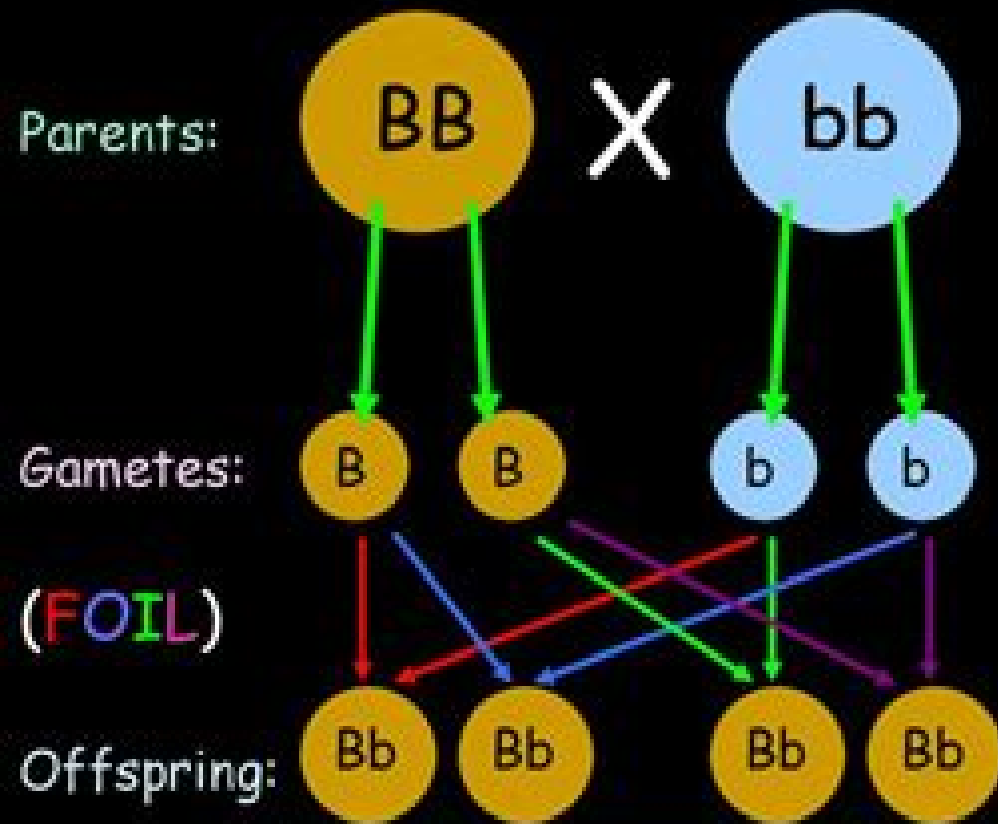


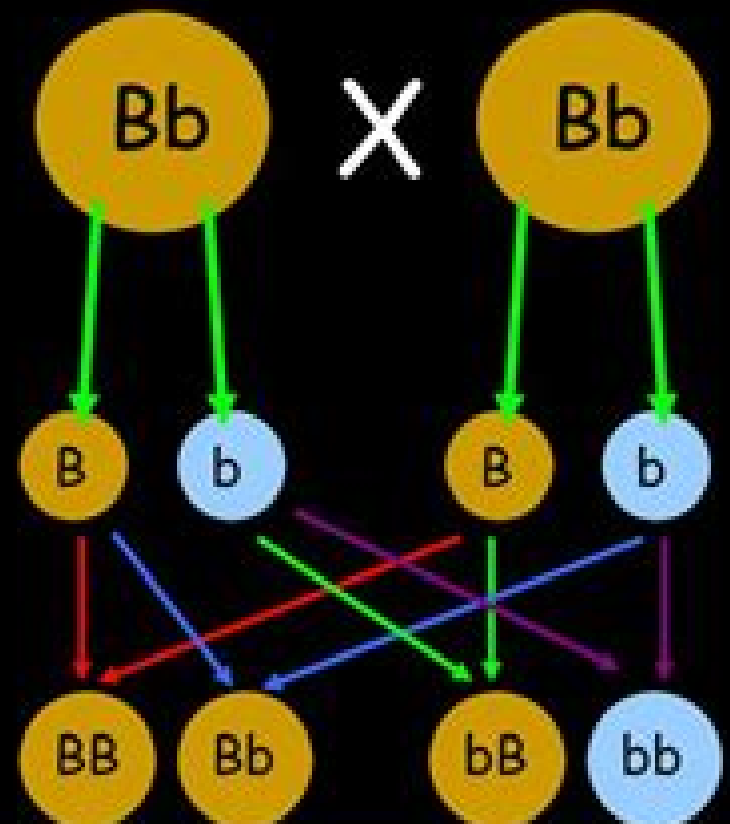
Eye colour

Example 1: A homozygous brown-eyed parent and a blue-eyed parent:



All offspring have brown eyes

Example 2: 2 heterozygous brown-eyed parents



25% chance of blue eyes

The Statistics Of Inheritance Bb Bb Bb

Terry C. Jones



The Statistics Of Inheritance Bb Bb Bb:

This book delves into The Statistics Of Inheritance Bb Bb Bb. The Statistics Of Inheritance Bb Bb Bb is a vital topic that must be grasped by everyone, from students and scholars to the general public. This book will furnish comprehensive and in-depth insights into The Statistics Of Inheritance Bb Bb Bb, encompassing both the fundamentals and more intricate discussions.

1. This book is structured into several chapters, namely:
 - Chapter 1: Introduction to The Statistics Of Inheritance Bb Bb Bb
 - Chapter 2: Essential Elements of The Statistics Of Inheritance Bb Bb Bb
 - Chapter 3: The Statistics Of Inheritance Bb Bb Bb in Everyday Life
 - Chapter 4: The Statistics Of Inheritance Bb Bb Bb in Specific Contexts
 - Chapter 5: Conclusion
2. In chapter 1, this book will provide an overview of The Statistics Of Inheritance Bb Bb Bb. This chapter will explore what The Statistics Of Inheritance Bb Bb Bb is, why The Statistics Of Inheritance Bb Bb Bb is vital, and how to effectively learn about The Statistics Of Inheritance Bb Bb Bb.
3. In chapter 2, the author will delve into the foundational concepts of The Statistics Of Inheritance Bb Bb Bb. The second chapter will elucidate the essential principles that need to be understood to grasp The Statistics Of Inheritance Bb Bb Bb in its entirety.
4. In chapter 3, the author will examine the practical applications of The Statistics Of Inheritance Bb Bb Bb in daily life. This chapter will showcase real-world examples of how The Statistics Of Inheritance Bb Bb Bb can be effectively utilized in everyday scenarios.
5. In chapter 4, the author will scrutinize the relevance of The Statistics Of Inheritance Bb Bb Bb in specific contexts. The fourth chapter will explore how The Statistics Of Inheritance Bb Bb Bb is applied in specialized fields, such as education, business, and technology.
6. In chapter 5, this book will draw a conclusion about The Statistics Of Inheritance Bb Bb Bb. The final chapter will summarize the key points that have been discussed throughout the book.

The book is crafted in an easy-to-understand language and is complemented by engaging illustrations. It is highly recommended for anyone seeking to gain a comprehensive understanding of The Statistics Of Inheritance Bb Bb Bb.

http://www.frostbox.com/About/publication/Download_PDFS/similarities%20between%20nfsas%20loan%20and%20other%20student%20loans.pdf

Table of Contents The Statistics Of Inheritance Bb Bb Bb

1. Understanding the eBook The Statistics Of Inheritance Bb Bb Bb
 - The Rise of Digital Reading The Statistics Of Inheritance Bb Bb Bb
 - Advantages of eBooks Over Traditional Books
2. Identifying The Statistics Of Inheritance Bb Bb Bb
 - Exploring Different Genres
 - Considering Fiction vs. Non-Fiction
 - Determining Your Reading Goals
3. Choosing the Right eBook Platform
 - Popular eBook Platforms
 - Features to Look for in an The Statistics Of Inheritance Bb Bb Bb
 - User-Friendly Interface
4. Exploring eBook Recommendations from The Statistics Of Inheritance Bb Bb Bb
 - Personalized Recommendations
 - The Statistics Of Inheritance Bb Bb Bb User Reviews and Ratings
 - The Statistics Of Inheritance Bb Bb Bb and Bestseller Lists
5. Accessing The Statistics Of Inheritance Bb Bb Bb Free and Paid eBooks
 - The Statistics Of Inheritance Bb Bb Bb Public Domain eBooks
 - The Statistics Of Inheritance Bb Bb Bb eBook Subscription Services
 - The Statistics Of Inheritance Bb Bb Bb Budget-Friendly Options
6. Navigating The Statistics Of Inheritance Bb Bb Bb eBook Formats
 - ePub, PDF, MOBI, and More
 - The Statistics Of Inheritance Bb Bb Bb Compatibility with Devices
 - The Statistics Of Inheritance Bb Bb Bb Enhanced eBook Features
7. Enhancing Your Reading Experience
 - Adjustable Fonts and Text Sizes of The Statistics Of Inheritance Bb Bb Bb
 - Highlighting and Note-Taking The Statistics Of Inheritance Bb Bb Bb
 - Interactive Elements The Statistics Of Inheritance Bb Bb Bb

8. Staying Engaged with The Statistics Of Inheritance Bb Bb Bb
 - Joining Online Reading Communities
 - Participating in Virtual Book Clubs
 - Following Authors and Publishers The Statistics Of Inheritance Bb Bb Bb
9. Balancing eBooks and Physical Books The Statistics Of Inheritance Bb Bb Bb
 - Benefits of a Digital Library
 - Creating a Diverse Reading Collection The Statistics Of Inheritance Bb Bb Bb
10. Overcoming Reading Challenges
 - Dealing with Digital Eye Strain
 - Minimizing Distractions
 - Managing Screen Time
11. Cultivating a Reading Routine The Statistics Of Inheritance Bb Bb Bb
 - Setting Reading Goals The Statistics Of Inheritance Bb Bb Bb
 - Carving Out Dedicated Reading Time
12. Sourcing Reliable Information of The Statistics Of Inheritance Bb Bb Bb
 - Fact-Checking eBook Content of The Statistics Of Inheritance Bb Bb Bb
 - Distinguishing Credible Sources
13. Promoting Lifelong Learning
 - Utilizing eBooks for Skill Development
 - Exploring Educational eBooks
14. Embracing eBook Trends
 - Integration of Multimedia Elements
 - Interactive and Gamified eBooks

The Statistics Of Inheritance Bb Bb Bb Introduction

In the digital age, access to information has become easier than ever before. The ability to download The Statistics Of Inheritance Bb Bb Bb has revolutionized the way we consume written content. Whether you are a student looking for course material, an avid reader searching for your next favorite book, or a professional seeking research papers, the option to download The Statistics Of Inheritance Bb Bb Bb has opened up a world of possibilities. Downloading The Statistics Of Inheritance Bb Bb Bb provides numerous advantages over physical copies of books and documents. Firstly, it is incredibly

convenient. Gone are the days of carrying around heavy textbooks or bulky folders filled with papers. With the click of a button, you can gain immediate access to valuable resources on any device. This convenience allows for efficient studying, researching, and reading on the go. Moreover, the cost-effective nature of downloading The Statistics Of Inheritance Bb Bb Bb has democratized knowledge. Traditional books and academic journals can be expensive, making it difficult for individuals with limited financial resources to access information. By offering free PDF downloads, publishers and authors are enabling a wider audience to benefit from their work. This inclusivity promotes equal opportunities for learning and personal growth. There are numerous websites and platforms where individuals can download The Statistics Of Inheritance Bb Bb Bb. These websites range from academic databases offering research papers and journals to online libraries with an expansive collection of books from various genres. Many authors and publishers also upload their work to specific websites, granting readers access to their content without any charge. These platforms not only provide access to existing literature but also serve as an excellent platform for undiscovered authors to share their work with the world. However, it is essential to be cautious while downloading The Statistics Of Inheritance Bb Bb Bb. Some websites may offer pirated or illegally obtained copies of copyrighted material. Engaging in such activities not only violates copyright laws but also undermines the efforts of authors, publishers, and researchers. To ensure ethical downloading, it is advisable to utilize reputable websites that prioritize the legal distribution of content. When downloading The Statistics Of Inheritance Bb Bb Bb, users should also consider the potential security risks associated with online platforms. Malicious actors may exploit vulnerabilities in unprotected websites to distribute malware or steal personal information. To protect themselves, individuals should ensure their devices have reliable antivirus software installed and validate the legitimacy of the websites they are downloading from. In conclusion, the ability to download The Statistics Of Inheritance Bb Bb Bb has transformed the way we access information. With the convenience, cost-effectiveness, and accessibility it offers, free PDF downloads have become a popular choice for students, researchers, and book lovers worldwide. However, it is crucial to engage in ethical downloading practices and prioritize personal security when utilizing online platforms. By doing so, individuals can make the most of the vast array of free PDF resources available and embark on a journey of continuous learning and intellectual growth.

FAQs About The Statistics Of Inheritance Bb Bb Bb Books

How do I know which eBook platform is the best for me? Finding the best eBook platform depends on your reading preferences and device compatibility. Research different platforms, read user reviews, and explore their features before making a choice. Are free eBooks of good quality? Yes, many reputable platforms offer high-quality free eBooks, including classics and public domain works. However, make sure to verify the source to ensure the eBook credibility. Can I read

eBooks without an eReader? Absolutely! Most eBook platforms offer webbased readers or mobile apps that allow you to read eBooks on your computer, tablet, or smartphone. How do I avoid digital eye strain while reading eBooks? To prevent digital eye strain, take regular breaks, adjust the font size and background color, and ensure proper lighting while reading eBooks. What the advantage of interactive eBooks? Interactive eBooks incorporate multimedia elements, quizzes, and activities, enhancing the reader engagement and providing a more immersive learning experience. The Statistics Of Inheritance Bb Bb Bb is one of the best book in our library for free trial. We provide copy of The Statistics Of Inheritance Bb Bb Bb in digital format, so the resources that you find are reliable. There are also many Ebooks of related with The Statistics Of Inheritance Bb Bb Bb. Where to download The Statistics Of Inheritance Bb Bb Bb online for free? Are you looking for The Statistics Of Inheritance Bb Bb Bb PDF? This is definitely going to save you time and cash in something you should think about. If you trying to find then search around for online. Without a doubt there are numerous these available and many of them have the freedom. However without doubt you receive whatever you purchase. An alternate way to get ideas is always to check another The Statistics Of Inheritance Bb Bb Bb. This method for see exactly what may be included and adopt these ideas to your book. This site will almost certainly help you save time and effort, money and stress. If you are looking for free books then you really should consider finding to assist you try this. Several of The Statistics Of Inheritance Bb Bb Bb are for sale to free while some are payable. If you arent sure if the books you would like to download works with for usage along with your computer, it is possible to download free trials. The free guides make it easy for someone to free access online library for download books to your device. You can get free download on free trial for lots of books categories. Our library is the biggest of these that have literally hundreds of thousands of different products categories represented. You will also see that there are specific sites catered to different product types or categories, brands or niches related with The Statistics Of Inheritance Bb Bb Bb. So depending on what exactly you are searching, you will be able to choose e books to suit your own need. Need to access completely for Campbell Biology Seventh Edition book? Access Ebook without any digging. And by having access to our ebook online or by storing it on your computer, you have convenient answers with The Statistics Of Inheritance Bb Bb Bb To get started finding The Statistics Of Inheritance Bb Bb Bb, you are right to find our website which has a comprehensive collection of books online. Our library is the biggest of these that have literally hundreds of thousands of different products represented. You will also see that there are specific sites catered to different categories or niches related with The Statistics Of Inheritance Bb Bb Bb So depending on what exactly you are searching, you will be able to choose ebook to suit your own need. Thank you for reading The Statistics Of Inheritance Bb Bb Bb. Maybe you have knowledge that, people have search numerous times for their favorite readings like this The Statistics Of Inheritance Bb Bb Bb, but end up in harmful downloads. Rather than reading a good book with a cup of coffee in the afternoon, instead they juggled with some harmful bugs inside their laptop. The Statistics Of Inheritance Bb Bb Bb is available in our book collection an online access to it is set as public so

you can download it instantly. Our digital library spans in multiple locations, allowing you to get the most less latency time to download any of our books like this one. Merely said, The Statistics Of Inheritance Bb Bb Bb is universally compatible with any devices to read.

Find The Statistics Of Inheritance Bb Bb Bb :

[similarities between nfsas loan and other student loans](#)

[similarities of study loan n nsfas](#)

~~[sigma-spectrum-infusion-pump-user-manual](#)~~

[silver cloud drink recipe](#)

simmilarities and differences between nsfas and other student loans

[simpletech nap usb236 160 storage owners manual](#)

simple life interns episode guide

simplicity 7016h manual

silverado service air bag

[simple recipe for french toast](#)

[silver king sk1imp owners manual](#)

[silver palate pumpernickle crouton recipe](#)

~~[silver king skrcb79 owners manual](#)~~

[silone avventura povero cristiano](#)

[similarity n different between nsfsa n funza lushaka](#)

The Statistics Of Inheritance Bb Bb Bb :

new habits new me a daily food and exercise journal - Oct 08 2022

web nov 4 2020 new habits new me a daily food and exercise journal designed by fitness experts to help you live your healthiest life track your goals workout weight loss bodybuilding and health fitness diva on amazon com free shipping on qualifying offers

new habits new me a daily food and exercise journal - Aug 18 2023

web new habits new me a daily food and exercise journal designed by fitness experts to help you live your healthiest life track your goals workout weight loss bodybuilding and health gear rimsports amazon com tr kitap

[daily wellness journal hello new me new habits new me a daily](#) - Jul 17 2023

web daily wellness journal hello new me new habits new me a daily food and exercise journal a 90 days sleep food water medication and exercise tracker willson anna mateo amazon com tr

new habits new me a daily food and exercise journ jennifer - Aug 06 2022

web new habits new me a daily food and exercise journ what you in the manner of to read hello new me fitness and food journal cute meal planner9 2020 02 07 track of what you eat prepare diet plans monitor your fast develop new habits and achieve your fitness goals with this cute illustrated food and fitness journal today gifts for mom

[new habits new me a daily food and exercise journal](#) - Mar 13 2023

web buy new habits new me a daily food and exercise journal designed by fitness experts to help you live your healthiest life track your goals workout weight loss bodybuilding and health by for example workout goups daily food and exercise isbn 9798655133587 from amazon s book store

new habits new me a daily food and exercise journal - Apr 14 2023

web jun 18 2020 new habits new me a daily food and exercise journal designed by fitness experts to help you live your healthiest life track your goals workout weight loss bodybuilding and health for example workout goups daily food and exercise on amazon com free shipping on qualifying offers

new habits new me a daily food and exercise journal - Feb 12 2023

web buy new habits new me a daily food and exercise journal designed by fitness experts to help you live your healthiest life track your goals workout weight loss bodybuilding and health by gear rimsports isbn 9781720249788 from amazon s book store everyday low prices and free delivery on eligible orders

loading interface goodreads - Jun 04 2022

web discover and share books you love on goodreads

new habits new me a daily food and exercise journal - Nov 09 2022

web jun 18 2020 new habits new me a daily food and exercise journal designed by fitness experts to help you live your healthiest life track your goals workout weight loss bodybuilding and health for example workout goups daily food and exercise 9798655133587 books amazon ca

new habits new me a daily food and exercise journal - Sep 19 2023

web new habits new me a daily food and exercise journal designed by fitness experts to help you live your healthiest life track your goals workout weight loss bodybuilding and health for example workout goups daily food and exercise amazon com tr kitap

r e a d new habits new me a daily food and exercise journal - Sep 07 2022

web may 8 2019 read new habits new me a daily food and exercise journal designed by fitness experts to help you live your healthiest life track your goals workout

hello new me a daily food and exercise journal to help you - Jan 11 2023

web hello new me a daily food and exercise journal to help you become the best version of yourself 90 days meal and activity tracker happy books hub 9781985865181 amazon com books books health fitness dieting diets weight loss enjoy fast free delivery exclusive deals and award winning movies tv shows with prime

hello new me a daily food and exercise journal to help you - Dec 10 2022

web buy hello new me a daily food and exercise journal to help you become the best version of yourself 90 days meal and activity tracker by happy books hub isbn 9781985865181 from amazon s book store everyday low

new habits new me a daily food and exercise journ life - Jul 05 2022

web computer new habits new me a daily food and exercise journ is reachable in our digital library an online permission to it is set as public appropriately you can download it instantly our digital library saves in complex countries allowing you to get the most less latency times to download any of our books similar to this one

new habits new me a daily food and exercise journal - May 15 2023

web sep 13 2018 new habits new me a daily food and exercise journal designed by fitness experts to help you live your healthiest life track your goals workout weight loss bodybuilding and health kindle edition by gear rimsports download it once and read it on your kindle device pc phones or tablets

6 daily habits to jumpstart the new year men s journal - May 03 2022

web apr 19 2021 instead of making a new year s resoluton incorporate these six daily habits now and reap the benefits for weeks months and years to come

new habits new me a daily food and exercise journal - Jun 16 2023

web sep 12 2018 new habits new me a daily food and exercise journal designed by fitness experts to help you live your healthiest life track your goals workout weight loss bodybuilding and health gear rimsports on amazon com free shipping on qualifying offers

livre du professeur management organisation terminale pdf - Sep 23 2021

web aug 6 2023 forts de l ouvrage une organisation des chapitres en fonction des thèmes et questions de gestion du programme à l issue de chacune des onze questions de

livre du professeur management organisation terminale ruforum - Oct 05 2022

web bureau management des organisations terminale stmg livre du professeur professeur comprennent les corrigés des activités et des exercices présents bts 2015

pdf livre du professeur management organisation terminale - May 12 2023

web pdf pdf livre de droit terminale stmg cooler master livre economie terminale stmg nathan corrigé le n 1 du de management des organisations et de sciences de

télécharger correction livre management terminale stmg nathan - Feb 26 2022

web pdf livre du professeur management organisation terminale 16 avr 2019 management des organisations tle stmg livre du avril 19th 2019 en correction

livre du professeur management organisation terminale - Jul 02 2022

web jul 29 2023 autour des 14 points de deming le guide de jean marc chanel dvoile une philosophie de management qui garantit la prennit et la prospirit partage entre toutes les

livre du professeur management des - Mar 10 2023

web jul 5 2013 select the department you want to search in

management sciences de gestion et numérique nathan - Jun 01 2022

web ce site présente la pochette nathan technique de management sciences de gestion numérique terminale stmg sciences et technologies du management et de la

mba l essentiel du management par les meilleurs professeurs - Nov 25 2021

web l essentiel du management par les meilleurs professeurs les meilleurs professeurs français de business se sont réunis pour réaliser un livre unique qui donne une vision

pdf livre du professeur management organisation terminale - Jun 13 2023

web pdf pdf livre du professeur management organisation terminale rims 16 avr 2019 stmg le livre du professeur contient un cours rédigé les corrigés de toutes les

management des organisations terminale stmg livre du - Aug 15 2023

web ce livre du professeur comporte les réponses à toutes les questions posées des compléments importants destinés à expliquer le choix des documents et leur pertinence

en situation management des organisations tle stmg livre - Jan 28 2022

web aug 8 2018 une large mise à jour de l ouvrage de management des organisations tle avec de nouvelles ouvertures de chapitre proposant des activités courtes et variées

livre du professeur management organisation terminale stmg pdf - Feb 09 2023

web livre du professeur management organisation terminale stmg pdf delagrave corrigé accompagnement en ligne 12 25 2019 management sciences de gestion et numérique

livre du professeur management organisation terminale - Apr 11 2023

web livre du professeur management organisation terminale is available in our digital library an online access to it is set as public so you can download it instantly our book

[management 1re stmg livre du professeur amazon fr](#) - Oct 25 2021

web management 1ère stmg réflexe professeur commun pochette manuel 2019 bayle caroline dugier hélène le ven xavier sardain emmanuelle le livre du

livre du professeur management des - Jul 14 2023

web jul 5 2013 buy livre du professeur management des organisations terminale stmg by 9782744624940 from amazon uk s books shop free delivery

livre du professeur management organisation terminale - Sep 04 2022

web aug 4 2023 this livre du professeur management organisation terminale but end happening in harmful downloads rather than enjoying a good ebook when a mug of

[livre du professeur management organisation terminale pdf](#) - Nov 06 2022

web aug 4 2023 livre du professeur management organisation terminale 1 6 downloaded from uniport edu ng on august 4 2023 by guest livre du professeur management

management sciences de gestion et numérique tle stmg - Aug 03 2022

web ce manuel permet d acquérir les bases de ce nouvel enseignement dédié au management et aux sciences de gestion enseignement commun prépare les élèves au nouveau

management le manuel complet du management amazon fr - Dec 27 2021

web retrouvez management le manuel complet du management et des millions de livres en stock sur amazon fr achetez neuf ou d occasion passer au contenu principal caroline

livre du professeur management des - Jan 08 2023

web livre du professeur management des organisations terminale stmg fichet evelyne amazon de bücher zum hauptinhalt wechseln de lieferung an

management sciences de gestion et numérique nathan - Apr 30 2022

web cet ouvrage pochette réflexe de management sciences de gestion et numérique tle stmg est découpé en 3 thèmes en conformité avec le programme il répond

pdf livre du professeur management organisation terminale - Dec 07 2022

web pdf pdf livre du professeur management organisation terminale stmg organisations tle stmg 2013 manuel manag 1e stmg poch ref l livre de l management

télécharger corrigé livre management terminale stmg delagrave - Mar 30 2022

web pdf livre du professeur management organisation terminale 2 jan 2021 professeur les croquis et schémas corrigés des fonds de carte management des

t c millî eđitim bakanlıđı - Jun 19 2023

oct 4 2023 bakan tekĭn erzurum da ÖĖrencilerle bĭrlĭkte gazze dekĭ saldirilarda Ölen Çocuklar İÇĭn saygi duruřunda bulundu

technical vocational and education training tvet 1 unesco - Dec 13 2022

technical and vocational education and training tvet is an important part of the education system with the aim of developing skilled workers for a country for developing countries including the technical vocational and education training tvet v moh ministry of health mohe ministry of higher education mohr ministry of human resource

initial vocational education and training traineeships - Apr 17 2023

the european training foundation etf would like to thank the management of the ministry of national education mone of the republic of turkey and staff of the directorate general of technical and vocational education and training of the mone for their support and advice during this project

ministry of national education turkey wikipedia - Jan 14 2023

the ministry of education of the turkish grand national assembly was in angora became known as ankara after 1923 and in english as such after 1930 the office of the ministry consists of the training council main service units counselling and inspection units and auxiliary units chairmanship of the occupational and technical training

vocational education and training ministry of education science - Feb 03 2022

the main priority for vocational education and training vet is to become an attractive and highly valued part of education and lifelong learning vet programmes are designed for learners of different ages and educational backgrounds

moevt - Aug 21 2023

the top management leaders of the ministry of education and vocational training zanzibar hon lela mohamed mussa the minister hon ali abdulgulam hussein deputy minister khamis abdalla said vocational training authority vta zanzibar higher education loan board zhelb karume institute of science and technology kist

ministry of education and vocational training gei - Aug 09 2022

the education and training policy of 1995 describes the main purpose of secondary education as to provide opportunities for learners to acquire essential knowledge skills and attitudes so that graduates can join professional training and institutions of higher

ministry of education and vocational training spain - Nov 12 2022

the ministry of education and vocational training is responsible for proposing and executing the government s policy on

education and vocational training in the education system and for employment this ministry has as a superior body the secretary of state for education

usaid partners with the ministry of education training to - Apr 05 2022

may 12 2023 following the potus visit to vietnam and the elevation of the u s vietnam comprehensive strategic partnership usaid and the ministry of education training vice minister hoang minh son met to discuss the new 5 year 15 5 million usaid higher education policy support project which will modernize and internationalize vietnam s higher education

ministry of education science technology and vocational training - Jun 07 2022

the ministry of education science technology and vocational training is a ministry of the tanzanian government responsible for the provision of education vocational training and policy on science and technology 1 history

ministry of education spain wikipedia - Oct 11 2022

the ministry of education and vocational training mefp is the department of the government of spain responsible for proposing and carrying out the government policy on education and vocational training including all the teachings of the education system except university education without prejudice to the competences of the national sports

technical and vocational education and training ministry of education - May 06 2022

technical education section vocational training section and folk development training section technical education section this section performs the following activities facilitate operationalization of the education and training policy as well as technical and vocational education and training development program

fierce competition threatens australia s future in international - Mar 04 2022

oct 19 2023 the recommendations include a 12 month pause by the vocational training regulator australian skills quality authority asqa to accredit new overseas student education providers and to require

türk eğitim vakfı vikipedi - Sep 10 2022

türk eğitim vakfı bu güçlükleri de yenecek ve sakıncaları ortadan kaldıracak geniş bir teşkilata sahiptir İlk hedef 1000 öğrenci bursuydu İlk yıl 119 öğrenciye burs verildi 1977 yılında 10 yılını kutlayan tev yurt içinde 4943 yurt dışında 146 burs sağlamıştı ankara İzmir bursa ve

ministry of education directorate of technical and vocational - Mar 16 2023

sharing workshop on the outcome of the pefop 2015 2022 and the future of iiep unesco dakar s support to vocational training in africa 01 june 2022 webinar on the results of two studies on the contextualization and adaptation of cba

cooperation protocol for the improvement of vocational and technical - Feb 15 2023

the ministry of national education and the ministry of culture and tourism signed a cooperation protocol for the improvement of vocational and technical education the protocol aims at making contribution to employment by responding to the qualified

labor force required in the tourism sector

future of vocational and technical education in turkey solid - Jul 20 2023

in this study we evaluate the future of vet in turkey in the light of the solid steps to strengthening the vet by mone in one year interval after release of education vision 2023 for that purpose vet system in high school level is presented briefly and actions by mone is evaluated in seven themes

t c millî eğitim bakanlığı - Sep 22 2023

a brief history of the ministry of national education the idea of conducting education and training services by the state was the first developed during the period of ii mahmut the education and training services that had been previously carried out by the foundations were transferred to maarif i umumiye nezareti on 17 march 1857

minister Özer shared vocational education - May 18 2023

building future ready vocational education and training system learning türkiye s experience in vocational education and training reform summit was organized in cooperation between the ministry of national education and oecd in İstanbul in order to share and review the vocational education reform achieved in türkiye

welcome ministry of education technological and vocational training - Jul 08 2022

the ministry of education technological and vocational training in collaboration with hodder education and republic bank barbados is pleased to 10 02 2023 online application form for 100 textbook grant