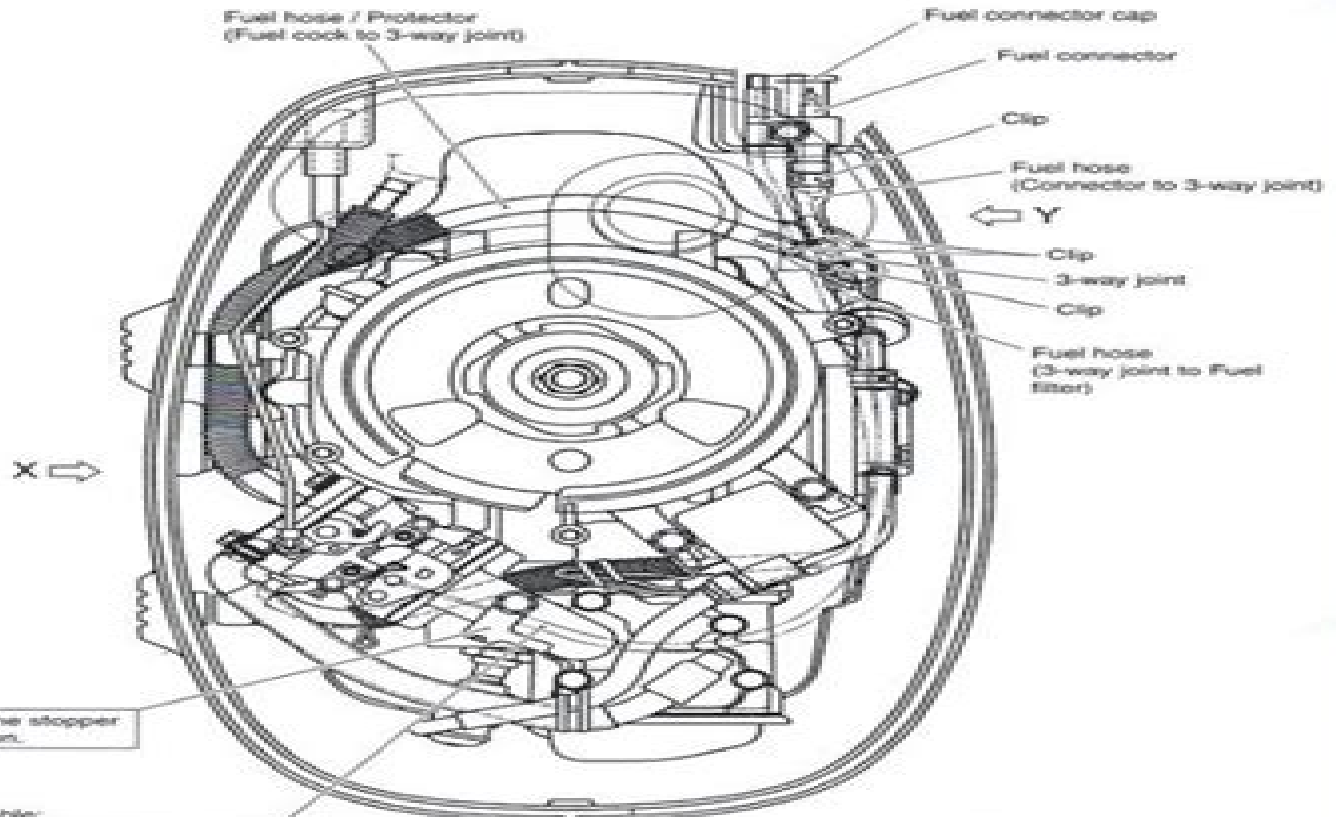


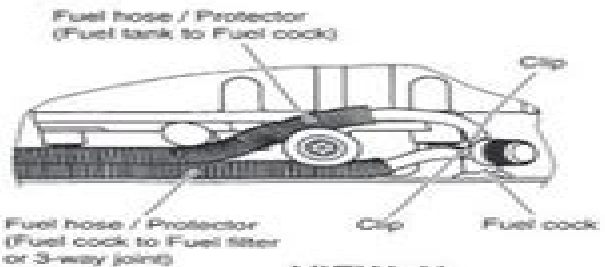
DF5



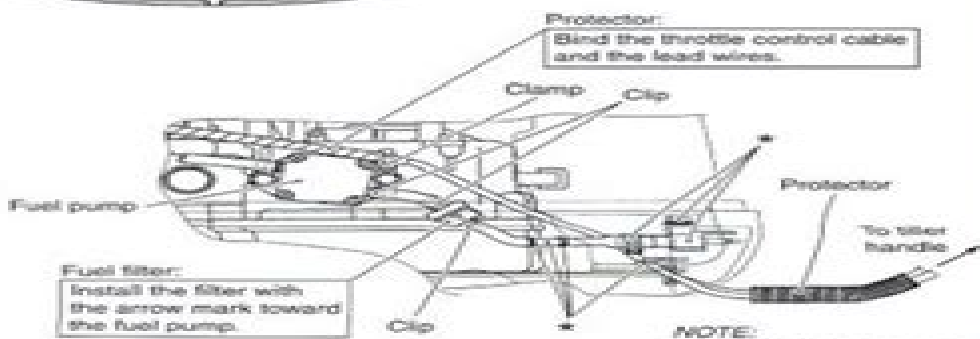
Cable stopper:
For DF5, install the stopper as shown direction.

Throttle control cable:
For DF5, install the cable to the inside slot on the intake manifold as shown.

Protector:
Bind the throttle control cable and the lead wires.



VIEW X



VIEW Y

NOTE:
Marked "*" items are only for DF5.

Suzuki Four Stroke Outboard Df4 Manual

N Colangelo



Suzuki Four Stroke Outboard Df4 Manual:

Yeah, reviewing a book **Suzuki Four Stroke Outboard Df4 Manual** could increase your near links listings. This is just one of the solutions for you to be successful. As understood, talent does not recommend that you have astounding points.

Comprehending as with ease as understanding even more than further will have the funds for each success. bordering to, the publication as skillfully as perception of this Suzuki Four Stroke Outboard Df4 Manual can be taken as capably as picked to act.

<http://www.frostbox.com/files/publication/HomePages/the%20sisterhood%20of%20the%20black%20pearl.pdf>

Table of Contents Suzuki Four Stroke Outboard Df4 Manual

1. Understanding the eBook Suzuki Four Stroke Outboard Df4 Manual
 - The Rise of Digital Reading Suzuki Four Stroke Outboard Df4 Manual
 - Advantages of eBooks Over Traditional Books
2. Identifying Suzuki Four Stroke Outboard Df4 Manual
 - Exploring Different Genres
 - Considering Fiction vs. Non-Fiction
 - Determining Your Reading Goals
3. Choosing the Right eBook Platform
 - Popular eBook Platforms
 - Features to Look for in an Suzuki Four Stroke Outboard Df4 Manual
 - User-Friendly Interface
4. Exploring eBook Recommendations from Suzuki Four Stroke Outboard Df4 Manual
 - Personalized Recommendations
 - Suzuki Four Stroke Outboard Df4 Manual User Reviews and Ratings
 - Suzuki Four Stroke Outboard Df4 Manual and Bestseller Lists
5. Accessing Suzuki Four Stroke Outboard Df4 Manual Free and Paid eBooks
 - Suzuki Four Stroke Outboard Df4 Manual Public Domain eBooks

- Suzuki Four Stroke Outboard Df4 Manual eBook Subscription Services
- Suzuki Four Stroke Outboard Df4 Manual Budget-Friendly Options
- 6. Navigating Suzuki Four Stroke Outboard Df4 Manual eBook Formats
 - ePub, PDF, MOBI, and More
 - Suzuki Four Stroke Outboard Df4 Manual Compatibility with Devices
 - Suzuki Four Stroke Outboard Df4 Manual Enhanced eBook Features
- 7. Enhancing Your Reading Experience
 - Adjustable Fonts and Text Sizes of Suzuki Four Stroke Outboard Df4 Manual
 - Highlighting and Note-Taking Suzuki Four Stroke Outboard Df4 Manual
 - Interactive Elements Suzuki Four Stroke Outboard Df4 Manual
- 8. Staying Engaged with Suzuki Four Stroke Outboard Df4 Manual
 - Joining Online Reading Communities
 - Participating in Virtual Book Clubs
 - Following Authors and Publishers Suzuki Four Stroke Outboard Df4 Manual
- 9. Balancing eBooks and Physical Books Suzuki Four Stroke Outboard Df4 Manual
 - Benefits of a Digital Library
 - Creating a Diverse Reading Collection Suzuki Four Stroke Outboard Df4 Manual
- 10. Overcoming Reading Challenges
 - Dealing with Digital Eye Strain
 - Minimizing Distractions
 - Managing Screen Time
- 11. Cultivating a Reading Routine Suzuki Four Stroke Outboard Df4 Manual
 - Setting Reading Goals Suzuki Four Stroke Outboard Df4 Manual
 - Carving Out Dedicated Reading Time
- 12. Sourcing Reliable Information of Suzuki Four Stroke Outboard Df4 Manual
 - Fact-Checking eBook Content of Suzuki Four Stroke Outboard Df4 Manual
 - Distinguishing Credible Sources
- 13. Promoting Lifelong Learning
 - Utilizing eBooks for Skill Development
 - Exploring Educational eBooks

14. Embracing eBook Trends

- Integration of Multimedia Elements
- Interactive and Gamified eBooks

Suzuki Four Stroke Outboard Df4 Manual Introduction

In the digital age, access to information has become easier than ever before. The ability to download Suzuki Four Stroke Outboard Df4 Manual has revolutionized the way we consume written content. Whether you are a student looking for course material, an avid reader searching for your next favorite book, or a professional seeking research papers, the option to download Suzuki Four Stroke Outboard Df4 Manual has opened up a world of possibilities. Downloading Suzuki Four Stroke Outboard Df4 Manual provides numerous advantages over physical copies of books and documents. Firstly, it is incredibly convenient. Gone are the days of carrying around heavy textbooks or bulky folders filled with papers. With the click of a button, you can gain immediate access to valuable resources on any device. This convenience allows for efficient studying, researching, and reading on the go. Moreover, the cost-effective nature of downloading Suzuki Four Stroke Outboard Df4 Manual has democratized knowledge. Traditional books and academic journals can be expensive, making it difficult for individuals with limited financial resources to access information. By offering free PDF downloads, publishers and authors are enabling a wider audience to benefit from their work. This inclusivity promotes equal opportunities for learning and personal growth. There are numerous websites and platforms where individuals can download Suzuki Four Stroke Outboard Df4 Manual. These websites range from academic databases offering research papers and journals to online libraries with an expansive collection of books from various genres. Many authors and publishers also upload their work to specific websites, granting readers access to their content without any charge. These platforms not only provide access to existing literature but also serve as an excellent platform for undiscovered authors to share their work with the world. However, it is essential to be cautious while downloading Suzuki Four Stroke Outboard Df4 Manual. Some websites may offer pirated or illegally obtained copies of copyrighted material. Engaging in such activities not only violates copyright laws but also undermines the efforts of authors, publishers, and researchers. To ensure ethical downloading, it is advisable to utilize reputable websites that prioritize the legal distribution of content. When downloading Suzuki Four Stroke Outboard Df4 Manual, users should also consider the potential security risks associated with online platforms. Malicious actors may exploit vulnerabilities in unprotected websites to distribute malware or steal personal information. To protect themselves, individuals should ensure their devices have reliable antivirus software installed and validate the legitimacy of the websites they are downloading from. In conclusion, the ability to download Suzuki Four Stroke Outboard Df4 Manual has transformed the way we access information. With the convenience, cost-effectiveness, and accessibility it offers, free PDF downloads have become a popular

choice for students, researchers, and book lovers worldwide. However, it is crucial to engage in ethical downloading practices and prioritize personal security when utilizing online platforms. By doing so, individuals can make the most of the vast array of free PDF resources available and embark on a journey of continuous learning and intellectual growth.

FAQs About Suzuki Four Stroke Outboard Df4 Manual Books

How do I know which eBook platform is the best for me? Finding the best eBook platform depends on your reading preferences and device compatibility. Research different platforms, read user reviews, and explore their features before making a choice. Are free eBooks of good quality? Yes, many reputable platforms offer high-quality free eBooks, including classics and public domain works. However, make sure to verify the source to ensure the eBook credibility. Can I read eBooks without an eReader? Absolutely! Most eBook platforms offer web-based readers or mobile apps that allow you to read eBooks on your computer, tablet, or smartphone. How do I avoid digital eye strain while reading eBooks? To prevent digital eye strain, take regular breaks, adjust the font size and background color, and ensure proper lighting while reading eBooks. What the advantage of interactive eBooks? Interactive eBooks incorporate multimedia elements, quizzes, and activities, enhancing the reader engagement and providing a more immersive learning experience. Suzuki Four Stroke Outboard Df4 Manual is one of the best book in our library for free trial. We provide copy of Suzuki Four Stroke Outboard Df4 Manual in digital format, so the resources that you find are reliable. There are also many Ebooks of related with Suzuki Four Stroke Outboard Df4 Manual. Where to download Suzuki Four Stroke Outboard Df4 Manual online for free? Are you looking for Suzuki Four Stroke Outboard Df4 Manual PDF? This is definitely going to save you time and cash in something you should think about.

Find Suzuki Four Stroke Outboard Df4 Manual :

the sisterhood of the black pearl

the substitute the wedding pact english edition

the story of wisconsin

the seventh day of light part one shadows volume 1

the source of the report definition has not been

the sheik and the pregnant bride

the taking of persephone part 2

the story behind americas zaniest college football game english edition

the shepherd left behind

the saint goes on the saint book 14

the seven inconvenient truths of business strategy

the spirit of movement how to become a true student

the secret speech english edition

the secrets of paradise bay urban renaissance

the stories of richard bausch

Suzuki Four Stroke Outboard Df4 Manual :

emergency neuro otology diagnosis and management of ac - Mar 02 2022

web aug 28 2015 the focus of this publication on neuro otology in neurologic clinics is on the patient present emergency neuro otology diagnosis and management of

emergency neuro otology diagnosis and management of acute - Apr 15 2023

web emergency neuro otology diagnosis and management of acute dizziness and vertigo editors david e newman toker kevin a kerber william j meurer

neuro otology diagnosis and management of neuro otological - Feb 01 2022

web apr 12 2015 clinically neuro otologists specialize in the evaluation and management of patients with dizziness or hearing symptoms dizziness is a term patients use to describe

emergency neuro otology diagnosis and management of acute - May 04 2022

web nov 12 2015 emergency neuro otology diagnosis and management of acute dizziness and vertigo an issue of neurologic clinics by david newman toker md david newman toker md read an excerpt of this book

emergency neuro otology diagnosis and management of acute - Jan 12 2023

web aug 20 2015 emergency neuro otology diagnosis and management of acute dizziness and vertigo an issue of neurologic clinics volume 33 3 the clinics

emergency neuro otology diagnosis and management of - Aug 07 2022

web aug 1 2015 request pdf on aug 1 2015 david e newman toker and others published emergency neuro otology diagnosis and management of acute dizziness and

emergency neuro otology diagnosis and management of acute - Jun 17 2023

web aug 6 2015 intent is to emphasize throughout the issue five primary components of initial diagnosis and management 1

epidemiology differential diagnosis and disease

emergency neuro otology diagnosis and management of acute - Mar 14 2023

web nov 12 2015 emergency neuro otology diagnosis and management of acute dizziness and vertigo an issue of neurologic clinics the focus of this publication on

emergency neuro otology diagnosis and management of - Apr 03 2022

web the digital and etextbook isbn for emergency neuro otology diagnosis and management of acute dizziness and vertigo an issue of neurologic clinics are

emergency neuro otology diagnosis and managemen - Aug 19 2023

web intent is to emphasize throughout the issue five primary components of initial diagnosis and management 1

epidemiology differential diagnosis and disease definitions 2 bedside clinical features that differentiate dangerous from benign causes 3 appropriate use of

emergency neuro otology diagnosis and management of acute - Sep 08 2022

web nov 12 2015 the focus of this publication on neuro otology in neurologic clinics is on the patient presenting for urgent or emergent care with a chief complaint of new

titrate a novel evidence based approach to diagnosing - Jul 06 2022

web abstract diagnosing dizziness can be challenging and the consequences of missing dangerous causes such as stroke can be substantial most physicians use a diagnostic paradigm developed more than 40 years ago that focuses on the type of dizziness but this approach is flawed

emergency neuro otology diagnosis and management o - Oct 29 2021

web neuro otology diagnosis and management o what you behind to read neurologic clinics emergency neuro otology diagnosis and management of acute dizziness

nöro oftalmoloji nöro otoloji türk nöroloji derneği - Nov 29 2021

web türk nöroloji derneği resmi bilgilendirme sitesidir Çalışma grupları nöro oftalmoloji nöro otoloji nöro oftalmoloji nöro otoloji

emergency neuro otology diagnosis and management of acute - May 16 2023

web emergency neuro otology diagnosis and management of acute dizziness and vertigo

emergency neuro otology diagnosis and management of acute - Feb 13 2023

web rakuten kobo dan david newman toker md tarafından emergency neuro otology diagnosis and management of acute dizziness and vertigo an issue of neurologic

emergency neuro otology diagnosis and management of acute - Dec 11 2022

web emergency neuro otology diagnosis and management of acute dizziness and vertigo by david newman toker 2015
elsevier health sciences division edition in english

emergency neuro otology diagnosis and management of acute - Oct 09 2022

web front cover emergency neuro otology diagnosis and management of acute dizziness and vertigo copyright contributors
contents forthcoming issues preface overview

neuro otologic emergencies a practical approach - Nov 10 2022

web nov 29 2019 neuro otologic symptoms have an extensive differential diagnosis including both benign and serious
conditions across multiple organ systems distinguishing between common self limiting conditions from serious conditions
that require emergency treatment is paramount

emergency neuro otology diagnosis and management of acute - Jun 05 2022

web emergency neuro otology book read reviews from world s largest community for readers the focus of this publication on
neuro otology in neurologic clini

emergency neuro otology diagnosis and management of acute - Dec 31 2021

web emergency neuro otology diagnosis and management of acute dizziness and vertigo an issue of neurologic clinics the
clinics radiology ebook newman toker david e amazon in kindle store

neurologic clinics emergency neuro otology diagnosis and - Jul 18 2023

web emergency neuro otology diagnosis and management of acute dizziness and vertigo edited by david e newman toker md
phd johns hopkins hospital baltimore md

syntaxe de la phrase anglaise licence master conc - Nov 24 2021

web may 19 2023 kindly say the syntaxe de la phrase anglaise licence master conc is universally compatible with any
devices to read watching the english kate fox 2005 04

syntaxe de la phrase anglaise licence master conc download - Jul 13 2023

web syntaxe de la phrase anglaise licence master conc syntaxe pratique de la langue française pour les anglais the phrase
phonology of english and french syntaxe de

syntaxe de la phrase anglaise licence master conc pdf - Dec 06 2022

web syntaxe de la phrase anglaise licence master conc 1 syntaxe de la phrase anglaise licence master conc noun phrase in
the generative perspective syntaxe

syntaxe de la phrase anglaise licence master conc - May 31 2022

web syntaxe de la phrase anglaise licence master conc downloaded from nc tmuniverse com by guest malik blaze outils pour
traduire français anglais pu

syntaxe de la phrase anglaise licence master conc - Oct 24 2021

web may 25 2023 *syntaxe de la phrase anglaise licence master conc* 1 12 downloaded from uniport edu ng on may 25 2023 by guest *syntaxe de la phrase anglaise*

syntaxe de la phrase anglaise licence master conc pdf - Jun 12 2023

web *syntaxe de la phrase anglaise licence master conc* *syntaxe de la phrase anglaise up et le verbe à particule en anglais contemporain prêt à réviser grammaire*

syntaxe de la phrase anglaise licence master conc - Sep 22 2021

web 2 *syntaxe de la phrase anglaise licence master conc* 2022 09 25 *syntaxe de la phrase anglaise licence master conc* downloaded from *doblespacio uchile cl*

syntaxe de la phrase anglaise licence maîtrise concours - Aug 14 2023

web sandrine oriez a publié en 2009 un premier manuel *syntaxe de la phrase anglaise aux pur afin d aider les étudiants de licence et les candidats aux concours*

syntaxe de la phrase anglaise licence master conc analytics - Sep 03 2022

web *syntaxe de la phrase anglaise licence master conc pdf* *syntaxe de la phrase anglaise licence master conc* 2 downloaded from *analytics test makestories io* on by

syntaxe de la phrase anglaise licence master conc download - Oct 04 2022

web *syntaxe de la phrase anglaise licence master conc traduction et analyse linguistique capes d anglais phraseology*

Éléments de linguistique anglaise *syntaxe simple à*

licence et master traduction anglaise linguee - Dec 26 2021

web de très nombreux exemples de phrases traduites contenant *licence et master dictionnaire anglais français et moteur de recherche de traductions anglaises*

syntaxe de la phrase anglaise licence master conc bexpert udh - Jul 01 2022

web *syntaxe de la phrase anglaise licence master conc* 1 *syntaxe de la phrase anglaise licence master conc* is available in our digital library an online access to it is

syntaxe de la phrase anglaise licence master conc pdf 2023 - Apr 29 2022

web il fournit les bases et les principes de la *syntaxe anglaise* dont les étudiants ont besoin pour les examens et concours dans l optique de la pré professionnalisation aux métiers

syntaxe de la phrase anglaise licence master conc download - Mar 29 2022

web *syntaxe de la phrase anglaise licence master conc apprendre et enseigner l anglais oral apr 07 2022* cet ouvrage permet de comprendre la structure de l anglais oral au

syntaxe de la phrase anglaise licence master conc pdf - Mar 09 2023

web 2 syntaxe de la phrase anglaise licence master conc 2022 07 27 contient aussi un glossaire qui constitue un raccourci vers la terminologie linguistique quinze versions et

[syntaxe de la phrase anglaise licence master concours](#) - Aug 02 2022

web syntaxe de la phrase anglaise licence master concours aux éditions pu de rennes ce manuel théorique et pratique s adresse aux étudiants de premier cycle universitaire aux

[syntaxe de la phrase anglaise licence master conc pdf](#) - Apr 10 2023

web syntaxe de la phrase anglaise licence master conc 1 syntaxe de la phrase anglaise licence master conc Éléments de linguistique anglaise the elliptical noun

syntaxe de la phrase anglaise licence master conc pdf - Feb 08 2023

web syntaxe de la phrase anglaise licence master conc vocabulaire systématique anglais français et guide de conversation anglaise outils pour traduire français anglais

syntaxe de la phrase anglaise licence master conc copy - Jan 07 2023

web syntaxe de la phrase anglaise licence master conc from np to dp the syntax and semantics of noun phrases le verbe anglais mode d emploi sentence and discourse

introduction amazon web services - Jan 27 2022

web il est indispensable en licence en master ou pour les concours d enseignement de savoir analyser syntaxiquement une phrase les étudiants pistes de lecture pour

syntaxe de la phrase anglaise licence master conc - Feb 25 2022

web 2 syntaxe de la phrase anglaise licence master conc 2022 11 14 with introductions and summaries exercises with quotations and excerpts from english american and

syntaxe de la phrase anglaise licence master conc pdf - May 11 2023

web syntaxe de la phrase anglaise licence master conc syntaxe de l anglais dépendances et niveaux de représentation en syntaxe up et le verbe à particule en

syntaxe de la phrase anglaise licence master conc pdf - Nov 05 2022

web apr 18 2023 merely said the syntaxe de la phrase anglaise licence master conc is universally compatible with any devices to read cultural heritage management in china

villa for sale by sacha guitry cbse class 9 explanation - Dec 08 2022

web answer 1 sell 2 money 3 favour 4 buying 5 enthusiastic 6 in laws 7 200 thousand francs 8 walks in 9 taking 10 strikes 11 two hundred thousand francs 12 keep

villa for sale summary in english by sacha guitry learn insta - Oct 06 2022

web 2 then stop being bored and buy one that will finish it we won t talk about it any more a who is speaking here and to whom i gaston to mrs al smith ii juliette to

ncert textbook villa for sale english class 9 pdf - Jan 09 2023

web jun 6 2020 question 1 copy and complete the following paragraph about the theme of the play using the clues given in the box below remember that there are more clues

study material and summary of villa for sale ncert class 9th - Apr 12 2023

web view all faqs on ncert textbook villa for sale english class 9 1 what is the summary of the story villa for sale in class 9 ncert textbook ans villa for sale

summary of villa for sale 400 words phdessay com - May 01 2022

web villa for sale drama question and answers drop the drama nov 20 2022 we all experience drama in one form or another whether it s relational conflicts financial

villa for sale extra questions and answers class 9 english - Dec 28 2021

villa for sale cbse notes for class 9 english literature reader - Jun 14 2023

web read and download cbse class 9 english drama villa for sale chapter in ncert book for class 9 english you can download latest ncert ebooks chapter wise in pdf format

ncert solutions for class 9 english literature chapter - Oct 18 2023

web nov 25 2014 answer the following questions briefly a why does jeanne want to buy a villa answer jeanne wants to buy the villa so that her parents can stay in it as well as

views and download pdf file studiestoday - Mar 11 2023

web may 10 2019 villa for sale by sacha guitry maid won t madame be sorry juliette not at all mind you if someone had bought it on the very day i placed it for sale then i might

copy of book cbse - Nov 26 2021

villa for sale interact in english literature reader literature - Jun 02 2022

web explain the drama villa for sale ask questions doubts problems and we will help you

mcq s with solutions villa for sale english class 9 edurev - Jul 03 2022

web 1 mrs alba protagonist of the drama a wealthy widow who wants to sell her villa to move to paris seems to be a proud and strong willed woman 2 romeo real estate agent

ncert solutions for class 9th ch 13 villa for sale english - Jul 15 2023

web mar 30 2015 31 mar 2015 study material of villa for sale summary character sketch and word meanings character sketch juliette she was a business lady and hard

explain the drama villa for sale homework help mycbseguide - Feb 27 2022

web drama unit 13 d 1 villa for sale by sacha guitry cbse discovered seen on the stage as the curtain is raised 95 1 if you could buy your dream house today what are some

ncert class 9 english drama textbook unit 12 villa for sale - Feb 10 2023

web this test paper with questions and answers for class 9 will be very useful for exams and help you to score good marks class 9 english worksheet for drama villa for sale

characters of the drama villa for sale edurev - Mar 31 2022

web villa for sale extra questions and answers short answer type answer the following questions briefly villa for sale question and answers pdf question 1 how did

cbse class 9 english drama villa for sale worksheet - Nov 07 2022

web answer a jeanne asks gaston not to joke this lady refers to juliette b on the principle of people who like children and haven't any can always go and live near a school c

read free villa for sale drama question and answers - Jan 29 2022

class 9 drama villa for sale summary explanation - Sep 17 2023

web mar 17 2017 villa for sale is an interesting play by sacha guitry it is a story of a villa which is for sale juliette the owner of the villa wants to dispose it off as soon as

class 9 english chapter 13 villa for sale ncert solutions - Sep 05 2022

web extra questions 9 villa for sale quiz vocabulary flashcards about the author summary themes plot important lines vocabulary back questions villa for sale

class 9 english literature reader villa for sale studyguide360 - Aug 04 2022

web may 28 2017 get essay help related questions on summary of villa for sale the main theme of villa for sale is the idea of loss and regret the story follows a family who

villa for sale extra questions and answers class 9 english - Aug 16 2023

web jun 5 2015 villa for sale drama by sacha guitry villa for sale class 9 in this video we have cover all question and answers from your book chapter villa for sale we hop

villa for sale drama by sacha guitry youtube - May 13 2023

web 107 jeanne well er it s a place where where one gathers gaston where one gathers what jeanne don t be aggravating
please if you don t want the house tell me