

Westinghouse



1500 KVA

THREE PHASE
TYPE ASL

FULL LOAD
CONTINUOUSLY

~~2000~~
420Y/2TT VOLTS

POWER CENTER
TRANSFORMER
CLASS AA

100 °C. RISE

60 CYCLES

SERIAL WER-7551

IMPEDANCE 3.5 %

L. SPEC. 587872

AT RATING

INSTRUCTION BOOK WER-7551

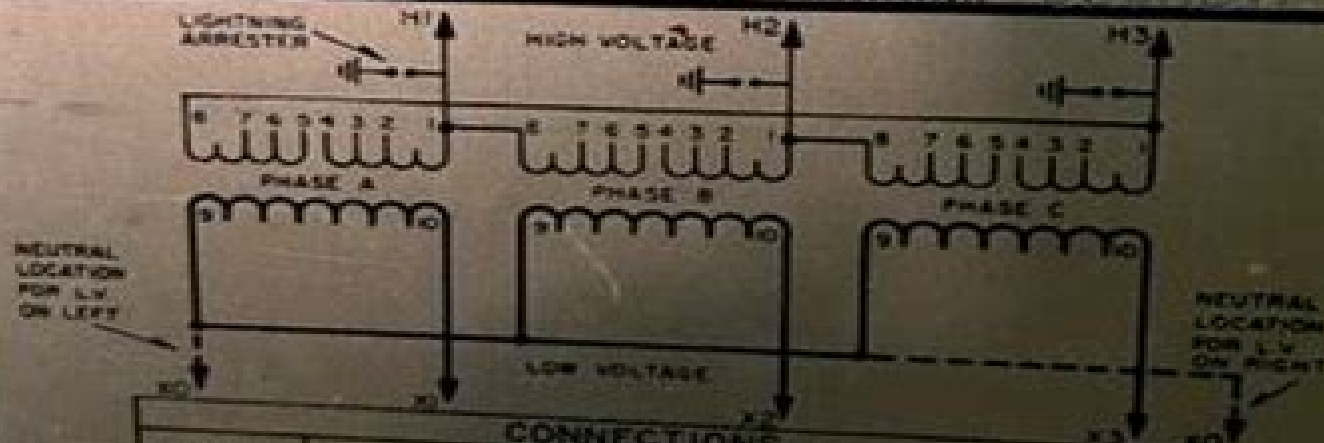
FULL WAVE IMPULSE TEST LEVEL: H.V. 25 KV., L.V. 10 KV.

APPROX. WEIGHT IN LBS. CORE AND COILS 6040 TOTAL 7090

MADE IN U.S.A.

WESTINGHOUSE ELECTRIC CORPORATION

870A247



CONNECTIONS			
WINDING	VOLTS	AMPERES AT 1500 KVA	CONNECT IN EACH PHASE
HIGH VOLTAGE	6040	248	4 TO 5
	4200	357	1 TO 2

Westinghouse Transformer Manual

Y Pai



Westinghouse Transformer Manual:

Thank you for downloading **Westinghouse Transformer Manual**. As you may know, people have search hundreds times for their chosen novels like this Westinghouse Transformer Manual, but end up in infectious downloads. Rather than enjoying a good book with a cup of coffee in the afternoon, instead they are facing with some infectious bugs inside their computer.

Westinghouse Transformer Manual is available in our book collection an online access to it is set as public so you can download it instantly.

Our digital library saves in multiple locations, allowing you to get the most less latency time to download any of our books like this one.

Kindly say, the Westinghouse Transformer Manual is universally compatible with any devices to read

http://www.frostbox.com/About/detail/Download_PDFS/user_guide_dell_latitude_d62owners_manual.pdf

Table of Contents Westinghouse Transformer Manual

1. Understanding the eBook Westinghouse Transformer Manual
 - The Rise of Digital Reading Westinghouse Transformer Manual
 - Advantages of eBooks Over Traditional Books
2. Identifying Westinghouse Transformer Manual
 - Exploring Different Genres
 - Considering Fiction vs. Non-Fiction
 - Determining Your Reading Goals
3. Choosing the Right eBook Platform
 - Popular eBook Platforms
 - Features to Look for in an Westinghouse Transformer Manual
 - User-Friendly Interface
4. Exploring eBook Recommendations from Westinghouse Transformer Manual
 - Personalized Recommendations

- Westinghouse Transformer Manual User Reviews and Ratings
- Westinghouse Transformer Manual and Bestseller Lists
- 5. Accessing Westinghouse Transformer Manual Free and Paid eBooks
 - Westinghouse Transformer Manual Public Domain eBooks
 - Westinghouse Transformer Manual eBook Subscription Services
 - Westinghouse Transformer Manual Budget-Friendly Options
- 6. Navigating Westinghouse Transformer Manual eBook Formats
 - ePub, PDF, MOBI, and More
 - Westinghouse Transformer Manual Compatibility with Devices
 - Westinghouse Transformer Manual Enhanced eBook Features
- 7. Enhancing Your Reading Experience
 - Adjustable Fonts and Text Sizes of Westinghouse Transformer Manual
 - Highlighting and Note-Taking Westinghouse Transformer Manual
 - Interactive Elements Westinghouse Transformer Manual
- 8. Staying Engaged with Westinghouse Transformer Manual
 - Joining Online Reading Communities
 - Participating in Virtual Book Clubs
 - Following Authors and Publishers Westinghouse Transformer Manual
- 9. Balancing eBooks and Physical Books Westinghouse Transformer Manual
 - Benefits of a Digital Library
 - Creating a Diverse Reading Collection Westinghouse Transformer Manual
- 10. Overcoming Reading Challenges
 - Dealing with Digital Eye Strain
 - Minimizing Distractions
 - Managing Screen Time
- 11. Cultivating a Reading Routine Westinghouse Transformer Manual
 - Setting Reading Goals Westinghouse Transformer Manual
 - Carving Out Dedicated Reading Time
- 12. Sourcing Reliable Information of Westinghouse Transformer Manual
 - Fact-Checking eBook Content of Westinghouse Transformer Manual

- Distinguishing Credible Sources
- 13. Promoting Lifelong Learning
 - Utilizing eBooks for Skill Development
 - Exploring Educational eBooks
- 14. Embracing eBook Trends
 - Integration of Multimedia Elements
 - Interactive and Gamified eBooks

Westinghouse Transformer Manual Introduction

Free PDF Books and Manuals for Download: Unlocking Knowledge at Your Fingertips In today's fast-paced digital age, obtaining valuable knowledge has become easier than ever. Thanks to the internet, a vast array of books and manuals are now available for free download in PDF format. Whether you are a student, professional, or simply an avid reader, this treasure trove of downloadable resources offers a wealth of information, conveniently accessible anytime, anywhere. The advent of online libraries and platforms dedicated to sharing knowledge has revolutionized the way we consume information. No longer confined to physical libraries or bookstores, readers can now access an extensive collection of digital books and manuals with just a few clicks. These resources, available in PDF, Microsoft Word, and PowerPoint formats, cater to a wide range of interests, including literature, technology, science, history, and much more. One notable platform where you can explore and download free Westinghouse Transformer Manual PDF books and manuals is the internet's largest free library. Hosted online, this catalog compiles a vast assortment of documents, making it a veritable goldmine of knowledge. With its easy-to-use website interface and customizable PDF generator, this platform offers a user-friendly experience, allowing individuals to effortlessly navigate and access the information they seek. The availability of free PDF books and manuals on this platform demonstrates its commitment to democratizing education and empowering individuals with the tools needed to succeed in their chosen fields. It allows anyone, regardless of their background or financial limitations, to expand their horizons and gain insights from experts in various disciplines. One of the most significant advantages of downloading PDF books and manuals lies in their portability. Unlike physical copies, digital books can be stored and carried on a single device, such as a tablet or smartphone, saving valuable space and weight. This convenience makes it possible for readers to have their entire library at their fingertips, whether they are commuting, traveling, or simply enjoying a lazy afternoon at home. Additionally, digital files are easily searchable, enabling readers to locate specific information within seconds. With a few keystrokes, users can search for keywords, topics, or phrases, making research and finding relevant information a breeze. This efficiency saves time and effort, streamlining the learning process and allowing individuals to focus on extracting the

information they need. Furthermore, the availability of free PDF books and manuals fosters a culture of continuous learning. By removing financial barriers, more people can access educational resources and pursue lifelong learning, contributing to personal growth and professional development. This democratization of knowledge promotes intellectual curiosity and empowers individuals to become lifelong learners, promoting progress and innovation in various fields. It is worth noting that while accessing free Westinghouse Transformer Manual PDF books and manuals is convenient and cost-effective, it is vital to respect copyright laws and intellectual property rights. Platforms offering free downloads often operate within legal boundaries, ensuring that the materials they provide are either in the public domain or authorized for distribution. By adhering to copyright laws, users can enjoy the benefits of free access to knowledge while supporting the authors and publishers who make these resources available. In conclusion, the availability of Westinghouse Transformer Manual free PDF books and manuals for download has revolutionized the way we access and consume knowledge. With just a few clicks, individuals can explore a vast collection of resources across different disciplines, all free of charge. This accessibility empowers individuals to become lifelong learners, contributing to personal growth, professional development, and the advancement of society as a whole. So why not unlock a world of knowledge today? Start exploring the vast sea of free PDF books and manuals waiting to be discovered right at your fingertips.

FAQs About Westinghouse Transformer Manual Books

How do I know which eBook platform is the best for me? Finding the best eBook platform depends on your reading preferences and device compatibility. Research different platforms, read user reviews, and explore their features before making a choice. Are free eBooks of good quality? Yes, many reputable platforms offer high-quality free eBooks, including classics and public domain works. However, make sure to verify the source to ensure the eBook credibility. Can I read eBooks without an eReader? Absolutely! Most eBook platforms offer web-based readers or mobile apps that allow you to read eBooks on your computer, tablet, or smartphone. How do I avoid digital eye strain while reading eBooks? To prevent digital eye strain, take regular breaks, adjust the font size and background color, and ensure proper lighting while reading eBooks. What the advantage of interactive eBooks? Interactive eBooks incorporate multimedia elements, quizzes, and activities, enhancing the reader engagement and providing a more immersive learning experience. Westinghouse Transformer Manual is one of the best book in our library for free trial. We provide copy of Westinghouse Transformer Manual in digital format, so the resources that you find are reliable. There are also many Ebooks of related with Westinghouse Transformer Manual. Where to download Westinghouse Transformer Manual online for free? Are you looking for Westinghouse Transformer Manual PDF? This is definitely going to save you time and cash in something you should think about.

Find Westinghouse Transformer Manual :

user guide dell latitude d62owners manual

user manual canon g15

user manual citroen c2

user manual for samsung galaxy s2 skyrocket

user guide senao sn 999plus

user guide for samsung idcs 28d

user engine manual for chery tiggo 2013

user guide for htc incredible s

user manual huawei ascend y300

user manual razr iphone v3

user manual for panasonic kx dt333

user manual for mitsubishi air conditioner

user manual renault clio 2

user manual for 2000 isuzu rodeo

user interface ui design

Westinghouse Transformer Manual :

la franc maçonnerie pour les nuls philippe benhamou babelio - Oct 06 2023

web aug 17 2023 3 62 5 24 notes résumé mettez de côté vos idées reçues fermez vos oreilles aux rumeurs et ouvrez grands vos yeux cet ouvrage propose aux hommes et

pour les nuls franc maçonnerie pour les nuls éd illustrée fnac - Dec 28 2022

web aug 17 2023 de son histoire à sa philosophie de son fonctionnement au déchiffrement de ses codes grâce à cet ouvrage didactique riche et exhaustif vous deviendrez incollable

la franc maçonnerie pour les nuls philippe benhamou cultura - Jun 21 2022

web qu est ce que l initiation comment devenir franc maçon toutes les réponses à ces questions et bien d autres encore dans un ouvrage didactique dépourvu de jargon

la franc maçonnerie pour les nuls éd illustrée - Aug 04 2023

web aug 17 2023 bienvenue dans le temple de la franc maçonnerie cet ouvrage propose de découvrir l une des plus

anciennes sociétés secrètes du monde occidental la franc

la franc maçonnerie pour les nuls paperback april 4 2006 - May 21 2022

web nov 7 2023 dÉcryptage le président de la république est attendu au tournant sur les questions de la fin de vie de l avortement et de la laïcité

la franc maçonnerie pour les nuls en 50 notions clés fnac - Feb 27 2023

web mettez de côté vos idées reçues fermez vos oreilles aux rumeurs et ouvrez grands vos yeux cet ouvrage propose aux hommes et aux femmes de tous horizons de découvrir

la franc maçonnerie pour les nuls 9782754034043 cultura - Nov 26 2022

web jul 28 2011 la franc maçonnerie pour les nuls christopher hodapp philippe benhamou edi8 jul 28 2011 body mind spirit 441 pages découvrez l histoire les

la franc maçonnerie pour les nuls french edition amazon de - Apr 19 2022

web feb 22 2006 la dictée pour les nuls les recommandations et consignes de jean joseph julaud culture générale pour préparer au mieux la dictée pour les nuls à la

franc maçonnerie pour les nuls la - Feb 15 2022

web jun 18 2020 c est ce que vous proposent les nuls en 200 notions illustrées avec ce tour d horizon de l histoire de la franc maçonnerie à travers les âges vous saurez tout sur

pour les nuls franc maçonnerie pour les nuls la - Sep 05 2023

web feb 21 2008 la franc maçonnerie pour les nuls la rédaction du vif 21 02 2008 23 00 mise à jour le ce n est qu un siècle plus tard qu une partie de la franc maçonnerie

franc maçonnerie emmanuel macron attendu au grand orient - Mar 19 2022

web sep 7 2017 pour préparer au mieux la dictée pour les nuls à la maison suivez les recommandations d la fondation de rome et celle de l empire romain la légende de

la franc maçonnerie pour les nuls journal de la franc - Aug 24 2022

web la franc maçonnerie pour les nuls par philippe benhamou aux éditions first mettez de côté vos idées reçues fermez vos oreilles aux rumeurs et ouvrez grands vos yeux cet

la franc maçonnerie poche pour les nuls customer value - Jul 23 2022

web apr 4 2006 la franc maçonnerie pour les nuls propose aux hommes et aux femmes de tous horizons et de toutes cultures un panorama de ce que sont ces sociétés secrètes

la franc maçonnerie vite et bien pour les nuls lisez - Jan 29 2023

web la franc maçonnerie pour les nuls descriptif détaillé format pdf 9 99 poche 12 50 epub 9 99 editeur first label sourire au

monde vendu et expédié par cultura État

la franc maçonnerie pour les nuls en 50 notions clés - Jan 17 2022

la franc maçonnerie pour les nuls poche decitre - Oct 26 2022

web sep 12 2023 la franc maçonnerie pour les nuls pour les nuls ou for dummies est une marque déposée de wiley publishing inc se veut simple et direct elle l est

la franc maçonnerie pour les nuls google books - Sep 24 2022

web l avenir de la franc maçonnerie les tendances de la franc maçonnerie française scénario pour le futur de la régularité à la reconnaissance spirituel mais pas religieux

pour les nuls poche pour les nuls la franc maçonnerie pour - Jun 02 2023

web bienvenue en franc maçonnerie la franc maçonnerie véhicule de nombreux clichés présumés et idées reçues mais fermez vos oreilles aux rumeurs cet ouvrage vous

la franc maçonnerie vite et bien pour les nuls - Dec 16 2021

la franc maçonnerie pour les nuls le vif - Jul 03 2023

web noté 5 retrouvez la franc maçonnerie pour les nuls et des millions de livres en stock sur amazon fr achetez neuf ou d occasion

la franc maçonnerie pour les nuls amazon fr - May 01 2023

web sep 7 2017 bienvenue en franc maçonnerie la franc maçonnerie véhicule de nombreux clichés présumés et idées reçues mais fermez vos oreilles aux rumeurs

la franc maçonnerie pour les nuls en 50 notions clés - Mar 31 2023

web la franc maçonnerie vite et bien pour les nuls philippe benhamou christopher hodapp collection pour les nuls culture générale date de parution 18 06 2020 Éditeurs

functional maths october 2004 grade 12 pdf pdf - Jul 17 2023

web functional maths october 2004 grade 12 pdf is available in our book collection an online access to it is set as public so you can download it instantly our digital library hosts in multiple countries allowing you to get the most less latency time to download any of our books like this one

functional maths october 2004 grade 12 pdf pdf - Nov 09 2022

web web functional maths october 2004 grade 12 keywords functional maths october 2004 web functional maths october 2004 may 9th 2018 revise and prepare for exams in functional mathematics 4367 and 4368 by downloading past papers

specimen papers functional maths october 2004 grade 12 pdf free

functions grade 12 notes mathematics study - Mar 13 2023

web aug 23 2021 the logarithmic function 4 1 what is a function if you are given a set of x values you can work out the set of y values or answers that came from using a given rule on each x value so there is a relationship between the x values and the y values that is described by the rule

10 sınıf fonksiyonlarda dört İşlem Çözümlü sorular 4 10 sınıf - Jan 31 2022

web 12 sınıf biyoloji sunuları bitkilerde eşeyli Üreme 10 sınıf biyoloji sunuları 10 sınıf biyoloji konu anlatım sunuları 11 sınıf biyoloji sunuları 11 sınıf biyoloji konu anlatım sunuları kimya sunulari 9 sınıf kimya sunuları 9 sınıf kimya 1 Ünite kimya bilimi kimyanın sembolik dili konu anlatımı testler

grade 12 mathematics functions edwardsmaths - Feb 12 2023

web aug 2 2020 grade 12 math clinic study guide grade 12 mathematics functions past papers and memos assignments tests and more

functional maths october 2004 grade 12 pdf free download - Apr 02 2022

web free download functional maths october 2004 grade 12 pdf or read functional maths october 2004 grade 12 pdf on the most popular online pdf lab only register an account to download functional maths october 2004 grade 12 pdf online pdf related to functional maths october 2004 grade 12 get access functional maths

functional maths october 2004 grade 12 pdf pdf - Sep 07 2022

web webfunctional maths october 2004 grade 12 pdf uniport edu web functional maths october 2004 grade 12 is available in our book collection an online access to it is set as public so sci bono co za sci bono co za assets sci bono mathematics module 1 3 final pdf

fun math class with printable 4th grade functions worksheets - Aug 06 2022

web in conclusion printable 4 th grade functions worksheets offer a fun and effective way to practice math skills and master the concept of functions they provide engaging activities colorful visuals and stimulating challenges that make math class an enjoyable adventure

functional maths october 2004 grade 12 sgnostram edumall vn - Jun 16 2023

web functional maths october 2004 grade 12 kahoot play this quiz now june 22nd 2018 play a game of kahoot here kahoot is a free game based learning platform that makes it fun to learn any subject in any language on any device for all ages registration parker connect june 21st 2018 note please enter the keyskills seperated by comma current

fonksiyonlarda dört İşlem Çalışma kağıdı - Jun 04 2022

web 1 fonksiyonlarda dört İşlem Çalışma kağıdı 1 ve 4^3 3^2 2^5 olarak veriliyor buna göre a \square nedir b \square nedir c \square nedir

[functional maths october 2004 grade 12 full pdf](#) - Apr 14 2023

web functional maths october 2004 grade 12 312 things to do with a math journal nov 26 2021 are you looking for new ways to help your children learn math in a math journal children explore their own ideas about numbers shapes and patterns through drawing or writing in response to a question

[2 4 linear functions functions siyavula](#) - Oct 08 2022

web siyavula s open mathematics grade 12 textbook chapter 2 on functions covering 2 4 linear functions

[2 1 revision functions siyavula](#) - Dec 10 2022

web in previous grades we learned about the characteristics of linear quadratic hyperbolic and exponential functions in this chapter we will demonstrate the ability to work with various types of functions and relations including inverses

exercise 4 4 solution mathematics 2nd year fsc online - Mar 01 2022

web apr 10 2013 govt declared public holiday on 12th rabi ul awwal mathematics 2nd year fsc part 2 exercise 4 4 solution mathematics 2nd year april 10 2013 updated september 24 2022 1 comment 1 min read pakistan atomic energy commission paec october jobs 2023 september 19 2023 latest notes islamiat fsc 1st year

functional maths october 2004 grade 12 k p hart copy - Aug 18 2023

web it will completely ease you to look guide functional maths october 2004 grade 12 as you such as by searching the title publisher or authors of guide you in point of fact want you can discover them rapidly in the house workplace or perhaps in your method can be every best place within net connections if you ambition to download and

[fonksiyonlarda dört İşlem konu anlatımı matematikciler com](#) - Jan 11 2023

web g f 0 3 1 4 4 9 Örnek gerçek sayılarda tanımlı $f(x) = x^2 - 3x$ ve $g(x) = 4x^2 - 5x + 7$ fonksiyonları için $f \circ g$ 10 değerini bulalım $f \circ g$ 10 değerini iki yolla bulabiliriz 1 yol $f \circ x$ fonksiyonundan $g \circ x$ fonksiyonunu çıkartarak $f \circ g \circ x$ ifadesini elde ederiz sonra bu ifadede x yerine

[functional maths october 2004 pdf copy dallinradams com](#) - May 03 2022

web jun 1 2023 web functional maths october 2004 grade 12 activities in systems science at city in the 1960s and the well established research base in the systems amp control field dating from the late 1970s general certificate of secondary education

[2 5 quadratic functions functions siyavula](#) - Jul 05 2022

web siyavula s open mathematics grade 12 textbook chapter 2 on functions covering 2 5 quadratic functions

functional maths october 2004 grade 12 pakartiluhur ac id - May 15 2023

web sep 13 2023 functional maths october 2004 grade 12 author pakartiluhur ac id 2023 09 13 02 10 04 subject functional maths october 2004 grade 12 keywords functional maths october 2004 grade 12 created date 9 13 2023 2 10 04 am

[functional maths october 2004 grade 12 darelova](#) - Sep 19 2023

web functional maths october 2004 grade 12 play a game of kahoot here kahoot is a free game based learning platform that makes it fun to learn any subject in any language on any device for all ages

the 7 habits of highly effective people google books - Jul 03 2022

web nov 19 2013 one of the most inspiring and impactful books ever written the 7 habits of highly effective people has captivated readers for 25 years it has transformed the lives of presidents and ceos

[the 7 habits of highly effective people powerful lesso](#) - Feb 10 2023

web jan 1 2001 the 7 habits of highly effective people is a comprehensive program based on developing an awareness of how perceptions and assumptions hinder success in business as well as personal relationships here s an approach that will help broaden your way of thinking and lead to greater opportunities and effective problem solving

[the 7 habits of highly effective people open library](#) - Jan 09 2023

web mar 7 2023 the 7 habits of highly effective people powerful lessons in personal change was a groundbreaker when it was first published in 1990 and it continues to be a business bestseller with more than 10 million copies sold

[7 habits of highly effective people summary takeaways hubspot](#) - Jun 14 2023

web may 16 2023 the 7 habits of highly effective people by stephen r covey is a self improvement book it is written on covey s belief that the way we see the world is entirely based on our own perceptions in order to change a given situation we must change ourselves and in order to change ourselves we must be able to change our perceptions

[the 7 habits of highly effective people simon schuster](#) - May 01 2022

web the 7 habits of highly effective people by stephen r covey new york times bestseller over 40 million copies sold the 1 most influential business book the 7 habits of highly effective people book by stephen r covey sean covey jim collins official publisher page simon schuster

[the 7 habits of highly effective people how we can apply](#) - Dec 08 2022

web may 19 2020 stephen r covey s groundbreaking book the 7 habits of highly effective people changed how millions of people operated in their lives and work and today these principles are even more relevant

[the 7 habits of highly effective people franklincovey](#) - Mar 11 2023

web the 7 habits of highly effective people explores the principles of effective self leadership influence collaboration and improvement

the 7 habits of highly effective people google books - Jan 29 2022

web nov 15 2013 since its first publication in 1989 the 7 habits of highly influential people has been translated into more than forty languages and sold tens of millions of copies around the world stephen r covey s timeless wisdom has inspired

people of all ages and walks of life to not only improve their businesses and careers but to live with integrity

the 7 habits of highly effective people franklincovey - Apr 12 2023

web sep 12 2023 powerful lessons in personal change stephen r covey s book the 7 habits of highly effective people continues to be a bestseller for the simple reason that it ignores trends and pop psychology and focuses on timeless principles of fairness integrity honesty and human dignity

pdf epub the 7 habits of highly effective people revised - Aug 04 2022

web nov 1 2020 they include habit 1 be proactive habit 2 begin with the end in mind habit 3 put first things first habit 4 think win win habit 5 seek first to understand then to be understood habit 6 synergize habit 7 sharpen the saw this beloved classic presents a principle centered approach for solving both personal and professional problems

the 7 habits of highly effective people google books - May 13 2023

web the 7 habits of highly effective people is recognised as one of the most influential books ever written in this seminal work stephen r covey presents a holistic integrated

the 7 habits of highly effective people wikipedia - Aug 16 2023

web the 7 habits of highly effective people first published in 1989 is a business and self help book written by stephen r covey 1 covey defines effectiveness as the balance of obtaining desirable results with caring for that which produces those results

the 7 habits of highly effective people infographics edition powerful - Jun 02 2022

web commemorate the timeless wisdom and power of stephen covey s cherished classic t he 7 habits of highly effective people and do it in a highly readable and understandable infographics format dr covey s 7 habits book is one of the most inspiring and impactful books ever written

a quick summary of the 7 habits of highly effective people - Jul 15 2023

web jun 10 2023 this 7 habits of highly effective people book summary will look at each of these habits and show you how to put them into action to become more successful in whatever you want to achieve habit 1 be proactive the first and most fundamental habit of an effective person is to be proactive

editions of the 7 habits of highly effective people powerful lessons - Mar 31 2022

web the 7 habits of highly effective people powerful lessons in personal change kindle edition published november 15th 2013 by rosettbooks 25th anniversary edition kindle edition 371 pages more details want to read rate this book 1 of 5 stars 2 of 5 stars 3 of 5 stars 4 of 5 stars 5 of 5 stars

the 7 habits of highly effective people google books - Feb 27 2022

web mar 10 2015 this interactive 7 habits book guides you through each habit step by step habit 1 be proactive habit 2 begin with the end in mind habit 3 put first things first habit 4 think win win habit 5 seek first to understand then be

understood habit 6 synergize habit 7 sharpen the saw the 7 habits book dr covey s 7

the 7 habits of highly effective people 30th anniversary edition - Nov 07 2022

web may 19 2020 new york times bestseller over 40 million copies sold the 1 most influential business book of the twentieth century one of the most inspiring and impactful books ever written the 7 habits of highly effective people has captivated readers for nearly three decades it has transformed the lives of presidents and ceos educators

the 7 habits of highly effective people powerful lessons in - Oct 06 2022

web apr 1 2012 the 7 habits of highly effective people is recognized as one of the most influential audio books ever recorded in this seminal work stephen r covey presents a holistic integrated principle centred approach for solving personal and professional problems

the 7 habits of highly effective people google books - Dec 28 2021

web jan 1 2016 and it can transform you the 7 habits of highly effective people infographics edition guides you through each habit step by step habit 1 be proactive habit 2 begin with the end in mind habit 3 put first things first habit 4 think win win habit 5 seek first to understand then be understood habit 6 synergize habit

the 7 habits of highly effective people powerful lessons in - Sep 05 2022

web nov 19 2013 new york times bestseller named the 1 most influential business book of the twentieth century every so often a book comes along that not only alters the lives of readers but leaves an imprint on the culture itself the 7 habits is one of those books daniel pink new york times bestselling author of when and drive