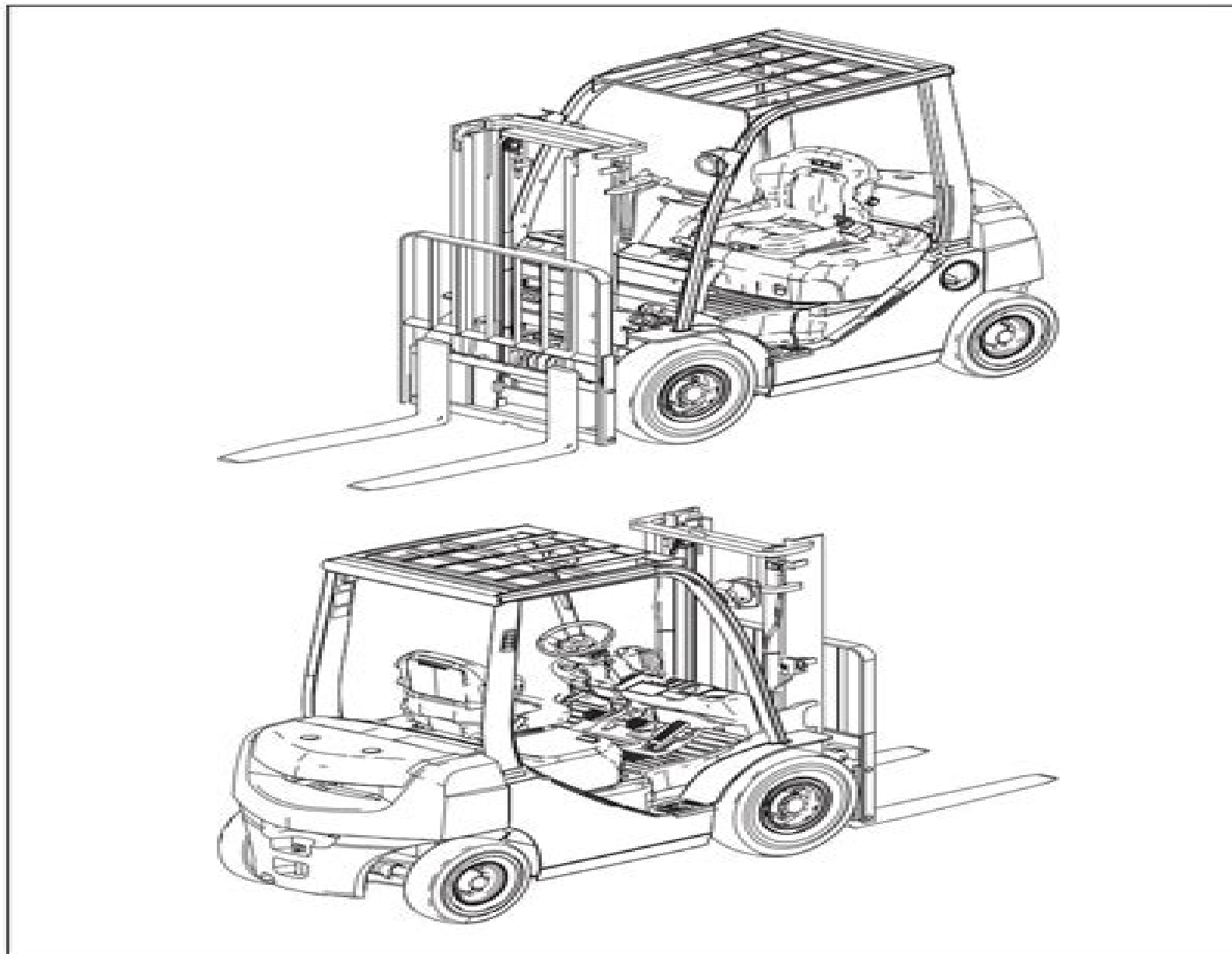


# EXTERIOR VIEWS



# Toyota 8fdu25 Manual

**E Durkheim**



## **Toyota 8fdu25 Manual:**

January 2024 - Surplus Record Machinery & Equipment Tom Scanlan, SURPLUS RECORD is the leading independent business directory of new and used capital equipment machine tools machinery and industrial equipment listing over 110 000 industrial assets since 1924 including metalworking and fabricating machine tools lathes cnc equipment machine centers woodworking equipment food equipment chemical and process equipment cranes air compressors pumps motors circuit breakers generators transformers turbines and more Over 1 100 businesses list with the SURPLUS RECORD November 2023 issue Vol 101 No 1

December 2023 - Surplus Record Machinery & Equipment , SURPLUS RECORD is the leading independent business directory of new and used capital equipment machine tools machinery and industrial equipment listing over 120 000 industrial assets since 1924 including metalworking and fabricating machine tools lathes cnc equipment machine centers woodworking equipment food equipment chemical and process equipment cranes air compressors pumps motors circuit breakers generators transformers turbines and more Over 1 100 businesses list with the SURPLUS RECORD November 2023 issue Vol 100 No 12

**State of Colorado Mobile Equipment Manual** ,2019 **Toyota Model-F Repair Manual for Body & Chassis** Toyota Jidōsha Kabushiki Kaisha,1983 *Toyota H Engine Diesel Repair Manual*

Toyota Jidōsha Kabushiki Kaisha,1986 **Toyota Owners Workshop Manual** John Harold Haynes,Peter B. Ward,1982

*Toyota Pickup Truck Service Manual* ,1982 *Toyota Engine Repair Manual*, 8R-C, 18R-C Toyota Motor Sales, U.S.A., Inc,1972 *Toyota Starlet Owners Workshop Manual* John Harold Haynes,Andrew Kirk Legg,1985 **Toyota Land**

**Cruiser** Jeff Kibler,Robert Maddox,J. H. Haynes,1998 *Toyota Truck* Toyota Jidōsha Kabushiki Kaisha,1985 **Toyota**

**Hilux/4 Runner Diesel 1979-1997 Auto Repair Manual-LN, Diesel Eng 2 & 4 Wheel Drive** Max Ellery,2003-05-01

Step by step instructions with plenty of photographs plus detailed information on 4 cylinder L 2L 2L T and 3L vehicles including turbo versions from 1979 to 1997 2WD and 4WD LN Series for 30s 40s 50s 60s 120s and 130s body styles Engines all transmissions axles suspension brakes body wiring schematics problem solving plus more Tune up Maintenance Repairs Mechanical Bodywork Electrical diagrams Specifications Restoration Worldwide specifications Suitable for DIY enthusiast or the mechanic **Toyota 3-speed Toyoglide Repair Manual** ,1971 *Toyota 25* ,1964 **Toyota Emission Control**

Toyota Jidōsha Kabushiki Kaisha,1971 *Clymer Toyota Pickup and 4Runner 2-wheel and 4-wheel Drive ... Shop Manual*

,1989 **Toyota Hi-Lux Repair Manual** Toyota Jidōsha Hanbai Kabushiki Kaisha,1976 *Toyota Model-F Repair Manual for Chassis & Body* ,1982 **Toyota 4M Engine Repair Manual** Toyota Jidōsha Kabushiki Kaisha,1977 *Toyota Pickup Truck* Robert Bently Publishers,1986-07-01

If you ally dependence such a referred **Toyota 8fd25 Manual** books that will meet the expense of you worth, acquire the unquestionably best seller from us currently from several preferred authors. If you want to funny books, lots of novels, tale, jokes, and more fictions collections are afterward launched, from best seller to one of the most current released.

You may not be perplexed to enjoy every book collections Toyota 8fd25 Manual that we will unquestionably offer. It is not not far off from the costs. Its just about what you compulsion currently. This Toyota 8fd25 Manual, as one of the most effective sellers here will entirely be in the middle of the best options to review.

<http://www.frostbox.com/files/book-search/fetch.php/yamaha%20cm500%20manual.pdf>

## **Table of Contents Toyota 8fd25 Manual**

1. Understanding the eBook Toyota 8fd25 Manual
  - The Rise of Digital Reading Toyota 8fd25 Manual
  - Advantages of eBooks Over Traditional Books
2. Identifying Toyota 8fd25 Manual
  - Exploring Different Genres
  - Considering Fiction vs. Non-Fiction
  - Determining Your Reading Goals
3. Choosing the Right eBook Platform
  - Popular eBook Platforms
  - Features to Look for in an Toyota 8fd25 Manual
  - User-Friendly Interface
4. Exploring eBook Recommendations from Toyota 8fd25 Manual
  - Personalized Recommendations
  - Toyota 8fd25 Manual User Reviews and Ratings
  - Toyota 8fd25 Manual and Bestseller Lists
5. Accessing Toyota 8fd25 Manual Free and Paid eBooks

- Toyota 8fdu25 Manual Public Domain eBooks
  - Toyota 8fdu25 Manual eBook Subscription Services
  - Toyota 8fdu25 Manual Budget-Friendly Options
6. Navigating Toyota 8fdu25 Manual eBook Formats
    - ePub, PDF, MOBI, and More
    - Toyota 8fdu25 Manual Compatibility with Devices
    - Toyota 8fdu25 Manual Enhanced eBook Features
  7. Enhancing Your Reading Experience
    - Adjustable Fonts and Text Sizes of Toyota 8fdu25 Manual
    - Highlighting and Note-Taking Toyota 8fdu25 Manual
    - Interactive Elements Toyota 8fdu25 Manual
  8. Staying Engaged with Toyota 8fdu25 Manual
    - Joining Online Reading Communities
    - Participating in Virtual Book Clubs
    - Following Authors and Publishers Toyota 8fdu25 Manual
  9. Balancing eBooks and Physical Books Toyota 8fdu25 Manual
    - Benefits of a Digital Library
    - Creating a Diverse Reading Collection Toyota 8fdu25 Manual
  10. Overcoming Reading Challenges
    - Dealing with Digital Eye Strain
    - Minimizing Distractions
    - Managing Screen Time
  11. Cultivating a Reading Routine Toyota 8fdu25 Manual
    - Setting Reading Goals Toyota 8fdu25 Manual
    - Carving Out Dedicated Reading Time
  12. Sourcing Reliable Information of Toyota 8fdu25 Manual
    - Fact-Checking eBook Content of Toyota 8fdu25 Manual
    - Distinguishing Credible Sources
  13. Promoting Lifelong Learning
    - Utilizing eBooks for Skill Development

- Exploring Educational eBooks
14. Embracing eBook Trends
- Integration of Multimedia Elements
  - Interactive and Gamified eBooks

### **Toyota 8fdu25 Manual Introduction**

Free PDF Books and Manuals for Download: Unlocking Knowledge at Your Fingertips In today's fast-paced digital age, obtaining valuable knowledge has become easier than ever. Thanks to the internet, a vast array of books and manuals are now available for free download in PDF format. Whether you are a student, professional, or simply an avid reader, this treasure trove of downloadable resources offers a wealth of information, conveniently accessible anytime, anywhere. The advent of online libraries and platforms dedicated to sharing knowledge has revolutionized the way we consume information. No longer confined to physical libraries or bookstores, readers can now access an extensive collection of digital books and manuals with just a few clicks. These resources, available in PDF, Microsoft Word, and PowerPoint formats, cater to a wide range of interests, including literature, technology, science, history, and much more. One notable platform where you can explore and download free Toyota 8fdu25 Manual PDF books and manuals is the internet's largest free library. Hosted online, this catalog compiles a vast assortment of documents, making it a veritable goldmine of knowledge. With its easy-to-use website interface and customizable PDF generator, this platform offers a user-friendly experience, allowing individuals to effortlessly navigate and access the information they seek. The availability of free PDF books and manuals on this platform demonstrates its commitment to democratizing education and empowering individuals with the tools needed to succeed in their chosen fields. It allows anyone, regardless of their background or financial limitations, to expand their horizons and gain insights from experts in various disciplines. One of the most significant advantages of downloading PDF books and manuals lies in their portability. Unlike physical copies, digital books can be stored and carried on a single device, such as a tablet or smartphone, saving valuable space and weight. This convenience makes it possible for readers to have their entire library at their fingertips, whether they are commuting, traveling, or simply enjoying a lazy afternoon at home. Additionally, digital files are easily searchable, enabling readers to locate specific information within seconds. With a few keystrokes, users can search for keywords, topics, or phrases, making research and finding relevant information a breeze. This efficiency saves time and effort, streamlining the learning process and allowing individuals to focus on extracting the information they need. Furthermore, the availability of free PDF books and manuals fosters a culture of continuous learning. By removing financial barriers, more people can access educational resources and pursue lifelong learning, contributing to personal growth and professional development. This democratization of knowledge promotes intellectual curiosity and empowers

individuals to become lifelong learners, promoting progress and innovation in various fields. It is worth noting that while accessing free Toyota 8fdu25 Manual PDF books and manuals is convenient and cost-effective, it is vital to respect copyright laws and intellectual property rights. Platforms offering free downloads often operate within legal boundaries, ensuring that the materials they provide are either in the public domain or authorized for distribution. By adhering to copyright laws, users can enjoy the benefits of free access to knowledge while supporting the authors and publishers who make these resources available. In conclusion, the availability of Toyota 8fdu25 Manual free PDF books and manuals for download has revolutionized the way we access and consume knowledge. With just a few clicks, individuals can explore a vast collection of resources across different disciplines, all free of charge. This accessibility empowers individuals to become lifelong learners, contributing to personal growth, professional development, and the advancement of society as a whole. So why not unlock a world of knowledge today? Start exploring the vast sea of free PDF books and manuals waiting to be discovered right at your fingertips.

### FAQs About Toyota 8fdu25 Manual Books

1. Where can I buy Toyota 8fdu25 Manual books? Bookstores: Physical bookstores like Barnes & Noble, Waterstones, and independent local stores. Online Retailers: Amazon, Book Depository, and various online bookstores offer a wide range of books in physical and digital formats.
2. What are the different book formats available? Hardcover: Sturdy and durable, usually more expensive. Paperback: Cheaper, lighter, and more portable than hardcovers. E-books: Digital books available for e-readers like Kindle or software like Apple Books, Kindle, and Google Play Books.
3. How do I choose a Toyota 8fdu25 Manual book to read? Genres: Consider the genre you enjoy (fiction, non-fiction, mystery, sci-fi, etc.). Recommendations: Ask friends, join book clubs, or explore online reviews and recommendations. Author: If you like a particular author, you might enjoy more of their work.
4. How do I take care of Toyota 8fdu25 Manual books? Storage: Keep them away from direct sunlight and in a dry environment. Handling: Avoid folding pages, use bookmarks, and handle them with clean hands. Cleaning: Gently dust the covers and pages occasionally.
5. Can I borrow books without buying them? Public Libraries: Local libraries offer a wide range of books for borrowing. Book Swaps: Community book exchanges or online platforms where people exchange books.
6. How can I track my reading progress or manage my book collection? Book Tracking Apps: Goodreads, LibraryThing,

and Book Catalogue are popular apps for tracking your reading progress and managing book collections. Spreadsheets: You can create your own spreadsheet to track books read, ratings, and other details.

7. What are Toyota 8fdu25 Manual audiobooks, and where can I find them? Audiobooks: Audio recordings of books, perfect for listening while commuting or multitasking. Platforms: Audible, LibriVox, and Google Play Books offer a wide selection of audiobooks.
8. How do I support authors or the book industry? Buy Books: Purchase books from authors or independent bookstores. Reviews: Leave reviews on platforms like Goodreads or Amazon. Promotion: Share your favorite books on social media or recommend them to friends.
9. Are there book clubs or reading communities I can join? Local Clubs: Check for local book clubs in libraries or community centers. Online Communities: Platforms like Goodreads have virtual book clubs and discussion groups.
10. Can I read Toyota 8fdu25 Manual books for free? Public Domain Books: Many classic books are available for free as they're in the public domain. Free E-books: Some websites offer free e-books legally, like Project Gutenberg or Open Library.

### **Find Toyota 8fdu25 Manual :**

#### **yamaha cm500 manual**

~~yamaha erx e320 nx e700 service manual~~

[yamaha gf12 12 owners manual](#)

[yamaha it175 shop manual](#)

*yamaha fz16 manual*

#### **yamaha fzs1000 fzs1000n 2000 2005 service repair manual**

[yamaha champ manual](#)

[yamaha cs3 service manual](#)

~~yamaha fzs600 1989 1999 workshop service manual~~

#### **yamaha dt1 manual**

[yamaha grizzly 600 1998 factory service repair manual](#)

*yamaha dm100user guide*

~~yamaha gts 1000 service repair manual~~

#### **yamaha command link plus service repair manual**



yamaha g14a service manual

**Toyota 8fdu25 Manual :**

analisi e innovazione dei processi formativi del terzo settore - Feb 02 2023

web acquista online il libro analisi e innovazione dei processi formativi del terzo settore competenze strategiche dei quadri e dirigenti di in offerta a prezzi imbattibili su mondadori store

**analisi e innovazione dei processi formativi del terzo settore** - Oct 30 2022

web analisi e innovazione dei processi formativi del terzo settore competenze strategiche dei quadri e dirigenti p bertonni p di rienzo studocu chiedi all ia

**progettazione di modelli di servizio innovazione analisi e** - Sep 28 2022

web obiettivi formativi del corso il corso erogato devolvendo con una consistente porzione di tempo all esercitazione in aula ha l obiettivo di fornire e consolidare le conoscenze e competenze necessarie all applicazione della gestione per processi nell ambito dell erogazione di servizio e dell interfaccia con l utenza

**innovazione digitale e analisi dei processi in sanità accmed** - Feb 19 2022

web il corso pone il focus sull innovazione digitale l analisi dei processi e il lean management in sanità quali leve innovative per il miglioramento continuo della qualità e dell efficienza dei servizi sanitari nazionali alla luce delle opportunità offerte dal pnrr

**analisi e innovazione dei processi formativi del terzo settore** - Jul 07 2023

web mar 9 2020 questo lavoro di ricerca vuole dare un contributo in questa direzione a partire da uno sguardo introspettivo sul terzo settore il testo è disponibile qui analisi e innovazione dei processi formativi del terzo settore competenze strategiche dei quadri e dirigenti

**analisi e innovazione dei processi formativi del terzo settore** - Jun 06 2023

web jan 27 2022 scarica analisi e innovazione dei processi formativi del terzo settore competenze strategiche deg e più schemi e mappe concettuali in pdf di scienze dell educazione solo su docsity

**I analisi dei processi di innovazione nelle mappe strategiche** - May 25 2022

web l analisi dei processi di innovazione nelle mappe strategiche l innovazione è da sempre un tema centrale degli studi d impresa esso racchiude le diverse strategie competitive adottate dalle organizzazioni al fine di porre in essere rilevanti miglioramenti nelle proprie prestazioni anche alla luce delle nuove possibilità fornite dalla

**rapporto di ricerca analisi e innovazione dei processi formativi del** - Aug 08 2023

web jan 1 2019 analisi e innovazione dei processi formativi del terzo settore competenze strategiche dei quadri e dirigenti

benvenuti nell'anagrafe della ricerca d'ateneo iris catalogo ricerca 2 contributo in volume 2 2 prefazione postfazione rapporto di ricerca

*analisi e innovazione dei processi formativi del download only* - Apr 23 2022

web analisi e innovazione dei processi formativi del 3 3 chiave o kpi e sulle tecnologie di business intelligence di supporto supportano la trattazione casi pratici ed esperienze progettuali condotte da sdg group presso alcune tra le organizzazioni più significative in Italia e nel mondo sdg sdggroup.com è centro di eccellenza nella

apprendimento di competenze strategiche l'innovazione dei processi - Mar 23 2022

web apprendimento di competenze strategiche l'innovazione dei processi google books apprendimento di competenze strategiche l'innovazione dei processi formativi nella società

**innovazione digitale e analisi dei processi in sanità ed 2022** - Jun 25 2022

web il corso pone il focus sull'innovazione digitale l'analisi dei processi e il lean management in sanità quali leve innovative per il miglioramento continuo della qualità e dell'efficienza dei servizi sanitari nazionali alla luce delle opportunità offerte dal pnrr

**proposta di un modello per l'analisi dei fabbisogni formativi negli** - Jan 01 2023

web sfide più importanti è quella che riguarda il potenziamento e l'innovazione dei processi e delle pratiche formative È possibile aggiornare bene upskilling e riqualificare bene reskilling solo se prima è analizzato con efficacia e lungimiranza cioè che manca cioè i fabbisogni formativi gap

**teorie e metodi di progettazione e valutazione dei processi formativi** - Jul 27 2022

web il programma del corso è volto ad approfondire le teorie di progettazione e valutazione nell'ambito dell'educazione permanente e della formazione continua in modo funzionale allo sviluppo di competenze nell'uso di metodi strumenti e procedure di progettazione e valutazione di processi ed interventi formativi

*rapporto di ricerca analisi e innovazione dei processi formativi del* - May 05 2023

web rapporto di ricerca analisi e innovazione dei processi formativi del terzo settore competenze studocu riassunto dei capitoli 1 5 e 7 rapporto di ricerca introduzione la ricerca punta ad analizzare il riconoscimento del valore in

analisi e innovazione dei processi formativi del 2022 db csda - Sep 09 2023

web analisi e innovazione dei processi formativi del 1 analisi e innovazione dei processi formativi del handbook of research on consumerism in business and marketing concepts and practices metodologie di analisi e proposte per il lavoro e la formazione un'indagine sulla ristorazione e la ricettività bolognese

**le dimensioni dell'innovazione un framework per la valutazione dei** - Nov 30 2022

web in questo panorama si colloca la ricerca valutazione dei processi di innovazione avviata nel 2018 da Indire che tra gli

obiettivi indicati nei decreti costitutivi ha proprio quello di leggere i processi di innovazione in atto nei sistemi educativi e della formazione sia in Italia che nei principali scenari internazionali

analisi e innovazione dei processi formativi del terzo settore - Oct 10 2023

web analisi e innovazione dei processi formativi del terzo settore competenze strategiche dei quadri e dirigenti è un libro a cura di patrizia bertoni paolo di rienzo pubblicato da fausto lupetti editore nella collana fpts formazione

*innovazione indire* - Aug 28 2022

web l'area pertanto analizza le esperienze di innovazione in atto nella scuola non solo italiana elabora proposte per portarle al sistema e in questo ambito per trovare i più efficaci strumenti linguaggi e format per documentare e diffondere le migliori pratiche educative

rapporto di ricerca analisi e innovazione dei processi formativi del - Apr 04 2023

web rapporto di ricerca riassunto capitoli 2 3 4 6 analisi e innovazione dei processi formativi del terzo settore competenze strategiche dei quadri e dirigenti domande preparazione didattica riassunto statistica test pegaso educazione degli adulti prove d'esame di scienze dell'educazione

**analisi e innovazione dei processi formativi del terzo settore** - Mar 03 2023

web analisi e innovazione dei processi formativi del terzo settore competenze strategiche degli operatori volontari in servizio civile è un libro a cura di patrizia bertoni paolo di rienzo licio palazzini pubblicato da fausto lupetti editore nella collana saggistica acquista su ibs a 17 10

*futa videos xvideos com* - Apr 04 2022

web animated futa on female where teen dickgirl fucks milf in pussy and ass 31 min 31 min beauty doll belle 1080p lewd review 3 12 min 12 min nyakumi neko 656 5k views

*martinique 2019 petit futa c country guide aviator txmq* - Feb 14 2023

web martinique 2019 petit futa c country guide downloaded from aviator txmq com by guest jaquan efrain the rejection of consequentialism springer nature volume 1 1441

**martinique 2019 petit futa c country guide copy uniport edu** - Jan 13 2023

web apr 11 2023 martinique 2019 petit futa c country guide 1 8 downloaded from uniport edu ng on april 11 2023 by guest martinique 2019 petit futa c country guide

**martinique 2020 petit futa c country guide** - Mar 15 2023

web martinique 2020 petit futa c country guide martinique 2020 petit futa c country guide 2 downloaded from bespoke cityam com on 2023 03 14 by guest international scientific

*martinique 2020 petit futa c country guide pdf free* - Apr 16 2023

web webmartinique 2020 petit futa c country guide martinique 2020 petit futa c country guide 2 downloaded from bespoke cityam com on 2023 03 14 by guest international

*martinique 2020 petit futa c country guide copy uniport edu* - Nov 30 2021

web apr 23 2023 martinique 2020 petit futa c country guide 2 7 downloaded from uniport edu ng on april 23 2023 by guest the decolonization of africa professor david

**guide martinique 2018 petit futa c copy forum consigncloud** - May 17 2023

web jun 12 2022 2 guide martinique 2018 petit futa c 2022 06 12 afghanistan and power is handed to a new president karzai s legacy remains one of betrayal mistrust and

**martinique 2020 petit futa c country guide copy uniport edu** - Jan 01 2022

web may 1 2023 martinique 2020 petit futa c country guide 2 11 downloaded from uniport edu ng on may 1 2023 by guest african american community located in a sliver

**martinique 2020 petit futa c country guide judy nunn 2023** - Aug 20 2023

web of this martinique 2020 petit futa c country guide by online you might not require more get older to spend to go to the books foundation as with ease as search for them in

**martinique 2019 petit futa c country guide db csda** - Sep 21 2023

web 2 martinique 2019 petit futa c country guide 2022 02 24 and this motivates one departure from consequentialism but he shows that it is surprisingly difficult to provide a

**petit futa c martinique bespoke cityam com** - Sep 09 2022

web petit futa c martinique petit futa c martinique 2 downloaded from bespoke cityam com on 2023 06 03 by guest 2013 06 29 the impact of climate on human activities and the

*futa photos and premium high res pictures getty images* - Jun 06 2022

web browse 1 681 futa photos and images available or start a new search to explore more photos and images browse getty images premium collection of high quality authentic

*futanari 5 729 vidéos iwank tv* - Feb 02 2022

web best selection of futanari porn 5729 vidéos futanari futanaria futa futanari lesbienne hermaphrodite futanari compilation et beaucoup plus

*petit futa c martinique uniport edu ng* - Oct 10 2022

web may 22 2023 petit futa c martinique 2 10 downloaded from uniport edu ng on may 22 2023 by guest be decided the influence of humans on climate was a major subject for

**martinique 2020 petit futa c country guide uniport edu** - Nov 11 2022

web mar 24 2023 success next to the message as capably as sharpness of this martinique 2020 petit futa c country guide can be taken as capably as picked to act small graces

**petit futa c martinique sainte lucie saint vincen pdf pdf** - Jun 18 2023

web introduction petit futa c martinique sainte lucie saint vincen pdf pdf the cambridge world history jerry h bentley 2015 04 09 the era from 1400 to 1800 saw

petit futé martinique by petit futé super id cchan tv - Jul 07 2022

web petit futé martinique by petit futé market rivires du sud september 22nd 2019 rivières du sud english southern rivers was a french colonial division in west africa roughly

**martinique 2019 petit futa c country guide pdf uniport edu** - Jul 19 2023

web aug 24 2023 martinique 2019 petit futa c country guide 1 9 downloaded from uniport edu ng on august 24 2023 by guest martinique 2019 petit futa c country

guide martinique 2018 petit futa c pdf renewalcc - Dec 12 2022

web guide martinique 2018 petit futa c 3 3 at head of title international scientific committee for the drafting of a general history of africa unesco unesco general history of *futanari mature album* - Mar 03 2022

web il ya 1 an 21 09 xhamster mamelons orgasme futanari petits seins maigre il ya 4 ans 01 03 xhamster lait futanari femme bisexuel il ya 1 mois 18 46 xhamster transexuelle

*martinique 2020 petit futa c country guide pdf uniport edu* - Oct 30 2021

web martinique 2020 petit futa c country guide 3 10 downloaded from uniport edu ng on june 8 2023 by guest amkoulel the fula boy amadou hampâté bâ 2021 07 20 born in 1900

**petit futa c martinique pdf pdf signups myamcat** - Aug 08 2022

web petit futa c martinique pdf pages 3 11 petit futa c martinique pdf upload suny x williamson 3 11 downloaded from signups myamcat com on october 3 2023 by suny x

*futanari tube charm vidéo porno* - May 05 2022

web teen futa dickgirl fucks mom eng voice il ya 1 an 07 11 porngem futanari 3d anime dessin animé quark il ya 1 an 34 25 trannyone futanari transexuelle three

**yamaha yzf r1 motorcycles 2012 parts catalog manual pdf** - Dec 26 2022

web yamaha yzf r1 motorcycles 2012 parts catalog manual pdf download this manual presented for you in electronic format you can just print out the page you need

**yamaha yzf r1 b 2012 service manual pdf download manualslib** - Oct 04 2023

web yzf r1 2012 yzf r1b 2012 view and download yamaha yzf r1 b 2012 service manual online yzf r1 b 2012 motorcycle pdf manual download also for yzf r1 2012 yzf r1b 2012

[yzf r1 yzf r1m maintenanceschedule.com](#) - Jul 21 2022

web welcome to the yamaha world of motorcycling as the owner of the yzf r1 yzf r1m you are benefiting from yamaha's vast experience and newest technology regarding the design and manufacture of high quality products which have earned yamaha a reputation for dependability please take the time to read this manual thoroughly so as

**yamaha yzf r1 2012 manuals manualslib** - Mar 17 2022

web yamaha yzf r1 2012 pdf user manuals view online or download yamaha yzf r1 2012 service manual sign in upload manuals brands yamaha manuals motorcycle handling the electronic parts 32 special tools 33 to set the shift timing indicator light activation function 27 d mode drive mode 27 specifications 41

**2012 yamaha yzf r1 owner's manual 112 pages pdf** - Oct 24 2022

web sep 19 2015 file size 3 mb download from yamaha motor.com online viewer 1 2 3 manual description checking the spark plugs the spark plugs are important engine components which should be checked periodically preferably by a dealer

**yamaha 2012 yzf r1 repair manual instant pdf download** - Mar 29 2023

web sep 28 2017 news yamaha 2012 yzf r1 repair manual instant pdf download 7 99 download yamaha yzf workshop manual this page is for the 2012 yamaha r1 service manual pdf over 500 pages of in depth information to help service troubleshoot and repair your yamaha yzf r1

[yamaha yzf r1 4c81 parts catalog pdf download manualslib](#) - Jul 01 2023

web view and download yamaha yzf r1 4c81 parts catalog online yamaha motorcycle parts catalogue yzf r1 4c81 motorcycle pdf manual download also for yzf r1 yzf r1 4c81

**2012 yamaha yzf r1 owner's and service manuals online download pdf** - Feb 25 2023

web 2012 yamaha yzf r1 owner's and service manuals online download pdf yamaha yzf r1 2012 owner's manuals and service manuals for online browsing and download view yamaha yzf r1 manuals online for free carmanualsonline info is the largest free online database of yamaha owner's manuals and yamaha service manuals

[yamaha yzf r1 2012 2013 full service repair manual pdf](#) - Jan 27 2023

web this yamaha yzf r1 2012 2013 full service repair manual pdf download mt039204 is a comprehensive factory service repair workshop manual that provides detailed instructions and illustrations for servicing and repairing your yamaha yzf r1

[yamaha yzf r1 owner manual manualzz](#) - Jun 19 2022

web address 1450 6 mori mori machi shuchi gun shizuoka ken 437 0292 japan hereby declare that the product kind of equipment immobilizer type designation 5sl 00 is in compliance with following norms or documents r tte directive 1999 5 ec

en300 330 2 v1 3 1 2006 01 en300 330 2 v1 5 1 2010 02 en60950 1 2006 a11 2009 two or

**download r1 service manuals here yamaha r1 forum yzf r1** - Sep 03 2023

web feb 16 2016 all service manuals are in pdf format and zipped to keep the size down on my google drive enjoy 2020 2023

r1 service manual 2015 2019 r1 service manual 2009 2014 r1 service manual 2007 2008 r1 service manual 2004 2006 r1

service manual 2002 2003 r1 service manual 1998 2001 r1 service manual

**1999 yamaha yzf r1 pdf 2 33 mb repair manuals english en** - Apr 17 2022

web spanish yamaha yzf r1 parts catalog manual pdf 2007 2008 english 2007 yzf r1 service manual pdf 2007 english 2004

yzfr1 5vy1 parts list pdf yzf r1 5vy1 europe south africa yzf r1 5vy3 australia 2004

yamaha yzf r1 owner s manual pdf download manualslib - May 19 2022

web view and download yamaha yzf r1 owner s manual online 2006 yzf r1 motorcycle pdf manual download

**yamaha yzf r1 2012 2014 workshop repair service manual** - May 31 2023

web chassis engine cooling system fuel injection system electrical system troubleshooting wiring diagram download manuals

now post id 4047981429432156650 lots of pdf files of yamaha motorcycle service manuals just a little fee or free you can

download them immediately

**yamaha yzf r1b 2012 service manual pdf download manualslib** - Apr 29 2023

web view and download yamaha yzf r1b 2012 service manual online yzf r1b 2012 motorcycle pdf manual download also for

yzf r1 2012

yamaha yzf r1 motorcycle 2012 service workshop manual pdf - Sep 22 2022

web yamaha yzf r1 motorcycle 2012 service workshop manual pdf download this manual presented for you in electronic format you can just print out the page you

yamaha yzf r1 series service manual pdf download manualslib - Aug 02 2023

web page 381 transmission view and download yamaha yzf r1 series service manual online yzf r1 series motorcycle pdf

manual download also for yzf r1m series yzfr1l yzfr1lc yzfr1ml yzf1mlc

*yamaha yzf r1 manuals manualslib* - Feb 13 2022

web manuals and user guides for yamaha yzf r1 we have 16 yamaha yzf r1 manuals available for free pdf download service manual owner s manual parts catalog manual kit manual assembly instructions manual assembly instructions

**yzf r1 yamaha motor** - Nov 24 2022

web as the owner of the yzf r1 you are benefiting from yamaha s vast experience and newest technology regarding the design and manufacture of high quality products which have earned yamaha a reputation for dependability please take the time to

read this manual thoroughly so as to enjoy all advantages of your yzf r1 the owner s manual

**yamaha yzf r1 2012 manual manualscat com** - Aug 22 2022

web are you looking for the the instruction manual of the yamaha yzf r1 2012 view the user manual of this product directly and completely free