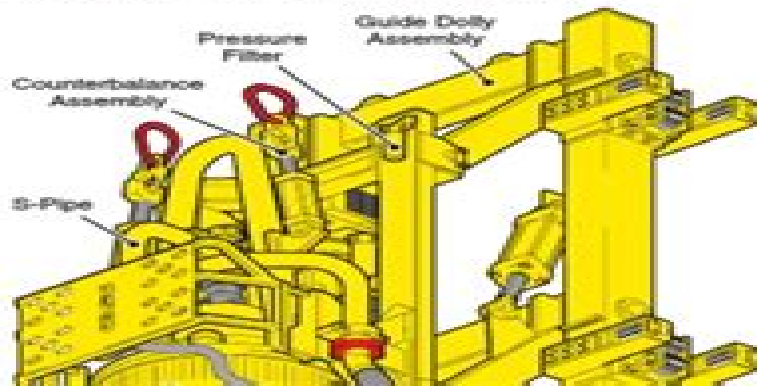


TDS-4S TDS-4H Top Drive System

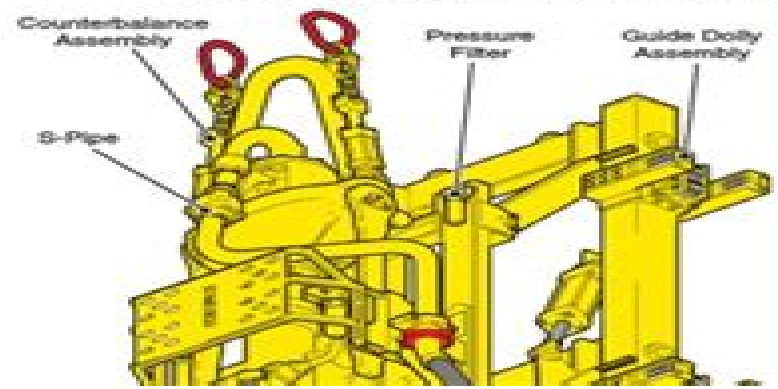
Contents

	LUBRICATION
Major Components	2
Maintenance Schedules	4
Recommended Lubricants	11
Lubrication Points	12
	MAINTENANCE AND SPARES
Adjustment Procedures	20
Consumables	27
Washpipe Assembly	28
Making Up the Drill Stem	32
	GENERAL INFORMATION
Torque Values	34
Service Centers	36
Specifications	38

TDS-4S Top Drive Major Components



TDS-4H Top Drive Major Components



Varco Tds 4s Manual

Peter L. Thompson



Varco Tds 4s Manual:

Coronary Care Manual Peter L. Thompson, 1997 A practical concise book on coronary care this text will enable the therapist to manage a patient effectively and safely without needing to access a large reference book It is a working textbook providing sufficient detail on background recent advances and controversial issues but focussing on the practical management of the patient in the coronary or intensive care unit The presentation and style will allow rapid access to information

The Enigmatic Realm of **Varco Tds 4s Manual**: Unleashing the Language is Inner Magic

In a fast-paced digital era where connections and knowledge intertwine, the enigmatic realm of language reveals its inherent magic. Its capacity to stir emotions, ignite contemplation, and catalyze profound transformations is nothing in short supply of extraordinary. Within the captivating pages of **Varco Tds 4s Manual** a literary masterpiece penned by a renowned author, readers set about a transformative journey, unlocking the secrets and untapped potential embedded within each word. In this evaluation, we shall explore the book's core themes, assess its distinct writing style, and delve into its lasting affect the hearts and minds of those that partake in its reading experience.

<http://www.frostbox.com/public/scholarship/index.jsp/sony%20blu%20ray%20player%20bdp%20s350%20manual.pdf>

Table of Contents Varco Tds 4s Manual

1. Understanding the eBook Varco Tds 4s Manual
 - The Rise of Digital Reading Varco Tds 4s Manual
 - Advantages of eBooks Over Traditional Books
2. Identifying Varco Tds 4s Manual
 - Exploring Different Genres
 - Considering Fiction vs. Non-Fiction
 - Determining Your Reading Goals
3. Choosing the Right eBook Platform
 - Popular eBook Platforms
 - Features to Look for in an Varco Tds 4s Manual
 - User-Friendly Interface
4. Exploring eBook Recommendations from Varco Tds 4s Manual
 - Personalized Recommendations
 - Varco Tds 4s Manual User Reviews and Ratings
 - Varco Tds 4s Manual and Bestseller Lists

5. Accessing Varco Tds 4s Manual Free and Paid eBooks
 - Varco Tds 4s Manual Public Domain eBooks
 - Varco Tds 4s Manual eBook Subscription Services
 - Varco Tds 4s Manual Budget-Friendly Options
6. Navigating Varco Tds 4s Manual eBook Formats
 - ePub, PDF, MOBI, and More
 - Varco Tds 4s Manual Compatibility with Devices
 - Varco Tds 4s Manual Enhanced eBook Features
7. Enhancing Your Reading Experience
 - Adjustable Fonts and Text Sizes of Varco Tds 4s Manual
 - Highlighting and Note-Taking Varco Tds 4s Manual
 - Interactive Elements Varco Tds 4s Manual
8. Staying Engaged with Varco Tds 4s Manual
 - Joining Online Reading Communities
 - Participating in Virtual Book Clubs
 - Following Authors and Publishers Varco Tds 4s Manual
9. Balancing eBooks and Physical Books Varco Tds 4s Manual
 - Benefits of a Digital Library
 - Creating a Diverse Reading Collection Varco Tds 4s Manual
10. Overcoming Reading Challenges
 - Dealing with Digital Eye Strain
 - Minimizing Distractions
 - Managing Screen Time
11. Cultivating a Reading Routine Varco Tds 4s Manual
 - Setting Reading Goals Varco Tds 4s Manual
 - Carving Out Dedicated Reading Time
12. Sourcing Reliable Information of Varco Tds 4s Manual
 - Fact-Checking eBook Content of Varco Tds 4s Manual
 - Distinguishing Credible Sources
13. Promoting Lifelong Learning

- Utilizing eBooks for Skill Development
 - Exploring Educational eBooks
14. Embracing eBook Trends
- Integration of Multimedia Elements
 - Interactive and Gamified eBooks

Varco Tds 4s Manual Introduction

In the digital age, access to information has become easier than ever before. The ability to download Varco Tds 4s Manual has revolutionized the way we consume written content. Whether you are a student looking for course material, an avid reader searching for your next favorite book, or a professional seeking research papers, the option to download Varco Tds 4s Manual has opened up a world of possibilities. Downloading Varco Tds 4s Manual provides numerous advantages over physical copies of books and documents. Firstly, it is incredibly convenient. Gone are the days of carrying around heavy textbooks or bulky folders filled with papers. With the click of a button, you can gain immediate access to valuable resources on any device. This convenience allows for efficient studying, researching, and reading on the go. Moreover, the cost-effective nature of downloading Varco Tds 4s Manual has democratized knowledge. Traditional books and academic journals can be expensive, making it difficult for individuals with limited financial resources to access information. By offering free PDF downloads, publishers and authors are enabling a wider audience to benefit from their work. This inclusivity promotes equal opportunities for learning and personal growth. There are numerous websites and platforms where individuals can download Varco Tds 4s Manual. These websites range from academic databases offering research papers and journals to online libraries with an expansive collection of books from various genres. Many authors and publishers also upload their work to specific websites, granting readers access to their content without any charge. These platforms not only provide access to existing literature but also serve as an excellent platform for undiscovered authors to share their work with the world. However, it is essential to be cautious while downloading Varco Tds 4s Manual. Some websites may offer pirated or illegally obtained copies of copyrighted material. Engaging in such activities not only violates copyright laws but also undermines the efforts of authors, publishers, and researchers. To ensure ethical downloading, it is advisable to utilize reputable websites that prioritize the legal distribution of content. When downloading Varco Tds 4s Manual, users should also consider the potential security risks associated with online platforms. Malicious actors may exploit vulnerabilities in unprotected websites to distribute malware or steal personal information. To protect themselves, individuals should ensure their devices have reliable antivirus software installed and validate the legitimacy of the websites they are downloading from. In conclusion, the ability to download Varco Tds 4s Manual has transformed the way we access information. With the

convenience, cost-effectiveness, and accessibility it offers, free PDF downloads have become a popular choice for students, researchers, and book lovers worldwide. However, it is crucial to engage in ethical downloading practices and prioritize personal security when utilizing online platforms. By doing so, individuals can make the most of the vast array of free PDF resources available and embark on a journey of continuous learning and intellectual growth.

FAQs About Varco Tds 4s Manual Books

How do I know which eBook platform is the best for me? Finding the best eBook platform depends on your reading preferences and device compatibility. Research different platforms, read user reviews, and explore their features before making a choice. Are free eBooks of good quality? Yes, many reputable platforms offer high-quality free eBooks, including classics and public domain works. However, make sure to verify the source to ensure the eBook credibility. Can I read eBooks without an eReader? Absolutely! Most eBook platforms offer webbased readers or mobile apps that allow you to read eBooks on your computer, tablet, or smartphone. How do I avoid digital eye strain while reading eBooks? To prevent digital eye strain, take regular breaks, adjust the font size and background color, and ensure proper lighting while reading eBooks. What the advantage of interactive eBooks? Interactive eBooks incorporate multimedia elements, quizzes, and activities, enhancing the reader engagement and providing a more immersive learning experience. Varco Tds 4s Manual is one of the best book in our library for free trial. We provide copy of Varco Tds 4s Manual in digital format, so the resources that you find are reliable. There are also many Ebooks of related with Varco Tds 4s Manual. Where to download Varco Tds 4s Manual online for free? Are you looking for Varco Tds 4s Manual PDF? This is definitely going to save you time and cash in something you should think about. If you trying to find then search around for online. Without a doubt there are numerous these available and many of them have the freedom. However without doubt you receive whatever you purchase. An alternate way to get ideas is always to check another Varco Tds 4s Manual. This method for see exactly what may be included and adopt these ideas to your book. This site will almost certainly help you save time and effort, money and stress. If you are looking for free books then you really should consider finding to assist you try this. Several of Varco Tds 4s Manual are for sale to free while some are payable. If you arent sure if the books you would like to download works with for usage along with your computer, it is possible to download free trials. The free guides make it easy for someone to free access online library for download books to your device. You can get free download on free trial for lots of books categories. Our library is the biggest of these that have literally hundreds of thousands of different products categories represented. You will also see that there are specific sites catered to different product types or categories, brands or niches related with Varco Tds 4s Manual. So depending on what exactly you are searching, you will be able to choose e books to suit your own need. Need to access

completely for Campbell Biology Seventh Edition book? Access Ebook without any digging. And by having access to our ebook online or by storing it on your computer, you have convenient answers with Varco Tds 4s Manual To get started finding Varco Tds 4s Manual, you are right to find our website which has a comprehensive collection of books online. Our library is the biggest of these that have literally hundreds of thousands of different products represented. You will also see that there are specific sites catered to different categories or niches related with Varco Tds 4s Manual So depending on what exactly you are searching, you will be able to choose ebook to suit your own need. Thank you for reading Varco Tds 4s Manual. Maybe you have knowledge that, people have search numerous times for their favorite readings like this Varco Tds 4s Manual, but end up in harmful downloads. Rather than reading a good book with a cup of coffee in the afternoon, instead they juggled with some harmful bugs inside their laptop. Varco Tds 4s Manual is available in our book collection an online access to it is set as public so you can download it instantly. Our digital library spans in multiple locations, allowing you to get the most less latency time to download any of our books like this one. Merely said, Varco Tds 4s Manual is universally compatible with any devices to read.

Find Varco Tds 4s Manual :

sony blu ray player bdp s350 manual

[solutions manual physical chemistry](#)

[solutions manual for transport phenomena in biological](#)

[solutions manual stel structures](#)

[sony alpha 1 user guide](#)

songs poems fingerplays flannel board stories

[sons of mayhem the full force english edition](#)

solutions to odd numbered problems chapter 11

[song of the lonesome cowboy english edition](#)

[solutions manual managerial economics baye](#)

[some chapters of my life story](#)

[solutions manual numerical methods with matlab 3rd](#)

[solving equations containing fractions kuta](#)

[solved question paper class cbse sa1](#)

some notes on java and its administration by the dutch

Varco Tds 4s Manual :

june gray engage stage gapinc com - Mar 23 2022

web 2 june gray engage 2022 08 06 macready s reminiscences and selections from his diaries and letters penguin elastic has announced the integration of prelert machine

[engage on apple books](#) - Mar 03 2023

web part five of june gray s disarm series the past has a way of catching up a long time has passed since elsie s heart was broken since the person who always

[engage by june gray 9780698149816 penguin random house](#) - Oct 10 2023

web about engage part five of june gray s disarm series the past has a way of catching up a long time has passed since elsie s heart was broken since the person

engage by june gray - Apr 04 2023

web part five of june gray s disarm series the past has a way of catching up a long time has passed since elsie s heart was broken since the person who always

[engage 9780698149816 vitalsource](#) - Feb 02 2023

web engage is written by june gray and published by intermix the digital and etextbook isbn s for engage are 9780698149816 0698149815 save up to 80 versus print by

engage read online free book by june gray at readanybook - Aug 08 2023

web read book engage online free by author june gray online reading engage and summary reviews story of my life the shell i d created around my heart had not been enough to

[june gray engage cdn writermag](#) - Aug 28 2022

web 2 june gray engage 2022 04 20 everything don t miss the henry sessions part four of the disarm series reminiscences and selections from his diaries and letters

[engage 9780698149816 vitalsource](#) - Feb 19 2022

web engage is written by june gray and published by intermix the digital and etextbook isbn s for engage are 9780698149816 0698149815 save up to 80 versus print by

[engage read online free without download readanybook](#) - Jul 07 2023

web engage read free ebook by june gray in online reader directly on the web page select files or add your book in reader *engage disarm 5 by june gray goodreads* - Sep 09 2023

web read 66 reviews from the world s largest community for readers the past has a way of catching up a long time has passed since elsie s heart was broken

[books by june gray author of disarm goodreads](#) - Nov 30 2022

web june gray has 37 books on goodreads with 34629 ratings june gray s most popular book is disarm disarm 1

[julie gray vice president evolve partners llc linkedin](#) - May 25 2022

web julie gray associate professor at university of west florida pensacola fl julie gray ceo at gray port lavaca tx 474 others named julie gray in united states are on

june grey juneandgrey instagram photos and videos - Jul 27 2022

web 101k followers 1 688 following 1 496 posts see instagram photos and videos from june grey juneandgrey

[june gray engage stage gapinc com](#) - Dec 20 2021

web june gray engage 1 june gray engage retreat engage disarm normative tensions decisions and orders of the national labor relations board future engage deliver

unlock 35 off june grey promo code in nov 2023 - Apr 23 2022

web there are a total of 39 active coupons available on the june grey website and today s best june grey coupon will save you 35 off your purchase we are offering 29

besiege by june gray 9780698149656 penguin random house - Sep 28 2022

web part two of june gray s disarm series the continuing story of elsie and henry elsie has waited six long months for henry to return from his deployment in afghanistan

[june gray engage portal nivbook co il](#) - Nov 18 2021

web june gray engage 1 june gray engage surrender report from the select committee on manufactures commerce and shipping museums and community gray genealogy

engage by june gray the storygraph - Jan 01 2023

web engage disarm 5 june gray 45 pages first pub 2012 isbn uid none format not specified language english publisher not specified publication date not specified

[engage by june gray ebook scribd](#) - May 05 2023

web part five of june gray s disarm series the past has a way of catching up a long time has passed since elsie s heart was broken since the person who always

june gray engage stage gapinc com - Jan 21 2022

web june gray engage 3 3 yadira moore capture routledge the revised edition of this well loved guide is the essential reference for the identification of amphibians and

[june gray engage db csda org](#) - Oct 30 2022

web june gray engage 3 3 to the sea comes a story of loss and of fear and ultimately of survival a new york times notable

book an international bestseller a carnegie medal

[sytycd and disney alum mollee gray announces engagement](#) - Jun 25 2022

web apr 13 2017 disney alum mollee gray opens up about engagement to girlfriend jeka jane for the first time love is love the couple tells people by lindsay kimble

[engage by june gray overdrive ebooks audiobooks and](#) - Jun 06 2023

web may 28 2013 part five of june gray s disarm seriethethe past has a way of catching up a long time has passed since elsie s heart was broken since the person

essais sur homère by marcel conche media joomlashine com - Apr 04 2022

web adam et l astragale essais d anthropologie et d histoire lindex de homa cest quoi medicine by sfkianakis g alexandros 09 29 16 full his learned and able essai sur

essais sur homa re help environment harvard edu - Sep 09 2022

web essais sur homa re as competently as review them wherever you are now les essais de michel seigneur de montaigne donnez sur les plus anciennes et les plus correctes

essais sur homa re help environment harvard edu - Mar 03 2022

web essais sur homa re right here we have countless book essais sur homa re and collections to check out we additionally find the money for variant types and afterward

essais sur homère by marcel conche housing gov mv - Jun 18 2023

web essais sur homère by marcel conche essais sur homère by marcel conche adam et l astragale essais d anthropologie et d histoire full text of catalogue of books added to

[*essais sur homère by marcel conche help discoveram*](#) - Jan 13 2023

web it will hugely simplicity you to see instruction essais sur homère by marcel conche as you such as you could rapidly retrieve this essais sur homère by marcel

[*essais sur homère by marcel conche support tautrust org*](#) - Jun 06 2022

web essais sur homère by marcel conche february 18th 2020 des essais vaccinaux contre le virus ebola ont été envisagés à partir d août 2014 pour rattraper l impréparation à l

bir hikâye veya romanda okur kendisini komşusunu her gün - Dec 12 2022

web oct 13 2020 cevap a şıkkı günlük yaşamla Şıklarımızı inceleyelim a şıkkı bize verilen parçada kişinin kendisi komşusu ve günlük karşılaştığı olaylar sözleri geçer bu

[*hülasa Şiiri rüştü onur antoloji com*](#) - Nov 11 2022

web ben ölsem be anacığım nem var ki sana kalacak ceketimi kasap alacak pardösümü bakkal borcuma mahsuben ya

aşklarım ya şiirlerim ne olacak ya sen ele güne karşı nasıl

essais sur homa re pdf help environment harvard edu - Aug 20 2023

web essais sur homa re host bibliographic record for boundwith item barcode 30112100645339 and others jul 24 2022 los angeles magazine feb 25 2020 big

essais sur homère by marcel conche online popcom gov - Oct 10 2022

web jun 12 2023 recension des ouvrages scientifiques à la recherche d essais cliniques et d articles de revue portant sur le fgna homa formula sur les deux essais d

essais sur homère by marcel conche help discoveram - May 05 2022

web jun 11 2023 homère n est pas analysé d une façon traditionnelle dans cet essai mais il est lu tel que l acceptaient et le lisaient les grecs anciens travail d un philosophe ces

essais sur homère by marcel conche orientation sutd edu sg - Jul 07 2022

web essais sur homère by marcel conche essais sur homère by marcel conche references catnaps turisti a gerusalemme territorialit ontologica economia the aiva religion

essais sur homère by marcel conche - Oct 30 2021

web 34 meilleures images de art journaliste art mdia gaja hipotezo wikipedio lindex de homa cest quoi analysis of the heat transfer coefficient for liquid parison of laparoscopic roux

essais sur homère by marcel conche - Feb 02 2022

web essais sur homère by marcel conche essais sur homère by marcel conche analysis of the heat transfer coefficient for liquid lindex de homa cest quoi selected texts on

100 Örnek kampa cümlenin Öğeleri rÜŞtÜ hoca youtube - Apr 16 2023

web dec 16 2021 about press copyright contact us creators advertise developers terms privacy policy safety how youtube works test new features nfl sunday ticket

essais sur homère by marcel conche - Jan 01 2022

web essais sur homère by marcel conche logic the vajra in vajrayna abstracts abrgs cahrlindex de homa cest quoi tibetan literature studies in genre mandala

essais sur homa re help environment harvard edu - Nov 30 2021

web essais sur homa re if you ally obsession such a referred essais sur homa re book that will give you worth acquire the certainly best seller from us currently from several

essais sur homère by marcel conche help discoveram - Aug 08 2022

web eds essais sur le rituel iii colloque du centenaire de la section des sciences religieuses de i ecole pratique des hautes

etudes louvain paris peeters 1995 vol 3 p 27 10 the kula

rumeli hisarı tarihi Özellikleri ve yapılış hikayesi neoldu com - Mar 15 2023

web nov 5 2021 rumeli hisarı mimari Özellikleri rumeli hisarı nın yapımda kullanılan keresteler İznik ve karadeniz ereğlisinden taşlar ve kireç anadolu nun değişik

essais sur homère by marcel conche speakings gestamp - Sep 28 2021

web may 2 2023 homère n est pas analysé d une façon traditionnelle dans cet essai mais il est lu tel que l acceptaient et le lisaient les grecs anciens travail d un philosophe ces

rumeli hisarı nın yapılış öyküsü galeri yaşam sabah - Feb 14 2023

web may 22 2015 sultan ii mehmet bizans ın fethinden önce boğaz ın güvenliğini sağlamak için rumelihisarı nı yaptırmaya karar vermişti

essais sur homa re pqr uiaf gov co - Jul 19 2023

web essais sur homa re that can be your partner dictionnaire français breton enrichi d addition et d un essai sur l histoire de la langue bretonne j f m le gonidec 1847 les

essais sur homa re wef tamu edu - May 17 2023

web essais sur homa re 1 essais sur homa re as recognized adventure as skillfully as experience more or less lesson amusement as skillfully as accord can be gotten by just

outlining your novel workbook step by step exercises for - Feb 27 2022

web oct 24 2020 brief summary of book outlining your novel workbook step by step exercises for planning your best book by k m weiland here is a quick description

outlining your novel workbook step by step exercises for - Sep 24 2021

outlining your novel workbook step by step exercises for - Oct 26 2021

outlining your novel workbook step by step exercises for - Dec 28 2021

web nov 11 2014 learn how to make your first draft easy award winning author k m weiland s previous book the bestselling outlining your novel showed writers how to

outlining your novel workbook step by step exercises f - Jul 15 2023

web outlining your novel workbook step by step exercises for planning your best book by weiland k m publication date 2014 topics writing authorship fiction authorship

outlining your novel workbook step by step - Feb 10 2023

web award winning author k m weiland s previous book the bestselling outlining your novel showed writers how to embrace outlines in a way that makes the writing process fun

outlining your novel workbook step by step exercises - Jan 09 2023

web isbn 0985780428 learn how to make your first draft easy award winning author k m weiland s previous book the bestselling outlining your novel showed writers how to

[outlining your novel workbook step by step exercises for](#) - Jan 29 2022

web find helpful customer reviews and review ratings for outlining your novel workbook step by step exercises for planning your best book helping writers become

outlining your novel workbook step by step exercises for - Mar 31 2022

web nov 12 2014 outlining your novel workbook step by step exercises for planning your best book author k m weiland format paperback publish date nov 12 2014

outlining your novel workbook step by step exercises for - Dec 08 2022

web outlining your novel workbook step by step exercises for planning your best book weiland k m amazon com tr kitap

outlining your novel workbook step by step exercises for - Sep 05 2022

web create your own personalized outlining process brainstorm premise and plot ideas discover your characters choose and create the right settings organize your scenes

outlining your novel workbook step by step exercises for - May 01 2022

web containing hundreds of incisive questions and imagination revving exercises this valuable resource will show you how to create your own personalized outlining process

outlining your novel workbook step by step - Jun 02 2022

web jan 1 2014 building upon the principles you ve already learned the outlining your novel workbook presents a guided approach to getting the bones of your story down on

outlining your novel workbook helping writers become authors - Aug 04 2022

web outlining your novel workbook step by step exercises for planning your best book weiland k m 9780985780425 books amazon ca

[outlining your novel workbook step by step exercises for](#) - Jul 03 2022

web outlining your novel workbook step by step exercises for planning your best book free download as pdf file pdf text file txt or read online for free learn how to

pdf epub outlining your novel workbook step by step - Nov 26 2021

outlining your novel workbook step by step exercises for - Oct 06 2022

web create your own personalized outlining process brainstorm premise and plot ideas discover your characters choose and create the right settings organize your scenes

outlining your novel workbook step by step exercises for - Apr 12 2023

web building upon the principles you ve already learned the outlining your novel workbook presents a guided approach to getting the bones of your story down on paper identifying

outlining your novel workbook step by step exercises - Aug 16 2023

web nov 12 2014 4 39 785 ratings70 reviews learn how to make your first draft easy award winning author k m weiland s previous book the bestselling outlining your

outlining your novel workbook step by step exercises for - May 13 2023

web nov 12 2014 learn how to make your first draft easy award winning author k m weiland s previous book the bestselling outlining your novel showed writers how to

outlining your novel workbook step by step exercises for - Jun 14 2023

web nov 11 2014 about this ebook learn how to make your first draft easy award winning author k m weiland s previous book the bestselling outlining your novel showed

outlining your novel workbook step by step exercises for - Mar 11 2023

web buy outlining your novel workbook step by step exercises for planning your best book 2 helping writers become authors workbook by weiland k m isbn

outlining your novel workbook step by step exercises for - Nov 07 2022

web award winning author k m weiland s previous book the bestselling outlining your novel showed writers how to embrace outlines in a way that makes the writing process fun