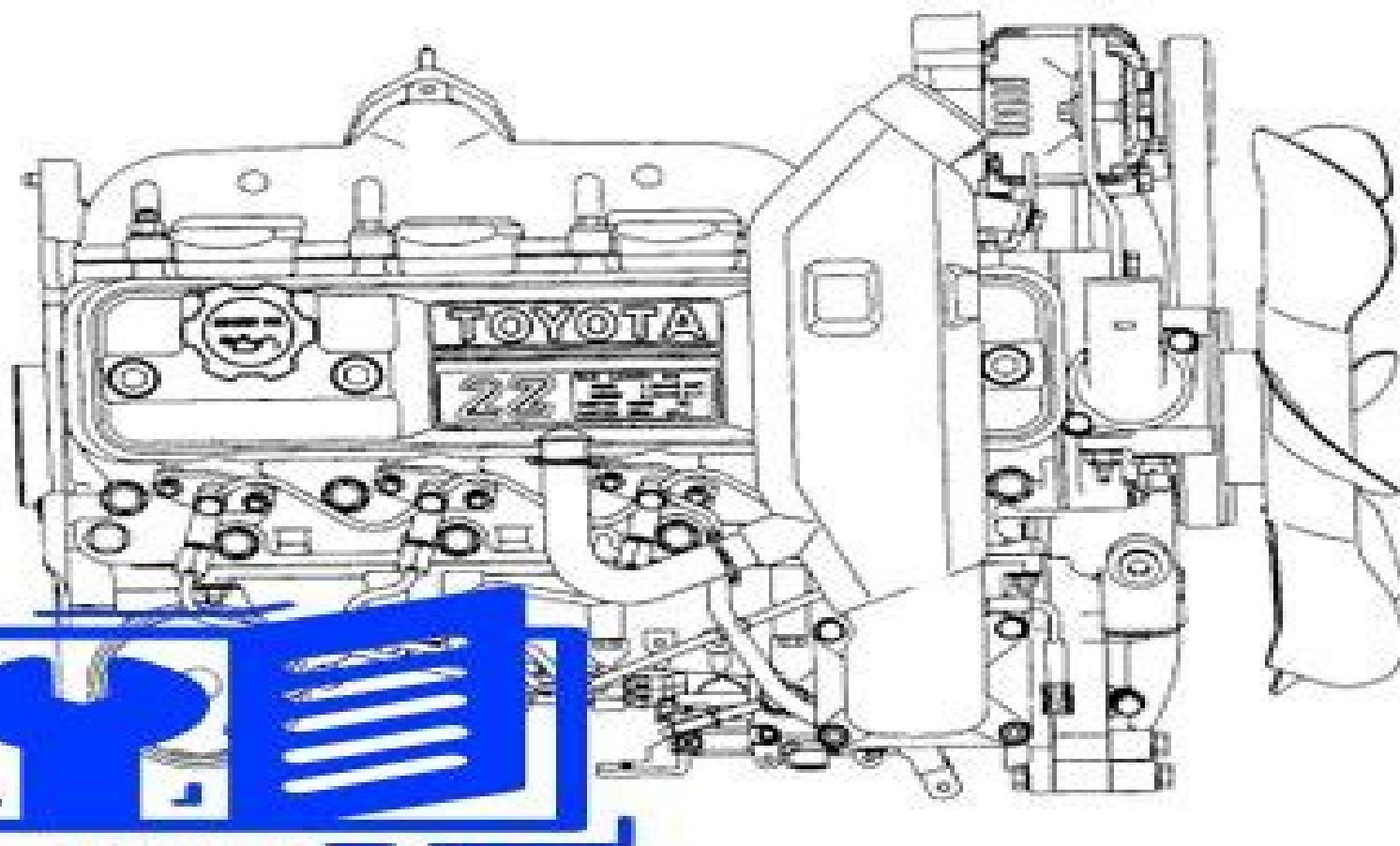


 **TOYOTA**

MATERIAL HANDLING



Cheap Reliable Guaranteed

Toyota 2Z Engine Repair Manual

Toyota Mark 2 Engine Repair Manual

Library of Congress



Toyota Mark 2 Engine Repair Manual:

Haynes Toyota Mark II 6-Cyl Owners Workshop Manual, '72-'76 J. H. Haynes, Peter G. Strasman, 1977 *Chilton's Toyota Corolla 1970-87 Repair Manual* Chilton Book Company, 1995 Total Car Care is the most complete step by step automotive repair manual you ll ever use All repair procedures are supported by detailed specifications exploded views and photographs *Toyota Mark II Owners Workshop Manual* John Harold Haynes, 1974 *Subject Guide to Books in Print*, 1997 *Popular Science*, 1971-12 Popular Science gives our readers the information and tools to improve their technology and their world The core belief that Popular Science and our readers share The future is going to be better and science and technology are the driving forces that will help make it better *National Union Catalog*, 1983 *National Union Catalog*, 1982, 1983 *Forthcoming Books* Rose Army, 1991 *Popular Mechanics*, 1976-05 Popular Mechanics inspires instructs and influences readers to help them master the modern world Whether it s practical DIY home improvement tips gadgets and digital technology information on the newest cars or the latest breakthroughs in science PM is the ultimate guide to our high tech lifestyle **Toyota Corona Mark II Repair Manual** Toyota Jidōsha Hanbai Kabushiki Kaisha. Export-Technical Department, 1968 *Books in Print Supplement*, 1985 *Gale's Auto Sourcebook*, 1992 Guide to information on cars and light trucks *The Publishers' Trade List Annual*, 1985 *Subject Catalog* Library of Congress, 1982 *Subject Guide to Forthcoming Books*, 1983 Presents by subject the same titles that are listed by author and title in Forthcoming books **Books in Print**, 1991 *Popular Mechanics*, 1977-03 Popular Mechanics inspires instructs and influences readers to help them master the modern world Whether it s practical DIY home improvement tips gadgets and digital technology information on the newest cars or the latest breakthroughs in science PM is the ultimate guide to our high tech lifestyle **Subject Catalog, 1982** Library of Congress, 1982 **Saab 900, 16 Valve Official Service Manual, 1985-1993** Bentley, Bentley Publishers, 1993 These official Saab manuals are the only factory authorized comprehensive single source of service information and specifications available Whether you re a professional technician or a do it yourselfer these manuals will help you understand care for and repair your Saab Everything from fundamental automotive concepts and maintenance procedures to complex electrical system troubleshooting and complete engine overhaul is clearly explained Critical updates and information from the Saab Service Information Manual the Parts Service Information System and Saab Service Training have been included as well as fast proven repair procedures and tips used by Saab technicians **American Book Publishing Record**, 2001

Immerse yourself in the artistry of words with Crafted by is expressive creation, Discover the Artistry of **Toyota Mark 2 Engine Repair Manual** . This ebook, presented in a PDF format (*), is a masterpiece that goes beyond conventional storytelling. Indulge your senses in prose, poetry, and knowledge. Download now to let the beauty of literature and artistry envelop your mind in a unique and expressive way.

<http://www.frostbox.com/book/book-search/HomePages/vw%20passat%20bentley%20manual.pdf>

Table of Contents Toyota Mark 2 Engine Repair Manual

1. Understanding the eBook Toyota Mark 2 Engine Repair Manual
 - The Rise of Digital Reading Toyota Mark 2 Engine Repair Manual
 - Advantages of eBooks Over Traditional Books
2. Identifying Toyota Mark 2 Engine Repair Manual
 - Exploring Different Genres
 - Considering Fiction vs. Non-Fiction
 - Determining Your Reading Goals
3. Choosing the Right eBook Platform
 - Popular eBook Platforms
 - Features to Look for in an Toyota Mark 2 Engine Repair Manual
 - User-Friendly Interface
4. Exploring eBook Recommendations from Toyota Mark 2 Engine Repair Manual
 - Personalized Recommendations
 - Toyota Mark 2 Engine Repair Manual User Reviews and Ratings
 - Toyota Mark 2 Engine Repair Manual and Bestseller Lists
5. Accessing Toyota Mark 2 Engine Repair Manual Free and Paid eBooks
 - Toyota Mark 2 Engine Repair Manual Public Domain eBooks
 - Toyota Mark 2 Engine Repair Manual eBook Subscription Services
 - Toyota Mark 2 Engine Repair Manual Budget-Friendly Options

6. Navigating Toyota Mark 2 Engine Repair Manual eBook Formats
 - ePub, PDF, MOBI, and More
 - Toyota Mark 2 Engine Repair Manual Compatibility with Devices
 - Toyota Mark 2 Engine Repair Manual Enhanced eBook Features
7. Enhancing Your Reading Experience
 - Adjustable Fonts and Text Sizes of Toyota Mark 2 Engine Repair Manual
 - Highlighting and Note-Taking Toyota Mark 2 Engine Repair Manual
 - Interactive Elements Toyota Mark 2 Engine Repair Manual
8. Staying Engaged with Toyota Mark 2 Engine Repair Manual
 - Joining Online Reading Communities
 - Participating in Virtual Book Clubs
 - Following Authors and Publishers Toyota Mark 2 Engine Repair Manual
9. Balancing eBooks and Physical Books Toyota Mark 2 Engine Repair Manual
 - Benefits of a Digital Library
 - Creating a Diverse Reading Collection Toyota Mark 2 Engine Repair Manual
10. Overcoming Reading Challenges
 - Dealing with Digital Eye Strain
 - Minimizing Distractions
 - Managing Screen Time
11. Cultivating a Reading Routine Toyota Mark 2 Engine Repair Manual
 - Setting Reading Goals Toyota Mark 2 Engine Repair Manual
 - Carving Out Dedicated Reading Time
12. Sourcing Reliable Information of Toyota Mark 2 Engine Repair Manual
 - Fact-Checking eBook Content of Toyota Mark 2 Engine Repair Manual
 - Distinguishing Credible Sources
13. Promoting Lifelong Learning
 - Utilizing eBooks for Skill Development
 - Exploring Educational eBooks
14. Embracing eBook Trends
 - Integration of Multimedia Elements

- Interactive and Gamified eBooks

Toyota Mark 2 Engine Repair Manual Introduction

Toyota Mark 2 Engine Repair Manual Offers over 60,000 free eBooks, including many classics that are in the public domain. Open Library: Provides access to over 1 million free eBooks, including classic literature and contemporary works. Toyota Mark 2 Engine Repair Manual Offers a vast collection of books, some of which are available for free as PDF downloads, particularly older books in the public domain. Toyota Mark 2 Engine Repair Manual : This website hosts a vast collection of scientific articles, books, and textbooks. While it operates in a legal gray area due to copyright issues, its a popular resource for finding various publications. Internet Archive for Toyota Mark 2 Engine Repair Manual : Has an extensive collection of digital content, including books, articles, videos, and more. It has a massive library of free downloadable books. Free-eBooks Toyota Mark 2 Engine Repair Manual Offers a diverse range of free eBooks across various genres. Toyota Mark 2 Engine Repair Manual Focuses mainly on educational books, textbooks, and business books. It offers free PDF downloads for educational purposes. Toyota Mark 2 Engine Repair Manual Provides a large selection of free eBooks in different genres, which are available for download in various formats, including PDF. Finding specific Toyota Mark 2 Engine Repair Manual, especially related to Toyota Mark 2 Engine Repair Manual, might be challenging as theyre often artistic creations rather than practical blueprints. However, you can explore the following steps to search for or create your own Online Searches: Look for websites, forums, or blogs dedicated to Toyota Mark 2 Engine Repair Manual, Sometimes enthusiasts share their designs or concepts in PDF format. Books and Magazines Some Toyota Mark 2 Engine Repair Manual books or magazines might include. Look for these in online stores or libraries. Remember that while Toyota Mark 2 Engine Repair Manual, sharing copyrighted material without permission is not legal. Always ensure youre either creating your own or obtaining them from legitimate sources that allow sharing and downloading. Library Check if your local library offers eBook lending services. Many libraries have digital catalogs where you can borrow Toyota Mark 2 Engine Repair Manual eBooks for free, including popular titles. Online Retailers: Websites like Amazon, Google Books, or Apple Books often sell eBooks. Sometimes, authors or publishers offer promotions or free periods for certain books. Authors Website Occasionally, authors provide excerpts or short stories for free on their websites. While this might not be the Toyota Mark 2 Engine Repair Manual full book , it can give you a taste of the authors writing style. Subscription Services Platforms like Kindle Unlimited or Scribd offer subscription-based access to a wide range of Toyota Mark 2 Engine Repair Manual eBooks, including some popular titles.

FAQs About Toyota Mark 2 Engine Repair Manual Books

1. Where can I buy Toyota Mark 2 Engine Repair Manual books? Bookstores: Physical bookstores like Barnes & Noble, Waterstones, and independent local stores. Online Retailers: Amazon, Book Depository, and various online bookstores offer a wide range of books in physical and digital formats.
2. What are the different book formats available? Hardcover: Sturdy and durable, usually more expensive. Paperback: Cheaper, lighter, and more portable than hardcovers. E-books: Digital books available for e-readers like Kindle or software like Apple Books, Kindle, and Google Play Books.
3. How do I choose a Toyota Mark 2 Engine Repair Manual book to read? Genres: Consider the genre you enjoy (fiction, non-fiction, mystery, sci-fi, etc.). Recommendations: Ask friends, join book clubs, or explore online reviews and recommendations. Author: If you like a particular author, you might enjoy more of their work.
4. How do I take care of Toyota Mark 2 Engine Repair Manual books? Storage: Keep them away from direct sunlight and in a dry environment. Handling: Avoid folding pages, use bookmarks, and handle them with clean hands. Cleaning: Gently dust the covers and pages occasionally.
5. Can I borrow books without buying them? Public Libraries: Local libraries offer a wide range of books for borrowing. Book Swaps: Community book exchanges or online platforms where people exchange books.
6. How can I track my reading progress or manage my book collection? Book Tracking Apps: Goodreads, LibraryThing, and Book Catalogue are popular apps for tracking your reading progress and managing book collections. Spreadsheets: You can create your own spreadsheet to track books read, ratings, and other details.
7. What are Toyota Mark 2 Engine Repair Manual audiobooks, and where can I find them? Audiobooks: Audio recordings of books, perfect for listening while commuting or multitasking. Platforms: Audible, LibriVox, and Google Play Books offer a wide selection of audiobooks.
8. How do I support authors or the book industry? Buy Books: Purchase books from authors or independent bookstores. Reviews: Leave reviews on platforms like Goodreads or Amazon. Promotion: Share your favorite books on social media or recommend them to friends.
9. Are there book clubs or reading communities I can join? Local Clubs: Check for local book clubs in libraries or community centers. Online Communities: Platforms like Goodreads have virtual book clubs and discussion groups.
10. Can I read Toyota Mark 2 Engine Repair Manual books for free? Public Domain Books: Many classic books are available for free as they're in the public domain. Free E-books: Some websites offer free e-books legally, like Project Gutenberg or Open Library.

Find Toyota Mark 2 Engine Repair Manual :

[vw passat bentley manual](#)

[vw polo 12 tsi](#)

vw manual transmission fill plug

[vw beetle fuse panel](#)

[vw t25 workshop manual](#)

vw ignition wiring diagram

~~vw polo 1998 service manual~~

[vw bora v6 service manual](#)

vw passat service intervals

vw polo console bush installation guide

[vw golf ac system](#)

vw passat b6 wiring diagram

[vw golf mk5 manual tpms](#)

vw rabbit bentley manual

[vw 2015 passat fsi manual](#)

Toyota Mark 2 Engine Repair Manual :

what are ford motorcraft parts and where can i purchase them - Jul 01 2022

web motorcraft parts include tyres batteries brakes and shock absorbers as well as other common parts for more information contact your local ford dealership or visit

[find stores with motorcraft parts motorcraft dealers near you](#) - Aug 02 2022

web search by city state zip to find dealers and repair shops that sell motorcraft parts near you motorcraft offers premium aftermarket replacement parts for your ford and lincoln

ids calibration software update process - Nov 24 2021

web jan 21 2015 ids calibration software update process motorcraftservice com ids calibration software update process motorcraftservice com

ford service ford owner support - Jan 07 2023

web use ford services for tires brakes wiper blades filters oil change battery maintenance and more get roadside assistance

ford protect extended warranty plans ford parts

ford diagnose apps on google play - Mar 29 2022

web aug 1 2023 view service bulletins and messages for diagnostic trouble codes read from the vehicle all this can be done on any 2010 or newer ford lincoln and mercury

fjdssupport fordserviceinfo com - Jul 13 2023

web fjds is designed for use with j2534 compatible vehicle communications interfaces vci including ford diagnostic hardware vcm ii or vcmm the fjds software license

what are ford motorcraft parts ford australia - Dec 26 2021

web ford motorcraft is a range of parts designed for older ford vehicles as well as providing competitively priced servicing and repairs ford motorcraft parts offers value for money

usa motorcraft technical resources - Feb 08 2023

web motorcraft technical resources find wiring diagrams diagnostic tool support owner guides repair manuals and more some resources may require a subscription or fee

usa motorcraft professional service network - Sep 03 2022

web home professional service network independent repair shops who are loyal motorcraft omnicraft and ford parts customers can take advantage of a host of exclusive

fjdssupport fordserviceinfo com - May 11 2023

web software manuals fdrs faq fdrs quick reference guide ids software updates ids user manual ids web download guide vcm ii customer flight recorder operator s

motorcraft service elektrik mekanik İstanbul esenler - Oct 04 2022

web motorcraft service elektrik mekanik ana sayfa firma rehberi firma detay İstanbul esenler 12 nisan 2020 37 0 0 İşletme id 690462 motorcraft service elektrik

usa motorcraft - May 31 2022

web from product spotlights to tech tips helpful tools to breaking news here s where you ll find useful motorcraft parts info that will keep you in the know get news tips

fjdssupport fordserviceinfo com - Jun 12 2023

web jun 28 2023 software download software download links step 1 download diagnostic software then install diagnostic software ids 129 full fjds 129 full fdrs 37 4 4

motorcraftservice com - Apr 10 2023

web motorcraftservice com

global fdrs quick reference guide - Nov 05 2022

web 1 log in select dealer or non dealer enter etis pts or motorcraft service id enter password to log into ford network 2 license information is shown network settings are

motorcraft service elektrik mekanik yorumlar fotoğraflar - Apr 29 2022

web motorcraft service elektrik mekanik fotoğraflar ve yorum için nicelocal biz tr web sitesini ziyaret edin İletişim bilgileri Şirket adı servis metro istasyonu bölge ve diğer anahtar

usa motorcraft total parts lineup - Feb 25 2022

web motorcraft premium aftermarket replacement parts for ford and lincoln vehicles tested to provide performance and long life reliability two year unlimited mileage warranty labor

where can i get self repair and technical information - Dec 06 2022

web the motorcraft service website has a variety of resources for self repair and technical information to get started visit the motorcraft service website and select your

motorcraft service yorumlar fotoğraflar telefon numaraları ve - Mar 09 2023

web motorcraft service terazidere metro İstasyonuna yakın fotoğraflar ve yorumlar için nicelocal biz tr web sitesini ziyaret edin İletişim bilgileri

usa motorcraft products - Jan 27 2022

web motorcraft parts deliver the oe fit and function you need for ford and lincoln models and that s not surprising after all they were engineered by the same people who engineered

motorcraftservice com - Aug 14 2023

web please select country country

libros castillo geografia - Mar 23 2022

web libros castillo geografia 2021 02 27 lowery stewart geografia general del pais vasco navarro legare street press el libro jubilar en homenaje al profesor antonio gil olcina versión ampliada coordinado por los profesores jorge olcina cantos y antonio m rico amorós incluye

libros castillo geografia full pdf - Aug 28 2022

web libros castillo geografia libro jubilar en homenaje al profesor antonio gil olcina versión ampliada nov 14 2019 el libro jubilar en homenaje al profesor antonio gil olcina versión ampliada coordinado por los profesores jorge olcina cantos y antonio m rico amorós incluye setenta y seis colaboraciones invitadas

ciclo escolar 2021 2022 geografía gob - May 05 2023

web y los maestros del sistema educativo nacional elegir los libros de texto y los materiales que más se adecuen a su método

de enseñanza para que estos sean utilizados a lo largo del ciclo escolar se lleva a cabo mediante un sistema electrónico que permite la consulta de los libros autorizados por la secretaría de edu

[geografía 1 editorial castillo travesías gratis libros](#) - Mar 03 2023

web descargar geografía 1 castillo pdf el libro de geografía de primer grado de secundaria de la editorial castillo travesías es reconocido como un excelente libro que le encanta tanto a los profesores como a los estudiantes si buscas otro libro de geografía 1 de secundaria pdf haz clic en el enlace están todos los de primer año

libro de geografía primer grado de secundaria ediciones castillo - May 25 2022

web aug 15 2023 geografía ediciones castillo el libro de geografía ediciones castillo se erige con el propósito fundamental de acercarte de manera profunda y significativa al análisis y comprensión de los acontecimientos que tienen lugar tanto en México como en el contexto global

imagina ediciones castillo - Nov 30 2022

web imagina ediciones castillo imagina es la nueva serie de ediciones castillo para preescolar primaria y secundaria un proyecto que responde al contexto educativo actual concebido de manera integral con componentes impresos y digitales que ofrece a los colegios metodologías sistemáticas y efectivas para el logro de aprendizajes

colección de libros de castillos artegúas - Feb 19 2022

web colección de libros sobre castillos arquitectura militar del medievo editorial hiare autor ernesto ballesteros arranz isbn 978 84 15855 18 7 publicación 2013 páginas 24 medidas 15 x 21 cm fotografías sí resumen desde tiempos de los iberos y de los celtíberos los lugares adecuados para la defensa o el

descarga los libros de editorial castillo secundaria - Oct 30 2022

web geografía 1 castillo infinita biología 1 castillo infinita biología 1 castillo travesías segundo de secundaria para descargar en pdf física 2 editorial castillo sin fronteras física 2 editorial castillo infinita física 2 editorial castillo travesías matemáticas 2 editorial castillo infinita matemáticas 2

[geografía infinita ediciones castillo](#) - Oct 10 2023

web pages 100 101 pages 102 103 pages 104 105

libros de geografía 1 de secundaria 2023 2024 descargar pdf - Jan 01 2023

web ediciones castillo geografía de primer grado editorial trillas libro de geografía ediciones sm conecta más libro de geografía ek editores libro geografía i editorial santillana geografía fernández editores geografía interacción con el mundo social y natural norma ediciones libro de geografía

geografía 1 editorial castillo infinita gratis libros de - Aug 08 2023

web el libro de geografía de primer grado de secundaria de la editorial castillo infinita es uno de los libros de geografía más

solicitados y usados por maestras y profesores del área ya que además de cumplir con las especificaciones de la sep lo hace de una forma didáctica y entretenida

[libro de geografía primer grado de secundaria ediciones castillo](#) - Jul 27 2022

web libro de geografía primer grado de secundaria ediciones castillo descargar en pdf Última vez actualizado aprendiendo con alegría descarga gratis el libro de geografía primer grado de secundaria actualizado y preparado por expertos de conaliteg el contenido de este libro es justo lo que tus pequeños

app castillo app castillo - Feb 02 2023

web desde castillo digital puede acceder a nuestros libros y otros recursos aunque no tenga conexión a internet con múltiples recursos de acuerdo con la serie seleccionada usted puede acceder y descargar el libro digital del alumno para proyectar en el aula o utilizar en línea diferentes recursos complementarios

[geografía para bachillerato universitario 1a ed berenice castillo](#) - Apr 04 2023

web jul 16 2013 geografía para bachillerato universitario berenice castillo gonzález geografía para bachillerato universitario berenice castillo gonzález revisión técnica dr ernesto sánchez suárez

[libros castillo geografía](#) - Apr 23 2022

web tercer año escolar libro primero de geografía de colima paisaje cultura territorial y vivencia de la geografía bibliografía peruana geografía de lo invisible dibujo del joven rebelde apéndice al diccionario universal de historia y de geografía libros castillo geografía downloaded from ai classmonitor com by guest lopez jaylin

[geografía 1 ediciones castillo](#) - Sep 09 2023

web geografía 1 propuesta flexible e integral que incluye libro de texto cuaderno de evidencias y entorno digital los contenidos se trabajan en lecciones a partir de una dosificación sustentada en la carga horaria real de cada asignatura

[libro geografía 1 grado secundaria ediciones castillo pdf gratis](#) - Sep 28 2022

web jun 23 2023 encuentra la descarga del libro de geografía primer grado de secundaria ediciones castillo de forma gratuita de la conaliteg comisión nacional de libros de texto gratuitos 100 actualizados para el actual ciclo escolar 2023 2024

geografía 1 infinita primer grado libros conaliteg - Jun 06 2023

web a continuación podrá visualizar y descargar el libro de geografía de primer grado de secundaria de la editorial ediciones castillo nivel secundaria grado primer grado asignatura geografía libro geografía 1 infinita editorial ediciones castillo

[libro de geografía primer grado de secundaria editorial castillo](#) - Jun 25 2022

web aug 15 2023 puedes obtener el libro de libro de geografía editorial castillo primer grado de secundaria mediante una descarga disponible aquí el material educativo que ofrecemos es un libro de texto completamente actualizado diseñado específicamente para alumnos de primaria

geografía guía para docentes serie travesías editorial castillo - Jul 07 2023

web travesías secundaria t 1 7 71 castillo guío poro docentes l j a acmr lan education company ffiftÜiston dÉncr gi adaldddtrtüéna ffi eÉg ugffi ff giu r r ión vá ttse presentación estimado profesor e quetodos los niños y adolescentes delpaistengan la oportunidad de aprender demanda que las cuestiones sobre qué enseñar y

someday someday maybe by lauren graham overdrive - Mar 09 2023

web apr 30 2013 someday someday maybe is a story about hopes and dreams being young in a city and wanting something deeply madly desperately it s about finding

someday someday maybe a novel graham lauren free - Aug 02 2022

web apr 24 2014 someday someday maybe is a story about hopes and dreams being young in a city and wanting something deeply madly desperately it s about finding

someday someday maybe audiobook by lauren - Nov 05 2022

web listen to someday someday maybe a novel by lauren graham available from rakuten kobo narrated by lauren graham start a free 30 day trial today and get your first

someday someday maybe a novel audible audio edition - Feb 08 2023

web someday someday maybe a novel audible audiobook unabridged lauren graham author narrator random house audio publisher 4 1 4 1 out of 5 stars 3 964 ratings

someday someday maybe audiobook download listen now - Aug 22 2021

web apr 30 2013 someday someday maybe is a story about hopes and dreams being young in a city and wanting something deeply madly desperately it s about finding

someday maybe by onyi nwabineli audiobook audible com - Jan 27 2022

web someday maybe by onyi nwabineli audiobook audible com browse sample someday maybe by onyi nwabineli narrated by adjoa andoh length 11 hrs and 7

someday someday maybe a novel amazon com - May 31 2022

web mar 25 2014 someday someday maybe is a story about hopes and dreams being young in a city and wanting something deeply madly desperately it s about finding

maybe someday audiobook audible free download borrow - Jul 01 2022

web maybe someday audiobook audible free download borrow and streaming internet archive webamp volume 90 1 maybe someday audiobook 10 39 16

someday someday maybe audiobook by lauren graham - May 11 2023

web jan 1 2013 get someday someday maybe audiobook by lauren graham on speechify and enjoy the best listening

experience if this is your first book get it for free try

amazon com maybe someday audible audio edition colleen - Sep 03 2022

web maybe someday audible audiobook unabridged colleen hoover author zachary webber narrator angela goethals narrator simon schuster audio publisher 1

someday someday maybe by lauren graham audiobook - Apr 10 2023

web someday someday maybe as it s meant to be heard narrated by lauren graham discover the english audiobook at audible free trial available

someday someday maybe free audiobook writen by lauren - Jun 12 2023

web jun 2 2023 someday someday maybe is a romance fiction novel it is written and narrated by lauren graham she is an actress and author from the usa apart from her

some parents in lahaina fight to keep their school and kids - Nov 24 2021

web 23 hours ago lahaina hawaii on a hot morning in lahaina a few weeks after the wildfires some 500 parents teachers and students gathered under an outdoor tent

libro fm someday maybe audiobook - Feb 25 2022

web nov 1 2022 someday maybe is a stunning witty debut novel about a young woman s emotional journey through unimaginable loss pulled along by her tight knit nigerian

someday maybe audiobooks com - Dec 26 2021

web nov 3 2022 stunningly honest and bursting with wit someday maybe is the story of grief and resilience that you won t be able to stop talking about br here are three things

someday someday maybe a novel google play - Jan 07 2023

web someday someday maybe a novel audiobook written by lauren graham narrated by lauren graham get instant access to all your favorite books no monthly commitment

someday someday maybe by lauren graham - Aug 14 2023

web someday someday maybe is a story about hopes and dreams being young in a city and wanting something deeply madly desperately it s about finding love finding yourself

someday someday maybe a novel audio book by lauren - Sep 22 2021

web listen to someday someday maybe a novel audio book by lauren graham stream and download audiobooks to your computer tablet or mobile phone bestsellers and

someday someday maybe by lauren graham 9780345532763 - Mar 29 2022

web someday someday maybe by lauren graham 9780345532763 penguinrandomhouse com books new york times bestseller

from lauren

maybe someday by colleen hoover audiobook audible com - Apr 29 2022

web maybe someday as it s meant to be heard narrated by zachary webber angela goethals discover the english audiobook at audible free trial available

libro fm someday someday maybe audiobook - Oct 24 2021

web apr 30 2013 someday someday maybe is a story about hopes and dreams being young in a city and wanting something deeply madly desperately it s about finding

someday someday maybe a novel amazon com - Jul 13 2023

web audible audiobook unabridged from lauren graham the beloved star of gilmore girls and parenthood comes a witty charming and hilariously relatable debut novel about a

someday someday maybe a novel audiobooks com - Dec 06 2022

web apr 30 2013 someday someday maybe is a story about hopes and dreams being young in a city and wanting something deeply madly desperately it s about finding

someday someday maybe audiobook by lauren graham - Oct 04 2022

web someday someday maybe a novel audiobook by lauren graham flexpass price 17 95 9 95 for new members add to cart learn more or regular price 20 95 add to