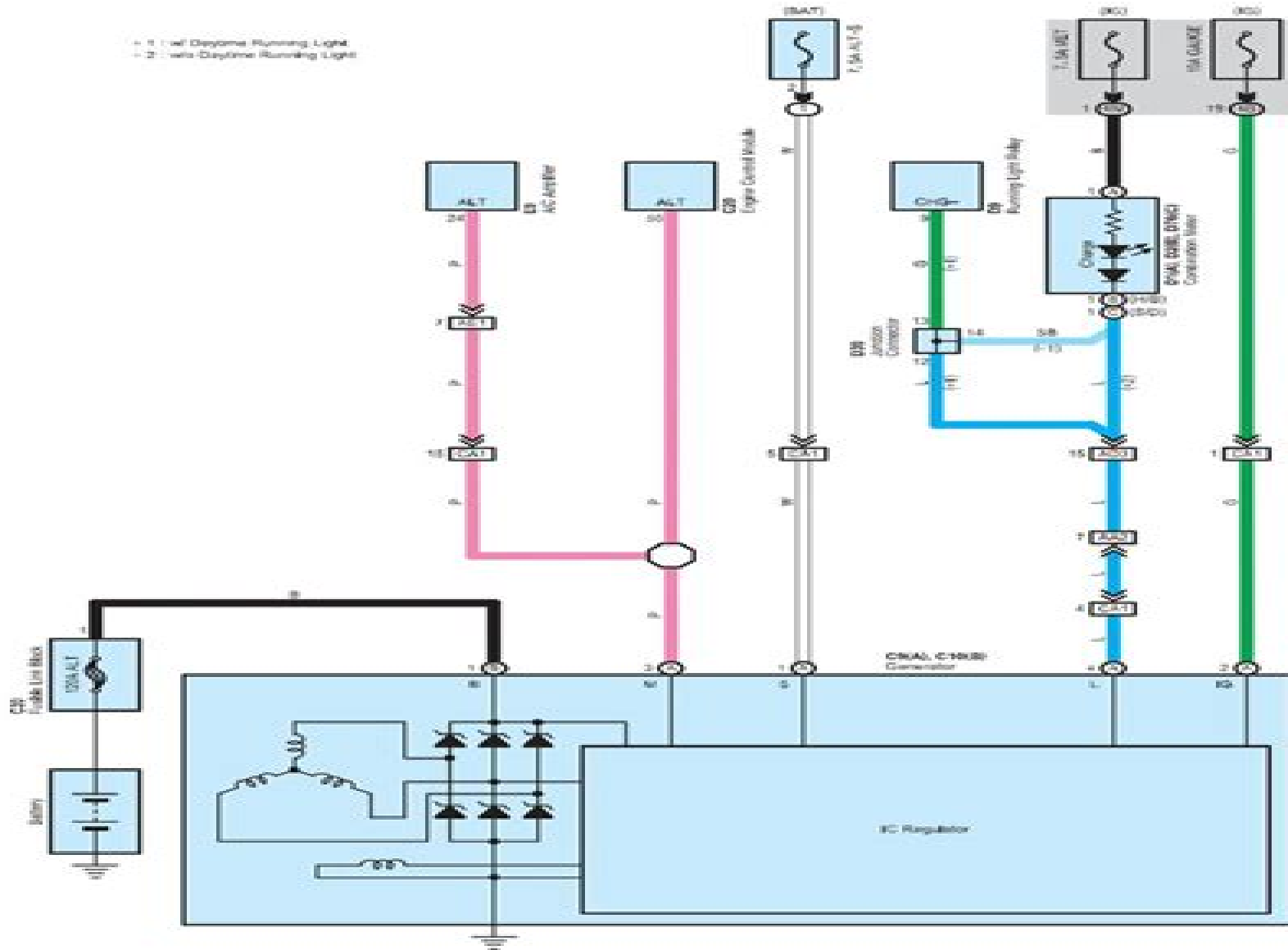


Charging



Toyota Vitz Wiring Drawing Schematic

Toyota Jidōsha Kabushiki Kaisha



Toyota Vitz Wiring Drawing Schematic:

The New Automotive 42V PowerNet Alfons Graf,2001 **Meyer Distributing 2008** , *Toyota Rav 4* Toyota Motor Corporation,1994 **Toyota Electrical Wiring Diagram, 1979 Model** Toyota Motor Corp,1979 **Toyota** Toyota Motor Corporation. Overseas Service Dept,1987 **Toyota Electrical Wiring Diagram for U.S.A. & Canada** Toyota Jidōsha Hanbai Kabushiki Kaisha,1976 **Toyota Electrical Wiring Diagram** Toyota Jidōsha Hanbai Kabushiki Kaisha,1981 **Toyota Electrical Wiring Diagram Supplement** ,1989 **Automotive Wiring Manual** Harry Lorin Wells,Allan J. Pierson,Datus M. Pierson,1918 **Toyota Camry Electrical Wiring Diagram** Toyota Jidōsha Kabushiki Kaisha,19??
Toyota Corolla FF Electrical Wiring Diagram ,1983 Toyota Celica Electrical Wiring Diagram Toyota Jidōsha Kabushiki Kaisha,19?? **Toyota Electrical Wiring Diagram, Starlet, 1983 Model** ,1982 **Toyota Electrical Wiring Diagram** ,1976 This booklet contains electrical wiring diagrams for all commercial cars of Toyota vehicles except the U S A and Canada **Toyota Electrical Wiring Diagram** Toyota Jidōsha Kabushiki Kaisha,1987 Toyota Electrical Wiring Diagram ,1979 Toyota Electrical Wiring Diagram ,1982 *Toyota Starlet Electrical Wiring Diagram* Toyota Jidōsha Kabushiki Kaisha. Overseas Service Department,1985 **Toyota electrical wiring diagram, 1978** , 1988 Toyota Electrical Wiring Diagram ,1987

When people should go to the books stores, search inauguration by shop, shelf by shelf, it is really problematic. This is why we offer the books compilations in this website. It will very ease you to see guide **Toyota Vitz Wiring Drawing Schematic** as you such as.

By searching the title, publisher, or authors of guide you truly want, you can discover them rapidly. In the house, workplace, or perhaps in your method can be all best place within net connections. If you object to download and install the Toyota Vitz Wiring Drawing Schematic, it is agreed simple then, past currently we extend the partner to buy and make bargains to download and install Toyota Vitz Wiring Drawing Schematic as a result simple!

http://www.frostbox.com/files/Resources/default.aspx/Wiley_Plus_Answers_Chapter_6.pdf

Table of Contents Toyota Vitz Wiring Drawing Schematic

1. Understanding the eBook Toyota Vitz Wiring Drawing Schematic
 - The Rise of Digital Reading Toyota Vitz Wiring Drawing Schematic
 - Advantages of eBooks Over Traditional Books
2. Identifying Toyota Vitz Wiring Drawing Schematic
 - Exploring Different Genres
 - Considering Fiction vs. Non-Fiction
 - Determining Your Reading Goals
3. Choosing the Right eBook Platform
 - Popular eBook Platforms
 - Features to Look for in an Toyota Vitz Wiring Drawing Schematic
 - User-Friendly Interface
4. Exploring eBook Recommendations from Toyota Vitz Wiring Drawing Schematic
 - Personalized Recommendations
 - Toyota Vitz Wiring Drawing Schematic User Reviews and Ratings
 - Toyota Vitz Wiring Drawing Schematic and Bestseller Lists

5. Accessing Toyota Vitz Wiring Drawing Schematic Free and Paid eBooks
 - Toyota Vitz Wiring Drawing Schematic Public Domain eBooks
 - Toyota Vitz Wiring Drawing Schematic eBook Subscription Services
 - Toyota Vitz Wiring Drawing Schematic Budget-Friendly Options
6. Navigating Toyota Vitz Wiring Drawing Schematic eBook Formats
 - ePub, PDF, MOBI, and More
 - Toyota Vitz Wiring Drawing Schematic Compatibility with Devices
 - Toyota Vitz Wiring Drawing Schematic Enhanced eBook Features
7. Enhancing Your Reading Experience
 - Adjustable Fonts and Text Sizes of Toyota Vitz Wiring Drawing Schematic
 - Highlighting and Note-Taking Toyota Vitz Wiring Drawing Schematic
 - Interactive Elements Toyota Vitz Wiring Drawing Schematic
8. Staying Engaged with Toyota Vitz Wiring Drawing Schematic
 - Joining Online Reading Communities
 - Participating in Virtual Book Clubs
 - Following Authors and Publishers Toyota Vitz Wiring Drawing Schematic
9. Balancing eBooks and Physical Books Toyota Vitz Wiring Drawing Schematic
 - Benefits of a Digital Library
 - Creating a Diverse Reading Collection Toyota Vitz Wiring Drawing Schematic
10. Overcoming Reading Challenges
 - Dealing with Digital Eye Strain
 - Minimizing Distractions
 - Managing Screen Time
11. Cultivating a Reading Routine Toyota Vitz Wiring Drawing Schematic
 - Setting Reading Goals Toyota Vitz Wiring Drawing Schematic
 - Carving Out Dedicated Reading Time
12. Sourcing Reliable Information of Toyota Vitz Wiring Drawing Schematic
 - Fact-Checking eBook Content of Toyota Vitz Wiring Drawing Schematic
 - Distinguishing Credible Sources
13. Promoting Lifelong Learning

- Utilizing eBooks for Skill Development
 - Exploring Educational eBooks
14. Embracing eBook Trends
- Integration of Multimedia Elements
 - Interactive and Gamified eBooks

Toyota Vitz Wiring Drawing Schematic Introduction

Free PDF Books and Manuals for Download: Unlocking Knowledge at Your Fingertips In today's fast-paced digital age, obtaining valuable knowledge has become easier than ever. Thanks to the internet, a vast array of books and manuals are now available for free download in PDF format. Whether you are a student, professional, or simply an avid reader, this treasure trove of downloadable resources offers a wealth of information, conveniently accessible anytime, anywhere. The advent of online libraries and platforms dedicated to sharing knowledge has revolutionized the way we consume information. No longer confined to physical libraries or bookstores, readers can now access an extensive collection of digital books and manuals with just a few clicks. These resources, available in PDF, Microsoft Word, and PowerPoint formats, cater to a wide range of interests, including literature, technology, science, history, and much more. One notable platform where you can explore and download free Toyota Vitz Wiring Drawing Schematic PDF books and manuals is the internet's largest free library. Hosted online, this catalog compiles a vast assortment of documents, making it a veritable goldmine of knowledge. With its easy-to-use website interface and customizable PDF generator, this platform offers a user-friendly experience, allowing individuals to effortlessly navigate and access the information they seek. The availability of free PDF books and manuals on this platform demonstrates its commitment to democratizing education and empowering individuals with the tools needed to succeed in their chosen fields. It allows anyone, regardless of their background or financial limitations, to expand their horizons and gain insights from experts in various disciplines. One of the most significant advantages of downloading PDF books and manuals lies in their portability. Unlike physical copies, digital books can be stored and carried on a single device, such as a tablet or smartphone, saving valuable space and weight. This convenience makes it possible for readers to have their entire library at their fingertips, whether they are commuting, traveling, or simply enjoying a lazy afternoon at home. Additionally, digital files are easily searchable, enabling readers to locate specific information within seconds. With a few keystrokes, users can search for keywords, topics, or phrases, making research and finding relevant information a breeze. This efficiency saves time and effort, streamlining the learning process and allowing individuals to focus on extracting the information they need. Furthermore, the availability of free PDF books and manuals fosters a culture of continuous learning. By removing financial barriers, more people can access educational resources and pursue lifelong

learning, contributing to personal growth and professional development. This democratization of knowledge promotes intellectual curiosity and empowers individuals to become lifelong learners, promoting progress and innovation in various fields. It is worth noting that while accessing free Toyota Vitz Wiring Drawing Schematic PDF books and manuals is convenient and cost-effective, it is vital to respect copyright laws and intellectual property rights. Platforms offering free downloads often operate within legal boundaries, ensuring that the materials they provide are either in the public domain or authorized for distribution. By adhering to copyright laws, users can enjoy the benefits of free access to knowledge while supporting the authors and publishers who make these resources available. In conclusion, the availability of Toyota Vitz Wiring Drawing Schematic free PDF books and manuals for download has revolutionized the way we access and consume knowledge. With just a few clicks, individuals can explore a vast collection of resources across different disciplines, all free of charge. This accessibility empowers individuals to become lifelong learners, contributing to personal growth, professional development, and the advancement of society as a whole. So why not unlock a world of knowledge today? Start exploring the vast sea of free PDF books and manuals waiting to be discovered right at your fingertips.

FAQs About Toyota Vitz Wiring Drawing Schematic Books

What is a Toyota Vitz Wiring Drawing Schematic PDF? A PDF (Portable Document Format) is a file format developed by Adobe that preserves the layout and formatting of a document, regardless of the software, hardware, or operating system used to view or print it. **How do I create a Toyota Vitz Wiring Drawing Schematic PDF?** There are several ways to create a PDF: Use software like Adobe Acrobat, Microsoft Word, or Google Docs, which often have built-in PDF creation tools. Print to PDF: Many applications and operating systems have a "Print to PDF" option that allows you to save a document as a PDF file instead of printing it on paper. Online converters: There are various online tools that can convert different file types to PDF. **How do I edit a Toyota Vitz Wiring Drawing Schematic PDF?** Editing a PDF can be done with software like Adobe Acrobat, which allows direct editing of text, images, and other elements within the PDF. Some free tools, like PDFescape or Smallpdf, also offer basic editing capabilities. **How do I convert a Toyota Vitz Wiring Drawing Schematic PDF to another file format?** There are multiple ways to convert a PDF to another format: Use online converters like Smallpdf, Zamzar, or Adobe Acrobats export feature to convert PDFs to formats like Word, Excel, JPEG, etc. Software like Adobe Acrobat, Microsoft Word, or other PDF editors may have options to export or save PDFs in different formats. **How do I password-protect a Toyota Vitz Wiring Drawing Schematic PDF?** Most PDF editing software allows you to add password protection. In Adobe Acrobat, for instance, you can go to "File" -> "Properties" -> "Security" to set a password to restrict access or editing capabilities. Are there any free alternatives to Adobe Acrobat for working with PDFs? Yes, there are

many free alternatives for working with PDFs, such as: LibreOffice: Offers PDF editing features. PDFsam: Allows splitting, merging, and editing PDFs. Foxit Reader: Provides basic PDF viewing and editing capabilities. How do I compress a PDF file? You can use online tools like Smallpdf, ILovePDF, or desktop software like Adobe Acrobat to compress PDF files without significant quality loss. Compression reduces the file size, making it easier to share and download. Can I fill out forms in a PDF file? Yes, most PDF viewers/editors like Adobe Acrobat, Preview (on Mac), or various online tools allow you to fill out forms in PDF files by selecting text fields and entering information. Are there any restrictions when working with PDFs? Some PDFs might have restrictions set by their creator, such as password protection, editing restrictions, or print restrictions. Breaking these restrictions might require specific software or tools, which may or may not be legal depending on the circumstances and local laws.

Find Toyota Vitz Wiring Drawing Schematic :

wiley plus answers chapter 6

[wileyplus-accounting-test-answers](#)

[wiley plus acct 1 answers](#)

[why go to confession](#)

[william stallings data computer communications solution manual](#)

wild texas winds

[wiley exercise 14 15 intermediate accounting](#)

wifey book judy blume

wild mushroom soup, recipe, cruise

[wiley 11th hour guide for 2level ii cfa exam](#)

[whole foods cake recipe](#)

whole grilled chicken recipe

[wife by wednesday weekday brides series book 1](#)

who done it jon scieszka

wiley and pratt essential biochemistry solutions manual

Toyota Vitz Wiring Drawing Schematic :

book modern digital and analog communication systems 4th - Sep 10 2022

web dec 18 2017 book modern digital and analog communication systems 4th edition by lathi topics digital and analog collection opensource language english digital and analog communication system addeddate

modern digital and analog communication systems the oxford - May 18 2023

web jan 23 2009 modern digital and analog communication systems is suitable for students with or without prior knowledge of probability theory only after laying a solid foundation in how communication systems work do the authors delve into analyses of communication systems that require probability theory and random processes

modern digital and analog communication oxford university press - Jan 02 2022

web modern digital and analog communication b p lathi zhi ding hari mohan gupta about the book to find out more and read a sample chapter see the catalogue

modern digital and analog communication oxford university press - Jan 14 2023

web jun 9 2022 modern digital and analog communication systems fifth edition mdac 5exe is the latest edition of the landmark communications systems textbook by one of electrical engineering s most prolific educators b p lathi and co author zhi ding

modern digital and analog communication systems 4e - Feb 03 2022

web this adapted version of modern digital and analog communication systems international fourth edition is designed to serve as a textbook for the undergraduate students of electrical electronics and communication engineering retaining the unique pedagogical style of the previous editions the book first introduces the fundamentals of

modern digital and analog communication systems - Jul 08 2022

web 25 07 2017 paperback 984 pages 241 0x184 0mm view larger fourth edition b p lathi zhi ding hari mohan gupta this adapted version of modern digital and analog communication systems international fourth edition is designed to serve as a textbook for the undergraduate students of electrical electronics and communication engineering

modern digital and analog communication systems worldcat org - Aug 09 2022

web modern digital and analog communication systems 18 reviews authors b p lathi zhi ding summary an introduction to communication systems in electrical engineering modern digital and analog communication systems is now in its fourth edition

modern digital and analog communication systems - Mar 16 2023

web oxford university press 2019 digital communications 993 pages as engineering students become more and more aware of the important role that communication systems play in modern

modern digital and analog communication hardcover b p - Apr 05 2022

web feb 9 2018 a new focus on the theory and practice of broadly deployed digital communication systems a reorganization

of analog versus digital communications that emphasizes the digital communication aspects without weakening the fundamentals more illustrative examples in chapters 5 6 10 12 and 13

[modern digital and analog communication systems](#) - Mar 04 2022

web modern digital and analog communication systems by lathi b p bhagwandas pannalal publication date 1995 topics telecommunication systems digital communications statistical communication theory publisher

modern digital and analog communications systems 4e ise - Jun 07 2022

web modern digital and analog communication systems is ideal for the first communication systems course for electrical and computer engineers it offers its readers a consistently superb pedagogical style and explains complex subjects and concepts clearly using both mathematics and heuristics

modern digital and analog communication systems 5e - Dec 13 2022

web to captivate students attention and stimulate their imaginations modern digital and analog communication fifth edition places strong emphasis on connecting fundamental concepts of communication theory to students daily

[modern digital and analog communications systems the](#) - Jul 20 2023

web ideal for the first communication systems course for electrical engineers modern digital and analog communication systems offers students a superb pedagogical style it consistently does an excellent job of explaining difficult concepts clearly using prose as well as mathematics

modern digital and analog communications systems - Jun 19 2023

web jul 2 2009 modern digital and analog communication systems is ideal for the first communication systems course for electrical and computer engineers it offers its readers a consistently superb pedagogical style and explains complex subjects and concepts clearly using both mathematics and heuristics

modern digital and analog communications systems oxf ser - Apr 17 2023

web modern digital and analog communication systems is ideal for the first communication systems course for electrical and computer engineers it offers its readers a consistently superb pedagogical style and explains complex subjects and concepts clearly using both mathematics and heuristics this new edition seamlessly incorporates many new

[modern digital and analog communication systems](#) - Oct 11 2022

web ideal for the first communication systems course for electrical engineers modern digital and analog communication systems offers students a superb pedagogical style it consistently does an excellent job of explaining difficult concepts clearly using prose as well as mathematics

digital and analog communication systems guide books - May 06 2022

web in summary this book covers the essentials needed for the understanding of wire and wireless communication systems

and includes adopted standards these essentials are how communication systems work chapters 1 through 5 the effect of noise chapters 6 and 7 wire and wireless communication systems chapter 8
modern digital and analog communications systems b p lathi - Aug 21 2023
web modern digital and analog communications systems b p lathi 3rd ed pdf google drive
modern digital and analog communication systems 3e osece guide books - Nov 12 2022
web ideal for the first communication systems course for electrical engineers modern digital and analog communication systems offers students a superb pedagogical style it consistently does an excellent job of explaining difficult concepts clearly using prose as well as mathematics
modern digital and analog communication systems guide books - Feb 15 2023
web abstract from the publisher lathi s trademark user friendly and highly readable text presents a complete and modern treatment of communication systems it begins by introducing students to the basics of communication systems without using
multinational business finance 13th edition answer key 2023 - Jun 24 2022
web multinational business finance 13th edition answer key 1 omb no 1789803463205 multinational business finance 13th edition answer key international financial management abridged international corporate finance drawdown corporate finance principles of managerial finance corporate finance workbook economics of the
multinational business finance 13th edition answer key full pdf - Feb 01 2023
web multinational business finance 13th edition answer key 1 multinational business finance 13th edition answer key multinational business finance corporate finance and the securities laws multinational business finance global edition fundamentals of investing principles of corporate finance international financial management
multinational business finance 13th edition eiteman solutions - Dec 31 2022
web description multinational business finance 13th edition eiteman solutions manual this is not the text book you are buying solutions manual for multinational business finance 13th edition by eiteman solutions manual comes in a pdf or word format and available for download only
multinational business finance 13th edition answer key copy - Oct 29 2022
web multinational business finance 13th edition answer key managerial finance fundamentals of multinational finance international corporate finance international financial management fundamentals of multinational finance principles and applications corporate finance value creation with currency derivatives in global capital markets
multinational business finance 13th edition answer key pdf - Sep 27 2022
web economics of the international financial system multinational business finance global edition applied corporate finance 4th edition multinational finance corporate finance workbook multinational business finance multinational business finance

13th edition answer key downloaded from staging philanthropi com by guest

chp3 multinational business finance 14th edition studocu - Mar 02 2023

web multinational business finance 14th edition solutions manual eiteman stonehill moffett solutions manual answer key instructor s resource manual for all chapters excel solutions are included download testbankarea download multinational business finance 14th edition solutions manual eiteman stonehill moffett

multinational business finance textbook solutions chegg com - Jun 05 2023

web multinational business finance 13th edition by michael h moffett david k eiteman arthur i stonehill 678 multinational business finance 13th edition by michael h moffett david k eiteman arthur i stonehill 678 multinational business finance 14th edition by michael h moffett david k eiteman arthur i stonehill 15

multinational business finance 13th edition answer key 2023 - Apr 22 2022

web multinational business finance 13th edition answer key 1 multinational business finance 13th edition answer key solutions multinational business finance solution manual multinational business finance pearson series in finance multinational business finance 13th edition pearson multinational business finance 13th

solution manual for multinational business finance 13th edition - Apr 03 2023

web chapter 2 corporate ownership goals and governance questions 2 1 ownership of the business how does ownership show menu buy now swipe vertical scroll horizontal scroll page turn view mode share from cover share from page table of contents page overview 1 out of 6 2 out of 6 3 out of 6 4 out of 6

multinational business finance pearson elibrary - Nov 29 2022

web the 15th edition attempts to capture the rapid evolution of our global marketplace taking a closer look at the types of organisations that permeate the widespread arena competition and opportunities in emerging markets and how financial leadership can integrate the strategic and financial challenges that global businesses face today

multinational business finance solution manual chegg com - May 04 2023

web get instant access to our step by step multinational business finance solutions manual our solution manuals are written by chegg experts so you can be assured of the highest quality

multinational business finance 13th edition answer key - Jul 26 2022

web multinational business finance 13th edition answer key multinational business finance 13th edition pearson series multinational business finance 13th edition textbook multinational business finance 13th edition 9780132743464 multinational business finance pearson series in finance multinational

multinational business finance 13th edition answer key pdf - Mar 22 2022

web oct 8 2023 this multinational business finance 13th edition answer key pdf as one of the most in force sellers here will

agreed be in the midst of the best options to review international business marios i katsioloudes 2007

multinational business finance 13th edition answer key pdf - Feb 18 2022

web jul 18 2023 multinational business finance 13th edition answer key 2 10 downloaded from uniport edu ng on july 18 2023 by guest the fundamental concepts and tools necessary to implement an effective global financial management strategy this edition includes the many new financial management challenges faced by today s business

solution manual for multinational business finance 13th edition - Sep 08 2023

web the principles approach is br softer less costly and less likely to conflict with other existing regulations read the latest magazines about solution manual for multinational business finance 13th edition by eiteman and discover magazines on yumpu com

multinational business finance solution manual studocu - Jul 06 2023

web multinational business finance solution manual im science kust solution manual of mbf 10th studocu bond value 1 bond practice fixed income exercise 1 new market value total earnings x p e 20 000 000 x 30 600 000 new market price per share total market value shares outstanding 38

multinational business finance 13th edition solutions and answers - Aug 07 2023

web find step by step expert solutions for your textbook or homework problem find step by step solutions and answers to multinational business finance 9780133043587 as well as thousands of textbooks so you can move forward with confidence

multinational business finance testbank 14th edition studocu - Aug 27 2022

web multinational business finance 14e eiteman chapter 13 the global cost and availability of capital 13 financial globalization and strategy if a firm lies within a country with or domestic capital markets it can achieve lower global cost and greater availability of capital with a properly designed and implemented strategy to participate in

multinational business finance 13th edition answer key pdf - May 24 2022

web this extraordinary book aptly titled multinational business finance 13th edition answer key written by a highly acclaimed author immerses readers in a captivating exploration of the significance of language and its profound impact on our existence

multinational business finance 13th edition textbook solutions - Oct 09 2023

web unlike static pdf multinational business finance 13th edition solution manuals or printed answer keys our experts show you how to solve each problem step by step no need to wait for office hours or assignments to be graded to find out where you took a

star wars l empire des ta c na bres tome 2 le des pdf copy - Apr 10 2023

web aug 7 2023 star wars l empire des ta c na bres tome 2 le des pdf is available in our digital library an online access to it

is set as public so you can download it instantly

star wars l empire des ténèbres tome 2 le destin de la - Jul 13 2023

web minis kingdom star wars imperial assault star wars episode v the empire strikes back 1980 lords mobile kingdom wars apps on google play star wars l empire des

star wars l empire des ta c na bres tome 2 le des free pdf - Aug 14 2023

web star wars cookbook bb ate star wars r2 d2 is lost star wars the black series action figures helmets more star wars episode v the empire strikes back 1980

star wars l empire des ta c na bres tome 2 le des - Apr 29 2022

web feb 27 2023 des and numerous books collections from fictions to scientific research in any way in the course of them is this star wars l empire des ta c na bres tome 2

star wars l empire des ta c na bres tome 2 le des geoffrey - Mar 09 2023

web quickly download this star wars l empire des ta c na bres tome 2 le des after getting deal so taking into account you require the books swiftly you can straight get it

star wars l empire des ta c na bres tome 2 le des pdf - Feb 08 2023

web star wars l empire des ta c na bres tome 2 le des star wars edge of the empire roleplaying game jun 18 2020 scrape together a crew and prepare for the heist of a

star wars l empire des ta c na bres tome 2 le des adrian - Sep 22 2021

web star wars l empire des ta c na bres tome 2 le des is available in our book collection an online access to it is set as public so you can get it instantly our digital library spans

star wars l empire des ta c na bres tome 2 le des copy - May 31 2022

web aug 18 2023 star wars l empire des ta c na bres tome 2 le des 3 12 downloaded from uniport edu ng on august 18 2023 by guest plans secrets de l arme absolue de l empire

star wars l empire des ta c na bres tome 2 le des pdf - Aug 02 2022

web 2 2 star wars l empire des ta c na bres tome 2 le des 2022 03 23 star wars l empire des ta c na bres tome 2 le des downloaded from

star wars l empire des ta c na bres tome 2 le des john - Jun 12 2023

web star wars l empire des ta c na bres tome 2 le des this is likewise one of the factors by obtaining the soft documents of this star wars l empire des ta c na bres tome 2

star wars l empire des ta c na bres tome 2 le des - Mar 29 2022

web star wars décrypté star wars les ombres de l empire intégrale star wars trêve à bakura star wars l empire des ta c na

bres tome 2 le des downloaded from

star wars l empire des ta c na bres tome 2 le des george - Nov 05 2022

web star wars l empire des ta c na bres tome 2 le des 3 11 downloaded from secure docs lenderhomepage com on by guest sylwan 1924 italian hours henry james 2010

star wars l empire des ta c na bres tome 2 le des - Jul 01 2022

web star wars l empire des ta c na bres tome 2 le des what you following to read star wars l empire des ta c na bres tome 2 le des downloaded from

star wars l empire des ta c na bres tome 2 le des pdf - Nov 24 2021

web apr 20 2023 star wars l empire des ta c na bres tome 2 le des pdf is available in our digital library an online access to it is set as public so you can get it instantly our

star wars episode ii attack of the clones türkçe altyazı - Dec 26 2021

web star wars episode ii attack of the clones türkçe altyazı full hd 1080p izle filmin bilgileri konusu oyuncular ve tüm serisini burada bulabilir yorum yapabilirsiniz jedi

star wars l empire des ta c na bres tome 2 le des pdf - Oct 24 2021

web may 27 2023 recognizing the exaggeration ways to get this books star wars l empire des ta c na bres tome 2 le des is additionally useful you have remained in right site to

star wars episode ii attack of the clones altyazı 440921 - Feb 25 2022

web kontrol eden altyazı kontrol grubu değerlendirme filmi izlemek için uygun İşitme engelliler İçin hayır açıklama 1080p hdtv özellikli wmv versiyonu için senkronladım

star wars l empire des ta c na bres tome 2 le des alan - Sep 03 2022

web star wars l empire des ta c na bres tome 2 le des when somebody should go to the ebook stores search introduction by shop shelf by shelf it is in point of fact problematic

star wars l empire des ta c na bres tome 2 le des eckart - May 11 2023

web this star wars l empire des ta c na bres tome 2 le des as one of the most in action sellers here will unquestionably be among the best options to review neglected crops

star wars l empire des ta c na bres tome 2 le des pdf ftp - Dec 06 2022

web download this star wars l empire des ta c na bres tome 2 le des after getting deal so bearing in mind you require the books swiftly you can straight acquire it

star wars l empire des ta c na bres tome 2 le des copy - Jan 07 2023

web jul 13 2023 some harmful virus inside their computer star wars l empire des ta c na bres tome 2 le des is open in our

digital library an online entry to it is set as public in

star wars episode ii attack of the clones altyazı 50529 - Jan 27 2022

web star wars episode ii attack of the clones 25 fps türkçe altyazı 50529 numaralı 25 fps unseen release dvdrip çevirisi star wars episode ii attack of the clones 2002

star wars l empire des ta c na bres tome 2 le des - Oct 04 2022

web mar 21 2023 star wars l empire des ta c na bres tome 2 le des is available in our digital library an online access to it is set as public so you can get it instantly our book