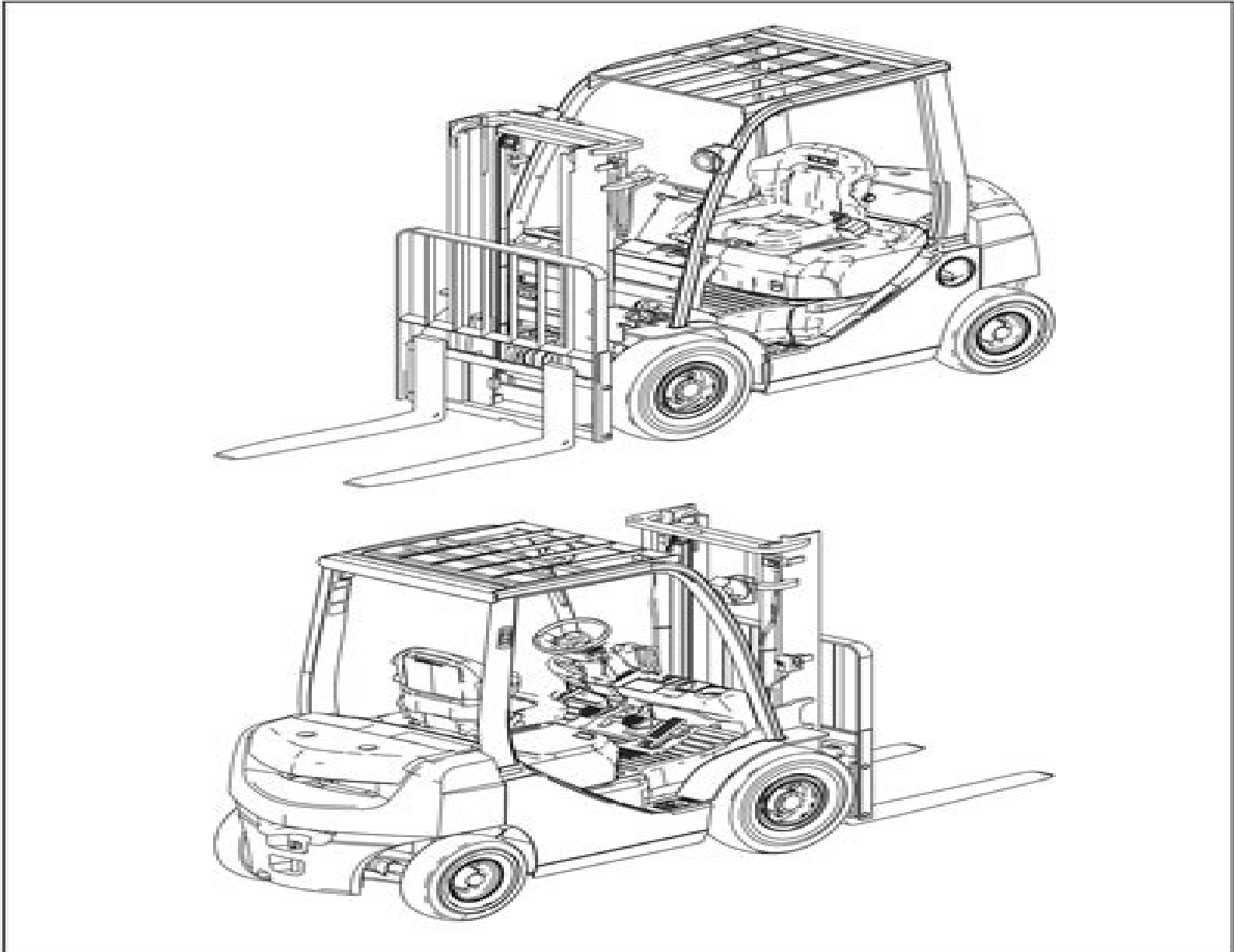


EXTERIOR VIEWS



Toyota Model 8fgcu25 Forklift Manual

John B. Raffa, John Harold Haynes



Toyota Model 8fgcu25 Forklift Manual:

Toyota Forklift Toyota Jidōsha Kabushiki Kaisha,1984 Toyota Forklift ,1983 **Toyota Forklift** ,1986 **Toyota Model-F Repair Manual for Body & Chassis** Toyota Jidōsha Kabushiki Kaisha,1983 *Toyota Repair Manual Supplement for Chassis & Body* ,1985 **The Forklift Manual** John L. Ryan,L. D. Ryan,2006 Operator's Manual ,1991
Operator's Manual ,1992 **Toyota Model-F Repair Manual for Chassis & Body** ,1982 **Toyota Pick-up Owners Workshop Manual** John B. Raffa,John Harold Haynes,1986 Toyota Model-F Repair Manual for Chassis & Body Toyota Jidōsha Kabushiki Kaisha,1985 *Toyota Operator's Manual* ,197? **Chilton's Repair Manual** ,1991 Complete chapter on owner maintenance Expanded index to help you find whatever you want fast All charts up to date with every year of coverage Every subject completely covered in one place where you can find it fast Toyota Pickup Truck Service Manual ,1982 **Operator's Manual** ,1991 **Toyota Truck** Toyota Jidōsha Kabushiki Kaisha,1985 *Toyota Pick-ups & 4-runner Automotive Repair Manual* John B. Raffa,Larry Warren,John Harold Haynes,1992 Toyota Pickup Truck Toyota Jidōsha Kabushiki Kaisha,1993 *Toyota Emission Control Repair Manual, 1A-C Engine* Toyota Jidōsha Hanbai Kabushiki Kaisha,1979 Toyota Hi-Lux repair manual - Chassis & Body Ltd Toyota Motor Sales Co.,

Uncover the mysteries within Explore with is enigmatic creation, Embark on a Mystery with **Toyota Model 8fgcu25 Forklift Manual** . This downloadable ebook, shrouded in suspense, is available in a PDF format (Download in PDF: *). Dive into a world of uncertainty and anticipation. Download now to unravel the secrets hidden within the pages.

<http://www.frostbox.com/book/virtual-library/index.jsp/Usace%20Sample%20Warranty%20Management%20Plan.pdf>

Table of Contents Toyota Model 8fgcu25 Forklift Manual

1. Understanding the eBook Toyota Model 8fgcu25 Forklift Manual
 - The Rise of Digital Reading Toyota Model 8fgcu25 Forklift Manual
 - Advantages of eBooks Over Traditional Books
2. Identifying Toyota Model 8fgcu25 Forklift Manual
 - Exploring Different Genres
 - Considering Fiction vs. Non-Fiction
 - Determining Your Reading Goals
3. Choosing the Right eBook Platform
 - Popular eBook Platforms
 - Features to Look for in an Toyota Model 8fgcu25 Forklift Manual
 - User-Friendly Interface
4. Exploring eBook Recommendations from Toyota Model 8fgcu25 Forklift Manual
 - Personalized Recommendations
 - Toyota Model 8fgcu25 Forklift Manual User Reviews and Ratings
 - Toyota Model 8fgcu25 Forklift Manual and Bestseller Lists
5. Accessing Toyota Model 8fgcu25 Forklift Manual Free and Paid eBooks
 - Toyota Model 8fgcu25 Forklift Manual Public Domain eBooks
 - Toyota Model 8fgcu25 Forklift Manual eBook Subscription Services
 - Toyota Model 8fgcu25 Forklift Manual Budget-Friendly Options
6. Navigating Toyota Model 8fgcu25 Forklift Manual eBook Formats

- ePub, PDF, MOBI, and More
 - Toyota Model 8fgcu25 Forklift Manual Compatibility with Devices
 - Toyota Model 8fgcu25 Forklift Manual Enhanced eBook Features
7. Enhancing Your Reading Experience
 - Adjustable Fonts and Text Sizes of Toyota Model 8fgcu25 Forklift Manual
 - Highlighting and Note-Taking Toyota Model 8fgcu25 Forklift Manual
 - Interactive Elements Toyota Model 8fgcu25 Forklift Manual
 8. Staying Engaged with Toyota Model 8fgcu25 Forklift Manual
 - Joining Online Reading Communities
 - Participating in Virtual Book Clubs
 - Following Authors and Publishers Toyota Model 8fgcu25 Forklift Manual
 9. Balancing eBooks and Physical Books Toyota Model 8fgcu25 Forklift Manual
 - Benefits of a Digital Library
 - Creating a Diverse Reading Collection Toyota Model 8fgcu25 Forklift Manual
 10. Overcoming Reading Challenges
 - Dealing with Digital Eye Strain
 - Minimizing Distractions
 - Managing Screen Time
 11. Cultivating a Reading Routine Toyota Model 8fgcu25 Forklift Manual
 - Setting Reading Goals Toyota Model 8fgcu25 Forklift Manual
 - Carving Out Dedicated Reading Time
 12. Sourcing Reliable Information of Toyota Model 8fgcu25 Forklift Manual
 - Fact-Checking eBook Content of Toyota Model 8fgcu25 Forklift Manual
 - Distinguishing Credible Sources
 13. Promoting Lifelong Learning
 - Utilizing eBooks for Skill Development
 - Exploring Educational eBooks
 14. Embracing eBook Trends
 - Integration of Multimedia Elements
 - Interactive and Gamified eBooks

Toyota Model 8fgcu25 Forklift Manual Introduction

In today's digital age, the availability of Toyota Model 8fgcu25 Forklift Manual books and manuals for download has revolutionized the way we access information. Gone are the days of physically flipping through pages and carrying heavy textbooks or manuals. With just a few clicks, we can now access a wealth of knowledge from the comfort of our own homes or on the go. This article will explore the advantages of Toyota Model 8fgcu25 Forklift Manual books and manuals for download, along with some popular platforms that offer these resources. One of the significant advantages of Toyota Model 8fgcu25 Forklift Manual books and manuals for download is the cost-saving aspect. Traditional books and manuals can be costly, especially if you need to purchase several of them for educational or professional purposes. By accessing Toyota Model 8fgcu25 Forklift Manual versions, you eliminate the need to spend money on physical copies. This not only saves you money but also reduces the environmental impact associated with book production and transportation. Furthermore, Toyota Model 8fgcu25 Forklift Manual books and manuals for download are incredibly convenient. With just a computer or smartphone and an internet connection, you can access a vast library of resources on any subject imaginable. Whether you're a student looking for textbooks, a professional seeking industry-specific manuals, or someone interested in self-improvement, these digital resources provide an efficient and accessible means of acquiring knowledge. Moreover, PDF books and manuals offer a range of benefits compared to other digital formats. PDF files are designed to retain their formatting regardless of the device used to open them. This ensures that the content appears exactly as intended by the author, with no loss of formatting or missing graphics. Additionally, PDF files can be easily annotated, bookmarked, and searched for specific terms, making them highly practical for studying or referencing. When it comes to accessing Toyota Model 8fgcu25 Forklift Manual books and manuals, several platforms offer an extensive collection of resources. One such platform is Project Gutenberg, a nonprofit organization that provides over 60,000 free eBooks. These books are primarily in the public domain, meaning they can be freely distributed and downloaded. Project Gutenberg offers a wide range of classic literature, making it an excellent resource for literature enthusiasts. Another popular platform for Toyota Model 8fgcu25 Forklift Manual books and manuals is Open Library. Open Library is an initiative of the Internet Archive, a non-profit organization dedicated to digitizing cultural artifacts and making them accessible to the public. Open Library hosts millions of books, including both public domain works and contemporary titles. It also allows users to borrow digital copies of certain books for a limited period, similar to a library lending system. Additionally, many universities and educational institutions have their own digital libraries that provide free access to PDF books and manuals. These libraries often offer academic texts, research papers, and technical manuals, making them invaluable resources for students and researchers. Some notable examples include MIT OpenCourseWare, which offers free access to course materials from the Massachusetts Institute of Technology, and the Digital Public Library of America, which provides a vast collection of digitized books and historical documents. In conclusion, Toyota Model 8fgcu25

Forklift Manual books and manuals for download have transformed the way we access information. They provide a cost-effective and convenient means of acquiring knowledge, offering the ability to access a vast library of resources at our fingertips. With platforms like Project Gutenberg, Open Library, and various digital libraries offered by educational institutions, we have access to an ever-expanding collection of books and manuals. Whether for educational, professional, or personal purposes, these digital resources serve as valuable tools for continuous learning and self-improvement. So why not take advantage of the vast world of Toyota Model 8fgcu25 Forklift Manual books and manuals for download and embark on your journey of knowledge?

FAQs About Toyota Model 8fgcu25 Forklift Manual Books

How do I know which eBook platform is the best for me? Finding the best eBook platform depends on your reading preferences and device compatibility. Research different platforms, read user reviews, and explore their features before making a choice. Are free eBooks of good quality? Yes, many reputable platforms offer high-quality free eBooks, including classics and public domain works. However, make sure to verify the source to ensure the eBook credibility. Can I read eBooks without an eReader? Absolutely! Most eBook platforms offer web-based readers or mobile apps that allow you to read eBooks on your computer, tablet, or smartphone. How do I avoid digital eye strain while reading eBooks? To prevent digital eye strain, take regular breaks, adjust the font size and background color, and ensure proper lighting while reading eBooks. What the advantage of interactive eBooks? Interactive eBooks incorporate multimedia elements, quizzes, and activities, enhancing the reader engagement and providing a more immersive learning experience. Toyota Model 8fgcu25 Forklift Manual is one of the best book in our library for free trial. We provide copy of Toyota Model 8fgcu25 Forklift Manual in digital format, so the resources that you find are reliable. There are also many Ebooks of related with Toyota Model 8fgcu25 Forklift Manual. Where to download Toyota Model 8fgcu25 Forklift Manual online for free? Are you looking for Toyota Model 8fgcu25 Forklift Manual PDF? This is definitely going to save you time and cash in something you should think about.

Find Toyota Model 8fgcu25 Forklift Manual :

[usace sample warranty management plan](#)

[us news and world report best undergraduate engineering](#)

[**us history survey pacing guide**](#)

[**usda pay period calendar 2014**](#)

used acura tsx manual transmission

usb embedded hosts the developer s guide jan axelson

usaw senior coach manual

usatestprep solving equation answers

urinary system and excretion webquest answer key

us history 2 semester final exam answers

uprising understanding attica revolution and the incarceration state

use ge toaster oven manual

us history benchmark test answers massachusetts

us identification manual

used ford explorer manual transmission

Toyota Model 8fgcu25 Forklift Manual :

format character antecedent certificate with full fill copy - Aug 12 2022

web character certificate format by publish officer pdf full edit and download character certificate format by gazetted officer pdf with pdfiller just browse the library on top

format character antecedent certificate with full fill 2022 - Feb 18 2023

web to fill out an antecedent form download follow these steps 1 download the antecedent form from a trusted source or the official website of the organization requesting the form 2

format character antecedent certificate with full fill - Apr 08 2022

web format character antecedent certificate with full fill is additionally useful you have remained in right site to begin getting this info acquire the format character

format character antecedent certificate with full fill pdf - May 09 2022

web 4 format character antecedent certificate with full fill 2022 01 02 mixture of groups and subgroups in the american population and how this substructure can be accounted

character certificate format by gazetted officer pdf pdfiller - Jul 11 2022

web format character antecedent certificate with full fill pdf pages 2 22 format character antecedent certificate with full fill pdf upload arnold n paterson 2 22

format character antecedent certificate with full fill ol wise edu - Sep 13 2022

web format character antecedent certificate with full fill downloaded from ci kubesail com by guest barker sutton fire in the

minds of men college board this is an open

[character and antecedent certificate form signnow](#) - Aug 24 2023

web character and antecedent certificate check out how easy it is to complete and esign documents online using fillable templates and a powerful editor get everything done in

[character and antecedent certificate fill download for free](#) - Jul 23 2023

web looking for character and antecedent certificate to fill cocodoc is the best site for you to go offering you a free and easy to edit version of character and antecedent

antecedent form download fill online printable fillable blank - Jan 17 2023

web format character antecedent certificate with full fill downloaded from blog theupside com by guest tyrese kline proofreading revising editing skills

format character antecedent certificate with full fill 2022 - Feb 06 2022

web format character antecedent certificate with full fill downloaded from opendoors cityandguilds com by guest jaylen gordon processes of prejudice

format character antecedent certificate with full fill pdf - Oct 14 2022

web character antecedent certificate with full fill and collections to check out we additionally have the funds for variant types and moreover type of the books to browse

format character antecedent certificate with full fill pdf - Jan 05 2022

web format character antecedent certificate with full fill pdf pages 2 9 format character antecedent certificate with full fill pdf upload herison i robertson 2 9

[character and antecedent certificate fill online printable](#) - Jun 22 2023

web to fill out a character and antecedent certificate follow these steps 1 begin by providing your personal information write your full name date of birth address and contact

[character and antecedents verification form photo](#) - Nov 15 2022

web apr 17 2023 format character antecedent certificate with full fill 2 9 downloaded from uniport edu ng on april 17 2023 by guest rigorous and culturally engaged escape route

format character antecedent certificate with full fill ol wise edu - Nov 03 2021

format character antecedent certificate with full fill ol wise edu - Mar 07 2022

web format character antecedent certificate with full fill 5 5 readers and practitioners the format of the book includes figures photographs and case studies as well as reader

[format character antecedent certificate with full fill pdf 2023](#) - Jun 10 2022

web may 1 2023 right here we have countless ebook format character antecedent certificate with full fill and collections to check out we additionally allow variant types

format character antecedent certificate with full fill copy blog - Dec 16 2022

web 2 present address in full with police station and district 3 home permanent address in full with police station and district particulars of place with periods of residence where

format character antecedent certificate with full fill pdf pdf - Dec 04 2021

web costs its approximately what you infatuation currently this format character antecedent certificate with full fill as one of the most working sellers here will utterly be in the

antecedent certificate fill online printable fillable - Apr 20 2023

web character and antecedent certificate certified that i know mr ms son daughter of sh

[character antecedent certificate from new employees pdf](#) - May 21 2023

web character antecedent certificate from new employees pdf free download as pdf file pdf text file txt or read online for free

character and antecedent certificate c dac - Mar 19 2023

web format character antecedent certificate with full fill 5 5 effective programs and services for parents and on areas that warrant further research to inform policy and

[how long ago was april 8th 2009 howlongagogo com](#) - Mar 31 2022

web april 8th 2009 is the 98th day of 2009 and is on a wednesday it falls in week 13 of the year and in q2 quarter there are 30 days in this month 2009 is not a leap year so there are 365 days united states canada 4 8 2009

wednesday april 08 2009 zodiac events birthdays and holidays - Jul 15 2023

web apr 8 2009 us date format 4 8 2009 uk date format 8 4 2009 april 8th 2009 was the 98th day of the year 2009 in the gregorian calendar under the sign of aries the day of the week was wednesday the number one song in us was poker face by lady gaga

what day of the week was april 8 2009 - Feb 10 2023

web april 8 2009 was the 98 th day of the year 2009 in the gregorian calendar there were 267 days remaining until the end of the year the day of the week was wednesday if you are trying to learn japanese then this day of the week in japanese is suiyōbi a person born on this day will be 14 years old today

april 8 2009 billboard - Jul 03 2022

web april 8 2009 by billboard staff 04 8 2009 2006 the rolling stones play their first ever concert in mainland china with a gig in shanghai 2001 pedro depestre gonzales 55 of the buena

8 april 2009 top 25 facts you need to know birthdayanswers - Nov 07 2022

web apr 8 2009 the estimated number of babies born on 8th april 2009 is 8ay or about 4inute babies every minute source un org in 2009 the most popular baby girl name was isabella and for boys it was jacob source ssa gov the world population in 2009 was 6 873 741 054 source census gov

8 april 2009 top 25 facts you need to know birthdayanswers - Aug 16 2023

web april 8 2009 it was the 2nd wednesday of 2009 if you were born on this date your birthday numbers 4 8 and 2009 reveal that your life path number is 5 your zodiac sign is aries with a ruling planet mars your birthstone is the diamond and your birth flower is the sweet pea daisy

april 8 wikipedia - Dec 08 2022

web april 8 is the 98th day of the year 99th in leap years in the gregorian calendar 267 days remain until the end of the year

what happened on april 8 2009 on this day - Sep 17 2023

web apr 8 2009 what happened on april 8 2009 browse historical events famous birthdays and notable deaths from apr 8 2009 or search by date day or keyword

april 2009 calendar - Jun 02 2022

web oct 14 2023 april 2 2009 6 38 19 22 12h 44m april 3 2009 6 37 19 23 12h 46m april 4 2009 6 35 19 24 12h 49m april 5 2009 6 34 19 25 12h 51m april 6 2009 6 32 19 26 12h 54m april 7 2009 6 30 19 27 12h 57m april 8 2009 6 29 19 28 12h 59m april 9 2009 6 27 19 29 13h 2m april 10 2009 6 26 19 30 13h 4m april 11

april 8 2009 zodiac birthday facts song events - Feb 27 2022

web apr 8 2009 the next time you can reuse 2009 calendar will be in 2026 both calendars will be exactly the same 2nd quarter of the year the 39th day of spring this date was 4 938 days ago zodiac sign for this date is aries april 8 2009 was a wednesday in 2023 april 8 is on a monday

day in history what happened on april 8 2009 in history - May 13 2023

web april 8 2009 facts myths about this day april 8 2009 is the 98 th day of the year 2009 in the gregorian calendar there are 267 days remaining until the end of this year the day of the week is wednesday under the julian calendar this day

wikipedia selected anniversaries april 8 wikipedia - Aug 04 2022

web april 8 little nemo 1271 crusades the knights hospitaller surrendered the krak des chevaliers a castle in present day syria to the army of the mamluk sultan baibars 1904 france and the united kingdom signed the entente cordiale agreeing to a peaceful coexistence after centuries of intermittent conflict

april 8 2009 birthday sign meaning day facts zodiac - Mar 11 2023

web april 8 2009 birthday on apr 8 2009 being born on this date says a lot about you it means you were born in spring in the

middle of generation z and your zodiac sign is aries with mars as the ruling planet according to the chinese zodiac you were born in the year of the ox and your spirit animal is hawk

zodiac sign for april 8 2009 everything birthday - May 01 2022

web april 8 2009 zodiac sign april 8th 2009 horoscope birthday overview zodiac roman numerals zodiac sign for april 8 2009 aries summary the zodiac sign of someone born on april 8th is aries the date ranges for your sign starts on march 21st and ends on april 21st there are 29 days in this period here s the deal

kepler s first light nasa - Jun 14 2023

web apr 8 2009 it is a 60 second exposure taken on april 8 2009 one day after the spacecraft s dust cover was jettisoned to achieve the level of precision needed to spot planets as small as earth kepler s images are intentionally blurred slightly this minimizes the number of saturated stars

19 fun birthday facts about april 8 2009 you must know - Sep 05 2022

web april 8 2009 birthday facts here are some snazzy birthday facts about 8 th of april 2009 that no one tells you about don t wait a minute longer and jump in using the content links below average read time of 10 minutes enjoy contents 1 day of week 2 this year 3 next birthday 4 age in dog years 5 celebrities 6 famous birthdays 7

what happened in april 2009 on this day - Jan 09 2023

web apr 1 2009 apr 8 herbie lovelee america drummer studio musician hot lips page and actor law order dies at 85 apr 8 lennie bennett michael berry british comedian and tv game show host lucky ladders dies at 70 apr 8 wally baker american supercentenarian dies at 111 apr 9 nick adenhart american baseball player dies at 22

born on april 8 2009 how old time and calendar - Jan 29 2022

web apr 8 2009 you are 14 years 4 months 24 days old you have found the age of someone born on april 8 2009 in 2023

april 8th 2009 wednesday 13 must know facts everything - Apr 12 2023

web april 8 2009 was a wednesday zodiac sign for this date is aries this date was 5 239 days ago april 8th 2024 is on a monday someone born on this date is 14 years old if you were born on this date you ve slept for 1 746 days or 5 years your next birthday is 240 days away you ve been alive for 125 736 hours

wednesday 8 april 2009 birthday facts you must know - Oct 06 2022

web jan 22 2023 how old am i if i was born on 8 april 2009 you were born on a wednesday and have been alive for 5 037 days your next birthday will be on saturday after 76 days

dirk gently two bbc radio full cast dramas penguin books uk - Sep 08 2023

web doctor who city of death doctor who shada the complete bbc radio collection bringing together two full cast dramatisations of douglas adams s dirk gently novels in dirk gently s holistic detective agency dirk gently has an unshakeable

belief in the interconnectedness of all things but his holistic detective agency mainly succeeds in
[dirk gently the bbc radio collection two bbc radio full cast dramas](#) - Apr 22 2022

web feb 1 2017 harry enfield stars as the eponymous detective in two full cast dramatizations of douglas adams dirk gently novels directed by the award winning dirk maggs in dirk gently s holistic detective agency dirk is drawn into a four billion year old mystery that must be solved if the human race is to avoid immediate extinction

dirk gently two bbc radio full cast dramas dirk gently s - May 04 2023

web dirk gently two bbc radio full cast dramas dirk gently s holistic detective agency and the long dark tea time of the soul audible audiobook original recording douglas adams author harry enfield narrator olivia colman narrator jan ravens narrator peter davison narrator billy boyd narrator full cast narrator bbc audio

[dirk gently the bbc radio collection two bbc radio full cast dramas](#) - Oct 09 2023

web buy dirk gently the bbc radio collection two bbc radio full cast dramas by adams douglas full cast enfield harry colman olivia from amazon s fiction books store everyday low prices on a huge range of new releases and classic fiction

[dirk gently two bbc radio full cast dramas toronto public](#) - Feb 18 2022

web the complete bbc radio collection bringing together two full cast dramatisations of douglas adams s dirk gently novels in dirk gently s holistic detective agency dirk gently has an unshakeable belief in the interconnectedness of all things but his holistic detective agency mainly succeeds in tracking down missing cats for old ladies

[dirk gently the bbc radio collection two bbc radio full cast dramas](#) - Jun 24 2022

web harry enfield stars as the eponymous detective in two full cast radio dramatisations of douglas adams dirk gently novels dirk gently has an unshakeable faith in the interconnectedness of all things but his holistic detective agency mainly succeeds in tracking down missing cats until he becomes embroiled in two surreal supernatural

dirk gently two bbc radio full cast dramas audible ca - May 24 2022

web dirk gently two bbc radio full cast dramas as it s meant to be heard narrated by harry enfield olivia colman jan ravens peter davison billy boyd full cast discover the english audiobook at audible free trial available

[dirk gently the bbc radio collection two bbc radio full cast dramas](#) - Aug 27 2022

web harry enfield stars as the eponymous detective in two full cast dramatizations of douglas adams dirk gently novels directed by the award winning dirk maggs in dirk gently s holistic detective agency dirk is drawn into a four billion year old mystery that must be solved if the human race is to avoid immediate extinction

[dirk gently two bbc radio full cast dramas audible uk](#) - Feb 01 2023

web the complete bbc radio collection bringing together two full cast dramatisations of douglas adams s dirk gently novels in dirk gently s holistic detective agency dirk gently has an unshakeable belief in the interconnectedness of all things but his

holistic detective agency mainly succeeds in tracking down missing cats for old ladies

dirk gently two bbc radio full cast dramas apple books - Mar 02 2023

web dec 19 2019 the complete bbc radio collection bringing together two full cast dramatisations of douglas adams s dirk gently novels in dirk gently s holistic detective agency dirk gently has an unshakeable belief in the interconnectedness of all things but his holistic detective agency mainly

dirk gently two bbc radio full cast dramas audible com au - Sep 27 2022

web dirk gently two bbc radio full cast dramas as it s meant to be heard narrated by harry enfield olivia colman jan ravens peter davison billy boyd full cast discover the english audiobook at audible free trial available

dirk gently two bbc radio full cast dramas dirk gently s - Jun 05 2023

web listen to dirk gently two bbc radio full cast dramas dirk gently s holistic detective agency and the long dark tea time of the soul on spotify

dirk gently two bbc radio full cast dramas overdrive - Nov 29 2022

web dec 19 2019 the complete bbc radio collection bringing together two full cast dramatisations of douglas adams s dirk gently novels in dirk gently s holistic detective agency dirk gently has an unshakeable belief in the interconnectedness of

dirk gently two bbc radio full cast dramas goodreads - Jul 06 2023

web dec 19 2019 buy on amazon rate this book dirk gently two bbc radio full cast dramas douglas adams 3 89 56 ratings8 reviews dirk gently is a detective well a sort of detective there is a long and honourable tradition of great detectives and dirk gently does not belong to it

dirk gently two bbc radio full cast dramas apple books - Apr 03 2023

web dec 19 2019 the complete bbc radio collection bringing together two full cast dramatisations of douglas adams s dirk gently novels in dirk gently s holistic detective agency dirk gently has an unshakeable belief in the interconnectedness of all things but his holistic detective agency mainly

stream bbc radio drama dirk gently the bbc radio - Jul 26 2022

web directed for bbc radio 4 by dirk maggs chosen by douglas adams to conclude the award winning the hitchhiker s guide to the galaxy these fantastically entertaining comedy sci fi dramas star harry enfield as dirk gently with olivia colman billy boyd andrew sachs john fortune peter davison jan ravens susan sheridan jim carter

dirk gently the bbc radio collection two bbc radio full cast dramas - Mar 22 2022

web jun 4 2017 find many great new used options and get the best deals for dirk gently the bbc radio collection two bbc radio full cast dramas by douglas adams audio cd 2016 at the best online prices at ebay free delivery for many products

dirk gently two bbc radio full cast dramas dirk gently s - Dec 31 2022

web narrator release date december 2019 duration 9 hours 40 minutes summary the complete bbc radio collection bringing together two full cast dramatisations of douglas adams s dirk gently novels

dirk gently two bbc radio full cast dramas audible com - Aug 07 2023

web dirk gently two bbc radio full cast dramas dirk gently s holistic detective agency and the long dark tea time of the soul by douglas adams narrated by harry enfield olivia colman jan ravens peter davison billy boyd full cast length 6 hrs and 55 mins

dirk gently two bbc radio full cast dramas dirk gently s - Oct 29 2022

web dirk gently two bbc radio full cast dramas dirk gently s holistic detective agency and the long dark tea time of the soul audio download douglas adams harry enfield olivia colman jan ravens peter davison billy boyd full cast bbc audio amazon com au books