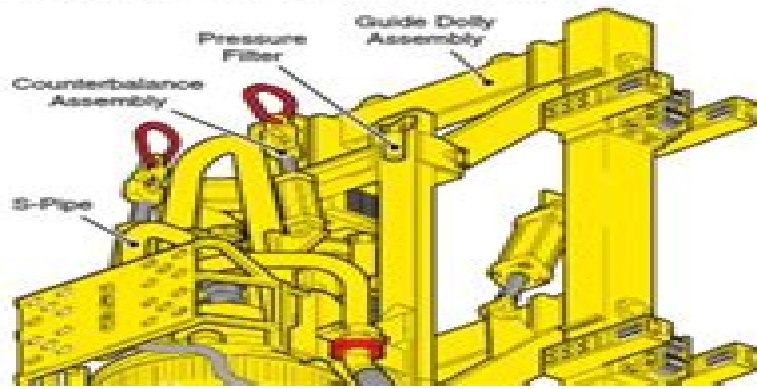


## TDS-4S TDS-4H Top Drive System

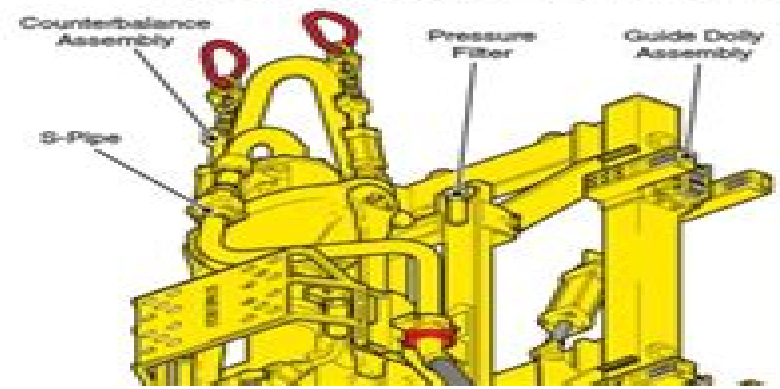
### Contents

	<b>LUBRICATION</b>
Major Components .....	2
Maintenance Schedules .....	4
Recommended Lubricants .....	11
Lubrication Points .....	12
	<b>MAINTENANCE AND SPARES</b>
Adjustment Procedures .....	20
Consumables .....	27
Washpipe Assembly .....	28
Making Up the Drill Stem .....	32
	<b>GENERAL INFORMATION</b>
Torque Values .....	34
Service Centers .....	36
Specifications .....	38

### TDS-4S Top Drive Major Components



### TDS-4H Top Drive Major Components



# Varco Tds 4 Manual

**M Carnoy**



## Varco Tds 4 Manual:

**Mobile Drilling Units of the World** Oilfield Publications Limited,1992      *Coronary Care Manual* Peter L. Thompson,1997 A practical concise book on coronary care this text will enable the therapist to manage a patient effectively and safely without needing to access a large reference book It is a working textbook providing sufficient detail on background recent advances and controversial issues but focussing on the practical management of the patient in the coronary or intensive care unit The presentation and style will allow rapid access to information      4-speed Torquemaster Motors Pilipinas General,19??      *Operator's Manual for 1/4 Ton, 4x4, M151 Series Vehicles* ,1983      *4-speed Torquemaster* ,1980\*      **WIDS 4 User's Manual** Wisconsin Technical College Foundation,1997      **Operator's Manual : Truck, Cargo; 1-1/4 Ton, 4x4, M880 (2320-00-579-8942) ... Truck, Ambulance; 1-1/4 Ton, 4/2, M893 (2310-00-125-5679).** ,1982      **Truck Service Manual** International Harvester Company,1975      Operator's Manual for Truck, Utility, Cargo/troop Carrier, 1-1/4 Ton, 4x4, M998 (2320-01-107-7155) ... ,1986      **Maintenance Manual for United States Army Dodge 4 X 4 Trucks** Chrysler Corporation. Dodge Division,1942      4-speed Torquemaster ,1983      Technicians' Manual 4 ,1973      Trucks Service Manual Aktiebolaget Volvo.,1966      *Electronic 4 Speed Over Drive* Ford Motor Company. Transmission and Chassis Division. Technical Service and Training Section,1991      **Maintenance Manual : 4 X 4 Tractor Fwd Model HAR** Four Wheel Drive Auto Company,1943      **Thornton Four-rear-wheel Drive** Thornton Tandem Company,19??      Toyota 4 Runner Repair Manual for Chassis and Body ,1987      *4-speed Torquemaster* ,1975      **Transmission** Toyota Jidōsha Hanbai Kabushiki Kaisha,1966      *Mod-4 by Chris* Christopher Fara,1989-12-01

## **Varco Tds 4 Manual** Book Review: Unveiling the Power of Words

In some sort of driven by information and connectivity, the energy of words has are more evident than ever. They have the capability to inspire, provoke, and ignite change. Such may be the essence of the book **Varco Tds 4 Manual**, a literary masterpiece that delves deep into the significance of words and their affect our lives. Written by a renowned author, this captivating work takes readers on a transformative journey, unraveling the secrets and potential behind every word. In this review, we shall explore the book is key themes, examine its writing style, and analyze its overall affect readers.

<http://www.frostbox.com/book/uploaded-files/HomePages/what%20size%20repair%20manual%20speakers%20are%20in%20a%202005%20chevy%20silverado.pdf>

### **Table of Contents Varco Tds 4 Manual**

1. Understanding the eBook Varco Tds 4 Manual
  - The Rise of Digital Reading Varco Tds 4 Manual
  - Advantages of eBooks Over Traditional Books
2. Identifying Varco Tds 4 Manual
  - Exploring Different Genres
  - Considering Fiction vs. Non-Fiction
  - Determining Your Reading Goals
3. Choosing the Right eBook Platform
  - Popular eBook Platforms
  - Features to Look for in an Varco Tds 4 Manual
  - User-Friendly Interface
4. Exploring eBook Recommendations from Varco Tds 4 Manual
  - Personalized Recommendations
  - Varco Tds 4 Manual User Reviews and Ratings
  - Varco Tds 4 Manual and Bestseller Lists

5. Accessing Varco Tds 4 Manual Free and Paid eBooks
  - Varco Tds 4 Manual Public Domain eBooks
  - Varco Tds 4 Manual eBook Subscription Services
  - Varco Tds 4 Manual Budget-Friendly Options
6. Navigating Varco Tds 4 Manual eBook Formats
  - ePub, PDF, MOBI, and More
  - Varco Tds 4 Manual Compatibility with Devices
  - Varco Tds 4 Manual Enhanced eBook Features
7. Enhancing Your Reading Experience
  - Adjustable Fonts and Text Sizes of Varco Tds 4 Manual
  - Highlighting and Note-Taking Varco Tds 4 Manual
  - Interactive Elements Varco Tds 4 Manual
8. Staying Engaged with Varco Tds 4 Manual
  - Joining Online Reading Communities
  - Participating in Virtual Book Clubs
  - Following Authors and Publishers Varco Tds 4 Manual
9. Balancing eBooks and Physical Books Varco Tds 4 Manual
  - Benefits of a Digital Library
  - Creating a Diverse Reading Collection Varco Tds 4 Manual
10. Overcoming Reading Challenges
  - Dealing with Digital Eye Strain
  - Minimizing Distractions
  - Managing Screen Time
11. Cultivating a Reading Routine Varco Tds 4 Manual
  - Setting Reading Goals Varco Tds 4 Manual
  - Carving Out Dedicated Reading Time
12. Sourcing Reliable Information of Varco Tds 4 Manual
  - Fact-Checking eBook Content of Varco Tds 4 Manual
  - Distinguishing Credible Sources
13. Promoting Lifelong Learning

- Utilizing eBooks for Skill Development
  - Exploring Educational eBooks
14. Embracing eBook Trends
- Integration of Multimedia Elements
  - Interactive and Gamified eBooks

### **Varco Tds 4 Manual Introduction**

In the digital age, access to information has become easier than ever before. The ability to download Varco Tds 4 Manual has revolutionized the way we consume written content. Whether you are a student looking for course material, an avid reader searching for your next favorite book, or a professional seeking research papers, the option to download Varco Tds 4 Manual has opened up a world of possibilities. Downloading Varco Tds 4 Manual provides numerous advantages over physical copies of books and documents. Firstly, it is incredibly convenient. Gone are the days of carrying around heavy textbooks or bulky folders filled with papers. With the click of a button, you can gain immediate access to valuable resources on any device. This convenience allows for efficient studying, researching, and reading on the go. Moreover, the cost-effective nature of downloading Varco Tds 4 Manual has democratized knowledge. Traditional books and academic journals can be expensive, making it difficult for individuals with limited financial resources to access information. By offering free PDF downloads, publishers and authors are enabling a wider audience to benefit from their work. This inclusivity promotes equal opportunities for learning and personal growth. There are numerous websites and platforms where individuals can download Varco Tds 4 Manual. These websites range from academic databases offering research papers and journals to online libraries with an expansive collection of books from various genres. Many authors and publishers also upload their work to specific websites, granting readers access to their content without any charge. These platforms not only provide access to existing literature but also serve as an excellent platform for undiscovered authors to share their work with the world. However, it is essential to be cautious while downloading Varco Tds 4 Manual. Some websites may offer pirated or illegally obtained copies of copyrighted material. Engaging in such activities not only violates copyright laws but also undermines the efforts of authors, publishers, and researchers. To ensure ethical downloading, it is advisable to utilize reputable websites that prioritize the legal distribution of content. When downloading Varco Tds 4 Manual, users should also consider the potential security risks associated with online platforms. Malicious actors may exploit vulnerabilities in unprotected websites to distribute malware or steal personal information. To protect themselves, individuals should ensure their devices have reliable antivirus software installed and validate the legitimacy of the websites they are downloading from. In conclusion, the ability to download Varco Tds 4 Manual has transformed the way we access information. With the convenience, cost-effectiveness,

and accessibility it offers, free PDF downloads have become a popular choice for students, researchers, and book lovers worldwide. However, it is crucial to engage in ethical downloading practices and prioritize personal security when utilizing online platforms. By doing so, individuals can make the most of the vast array of free PDF resources available and embark on a journey of continuous learning and intellectual growth.

## **FAQs About Varco Tds 4 Manual Books**

1. Where can I buy Varco Tds 4 Manual books? Bookstores: Physical bookstores like Barnes & Noble, Waterstones, and independent local stores. Online Retailers: Amazon, Book Depository, and various online bookstores offer a wide range of books in physical and digital formats.
2. What are the different book formats available? Hardcover: Sturdy and durable, usually more expensive. Paperback: Cheaper, lighter, and more portable than hardcovers. E-books: Digital books available for e-readers like Kindle or software like Apple Books, Kindle, and Google Play Books.
3. How do I choose a Varco Tds 4 Manual book to read? Genres: Consider the genre you enjoy (fiction, non-fiction, mystery, sci-fi, etc.). Recommendations: Ask friends, join book clubs, or explore online reviews and recommendations. Author: If you like a particular author, you might enjoy more of their work.
4. How do I take care of Varco Tds 4 Manual books? Storage: Keep them away from direct sunlight and in a dry environment. Handling: Avoid folding pages, use bookmarks, and handle them with clean hands. Cleaning: Gently dust the covers and pages occasionally.
5. Can I borrow books without buying them? Public Libraries: Local libraries offer a wide range of books for borrowing. Book Swaps: Community book exchanges or online platforms where people exchange books.
6. How can I track my reading progress or manage my book collection? Book Tracking Apps: Goodreads, LibraryThing, and Book Catalogue are popular apps for tracking your reading progress and managing book collections. Spreadsheets: You can create your own spreadsheet to track books read, ratings, and other details.
7. What are Varco Tds 4 Manual audiobooks, and where can I find them? Audiobooks: Audio recordings of books, perfect for listening while commuting or multitasking. Platforms: Audible, LibriVox, and Google Play Books offer a wide selection of audiobooks.
8. How do I support authors or the book industry? Buy Books: Purchase books from authors or independent bookstores. Reviews: Leave reviews on platforms like Goodreads or Amazon. Promotion: Share your favorite books on social media

or recommend them to friends.

9. Are there book clubs or reading communities I can join? Local Clubs: Check for local book clubs in libraries or community centers. Online Communities: Platforms like Goodreads have virtual book clubs and discussion groups.
10. Can I read Varco Tds 4 Manual books for free? Public Domain Books: Many classic books are available for free as they're in the public domain. Free E-books: Some websites offer free e-books legally, like Project Gutenberg or Open Library.

### **Find Varco Tds 4 Manual :**

what size repair manual speakers are in a 2005 chevy silverado

**where am i going**

*whelen 295hfsa1 manual*

*when perfect isnt good enough strategies for coping with perfectionism*

what is a review essay

**what is an argumentative paper**

whatsapp for rm863

*whatsoever things are lovely musthave accessories for gods perfect peace*

**what does english paper1 grade 11 consist of**

what is nfsas

*when to change honda manual transmission fluid*

**when madeline was young jane hamilton**

what is a almanac book

**what your parents never told you english edition**

~~what does english homelaguage paper1 for grade10 contain~~

### **Varco Tds 4 Manual :**

**exhaust gas analysers catalyst equipped vehicles** - Dec 07 2022

web exhaust gas analysers catalyst equipped vehicles past and present in denox catalysis from molecular modelling to chemical engineering dec 15 2022 this book offers an overview of the state of the art in the field of denox catalysis in order to focus novel orientations new technological developments from laboratory to industrial scale



**ebook exhaust gas analysers catalyst equipped vehicles** - Jul 14 2023

web exhaust gas analysers catalyst equipped vehicles characterization of exhaust emissions from passenger cars equipped with three way catalyst control systems jul 17 2022 materials aspects in automotive catalytic converters apr 26 2023 macc 2001 is the successor meeting of the first international conference on materials aspects in

**exhaust gas analysers catalyst equipped vehicles** - Mar 10 2023

web exhaust gas analysers catalyst equipped vehicles exhaust gas analysers catalyst equipped vehicles determination of the catalytic converter performance of bi enactment of the us clean air act amendment caa in 1990 determination of the catalytic converter performance of bi please read the notes prior to searching equipment by type

**free exhaust gas analysers catalyst equipped vehicles** - May 12 2023

web exhaust gas analysers catalyst equipped vehicles testing of new technology oct 16 2021 casual misfueling of catalyst equipped vehicles jul 25 2022 the influence of gasoline benzene and aromatics content on benzene exhaust emissions from non catalyst and catalyst equipped cars dec 06 2020

**sciencedirect com science health and medical journals full text** - Jan 28 2022

web sciencedirect com science health and medical journals full text

**exhaust gas analysers catalyst equipped vehicles 2023** - Aug 15 2023

web exhaust gas analysers catalyst equipped vehicles catalyst deactivation 1991 sep 18 2021 catalyst deactivation 1991 was an expanded version of earlier highly successful symposia the symposium featured invited and solicited papers including 4 plenary lectures 78 oral presentations and 23 poster papers most of the papers are contained in

**exhaust gas analyser for petrol vehicles capelec** - Apr 11 2023

web discover our exhaust gas analyser solutions for petrol vehicles emission testing capelec offers you professional precise and innovative control and measurement equipment

**exhaust gas analysers catalyst equipped vehicles copy** - Feb 26 2022

web aug 5 2023 methods for exhaust emissions at normal and low ambient temperature exhaust emissions at two speed idle condition crankcase emissions and evaporative emissions and technical requirements and measurement methods for the durability of pollution control devices and onboard diagnostic obd

**exhaust gas analysers catalyst equipped vehicles copy** - Mar 30 2022

web 4 exhaust gas analysers catalyst equipped vehicles 2022 12 21 illustrations provide additional visual explanation to the reader this book features approximately 4 500 keywords with detailed cross references more than 1 700 illustrations some in full color in depth contributions from nearly 100 experts from industry and science engine

**portable engine exhaust analyzers nova gas** - Feb 09 2023

web analysis of exhaust gas from combustion engines can help evaluate engine performance and diagnose problems a nova portable engine exhaust gas analyzer can measure oxygen o2 carbon monoxide co carbon dioxide co2 nitrogen oxide no nitrogen dioxide no2 and hydrocarbons hc s

*exhaust gas analysers catalyst equipped vehicles full pdf* - Oct 05 2022

web exhaust gas analysers catalyst equipped vehicles hearings air pollution abstracts national atmospheric sciences program acid precipitation hearings real time exhaust gas emission analysis on public transport buses equipped with different exhaust control systems automobile exhaust emission testing

**exhaust gas analysers catalyst equipped vehicles** - Nov 06 2022

web plainly put the exhaust gas analysers catalyst equipped vehicles is internationally consistent with any devices to browse it will positively waste the period

exhaust gas analysers catalyst equipped vehicles - Jan 08 2023

web 4 exhaust gas analysers catalyst equipped vehicles 2021 07 31 idle condition nox co2 and hc decrease with time and stay constant after they reach 15 minutes of idle time the cold idle emissions are observed to be very high when compared to the hot idle condition this is because the hot idle emissions are collected after the bus gets back to

*exhaust gas analysers catalyst equipped vehicles download* - Jun 13 2023

web casual misfueling of catalyst equipped vehicles mar 20 2023 effects of ferrocene as a gasoline additive on exhaust emissions and fuel consumption of catalyst equipped vehicles may 10 2022 roadside survey of catalyst equipped vehicles srs 92 005 apr 28 2021 methodology to calculate emission factors for on road motor vehicles

**exhaust gas analysers catalyst equipped vehicles** - Jun 01 2022

web analysers catalyst equipped vehicles pdf download books exhaust gas analysers catalyst catalytic converter replacement 101 oem style converter june 11th 2018 equipped vehicles in the united states the catalyst inside the catalytic converter will never wear out or deteriorate under or

*exhaust gas analysers catalyst equipped vehicles* - Apr 30 2022

web an approved exhaust gas analyser for catalyst equipped vehicles and may also have one or more of the analysers listed below f a measurement systems for diesel exhaust gas horiba

**exhaust gas analysers catalyst equipped vehicles** - Aug 03 2022

web exhaust gas analysers catalyst equipped vehicles please read the notes prior to searching equipment by type june 19th 2018 section j exhaust gas analysers catalyst vehicles the exhaust gas analysers listed below have been approved for testing class 4 amp 7 vehicles including those first used on or after 1

**exhaust gas analysers catalyst equipped vehicles** - Sep 04 2022

web exhaust gas analysers catalyst equipped vehicles us4175427a engine fault analysis on catalytic converter june 13th 2018  
an apparatus and method to isolate faults in a catalytic converter equipped exhaust a gas analyzer is of catalyst failure on  
board a motor vehicle using gas analyzer readings for engine diagnosis

**can i use a combustion analyser to test a car exhaust** - Dec 27 2021

web do not use your combustion analyser on a car the co sensor will be damaged due to the high levels of carbon monoxide  
produced by the engine the product you require is an automotive analyser the kane auto4 2

**exhaust gas analysers catalyst equipped vehicles pdf** - Jul 02 2022

web exhaust gas analysers catalyst equipped vehicles exhaust gas analysers catalyst equipped vehicles 2 downloaded from  
bespoke cityam com on 2022 12 21 by guest air pollution abstracts united states environmental protection agency 1976  
vehicle emissions selected sae papers society of automotive engineers engineering

**kp the autobiography amazon co uk** - Sep 23 2021

**kp the autobiography english edition pdf uniport edu** - Feb 26 2022

web right here we have countless book kp the autobiography english edition and collections to check out we additionally pay  
for variant types and plus type of the books

**kp the autobiography pietersen kevin** - Dec 07 2022

web kp the autobiography english edition ebook pietersen kevin amazon de kindle store

*kp the autobiography pietersen kevin 1980* - Mar 10 2023

web oct 9 2014 kp s latest autobiography does a secret history on english cricket and he pretty much launches a blitzkrieg  
against his former colleagues and team mates from

**buy kp the autobiography book online at low prices in** - Jun 01 2022

web finde hilfreiche kundenrezensionen und rezensionsbewertungen für kp the autobiography english edition auf amazon de  
lese ehrliche und

kp the autobiography by kevin pietersen booktopia - Jul 02 2022

web aug 27 2020 download book kp the autobiography by author kevin pietersen in pdf epub original title isbn b00lo82e7e  
published on 2014 10 9 in edition

**kp the autobiography kindle edition amazon com au** - Aug 03 2022

web kevin pietersen kp the autobiography paperback 14 october 2015 by kevin pietersen author 707 ratings see all formats  
and editions kindle edition 346 92

*kp the autobiography pietersen kevin* - Jul 14 2023

web kp paints himself as a straightforward honest bloke from pietermaritzburg lost in the world of english cricket s dissembling cliques and backbiting he knows he s not like the other

*pdf epub kp the autobiography download oceanofpdf* - Apr 30 2022

web the game who stunned the cricket world when he prematurely ended his own england career trescothick s brave and soul baring account of his mental frailties opens the way

kp the autobiography pietersen kevin 1980 author free - May 12 2023

web giving readers the full story of his life from his childhood in south africa to his experiences as one of the leading lights in the world of international cricket kp is an autobiography

*kp the autobiography english edition pdf yvc moeys gov* - Dec 27 2021

web the fascinating life story of professional cricketer kevin pietersen mbe from his childhood in south africa to his experiences as one of the leading lights in the world of international

*amazon com kp the autobiography audible audio edition* - Nov 25 2021

web kp the autobiography audio download kevin pietersen byron mondahl hachette kindle edition 3 99 read with our free app audiobook 0 00 free with strauss is

kp the autobiography kindle edition amazon com - Jan 08 2023

web kp the autobiography is the autobiography of england cricketer kevin pietersen ghost written by irish sports journalist david walsh it was scheduled to be released on 9

amazon de kundenrezensionen kp the autobiography english - Mar 30 2022

web 6 kp the autobiography english edition 2023 02 08 level once again england had astonishingly won on the boundary count back and the nation could finally breathe

**kp the autobiography kindle edition amazon co uk** - Apr 11 2023

web oct 10 2014 kp the autobiography has briefly descended english cricket into chaos it has no humour only fleeting references to camaraderie no praise for the talents of his

**kp the autobiography kevin pietersen google books** - Aug 15 2023

web oct 9 2014 giving readers the full story of his life from his childhood in south africa to his experiences as one of the leading lights in the world of international cricket kp is an

**kp the autobiography hardcover 9 oct 2014** - Jun 13 2023

web language english 324 pages 24 cm this is the fascinating life story of professional cricketer kevin pietersen mbe from his childhood in south africa to his recent

kp the autobiography more score settling than an - Sep 04 2022

web the incredible bestselling autobiography of england s most colourful cricketer the fascinating life story of professional cricketer kevin pietersen mbe from his childhood in

**kp the autobiography english edition banking finance gov** - Jan 28 2022

web kp s latest autobiography does a secret history on english cricket and he pretty much launches a blitzkrieg against his former colleagues and team mates from which many

*review kp the autobiography espncricinfo* - Feb 09 2023

web in fact you could scarcely call it an autobiography kp has things he needs to say and by god he s going to say them the theme of this book is misunderstanding kp paints

*kp the autobiography english edition kindle edition amazon de* - Oct 05 2022

web kindle store

**kp the autobiography wikipedia** - Nov 06 2022

web oct 6 2014 kp the autobiography presents itself as the first genuinely open unblinkered version of a series of events that have proved horribly rancorous and

**kp the autobiography kindle edition amazon in** - Oct 25 2021

madhya pradesh board of secondary education - Aug 15 2023

web academics blue print model questions answers for xth class english special english general hindi special hindi general sanskrit general sanskrit special mathematics science

**blueprint class 10 mp board 2014 download only** - Nov 06 2022

web 2 blueprint class 10 mp board 2014 2019 10 28 english german english romanian romanian english points of view the book will appeal to agriculturists animal breeders professors researchers students and translators from croatian english french german and romanian speaking countries active in their own countries or abroad

*mp 10th blueprint 2024 mp board new blueprint 2024 mpbse 10th* - Jul 02 2022

web mp board class 10th mathematics blueprint marking scheme 2024 are given in this article we present you the mp board class 10th mathematics blueprint to prepare for the upcoming board exam 2024 mp board class 10th

madhya pradesh 10th blueprint 2024 mp xth exam pattern 2024 board - Aug 03 2022

web mp 10th blueprint 2024 madhya pradesh board of secondary education announced the blueprint 2024 today hence the aspirants who appeared for the mp board 10th public exam exams 2023 can download 10th blueprint 2024 below however we given the direct link in the table below just click on the link and download

**mp board blueprint 2024 mpbse class 12th 10th 11th 9th blue print** - Feb 09 2023

web mp board blueprint 2024 12th 11th 10th 9th class madhya pradesh board of secondary education mpbse 9th 10th 11th and 12th class exams are scheduled to be held in march month every year lot of students get enrolled in various madhya pradesh state schools since like other boards it also follows ncert curriculum

**mp board 10th model paper for all subjects download pdf** - Sep 04 2022

web jan 16 2019 mp board class 10 hindi model question paper marking scheme weightage and blueprint the blueprint for mp board class 10 hindi special and general is available here

**mp board 10th syllabus 2023 24 download revised mpbse class 10** - Feb 26 2022

web aug 9 2023 mpbse class 10 syllabus 2024 board of secondary education madhya pradesh has published its updated mpbse class 10 syllabus for the current academic year 2023 2024 students can find the detailed

**blueprint and model paper for mp board class 10 english subject** - Jul 14 2023

web feb 28 2019 check the latest blueprint of english special and english general of mp board class 10 for the session 2018 2019 three sets of mp board class 10 english model question paper with marking scheme

[mp board 10th syllabus 2024 download mpbse class 10](#) - Mar 30 2022

web jul 31 2023 preparation tips result dates faqs mp board 10th syllabus 2023 24 the madhya pradesh board of secondary education has released the mp board class 10 syllabus 2023 24 the mpbse 10th syllabus 2023 24 is available on the official website mpbse nic in students preparing for class 10 exams of the mpbse board should check

[mp board blueprint 2023 download 10th and 12th mp blueprint](#) - Jan 28 2022

web jul 13 2023 the mp board blueprint 2023 for class 10th and 12th to all streams science commerce and arts are mentioned in the article for the students to refer and use the direct links to download the blueprint madhya pradesh secondary education board conducts mp board examinations yearly across numerous examination centres this

**mp board class 10th blueprint 2023 24 download pdf for** - Mar 10 2023

web jul 6 2023 the mp board class 10th blueprint 2023 24 has been released the question papers will now have objective subjective and analytical questions mpbse released the blueprint for the board exam on its official website mpbse conducts the mp board 10th examination every year to certify candidates for higher education

**blueprint class 10 mp board 2014 pdf wrbb neu** - Dec 07 2022

web it is your completely own epoch to take effect reviewing habit in the middle of guides you could enjoy now is blueprint class 10 mp board 2014 below blueprint class 10 mp board 2014 2020 07 22 ballard macias the quartermaster corps national academies press the nation has made tremendous progress in reducing tobacco use during the

*mpbse blueprint for class 10 mp board blueprint aglasem* - Apr 11 2023

web february 24 2023 in 10th class madhya pradesh mpbse blueprint 2022 for class 10 here we are providing the mp board

blueprint for class 10th for the 2021 22 session the mp board of school education has announced

*mp board class 10 mathematics model question paper set 1 - Jun 13 2023*

web dec 27 2018 get the latest blue print of mp board class 10 mathematics question paper for the session 2018 2019 also get model paper and marking scheme to check your preparation level

mp board class 10 blue print syllabus 2023 all subject list - Apr 30 2022

web dec 4 2022 mp board class 10 mathematics question paper for the session 2018 2019 also get model paper and marking scheme to check your preparation level mp board class 10 blue print syllabus 2023 pdf

mp board blueprint 2023 2024 download pdf for mpbse hssc - Jun 01 2022

web sep 12 2023 mukhyamantri ladli bahna yojana mp board retotaling result it is said that soon the mp board blueprint 2023 2024 for class 12 will be released through the official portal for various subjects besides the subjects for students in class 12th the blueprint in pdf format can be downloaded easily by following the steps given in this article

*mp board hsc blueprint mpbse 10th blueprint 2024 pdf - Oct 05 2022*

web class 10th of high school course students can download mpbse blue print 2024 every year the mpbse announced subject wise new exam scheme exam pattern or question paper style blueprint of question paper announced in

**mp board class 10 blueprint i marking scheme exam pattern 2020 - May 12 2023**

web from the mp board 10th blueprint 2021 22 students will be able to check the question pattern types of questions and section wise marks distribution of the mp board pariksha in detail they will get familiar with the exam pattern and the marking scheme as well

**mp board 10th blueprint 2024 mp blueprint 2024 pdf at - Jan 08 2023**

web mpbse 10th blueprint 2022 mp board class 10th new blueprint 2022 board name mpbse exam name public exam academic year 2023 exam start date april 2023 blueprint release date available below links category mp board 10th blueprint 2024 mp blueprint 2024 pdf at mpbse nic in official website mpbse nic in

mp board 10th class blue print 2023 download medium wise pdfs - Dec 27 2021

web mpbse board will be upload new mp board class 10th blueprint 2023 pdf download mp board also provides science physics chemistry blueprint of class 10th 2023 the students who are studying in madhya pradesh board of secondary education they eagerly waiting for mp board 10th blueprint 2023