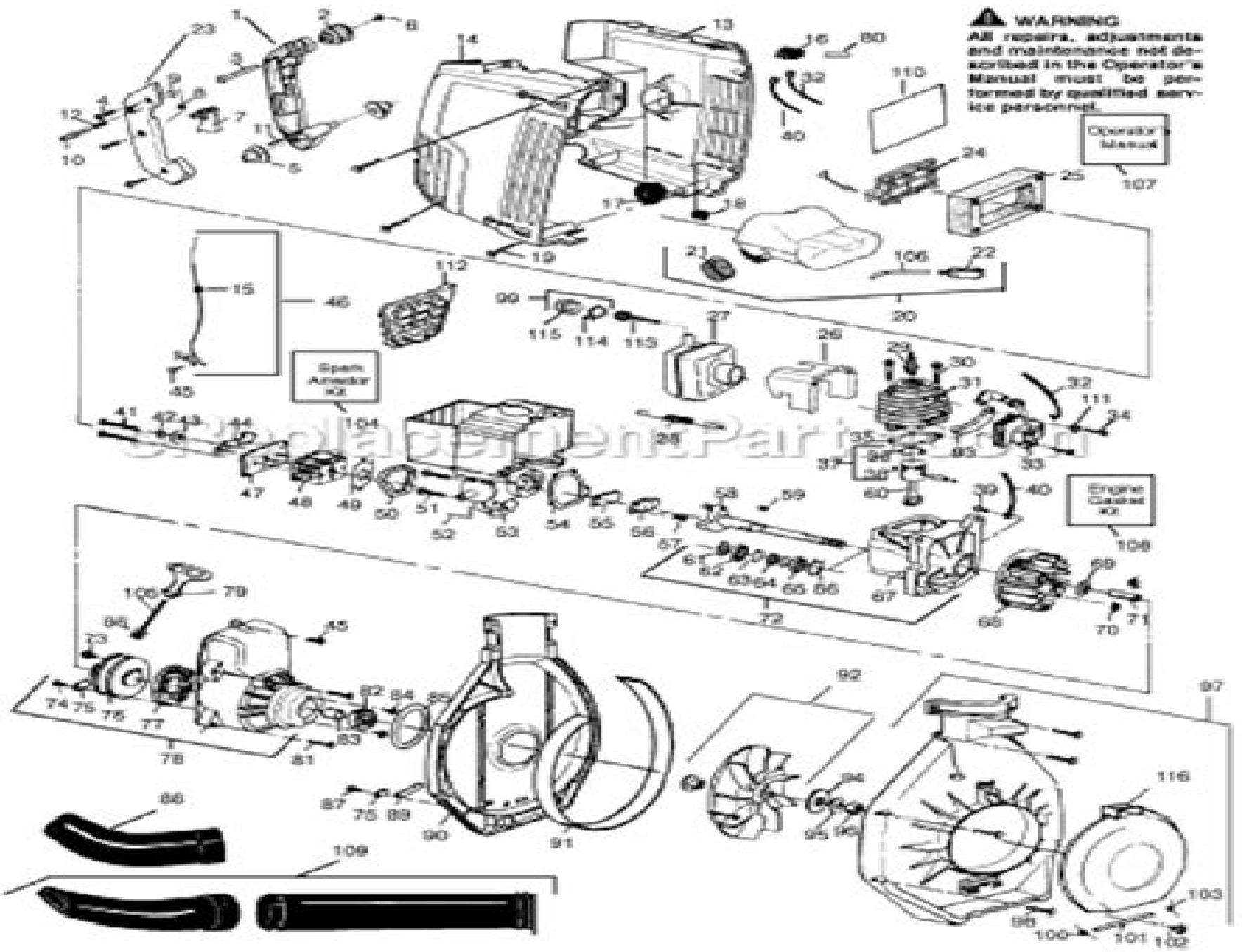


WARNING
 All repairs, adjustments and maintenance not described in the Operator's Manual must be performed by qualified service personnel.

Operator Manual
 107

Engine Control Kit
 108

Spark Arrestor Kit
 104



Weed Eater Gbi30v Manual

**Poulan/Weed Eater (Firm), White
Consolidated Industries**

Weed Eater Gbi30v Manual:

String Trimmer and Blower Intertec Publishing Corporation,1992 Provides detailed information on how to operate maintain and repair string trimmers and blowers the following manufacturers of electric and gasoline powered string trimmers and blowers are covered Alpina Black specific repair instructions for string trimmer and blower gasoline engines are covered for the following manufacturers John Deere Echo Efco Fuji Homelite Husqvarna IDC Kawasaki Kioritz Komatsu McCulloch Mitsubishi Piston Powered Products Poulan Sachs Dolmar Shindaiwa Stihl Tanaka TAS Tecumseh TML Trail Page 4 of cover Master Service Manual Poulan/Weed Eater (Firm),White Consolidated Industries,1987 **String Trimmer Srvc Ed 3** Penton Staff,2000-05-24 String Trimmer and Blower Service Manaual for more than 35 popular brands and 500 models

The Enigmatic Realm of **Weed Eater Gbi30v Manual**: Unleashing the Language is Inner Magic

In a fast-paced digital era where connections and knowledge intertwine, the enigmatic realm of language reveals its inherent magic. Its capacity to stir emotions, ignite contemplation, and catalyze profound transformations is nothing short of extraordinary. Within the captivating pages of **Weed Eater Gbi30v Manual** a literary masterpiece penned with a renowned author, readers attempt a transformative journey, unlocking the secrets and untapped potential embedded within each word. In this evaluation, we shall explore the book's core themes, assess its distinct writing style, and delve into its lasting affect the hearts and minds of people who partake in its reading experience.

<http://www.frostbox.com/results/book-search/Documents/virella%20tome%20couronne%20de%20vers.pdf>

Table of Contents Weed Eater Gbi30v Manual

1. Understanding the eBook Weed Eater Gbi30v Manual
 - The Rise of Digital Reading Weed Eater Gbi30v Manual
 - Advantages of eBooks Over Traditional Books
2. Identifying Weed Eater Gbi30v Manual
 - Exploring Different Genres
 - Considering Fiction vs. Non-Fiction
 - Determining Your Reading Goals
3. Choosing the Right eBook Platform
 - Popular eBook Platforms
 - Features to Look for in an Weed Eater Gbi30v Manual
 - User-Friendly Interface
4. Exploring eBook Recommendations from Weed Eater Gbi30v Manual
 - Personalized Recommendations
 - Weed Eater Gbi30v Manual User Reviews and Ratings
 - Weed Eater Gbi30v Manual and Bestseller Lists

5. Accessing Weed Eater Gbi30v Manual Free and Paid eBooks
 - Weed Eater Gbi30v Manual Public Domain eBooks
 - Weed Eater Gbi30v Manual eBook Subscription Services
 - Weed Eater Gbi30v Manual Budget-Friendly Options
6. Navigating Weed Eater Gbi30v Manual eBook Formats
 - ePub, PDF, MOBI, and More
 - Weed Eater Gbi30v Manual Compatibility with Devices
 - Weed Eater Gbi30v Manual Enhanced eBook Features
7. Enhancing Your Reading Experience
 - Adjustable Fonts and Text Sizes of Weed Eater Gbi30v Manual
 - Highlighting and Note-Taking Weed Eater Gbi30v Manual
 - Interactive Elements Weed Eater Gbi30v Manual
8. Staying Engaged with Weed Eater Gbi30v Manual
 - Joining Online Reading Communities
 - Participating in Virtual Book Clubs
 - Following Authors and Publishers Weed Eater Gbi30v Manual
9. Balancing eBooks and Physical Books Weed Eater Gbi30v Manual
 - Benefits of a Digital Library
 - Creating a Diverse Reading Collection Weed Eater Gbi30v Manual
10. Overcoming Reading Challenges
 - Dealing with Digital Eye Strain
 - Minimizing Distractions
 - Managing Screen Time
11. Cultivating a Reading Routine Weed Eater Gbi30v Manual
 - Setting Reading Goals Weed Eater Gbi30v Manual
 - Carving Out Dedicated Reading Time
12. Sourcing Reliable Information of Weed Eater Gbi30v Manual
 - Fact-Checking eBook Content of Weed Eater Gbi30v Manual
 - Distinguishing Credible Sources
13. Promoting Lifelong Learning

- Utilizing eBooks for Skill Development
 - Exploring Educational eBooks
14. Embracing eBook Trends
- Integration of Multimedia Elements
 - Interactive and Gamified eBooks

Weed Eater Gbi30v Manual Introduction

In today's digital age, the availability of Weed Eater Gbi30v Manual books and manuals for download has revolutionized the way we access information. Gone are the days of physically flipping through pages and carrying heavy textbooks or manuals. With just a few clicks, we can now access a wealth of knowledge from the comfort of our own homes or on the go. This article will explore the advantages of Weed Eater Gbi30v Manual books and manuals for download, along with some popular platforms that offer these resources. One of the significant advantages of Weed Eater Gbi30v Manual books and manuals for download is the cost-saving aspect. Traditional books and manuals can be costly, especially if you need to purchase several of them for educational or professional purposes. By accessing Weed Eater Gbi30v Manual versions, you eliminate the need to spend money on physical copies. This not only saves you money but also reduces the environmental impact associated with book production and transportation. Furthermore, Weed Eater Gbi30v Manual books and manuals for download are incredibly convenient. With just a computer or smartphone and an internet connection, you can access a vast library of resources on any subject imaginable. Whether you're a student looking for textbooks, a professional seeking industry-specific manuals, or someone interested in self-improvement, these digital resources provide an efficient and accessible means of acquiring knowledge. Moreover, PDF books and manuals offer a range of benefits compared to other digital formats. PDF files are designed to retain their formatting regardless of the device used to open them. This ensures that the content appears exactly as intended by the author, with no loss of formatting or missing graphics. Additionally, PDF files can be easily annotated, bookmarked, and searched for specific terms, making them highly practical for studying or referencing. When it comes to accessing Weed Eater Gbi30v Manual books and manuals, several platforms offer an extensive collection of resources. One such platform is Project Gutenberg, a nonprofit organization that provides over 60,000 free eBooks. These books are primarily in the public domain, meaning they can be freely distributed and downloaded. Project Gutenberg offers a wide range of classic literature, making it an excellent resource for literature enthusiasts. Another popular platform for Weed Eater Gbi30v Manual books and manuals is Open Library. Open Library is an initiative of the Internet Archive, a non-profit organization dedicated to digitizing cultural artifacts and making them accessible to the public. Open Library hosts millions of books, including both public domain works and contemporary titles. It also allows users to borrow digital copies of certain

books for a limited period, similar to a library lending system. Additionally, many universities and educational institutions have their own digital libraries that provide free access to PDF books and manuals. These libraries often offer academic texts, research papers, and technical manuals, making them invaluable resources for students and researchers. Some notable examples include MIT OpenCourseWare, which offers free access to course materials from the Massachusetts Institute of Technology, and the Digital Public Library of America, which provides a vast collection of digitized books and historical documents. In conclusion, Weed Eater Gbi30v Manual books and manuals for download have transformed the way we access information. They provide a cost-effective and convenient means of acquiring knowledge, offering the ability to access a vast library of resources at our fingertips. With platforms like Project Gutenberg, Open Library, and various digital libraries offered by educational institutions, we have access to an ever-expanding collection of books and manuals. Whether for educational, professional, or personal purposes, these digital resources serve as valuable tools for continuous learning and self-improvement. So why not take advantage of the vast world of Weed Eater Gbi30v Manual books and manuals for download and embark on your journey of knowledge?

FAQs About Weed Eater Gbi30v Manual Books

How do I know which eBook platform is the best for me? Finding the best eBook platform depends on your reading preferences and device compatibility. Research different platforms, read user reviews, and explore their features before making a choice. Are free eBooks of good quality? Yes, many reputable platforms offer high-quality free eBooks, including classics and public domain works. However, make sure to verify the source to ensure the eBook credibility. Can I read eBooks without an eReader? Absolutely! Most eBook platforms offer web-based readers or mobile apps that allow you to read eBooks on your computer, tablet, or smartphone. How do I avoid digital eye strain while reading eBooks? To prevent digital eye strain, take regular breaks, adjust the font size and background color, and ensure proper lighting while reading eBooks. What the advantage of interactive eBooks? Interactive eBooks incorporate multimedia elements, quizzes, and activities, enhancing the reader engagement and providing a more immersive learning experience. Weed Eater Gbi30v Manual is one of the best book in our library for free trial. We provide copy of Weed Eater Gbi30v Manual in digital format, so the resources that you find are reliable. There are also many Ebooks of related with Weed Eater Gbi30v Manual. Where to download Weed Eater Gbi30v Manual online for free? Are you looking for Weed Eater Gbi30v Manual PDF? This is definitely going to save you time and cash in something you should think about.

Find Weed Eater Gbi30v Manual :

[virella tome couronne de vers](#)

[vivitar v3800n manual slr camera](#)

visual art curriculum pacing guide

visteon 6000cd user guide

vivicam t027 owner manual

[vip722k dvr manual](#)

viper rpn 479v p x manual

[viper rpn 7153v manual](#)

[virgin mobile manual internet settings](#)

[vizio sb4021m manual](#)

[vixia hf10 user manual](#)

[vizio manual e390 b1e](#)

[viper 571xv install manual](#)

visual art 2007 cssa papers

[vipers den part one two english edition](#)

Weed Eater Gbi30v Manual :

[burn this monologue pale mighty actor](#) - Aug 23 2023

web burn this monologue pale all monologues are property and copyright of their owners monologues are presented on mightyactor for educational purposes only a monologue

burn this play pdf form signnow - Jan 04 2022

web stage burn this by wilson the new york times burn a new play by james graham read the script stage sgt presents burn this by lanford wilson plays now through

[watch how ring of fire eclipse burned across us skies](#) - Aug 31 2021

mr burns a post electric play wikipedia - May 08 2022

web lanford wilson 4 17 36 ratings6 reviews the play begins shortly after the funeral of robbie a young gay dancer who drowned in a boating accident with his lover dom in

in a texas sized game 7 al championship series the rangers - Jul 30 2021

burn this a play lanford wilson google books - Oct 13 2022

web dramatists play service one of the premier play licensing and theatrical publishing agencies in the world was formed in 1936 to foster national opportunities for playwrights

burn this wikipedia - Jul 22 2023

the play begins shortly after the funeral of robbie a young gay dancer who drowned in a boating accident with his lover dom in attendance were robbie s roommates his sensitive dance partner and choreographer anna and confident gay advertising executive larry soon joining them in robbie s lower manhattan loft are screenwriter burton anna s longtime lover and pale robbie s cocaine snorting hyperactive restaurant manager brother in the face of their shared tragedy t

burn this by lanford wilson open library - Feb 17 2023

web burn this lanford wilson act 1 anna s huge loft in a converted cast iron building in lower manhattan new york city the time is the present six o clock in the evening mid

dramatists play service inc - Aug 11 2022

web kerri russell makes her broadway debut with burn this but adam driver is a broadway veteran having appeared in two previous broadway plays rounding out the cast are a

burn this theatregold - Mar 18 2023

web nov 18 2022 created by importbot imported from western washington university marc record burn this by lanford wilson 1998 dramatists play service inc edition in english

burn this play script help environment harvard edu - Dec 03 2021

web oct 20 2023 netflix call it nudity creep one of the most popular shows on one of the most popular streaming services is called naked attraction it s a fully completely naked

burn this summary enotes com - Apr 19 2023

web may 6 2015 act i scene 1 burn this opens just after the death and funeral of robbie anna and larry s roommate the action takes place in the roommates loft and as the play

burn this wilson pdf scribd - Jun 21 2023

web the play has a vor ity and an almost manic determination to drive right into the highest voltages that life can register jack krol netosweek lanford wilson is our most sat 1g

burn this wilson lanford 1937 2011 free download borrow - Sep 24 2023

web burn this by wilson lanford 1937 2011 publication date 1998 publisher new york dramatists play service collection

inlibrary printdisabled internetarchivebooks

shows like naked attraction use nudity creep to attract npr - Oct 01 2021

web 14 hours ago williams the rangers will play the winner of tonight s game 7 between the philadelphia phillies and arizona diamondbacks game 1 of the world series is set

burn this play script media joomlashine com - Nov 02 2021

web oct 14 2023 watch how ring of fire eclipse burned across us skies stargazers and astronomers witnessed an annular solar eclipse in parts of the us central and south

burn this a play wilson lanford 1937 free download - May 20 2023

web burn this a play by wilson lanford 1937 publication date 1987 topics circle repertory theatre new york publisher new york noonday press

burn this a play by lanford wilson goodreads - Mar 06 2022

web pc mac tablet ebook reader or smartphone save as pdf version of script burn this lanford wilson download zip of script burn this lanford wilson read online script burn

burn this the american theatre wing s tony awards - Jun 09 2022

web oct 1 1998 paperback 12 30 24 used from 6 53 11 new from 10 18 commissioned by the circle repertory company burn this first appeared at the mark taper forum in los

burn this acting edition amazon com - Apr 07 2022

web oct 12 2020 overview view 1 edition details reviews lists related books last edited by importbot october 12 2020 history edit an edition of burn this 1987 burn this a

lanford wilson writing styles in burn this bookrags com - Sep 12 2022

web burn this is a play written by lanford wilson it was first performed in 1987 and explores themes of love loss and grief the term burn this play pdf likely refers to a digital

burn this review adam driver ignites patchy - Nov 14 2022

web burn this is a two act play the exposition occurs in the first act when the audience learns of robbie s death and the family history the complication also occurs in this act when it

burn this encyclopedia com - Dec 15 2022

web commissioned by the circle repertory company burn this first appeared at the mark taper forum in los angeles in 1987 to near universal praise set in the bohemian art

burn this play pdf fill online printable fillable blank pdffiller - Jul 10 2022

web mr burns a post electric play stylized mr burns a post electric play is an american black comedy play written by anne

washburn with music by michael friedman the play

acting classes los angeles michelle danner acting studio - Jan 16 2023

web burn this opens just after the death and funeral of robbie anna and larry s roommate the action takes place in the roommates loft and as the play begins anna is huddled on

burn this by lanford wilson open library - Feb 05 2022

web dependence currently this burn this play script as one of the most practicing sellers here will utterly be along with the best options to review dry land ruby rae spiegel

test bank pharmacology and the nursing process 10th edition by lilley - Aug 02 2023

web the 10th edition of the test bank for pharmacology and the nursing process by lilley offers an essential and comprehensive set of examination questions designed to empower nursing students with a deeper understanding of pharmacological principles and their application in patient care

test bank pharmacology and the nursing process 9th edition - Oct 04 2023

web test bank pharmacology and the nursing process linda lane lilley shelly rainforth collins julie s snyder chapter 01 the nursing process and drug therapy chapter 02 pharmacologic principles chapter 03 lifespan considerations chapter 04 cultural legal and ethical considerations chapter 05 medication errors preventing and responding

pharmacology and the nursing process 8th edition lilley test bank - Jul 21 2022

web if you want to do better on your tests use our test bank of study questions as a resource download pharmacology and the nursing process 8th edition lilley test bank if you want to succeed in your exams like other students all you have to do is download this entire test bank in a matter of minutes and start learning and practicing

test bank for pharmacology and the nursing process 10th edition by lilley - Aug 22 2022

web test bank for pharmacology and the nursing process 10th edition by lilley table of contents part 1 pharmacology basics 1 the nursing process and drug therapy 2 pharmacologic principles 3 lifespan considerations 4 cultural legal and ethical considerations 5 medication errors preventing and responding 6 patient education and

evolve resources for pharmacology and the nursing process elsevier - Apr 29 2023

web apr 12 2022 evolve resources for pharmacology and the nursing process 10th edition by linda lane lilley rn phd shelly rainforth collins pharmd and julie s snyder msn rn bc

test bank for lilley pharmacology and the nursing process - Mar 29 2023

web oct 21 2021 the other options reflect components of a general medication assessment or health history dif cognitive level applying application top nursing process assessment msc nclex psychosocial integrity chapter 05 medication errors preventing and responding lilley pharmacology and the nursing process 9th

pharmacology and the nursing process 9th edition lilley collins - Jun 19 2022

web access and instantly download the pharmacology and the nursing process 9th edition lilley collins snyder nursing test bank pdf to sharpen your skills replicate the real test environment and improve nursing students critical thinking and clinical skills to ace your classes with ease

test bank for pharmacology and the nursing process 8th edition by lilley - Mar 17 2022

web buy and sell verified study materials test banks study notes ati exam reviews and notes

test bank for pharmacology and the nursing process 9th by lilley - Jan 27 2023

web test bank for pharmacology and the nursing process 9th by lilley free download as pdf file pdf text file txt or read online for free test bank

test bank for pharmacology and the nursing process - Sep 22 2022

web popular books biology mary ann clark jung choi matthew douglas college physics raymond a serway chris vuille essential environment the science behind the stories jay h withgott matthew laposata everything s an argument with 2016 mla update university andrea a lunsford university john j ruszkiewicz lewis s medical surgical

pharmacology and the nursing process 9th test bank by lilley - May 31 2023

web dive into the dynamic world of pharmacology with the test bank for pharmacology and the nursing process 9th edition by linda lilley this comprehensive test bank is your gateway to mastering the art of safe and effective medication administration within the nursing process

pharmacology nursing process 9th lilley studocu - Jul 01 2023

web pharmacology nursing process 9th lilley pathophysiology and pharmacology hitt 2371 practice questions for chapter 1 pharmacology and the nursing process pharmacology and the nursing process 9th edition

test bank for pharmacology and the nursing process 8th edition - May 19 2022

web jul 17 2018 pharmacology and the nursing process 8th edition test bank amp x20ac amp x201c lilley sample chapter 10 analgesic drugs lilley pharmacology and the nursing process 8th edition

test bank for pharmacology and the nursing process 9th - Feb 25 2023

web sep 30 2021 test bank for pharmacology and the nursing process 9th edition by linda lane lilley shelly rainfort book pharmacology and the nursing process test bank for pharmacology and the nursing process 9th edition by linda lane lilley shelly rainforth collins julie s snyder contents part 1 pharmacology basics 1

pharmacology online for pharmacology and the nursing process - Feb 13 2022

web sep 21 2023 buy the book pharmacology online for pharmacology and the nursing process access code and textbook package by linda lane lilley patricia neafsey julie s snyder at indigo

pharmacology and the nursing process 10th nursing test bank prep lilley - Apr 17 2022

web pharmacology and the nursing process 10th nursing test bank prep lilley 30 00 15 00 download pharmacology and the nursing process 10th nursing test bank prep lilley with full and complete chapters instantly nursing test bank will have you on the road to academic excellence add to cart

test bank for pharmacology and the nursing process 9th edn - Dec 26 2022

web jun 3 2023 test bank for pharmacology and the nursing process 9th edn by snyder linda lilley all chapters 1 58 chapter 01 the nursing process and drug thera

test bank pharmacology and the nursing process 9th lilley - Nov 24 2022

web dive into the dynamic world of pharmacology with the test bank for pharmacology and the nursing process 9th edition by linda lilley this comprehensive test bank is your gateway to mastering the art of safe and effective medication administration within the nursing process

testbank lilley pharmacology nursing process 9th 2019 pdf - Sep 03 2023

web testbank lilley pharmacology nursing process 9th 2019 pdf test bank pharmacology and the nursing process 9th edition linda lane lilley shelly course hero

test bank for pharmacology and the nursing process 9th by lilley - Oct 24 2022

web test bank for pharmacology and the nursing process 5th edition linda l lilley 35 00 26 50 pharmacology and the nursing process 8th edition lilley collins snyder test bank 35 00 26 50 test bank for pharmacology and the nursing process 8th edition by lilley 35 00 26 50

İkinci Şans bölümler kısa videolar haberler tlc - Apr 16 2022

web İkinci Şans son bÖlÜmÜ İzle lİsteme ekle başarılı bir oyuncu menajeri olan monika kendi şirketini yönettiği rüya gibi bir hayat sürmektedir 40 yaş gününü kutlamaya hazırlanırken polis onu uyuşturucu satıcılığundan tutuklar ve dünyası beklenmedik bir şekilde başına yıkılır yüklendi 0 bÖlÜmler

nextdata bİlgİ İletİŞİM danİŞmanlık ve satİŞ - Jun 18 2022

web 20 889 84 1 2 3 son toplam 30 gösterilen 1 12 arası nextdata bİlgİ İletİŞİM danİŞmanlık ve satİŞ hİzmetlerİ sanayİ ve tİicaret anonİm Şİrketİ devlet malzeme ofisi kamuda akıllı satınalma

vindicta tras tu rastro ii saga bianchessi n° 2 - Nov 23 2022

web vindicta tras tu rastro ii saga bianchessi n° 2 spanish edition ebook anders aeryn amazon in kindle store

descargar vindicta tras tu rastro ii saga bianchessi n° 3 - Feb 24 2023

web mar 28 2020 vindicta tras tu rastro ii saga bianchessi n° 3 de aeryn anders autor aeryn anders categoria libros literatura y ficción acción y aventura tapa blanda 905 kb editor colección idioma español isbn 10 isbn 13

vindicta tras tu rastro ii saga bianchessi nº 2 goodreads - Aug 01 2023

web el italiano ahora relevado de sus funciones dentro de la familia bianchessi planea junto a valentino la venganza del asesinato de la mujer que sigue amando sin importarle las consecuencias que sus actos puedan ocasionar

vindicta tras tu rastro ii saga bianchessi n 3 pdf uniport edu - Oct 23 2022

web apr 10 2023 vindicta tras tu rastro ii saga bianchessi n 3 3 11 downloaded from uniport edu ng on april 10 2023 by guest from successful women who battled adversity and won including gloria steinem maya angelou and helen keller will prove to girls that everything is possible as long as they persist

vindicta tras tu rastro ii saga bianchessi n 3 pdf - Mar 16 2022

web vindicta tras tu rastro ii saga bianchessi n 3 downloaded from controlplane themintgaming com by guest brody harry ilustración española y americana univ of california press the phenomenal new york times bestseller that explores the upstairs downstairs goings on of a posh parisian apartment building

İstanbul gence arası ucuz uçak biletleri skyscanner - May 18 2022

web oct 7 2023 İstanbul gence arası uçuşunuzda en iyi uçak bileti fiyatını garantilemek için tarihlerinizi esnetin seyahat tarihleriniz esnekse skyscanner ın tüm ay aracını kullanarak gence İstanbul arası en ucuz uçak bileti alabileceğiniz ayı ve hatta günü bulabilirsiniz fiyat uyarısı oluşturun

vindicta tras tu rastro ii saga bianchessi n 3 2022 - Sep 21 2022

web 4 vindicta tras tu rastro ii saga bianchessi n 3 2023 06 13 the phenomenal new york times bestseller that explores the upstairs downstairs goings on of a posh parisian apartment building publishers weekly in an elegant hôtel particulier in paris renée the concierge is all but invisible short plump middle aged with bunions on

vindicta tras tu rastro ii saga bianchessi - May 30 2023

web vindicta tras tu rastro ii saga bianchessi anders aeryn amazon es libros

vindicta tras tu rastro ii saga bianchessi by - Jun 30 2023

web buy vindicta tras tu rastro ii saga bianchessi by online on amazon ae at best prices fast and free shipping free returns cash on delivery available on eligible purchase

vindicta tras tu rastro ii saga bianchessi n 3 copy ftp popcake - Aug 21 2022

web vindicta tras tu rastro ii saga bianchessi n 3 3 3 fundamental characteristics or the vulgar law and an exposition of the changes that took place in general legal thinking is provided the liberator bod books on demand herodotus called his work an enquiry and wrote before history was a separate discipline coming from halicarnassus at

güncel torrent tracker listesi 2022 nisan kıvrıcık yazılımcı - Jul 20 2022

web mar 29 2022 bu yazımız da siz değerli okuyucularımıza bu ayın en güncel tracker listesini paylaşacağız nisan ayı için

geçerli olan deluge tracker listesi bir çok kullanıcıya faydalı olacaktır sözü fazla uzatmadan teknoloji kategorisinde bulunan güncel torrent tracker listesi 2022 nisan yazımızın içeriğine geçelim

vindicta tras tu rastro ii saga bianchessi - Mar 28 2023

web buy vindicta tras tu rastro ii saga bianchessi by anders aeryn from amazon s fiction books store everyday low prices on a huge range of new releases and classic fiction

vindicta tras tu rastro ii saga bianchessi n° 2 - Apr 28 2023

web vindicta tras tu rastro ii saga bianchessi n° 2 ebook anders aeryn amazon es tienda kindle

vindicta tras tu rastro ii saga bianchessi n 3 - Oct 03 2023

web vindicta tras tu rastro ii saga bianchessi n 3 downloaded from 2013 thecontemporaryaustin org by guest finn sage ovid s heroides the time ship almost three centuries have passed since the oldest manuscript of the thousand and one nights arrived in europe since then the nights have occupied the minds of scholars

vindicta tras tu rastro ii saga bianchessi n 3 copy uniport edu - Feb 12 2022

web apr 8 2023 vindicta tras tu rastro ii saga bianchessi n 3 2 8 downloaded from uniport edu ng on april 8 2023 by guest stephen mccranie s space boy stephen mccranie 2019 03 12 coming closer to fully adapting to her new life on earth amy settles in to a solid group of friends at her school also after a meeting with the mysterious oliver she

vindicta tras tu rastro ii saga bianchessi band 2 amazon de - Dec 25 2022

web vindicta tras tu rastro ii saga bianchessi band 2 anders aeryn isbn 9781792960031 kostenloser versand für alle bücher mit versand und verkauf duch amazon

vindicta tras tu rastro ii saga bianchessi n 3 pdf - Sep 02 2023

web vindicta tras tu rastro ii saga bianchessi n 3 3 3 arrestarla está desesperada y deshecha y resulta incapaz de esconderse con efectividad del energúmeno que con evidencias manipuladas la ha entrampado en imputaciones de asesinato y además amenaza a sus seres queridos el libertino estilo de vida de noah mclean como don

descargar vindicta tras tu rastro ii saga bianchessi n° 3 - Jan 26 2023

web mar 28 2020 pdf gratis vindicta tras tu rastro ii saga bianchessi n descargue o lea el libro vindicta tras tu rastro ii saga bianchessi n 3 aeryn ars en formato pdf y epub aqu pusscargar cualquier libro en formato pdf o epub gratis use el botn disponible en esta pgina parascargar o leer libros en lnea