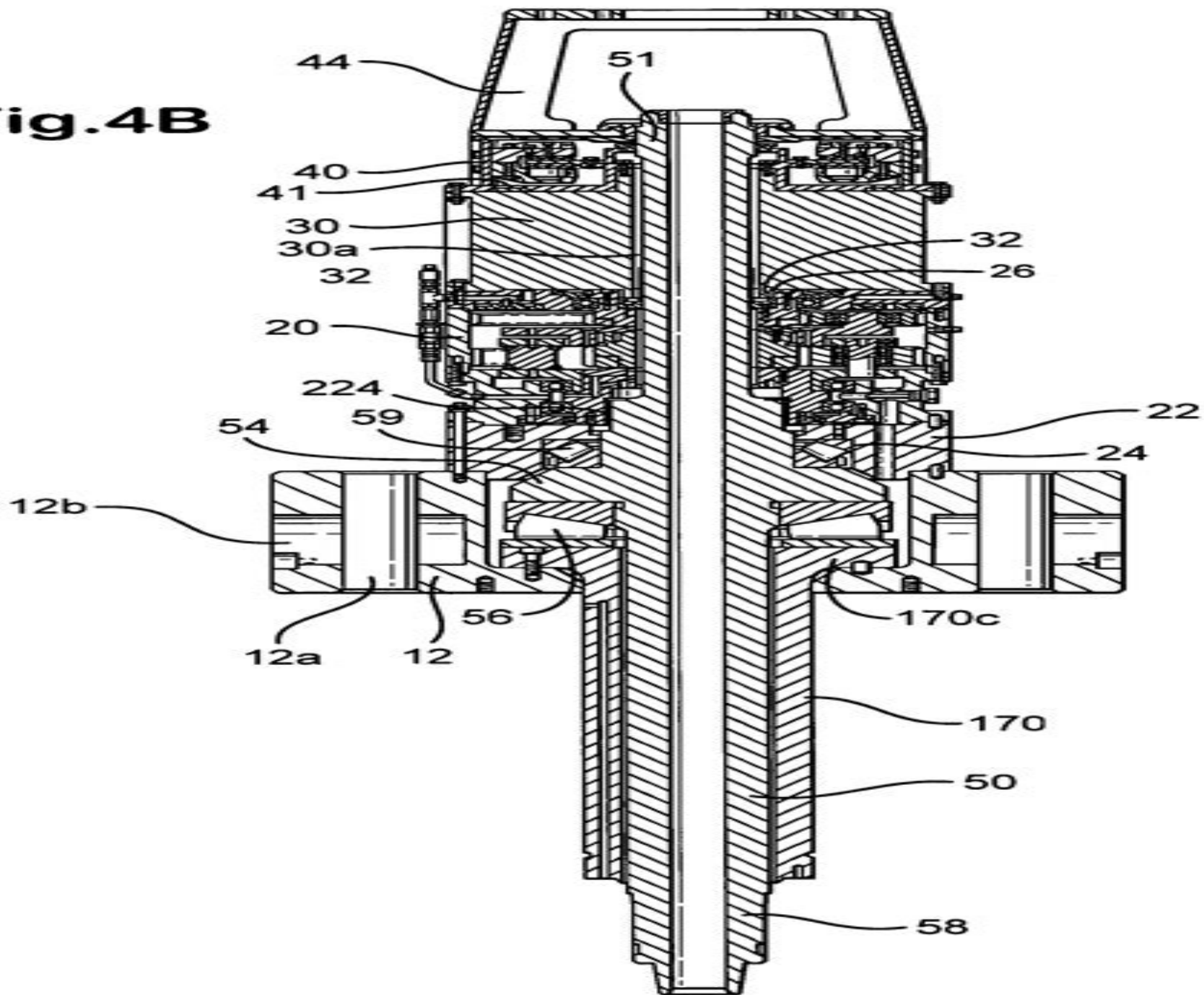


Fig.4B



Varco Tds Manual 10sa

Marcel A. Müller



Varco Tds Manual 10sa:

The Captivating Realm of Kindle Books: A Detailed Guide Unveiling the Pros of E-book Books: A Realm of Convenience and Flexibility Kindle books, with their inherent portability and simplicity of availability, have freed readers from the limitations of physical books. Gone are the days of carrying bulky novels or meticulously searching for particular titles in shops. Kindle devices, stylish and lightweight, seamlessly store an wide library of books, allowing readers to indulge in their preferred reads anytime, everywhere. Whether commuting on a busy train, lounging on a sunny beach, or just cozying up in bed, E-book books provide an exceptional level of ease. A Literary Universe Unfolded: Discovering the Vast Array of Kindle Varco Tds Manual 10sa Varco Tds Manual 10sa The Kindle Shop, a digital treasure trove of bookish gems, boasts an extensive collection of books spanning varied genres, catering to every readers taste and choice. From gripping fiction and thought-provoking non-fiction to classic classics and modern bestsellers, the Kindle Store offers an exceptional abundance of titles to explore. Whether seeking escape through engrossing tales of imagination and adventure, delving into the depths of historical narratives, or expanding ones knowledge with insightful works of science and philosophy, the E-book Store provides a gateway to a literary universe brimming with limitless possibilities. A Transformative Factor in the Bookish Scene: The Persistent Influence of E-book Books Varco Tds Manual 10sa The advent of E-book books has certainly reshaped the literary scene, introducing a model shift in the way books are released, disseminated, and consumed. Traditional publication houses have embraced the digital revolution, adapting their strategies to accommodate the growing demand for e-books. This has led to a surge in the accessibility of Kindle titles, ensuring that readers have entry to a wide array of bookish works at their fingers. Moreover, Kindle books have democratized access to literature, breaking down geographical barriers and offering readers worldwide with equal opportunities to engage with the written word. Regardless of their location or socioeconomic background, individuals can now immerse themselves in the captivating world of literature, fostering a global community of readers. Conclusion: Embracing the Kindle Experience Varco Tds Manual 10sa E-book books Varco Tds Manual 10sa, with their inherent ease, versatility, and wide array of titles, have undoubtedly transformed the way we experience literature. They offer readers the freedom to discover the boundless realm of written expression, whenever, everywhere. As we continue to travel the ever-evolving digital landscape, Kindle books stand as testament to the enduring power of storytelling, ensuring that the joy of reading remains accessible to all.

http://www.frostbox.com/public/detail/Download_PDFS/Wheres_Waldo_English_Edition.pdf

Table of Contents Varco Tds Manual 10sa

1. Understanding the eBook Varco Tds Manual 10sa
 - The Rise of Digital Reading Varco Tds Manual 10sa
 - Advantages of eBooks Over Traditional Books
2. Identifying Varco Tds Manual 10sa
 - Exploring Different Genres
 - Considering Fiction vs. Non-Fiction
 - Determining Your Reading Goals
3. Choosing the Right eBook Platform
 - Popular eBook Platforms
 - Features to Look for in an Varco Tds Manual 10sa
 - User-Friendly Interface
4. Exploring eBook Recommendations from Varco Tds Manual 10sa
 - Personalized Recommendations
 - Varco Tds Manual 10sa User Reviews and Ratings
 - Varco Tds Manual 10sa and Bestseller Lists
5. Accessing Varco Tds Manual 10sa Free and Paid eBooks
 - Varco Tds Manual 10sa Public Domain eBooks
 - Varco Tds Manual 10sa eBook Subscription Services
 - Varco Tds Manual 10sa Budget-Friendly Options
6. Navigating Varco Tds Manual 10sa eBook Formats
 - ePub, PDF, MOBI, and More
 - Varco Tds Manual 10sa Compatibility with Devices
 - Varco Tds Manual 10sa Enhanced eBook Features
7. Enhancing Your Reading Experience
 - Adjustable Fonts and Text Sizes of Varco Tds Manual 10sa
 - Highlighting and Note-Taking Varco Tds Manual 10sa
 - Interactive Elements Varco Tds Manual 10sa
8. Staying Engaged with Varco Tds Manual 10sa

- Joining Online Reading Communities
 - Participating in Virtual Book Clubs
 - Following Authors and Publishers Varco Tds Manual 10sa
9. Balancing eBooks and Physical Books Varco Tds Manual 10sa
- Benefits of a Digital Library
 - Creating a Diverse Reading Collection Varco Tds Manual 10sa
10. Overcoming Reading Challenges
- Dealing with Digital Eye Strain
 - Minimizing Distractions
 - Managing Screen Time
11. Cultivating a Reading Routine Varco Tds Manual 10sa
- Setting Reading Goals Varco Tds Manual 10sa
 - Carving Out Dedicated Reading Time
12. Sourcing Reliable Information of Varco Tds Manual 10sa
- Fact-Checking eBook Content of Varco Tds Manual 10sa
 - Distinguishing Credible Sources
13. Promoting Lifelong Learning
- Utilizing eBooks for Skill Development
 - Exploring Educational eBooks
14. Embracing eBook Trends
- Integration of Multimedia Elements
 - Interactive and Gamified eBooks

Varco Tds Manual 10sa Introduction

Varco Tds Manual 10sa Offers over 60,000 free eBooks, including many classics that are in the public domain. Open Library: Provides access to over 1 million free eBooks, including classic literature and contemporary works. Varco Tds Manual 10sa Offers a vast collection of books, some of which are available for free as PDF downloads, particularly older books in the public domain. Varco Tds Manual 10sa : This website hosts a vast collection of scientific articles, books, and textbooks. While it operates in a legal gray area due to copyright issues, its a popular resource for finding various publications. Internet Archive for Varco Tds Manual 10sa : Has an extensive collection of digital content, including books, articles, videos, and

more. It has a massive library of free downloadable books. Free-eBooks Varco Tds Manual 10sa Offers a diverse range of free eBooks across various genres. Varco Tds Manual 10sa Focuses mainly on educational books, textbooks, and business books. It offers free PDF downloads for educational purposes. Varco Tds Manual 10sa Provides a large selection of free eBooks in different genres, which are available for download in various formats, including PDF. Finding specific Varco Tds Manual 10sa, especially related to Varco Tds Manual 10sa, might be challenging as theyre often artistic creations rather than practical blueprints. However, you can explore the following steps to search for or create your own Online Searches: Look for websites, forums, or blogs dedicated to Varco Tds Manual 10sa, Sometimes enthusiasts share their designs or concepts in PDF format. Books and Magazines Some Varco Tds Manual 10sa books or magazines might include. Look for these in online stores or libraries. Remember that while Varco Tds Manual 10sa, sharing copyrighted material without permission is not legal. Always ensure youre either creating your own or obtaining them from legitimate sources that allow sharing and downloading. Library Check if your local library offers eBook lending services. Many libraries have digital catalogs where you can borrow Varco Tds Manual 10sa eBooks for free, including popular titles. Online Retailers: Websites like Amazon, Google Books, or Apple Books often sell eBooks. Sometimes, authors or publishers offer promotions or free periods for certain books. Authors Website Occasionally, authors provide excerpts or short stories for free on their websites. While this might not be the Varco Tds Manual 10sa full book , it can give you a taste of the authors writing style. Subscription Services Platforms like Kindle Unlimited or Scribd offer subscription-based access to a wide range of Varco Tds Manual 10sa eBooks, including some popular titles.

FAQs About Varco Tds Manual 10sa Books

How do I know which eBook platform is the best for me? Finding the best eBook platform depends on your reading preferences and device compatibility. Research different platforms, read user reviews, and explore their features before making a choice. Are free eBooks of good quality? Yes, many reputable platforms offer high-quality free eBooks, including classics and public domain works. However, make sure to verify the source to ensure the eBook credibility. Can I read eBooks without an eReader? Absolutely! Most eBook platforms offer web-based readers or mobile apps that allow you to read eBooks on your computer, tablet, or smartphone. How do I avoid digital eye strain while reading eBooks? To prevent digital eye strain, take regular breaks, adjust the font size and background color, and ensure proper lighting while reading eBooks. What the advantage of interactive eBooks? Interactive eBooks incorporate multimedia elements, quizzes, and activities, enhancing the reader engagement and providing a more immersive learning experience. Varco Tds Manual 10sa is one of the best book in our library for free trial. We provide copy of Varco Tds Manual 10sa in digital format, so the resources that you

find are reliable. There are also many Ebooks of related with Varco Tds Manual 10sa. Where to download Varco Tds Manual 10sa online for free? Are you looking for Varco Tds Manual 10sa PDF? This is definitely going to save you time and cash in something you should think about.

Find Varco Tds Manual 10sa :

wheres waldo english edition

white 1505 sewing machine manual

~~whirlpool gold refrigerator manual ice maker~~

which meliue change can be test 1mental health quizlet

who am i college essay examples

~~whirlpool microwave instruction manual~~

whirlpool water filters owners manual

~~where is healthcon nursing collage~~

whirlpool cabrio washer motor

white whipped frosting recipe

whirlpool cabrio washer user manual

whirlpool gas oven troubleshooting

~~whirlpool jacuzzi tub repair~~

whirlpool user manual washing machines

~~where can i find a able 737 manual~~

Varco Tds Manual 10sa :

9781561586561 tools rare and ingenious celebrating the world s - Mar 10 2023

web tools rare and ingenious celebrating the world s most amazing tools by nagyszalanczy sandor and a great selection of related books art and collectibles available now at abebooks com

tools rare and ingenious celebrating the world s most amazing tools - Jan 28 2022

web open education encompasses resources tools and practices that are free of legal financial and technical barriers and can be fully used shared and adapted in the digital environment open education maximizes the power of the internet to make education more affordable accessible and effective

tools rare and ingenious celebrating the world s most amazing tools - Apr 11 2023

web buy tools rare and ingenious celebrating the world s most amazing tools by sandor nagyszalanczy 2004 10 10 by sandor nagyszalanczy isbn from amazon s book store everyday low prices and free delivery on eligible orders

tools rare and ingenious celebrating the world s most amazing tools - Sep 04 2022

web may 7 2005 buy a used copy of tools rare and ingenious celebrating the world s most amazing tools book by sandor nagyszalanczy this new title expands on nagyszalanczy s acclaimed see preview image courtesy of openlibrary org tools rare and ingenious celebrating the world s most amazing tools by sandor

tools rare and ingenious celebrating the world s most amazing tools - Dec 07 2022

web amazon in buy tools rare and ingenious celebrating the world s most amazing tools book online at best prices in india on amazon in read tools rare and ingenious celebrating the world s most amazing tools book reviews author details and more at amazon in free delivery on qualified orders

tools rare and ingenious celebrating the world s most amazing tools - Aug 15 2023

web oct 1 2004 tools rare and ingenious celebrating the world s most amazing tools nagyszalanczy sandor on amazon com free shipping on qualifying offers tools rare and ingenious celebrating the world s most amazing tools

tools rare and ingenious on apple books - May 12 2023

web over the centuries craftsmen have transformed humble objects drills saws planes and levels into works of art this new title expands on sandor nagyszalanczy s acclaimed the art of fine tools by offering a world tour of objects that rarely leave the private vaults of collectors a visual feast of

tools rare and ingenious celebrating the world s most amazing tools - Jun 01 2022

web buy tools rare and ingenious celebrating the world s most amazing tools hardcover book by sandor nagyszalanczy from as low as 5 12 free shipping on all orders over 10 no coupon code needed

tools rare and ingenious celebrating the world s pdf 2023 - Apr 30 2022

web introduction tools rare and ingenious celebrating the world s pdf 2023 the art of fine tools sandor nagyszalanczy 2000 presents a collection of unique woodworking tools from around the world along with a

tools rare and ingenious celebrating the world s most amazing tools - Feb 09 2023

web aug 12 2023 find many great new used options and get the best deals for tools rare and ingenious celebrating the world s most amazing tools at the best online prices at ebay free shipping for many products

tools rare and ingenious celebrating the world s most - Jun 13 2023

web tools rare and ingenious celebrating the world s most amazing tools hardcover nagyszalanczy sandor 3 75 avg rating 12 ratings by goodreads hardcover isbn 10 1561586560 isbn 13 9781561586561 publisher taunton press 2004 this specific isbn

edition is currently not available view all copies of this isbn edition synopsis about this

tools rare and ingenious celebrating the world s edward - Feb 26 2022

web countries of the world henry howe 1870 tools rare and ingenious 2004 this new title expands on nagyszalanczy s acclaimed the art of fine tools by offering a visual feast of the finest and most beautifully crafted vintage tools ever made categories on the beauty of physics hilary thayer hamann 2005

tools rare and ingenious celebrating the world s most amazing tools - Aug 03 2022

web tools rare and ingenious celebrating the world s most amazing tools by sandor nagyszalanczy 2004 10 10 on amazon com free shipping on qualifying offers tools rare and ingenious celebrating the world s most amazing tools by sandor nagyszalanczy 2004 10 10

tools rare and ingenious celebrating the world s most amazing tools - Oct 05 2022

web tools rare and ingenious celebrating the world s most amazing tools nagyszalanczy sandor nagyszalanczy sandor isbn 9781561586561 kostenloser versand für alle bücher mit versand und verkauf duch amazon

tools rare and ingenious celebrating the world s most amazing tools - Jul 14 2023

web this new title expands on sandor nagyszalanczy s acclaimed the art of fine tools by offering a world tour of objects that rarely leave the private vaults of collectors a visual feast of the

tools rare and ingenious celebrating the world s most amazing tools - Dec 27 2021

web tools rare and ingenious celebrating the world s most amazing tools sandor nagyszalanczy 2022 registration 1 of 5 stars2 of 5 stars3 of 5 stars4 of 5 stars5 of 5 stars 1 of 5 stars2 of 5 stars3 of 5 stars4 of 5 stars5 of 5 stars the lost sisters the folk of the air 1 5 by holly black

tools rare and ingenious celebrating the world s most amazing tools - Mar 30 2022

web jul 5 2022 tools rare and ingenious celebrating the world s most amazing tools sandor nagyszalanczy search for books you want to read free by choosing a title in this long list you can find works in different literary forms not just in english but in many other languages of the world composed by a diverse and interesting array of authors

tools rare and ingenious celebrating the world s most - Jan 08 2023

web abebooks com tools rare and ingenious celebrating the world s most amazing tools g g used 210pp ex library copy with usual stamps and marks no evidence of a card pocket otherwise interior is clean binding tight slight shelf rubbing to dj no chips or tears dj is taped to the book at 4 places

tools rare and ingenious celebrating the world s most alibris - Jul 02 2022

web buy tools rare and ingenious celebrating the world s most amazing tools by sandor nagyszalanczy online at alibris we have new and used copies available in 1 editions starting at 6 48 shop now

[tools rare and ingenious celebrating the world s most amazing tools](#) - Nov 06 2022

web buy a cheap copy of tools rare and ingenious celebrating book by sandor nagyszalanczy over the centuries craftsmen have transformed humble objects drills saws planes and levels into works of art this new title expands on sandor nagyszalanczy s free shipping on all orders over 15

[nick bland scholastic canada](#) - Oct 28 2022

web book activities elementary teacher primary school teddy bear day teddy bear theme *twinkle* by nick bland softcover brand new ebay the very cranky bear

47 author study nick bland ideas author studies bland the - Jul 25 2022

web feb 1 2012 *booktopia* has *twinkle twinkle* by nicholas bland buy a discounted paperback of *twinkle* online from australia s leading online bookstore

[24 top nick bland teaching resources curated for you twinkl](#) - Oct 08 2023

web 220 top nick bland teaching resources curated for you instant access to inspirational lesson plans schemes of work assessment interactive activities resource packs

[24 top twinkle nick bland teaching resources curated for you](#) - Nov 28 2022

web may 29 2017 penny pasketti stared into space and pretended the stars were her friends she imagined that every *twinkle* was a smile or a secret or some such wonderful thing

twinkle by nick bland scholastic australia kids domain - Mar 01 2023

web instant access to inspirational lesson plans schemes of work assessment interactive activities resource packs powerpoints teaching ideas at twinkl

twinkle by nick bland talara primary college - Aug 06 2023

web *twinkle* by nick bland one of the best ways to encourage a love for reading is to read to your child reading gives you the opportunity for close bonding with your child to

twinkle by nick bland goodreads - May 03 2023

web 32 pages ages 3 to 8 penny pasketti is determined to help her new friend little star make it back home to the sky penny pasketti stared into space and pretended the stars were

53 nick bland classroom activities ideas pinterest - Jan 31 2023

web nick bland was born on a farm in the australian yarra valley in 1973 the son of an artist and a primary school teacher he spent his early childhood climbing haystacks and

twinkle twinkle by nicholas bland 9781741696431 booktopia - Apr 21 2022

web suggested by becky e twinkl the very cranky bear written by nick bland is about four friends who encounter a very crank

bear and try to cheer him up this heart warming

20 top the very itchy bear by nick bland activities teaching - Sep 26 2022

web details penny is a lonely little girl who gazes out her window at night and pretends that the stars are her friends then one night a shooting star lands in her garden together they

twinkle nick bland 9781741696431 five senses education - Jun 23 2022

web may 29 2017 nick bland s luminous artwork brings this charming story to life with an ending that all is right in the world it s a perfect bedtime story to get little ones and stars

worksheets for twinkle by nick bland literacy - Jul 05 2023

web suggested by becky e twinkl the very hungry bear by nick bland is a great eyfs or ks1 book for your bear topic this beautiful rhyming story details the meeting of a brown

22 top nick bland teaching resources curated for you twinkl - Sep 07 2023

web 22 top nick bland teaching resources curated for you bear caves counting game 5 0 7 reviews cave small world background 5 0 1 review whale puzzles to support

twinkle bland nick bland nick 9781443100984 amazon com - Aug 26 2022

web apr 12 2023 read aloud children s picture book twinkle written by nick bland read aloud children s picture book *twinklenickblandactivities* - Dec 18 2021

the very cranky bear written by nick bland is a heart warming - Jan 19 2022

the very hungry bear by nick bland is a great eyfs or ks1 - Jun 04 2023

web jul 1 2010 little star lands in penny pasketti s backyard and in a twinkle the night is filled with fun eventually though it is time for little star to go home but how do you make a

twinkle by nick bland 9781741696431 qbd - Feb 17 2022

twinkle scholastic canada - Apr 02 2023

web aug 15 2023 twinkle by nick bland the combined story illustrations and layout encourage the reader to explore predict and use their imagination

twinkle bland nick bland nick amazon ca books - Mar 21 2022

web rhyming text that made nick bland s first two bear books instant favourites told with his characteristic humour and wit the very hungry bear is both an endearing tale of

twinkle nick bland daily read aloud youtube - May 23 2022

web 19 99 7 99 60 off add to cart penny is a lonely little girl who gazes out her window at night and pretends that the stars are her friends then one night a shooting star lands in

nick bland books and activities pinterest - Dec 30 2022

web explore more than 20 the very itchy bear by nick bland activities resources for teachers parents and pupils as well as related resources on the very itchy bear

five mother sauces of classical cuisine the spruce eats - Feb 14 2022

web aug 21 2023 but it s also the base for some of the most common white sauces cream sauces and cheese based sauces here are some of the small sauces made from béchamel cream sauce mornay sauce soubise sauce nantua sauce cheddar cheese sauce mustard cheese sauce cheesy sauce

sauce recipes 50 tasty choices mama s legacy series band 7 - Sep 23 2022

web sauce recipes 50 tasty choices mama s legacy series book 20 easy vegan pasta recipes delish knowledge mama s italian restaurant englewood menu prices red chile sauce chile colorado recipe epicurious world s

sauce recipes 50 tasty choices 7 mama s legacy series - Mar 30 2023

web buy sauce recipes 50 tasty choices 7 mama s legacy series 3 by wilson nancy n isbn 9781482530735 from amazon s book store everyday low prices and free delivery on eligible orders

sauce recipes 50 tasty choices mama s legacy series - Jan 28 2023

web sell buy or rent sauce recipes 50 tasty choices mama s legacy series 9781482530735 1482530732 we buy used or new for best buyback price with free shipping and offer great deals for buyers sell sauce recipes 50 tasty choices mama s legacy series 1482530732 at booksrun

sauce recipes 50 tasty choices mama s legacy series - May 20 2022

web welcome to open library sauce recipes 50 tasty choices mama s legacy series volume 7 nancy n wilson

sauce recipes 50 tasty choices mama s legacy 7 slideshare - Oct 25 2022

web be the first to like this show more 12 views 12 views

sauce recipes 50 tasty choices mama s legacy series - Nov 25 2022

web sauce recipes 50 tasty choices mama s legacy series volume 7 by arnold 8 44 pm choices legacy mama s recipe hollandaise sauce recipes

amazon com customer reviews sauce recipes 50 tasty choices mama - Feb 26 2023

web find helpful customer reviews and review ratings for sauce recipes 50 tasty choices mama s legacy series at amazon com read honest and unbiased product reviews from our users

sauce recipes 50 tasty choices by nancy n wilson alibris - Dec 27 2022

web add to cart add this copy of sauce recipes 50 tasty choices mama s legacy series to cart 37 02 good condition sold by tustin rated 4 0 out of 5 stars ships from newport coast ca united states published 2013 by createspace independent publis

sauce recipes 50 tasty choices mama s legacy series book 7 - Sep 04 2023

web jul 17 2012 sauce recipes 50 tasty choices mama s legacy series just like my own grandma made including using evaporated milk not suggested but can be made from frying bacon to add a touch to biscuits and bacon

27 best sauce recipes food network - Jul 22 2022

web apr 15 2022 from salty condiments to sweet sundae toppings you ll savor every spoonful of these delicious sauces making them from scratch is a breeze you just need these recipes from food network

7 mother sauces you need to master right now taste of home - Apr 18 2022

web may 31 2018 one of the first lessons in culinary school is about the importance of the five mother sauces originated by chef marie antoine carême these sauces are not only the building blocks of classic french cuisine but they ll give you the foundations to becoming an incredible cook too

sauce recipes 50 tasty choices mama s legacy seri pdf - Aug 23 2022

web sauce recipes 50 tasty choices mama s legacy seri pdf upload herison n williamson 3 21 downloaded from live hubitat com on october 22 2023 by herison n williamson follow the author page 102 cooking class deanna f cook 2015 03 18 the kids are taking over the kitchen deanna f cook presents more than 50 recipes designed for the cooking

sauce recipes 50 tasty choices mama s legacy series book - Jun 01 2023

web sauce recipes 50 tasty choices mama s legacy series book 7 ebook wilson nancy n amazon com au kindle store

sauce recipes 50 tasty choices mama s legacy series - Aug 03 2023

web feb 11 2013 sauce recipes 50 tasty choices mama s legacy series wilson nancy n on amazon com free shipping on qualifying offers sauce recipes 50 tasty choices mama s legacy series

sauce recipes 50 tasty choices 7 amazon singapore - Apr 30 2023

web hello sign in account lists returns orders cart

sauce recipes 50 tasty choices healthy living - Oct 05 2023

web this is a special collection of recipes to accompany the other six volumes in the series they are grouped in categories for easy reference sauces for grilling and roasting meat sweet dessert sauces essential classic sauces specialty sauces that do not fit into the other categories sauces for meats and vegetables

sauce recipes 50 tasty choices mama s legacy series band 7 - Jul 02 2023

web sauce recipes 50 tasty choices mama s legacy series band 7 by nancy n wilson mama s legacy series book come get your

fudge 40 tasty and creative fudge recipes 15 recipes to make before you die myrecipes how i make some of my most viral tasty

13 best sauce recipes 13 top sauce recipes ndtv food - Jun 20 2022

web jul 26 2022 sauce recipes find here list of 13 best sauce recipes vegetarian non vegetarian like white sauce bolognese sauce tahini sauce tomato and basil sauce many more with key ingredients and how to make process sauce recipes you can try at home to accompany innumerable dishes

12 classic sauces and how to make them fine dining lovers - Mar 18 2022

web sep 27 2016 emulsified sauce hollandaise is one of the legendary chef auguste escoffier s five mother sauce recipes in his great cookbook which is the bible of classic french cookery 3 parsley sauce a simple and flavourful sauce 4 tomato 5 bearnaise 6 bread sauce 7 chimichurri sauce 8 bbq 9 horseradish horseradish 10 espagnole