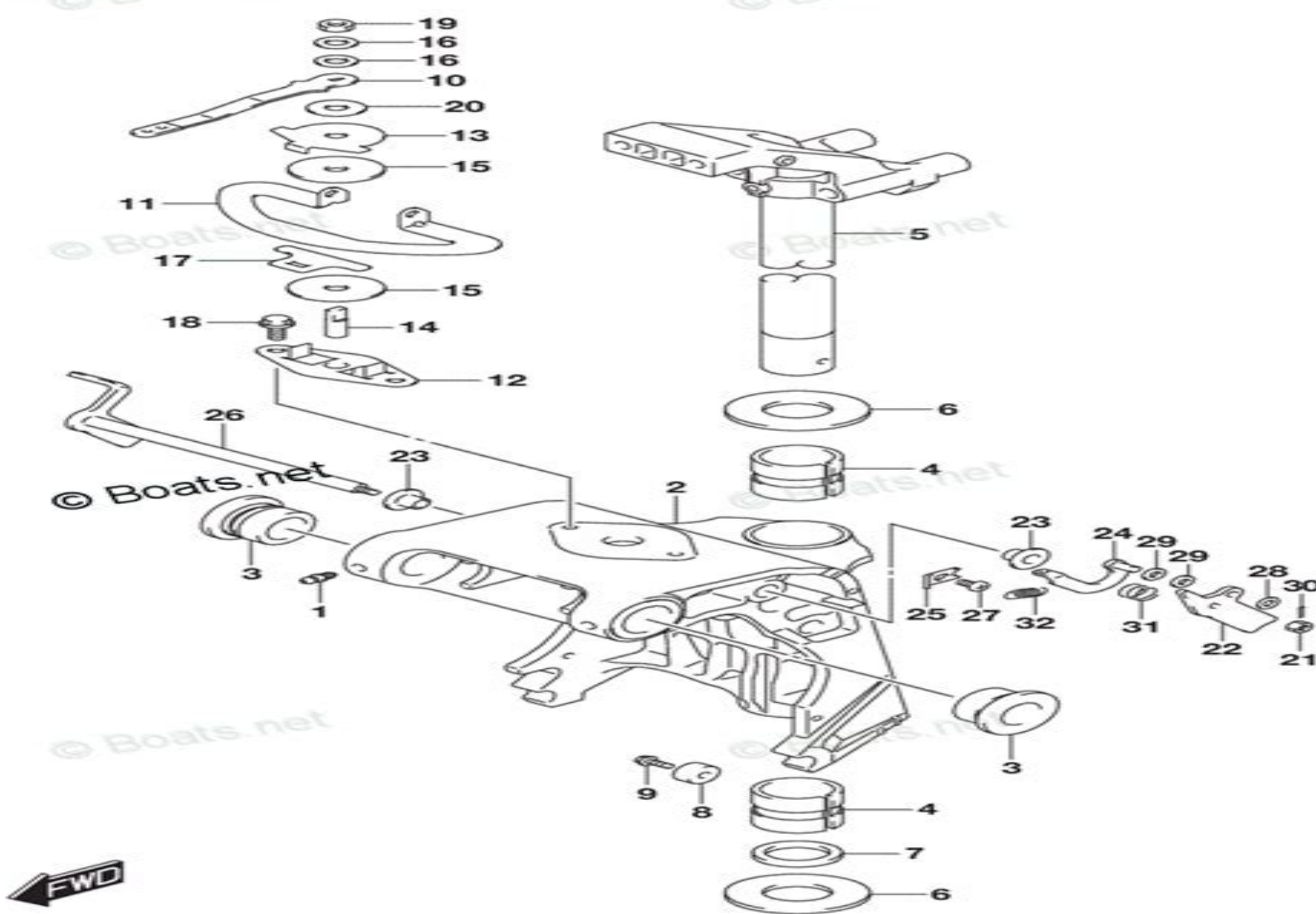


**FIG.336E**

© Boats.net



# Suzuki Df70t Repair Manual

**Matthew Coombs**



## **Suzuki Df70t Repair Manual:**

**Suzuki Outboard Repair and Maintenance Manual** Pasquale De Marco,2025-04-24 Suzuki outboards are renowned for their reliability performance and durability This comprehensive manual provides the knowledge and skills needed to keep your Suzuki outboard in top condition from routine maintenance and troubleshooting to advanced repairs and modifications With detailed instructions step by step procedures and helpful illustrations this manual covers all aspects of Suzuki outboard care and maintenance including Routine maintenance and care such as changing oil and spark plugs cleaning the fuel system and lubricating moving parts Troubleshooting and diagnostics including identifying common problems using diagnostic tools and interpreting error codes Engine overhaul and repair including disassembling the engine inspecting and replacing components and reassembling the engine Lower unit service and repair including removing and inspecting the lower unit replacing seals and bearings and troubleshooting propeller issues Electrical system maintenance and repair including testing batteries tracing wiring diagrams and repairing electrical components Fuel system maintenance and repair including cleaning fuel lines and filters troubleshooting and repairing fuel injectors and adjusting the fuel mixture Cooling system maintenance and repair including flushing and refilling the cooling system troubleshooting and repairing water pumps and inspecting and replacing thermostats Winterization and storage including preparing your outboard for winter storage draining and preserving the fuel system fogging the engine and cylinders and protecting exterior components Performance tuning and modifications including understanding engine performance factors modifying the air intake system upgrading the exhaust system adjusting the ignition timing and selecting the right propeller Whether you re a DIY enthusiast or a professional mechanic this manual is an essential resource for anyone who wants to keep their Suzuki outboard running smoothly and reliably With clear and easy to understand language this manual provides the knowledge and skills needed to maintain and repair your Suzuki outboard ensuring years of trouble free operation If you like this book write a review on google books

**Suzuki** Suzuki, Motor Co. Ltd,1977 **Suzuki Outboard Motor** ,1987 Suzuki Samurai/Sidekick & Geo Tracker Automotive Repair Manual Bob Henderson,John Harold Haynes,1995 Haynes disassembles every subject vehicle and documents every step with through instructions and clear photos Haynes repair manuals are used by the pros but written for the do it yourselfer

**Suzuki U70 Service Manual** Suzuki Jidōsha Kōgyō Kabushiki Kaisha,1967 *Suzuki GS500E Twin* Matthew Coombs,1997 Contains some history of Suzuki and this models development as well as a complete step by step guide to servicing and overhaul

**Suzuki SJ & Vitara 1982 to 1997 (up to P Registration) 4-cyl Petrol** Bob Henderson,A. K. Legg,1994-05-01 SJ410 SJ413 Vitara inc Santana Samurai special limited editions Petrol 1 0 litre 970cc 1 3 litre 1298 1324cc 1 6 litre 1590cc 4 cyl Does NOT cover V6 engines

**Suzuki Volusia & Boulevard C50 from 2001-2017 Clymer Repair Manual** Clymer Publications,2018-05-01 Complete coverage for your Suzuki Volusia Boulevard C50 manufactured from 2001 2017 Routine maintenance and servicing Tune up procedures Engine clutch and transmission

repair Cooling system Fuel and exhaust Ignition and electrical systems Brakes wheels and tires Steering suspension and final drive Frame and bodywork Wiring diagrams Reference Section With a Clymer manual you can do it yourself from simple maintenance to basic repairs Clymer writes every book based on a complete teardown of the motorcycle We learn the best ways to do a job and that makes it quicker easier and cheaper for you Our books have clear instructions and hundreds of photographs that show each step Whether you re a beginner or a pro you can save big with Clymer Step by step procedures Easy to follow photos Complete troubleshooting section Valuable short cuts Model history and pre ride checks in color Color spark plug diagnosis and wiring diagrams Tools and workshop tips section in color The specific models covered by this manual are Suzuki Volusia 2001 2004 Suzuki Boulevard C50 2005 2017 **Suzuki GSX-R and Katana GSX-F** John Haynes,1998-01-01 HY SUZ GSX R750 85 96 **Suzuki SV650 and SV650S** Matthew Coombs,2002 This repair manual covers Suzuki SV650 and SV650S 1999 to 2005 *Suzuki GSF600 & 1200 Bandit Fours Service & Repair Manual* Matthew Coombs,Phil Mather,2001 Inside this manual the reader will learn to do routine maintenance tune up procedures engine repair fuel and exhaust ignition brakes suspension and steering electrical systems and more Suzuki Service Manual, Model TS250R. Suzuki Jidōsha Kōgyō Kabushiki Kaisha. Export Service Section,1971 *Suzuki Service Manual, Model TS 185* Suzuki Jidōsha Kōgyō Kabushiki Kaisha. Export Service Section,1971 Suzuki DF200E Owner's Service Manual Suzuki Jidōsha Kōgyō Kabushiki Kaisha,1995 **Suzuki Service Manual** Suzuki Jidosha Kogyo Kabusjiki Kaisha. International Service Department,197? *Suzuki Volusia/Boulevard C50 (2001-2019) Clymer Repair Manual* Clymer Publications,2020-02-25 Complete coverage for your 2001 20019 Suzuki Volusia Boulevard C50 Routine maintenance and servicing Tune up procedures Engine clutch and transmission repair Cooling system Fuel and exhaust Ignition and electrical systems Brakes wheels and tires Steering suspension and final drive Frame and bodywork Wiring diagrams Reference Section With a Clymer manual you can do it yourself from simple maintenance to basic repairs Clymer writes every book based on a complete teardown of the motorcycle We learn the best ways to do a job and that makes it quicker easier and cheaper for you Our books have clear instructions and hundreds of photographs that show each step Whether you re a beginner or a pro you can save big with Clymer Step by step procedures Easy to follow photos Complete troubleshooting section Valuable short cuts Model history and pre ride checks in color Color spark plug diagnosis and wiring diagrams Tools and workshop tips section in color *Suzuki LT-F250 Service Manual* Suzuki Jidōsha Kōgyō Kabushiki Kaisha. Motorcycle Technical Service Department,1992 **Suzuki GT, ZR & TS50** Jeremy Churchill,1984 **Suzuki GSX-R600 and 750 Service and Repair Manual** Matthew Coombs,2009 GSX R600K6 599cc 2006 GSX R600K7 599cc 2007 GSX R600K8 599cc 2008 GSX R600K9 599cc 2009 GSX R750K6 750cc 2006 GSX R750K7 750cc 2007 GSX R750K8 750cc 2008 GSX R750K9 750cc 2009 Suzuki Gsf600 and 1200 Bandit Fours Matthew Coombs,Phil Mather,2002-06-20 This is one in a series of manuals for car or motorcycle owners Each book provides information on routine maintenance and servicing with tasks

described and photographed in a step by step sequence so that even a novice can do the work

## **Suzuki Df70t Repair Manual** Book Review: Unveiling the Power of Words

In some sort of driven by information and connectivity, the power of words has be more evident than ever. They have the ability to inspire, provoke, and ignite change. Such is the essence of the book **Suzuki Df70t Repair Manual**, a literary masterpiece that delves deep in to the significance of words and their affect our lives. Compiled by a renowned author, this captivating work takes readers on a transformative journey, unraveling the secrets and potential behind every word. In this review, we shall explore the book is key themes, examine its writing style, and analyze its overall effect on readers.

[http://www.frostbox.com/book/Resources/fetch.php/singer\\_sewing\\_machine\\_manual\\_model\\_2662.pdf](http://www.frostbox.com/book/Resources/fetch.php/singer_sewing_machine_manual_model_2662.pdf)

### **Table of Contents Suzuki Df70t Repair Manual**

1. Understanding the eBook Suzuki Df70t Repair Manual
  - The Rise of Digital Reading Suzuki Df70t Repair Manual
  - Advantages of eBooks Over Traditional Books
2. Identifying Suzuki Df70t Repair Manual
  - Exploring Different Genres
  - Considering Fiction vs. Non-Fiction
  - Determining Your Reading Goals
3. Choosing the Right eBook Platform
  - Popular eBook Platforms
  - Features to Look for in an Suzuki Df70t Repair Manual
  - User-Friendly Interface
4. Exploring eBook Recommendations from Suzuki Df70t Repair Manual
  - Personalized Recommendations
  - Suzuki Df70t Repair Manual User Reviews and Ratings
  - Suzuki Df70t Repair Manual and Bestseller Lists
5. Accessing Suzuki Df70t Repair Manual Free and Paid eBooks

- Suzuki Df70t Repair Manual Public Domain eBooks
  - Suzuki Df70t Repair Manual eBook Subscription Services
  - Suzuki Df70t Repair Manual Budget-Friendly Options
6. Navigating Suzuki Df70t Repair Manual eBook Formats
- ePub, PDF, MOBI, and More
  - Suzuki Df70t Repair Manual Compatibility with Devices
  - Suzuki Df70t Repair Manual Enhanced eBook Features
7. Enhancing Your Reading Experience
- Adjustable Fonts and Text Sizes of Suzuki Df70t Repair Manual
  - Highlighting and Note-Taking Suzuki Df70t Repair Manual
  - Interactive Elements Suzuki Df70t Repair Manual
8. Staying Engaged with Suzuki Df70t Repair Manual
- Joining Online Reading Communities
  - Participating in Virtual Book Clubs
  - Following Authors and Publishers Suzuki Df70t Repair Manual
9. Balancing eBooks and Physical Books Suzuki Df70t Repair Manual
- Benefits of a Digital Library
  - Creating a Diverse Reading Collection Suzuki Df70t Repair Manual
10. Overcoming Reading Challenges
- Dealing with Digital Eye Strain
  - Minimizing Distractions
  - Managing Screen Time
11. Cultivating a Reading Routine Suzuki Df70t Repair Manual
- Setting Reading Goals Suzuki Df70t Repair Manual
  - Carving Out Dedicated Reading Time
12. Sourcing Reliable Information of Suzuki Df70t Repair Manual
- Fact-Checking eBook Content of Suzuki Df70t Repair Manual
  - Distinguishing Credible Sources
13. Promoting Lifelong Learning
- Utilizing eBooks for Skill Development

- Exploring Educational eBooks
14. Embracing eBook Trends
- Integration of Multimedia Elements
  - Interactive and Gamified eBooks

### **Suzuki Df70t Repair Manual Introduction**

In this digital age, the convenience of accessing information at our fingertips has become a necessity. Whether its research papers, eBooks, or user manuals, PDF files have become the preferred format for sharing and reading documents. However, the cost associated with purchasing PDF files can sometimes be a barrier for many individuals and organizations. Thankfully, there are numerous websites and platforms that allow users to download free PDF files legally. In this article, we will explore some of the best platforms to download free PDFs. One of the most popular platforms to download free PDF files is Project Gutenberg. This online library offers over 60,000 free eBooks that are in the public domain. From classic literature to historical documents, Project Gutenberg provides a wide range of PDF files that can be downloaded and enjoyed on various devices. The website is user-friendly and allows users to search for specific titles or browse through different categories. Another reliable platform for downloading Suzuki Df70t Repair Manual free PDF files is Open Library. With its vast collection of over 1 million eBooks, Open Library has something for every reader. The website offers a seamless experience by providing options to borrow or download PDF files. Users simply need to create a free account to access this treasure trove of knowledge. Open Library also allows users to contribute by uploading and sharing their own PDF files, making it a collaborative platform for book enthusiasts. For those interested in academic resources, there are websites dedicated to providing free PDFs of research papers and scientific articles. One such website is Academia.edu, which allows researchers and scholars to share their work with a global audience. Users can download PDF files of research papers, theses, and dissertations covering a wide range of subjects. Academia.edu also provides a platform for discussions and networking within the academic community. When it comes to downloading Suzuki Df70t Repair Manual free PDF files of magazines, brochures, and catalogs, Issuu is a popular choice. This digital publishing platform hosts a vast collection of publications from around the world. Users can search for specific titles or explore various categories and genres. Issuu offers a seamless reading experience with its user-friendly interface and allows users to download PDF files for offline reading. Apart from dedicated platforms, search engines also play a crucial role in finding free PDF files. Google, for instance, has an advanced search feature that allows users to filter results by file type. By specifying the file type as "PDF," users can find websites that offer free PDF downloads on a specific topic. While downloading Suzuki Df70t Repair Manual free PDF files is convenient, its important to note that copyright laws must be respected. Always ensure that the PDF files you download are legally available



for free. Many authors and publishers voluntarily provide free PDF versions of their work, but its essential to be cautious and verify the authenticity of the source before downloading Suzuki Df70t Repair Manual. In conclusion, the internet offers numerous platforms and websites that allow users to download free PDF files legally. Whether its classic literature, research papers, or magazines, there is something for everyone. The platforms mentioned in this article, such as Project Gutenberg, Open Library, Academia.edu, and Issuu, provide access to a vast collection of PDF files. However, users should always be cautious and verify the legality of the source before downloading Suzuki Df70t Repair Manual any PDF files. With these platforms, the world of PDF downloads is just a click away.

### **FAQs About Suzuki Df70t Repair Manual Books**

How do I know which eBook platform is the best for me? Finding the best eBook platform depends on your reading preferences and device compatibility. Research different platforms, read user reviews, and explore their features before making a choice. Are free eBooks of good quality? Yes, many reputable platforms offer high-quality free eBooks, including classics and public domain works. However, make sure to verify the source to ensure the eBook credibility. Can I read eBooks without an eReader? Absolutely! Most eBook platforms offer webbased readers or mobile apps that allow you to read eBooks on your computer, tablet, or smartphone. How do I avoid digital eye strain while reading eBooks? To prevent digital eye strain, take regular breaks, adjust the font size and background color, and ensure proper lighting while reading eBooks. What the advantage of interactive eBooks? Interactive eBooks incorporate multimedia elements, quizzes, and activities, enhancing the reader engagement and providing a more immersive learning experience. Suzuki Df70t Repair Manual is one of the best book in our library for free trial. We provide copy of Suzuki Df70t Repair Manual in digital format, so the resources that you find are reliable. There are also many Ebooks of related with Suzuki Df70t Repair Manual. Where to download Suzuki Df70t Repair Manual online for free? Are you looking for Suzuki Df70t Repair Manual PDF? This is definitely going to save you time and cash in something you should think about. If you trying to find then search around for online. Without a doubt there are numerous these available and many of them have the freedom. However without doubt you receive whatever you purchase. An alternate way to get ideas is always to check another Suzuki Df70t Repair Manual. This method for see exactly what may be included and adopt these ideas to your book. This site will almost certainly help you save time and effort, money and stress. If you are looking for free books then you really should consider finding to assist you try this. Several of Suzuki Df70t Repair Manual are for sale to free while some are payable. If you arent sure if the books you would like to download works with for usage along with your computer, it is possible to download free trials. The free guides make it easy for someone to free access online library for download books to your device. You can get free download on free

trial for lots of books categories. Our library is the biggest of these that have literally hundreds of thousands of different products categories represented. You will also see that there are specific sites catered to different product types or categories, brands or niches related with Suzuki Df70t Repair Manual. So depending on what exactly you are searching, you will be able to choose e books to suit your own need. Need to access completely for Campbell Biology Seventh Edition book? Access Ebook without any digging. And by having access to our ebook online or by storing it on your computer, you have convenient answers with Suzuki Df70t Repair Manual To get started finding Suzuki Df70t Repair Manual, you are right to find our website which has a comprehensive collection of books online. Our library is the biggest of these that have literally hundreds of thousands of different products represented. You will also see that there are specific sites catered to different categories or niches related with Suzuki Df70t Repair Manual So depending on what exactly you are searching, you will be able to choose ebook to suit your own need. Thank you for reading Suzuki Df70t Repair Manual. Maybe you have knowledge that, people have search numerous times for their favorite readings like this Suzuki Df70t Repair Manual, but end up in harmful downloads. Rather than reading a good book with a cup of coffee in the afternoon, instead they juggled with some harmful bugs inside their laptop. Suzuki Df70t Repair Manual is available in our book collection an online access to it is set as public so you can download it instantly. Our digital library spans in multiple locations, allowing you to get the most less latency time to download any of our books like this one. Merely said, Suzuki Df70t Repair Manual is universally compatible with any devices to read.

### **Find Suzuki Df70t Repair Manual :**

~~[singer sewing machine manual model 2662](#)~~

~~[sissy gender swap sissy boy book english edition](#)~~

**[sizzlers cheese bread recipe](#)**

~~[sixth edition introductory chemistry answers](#)~~

**[singapore examinations and assessment board singapore](#)**

**[singer futura manual](#)**

~~[siswati paper 23](#)~~

~~[simplicity zero turn manual](#)~~

~~[skagen 582ssl watches owners manual](#)~~

~~[singer futura sewing machine manual](#)~~

**[singer model 6233 manual](#)**

**[simply redwork quilt stitch redwork embroidery designs mandy shaw](#)**

*skamper owners manual*

**singapore manual & mercantile workers union**

*six types of chemical reactions worksheet*

## **Suzuki Df70t Repair Manual :**

Restaurant Operations Manual Template Free Aug 5, 2023 — A restaurant operations manual template is a comprehensive guide that outlines the processes and procedures for every aspect of a restaurant. It ... Your Guide for Writing a Restaurant Operations Manual A restaurant operations manual lays out the vision of your restaurant. How do you want to treat your guests? How do you want to treat your people? What are your ... OPERATIONS MANUAL Franchisees please note: This operations manual contains numerous examples used by The Western Sizzlin Home Office for accountability in the day-to-day ... Restaurant operations manual: How to write one in 2022 Jan 12, 2022 — A restaurant operations manual is a comprehensive document that consists of the most important information and guidelines for running a ... Restaurant Operations Manual: Why You Need One and ... Apr 21, 2021 — An operations manual contains the processes and procedures for every single aspect of your restaurant. It may not be the most exciting book you' ... Operations Standards Manual [Restaurant case] March ... Mar 30, 2015 — This Manual contains vital information as it relates to the standards, procedures, processes, product, business methods and some key areas of ... How to Write a Restaurant Operations Manual While a restaurant SOP can cover a wide variety of topics, a restaurant operations manual is specific to the order of operations for that business. In other ... 6+ Restaurant Operations Plan Templates & Samples 6+ Restaurant Operations Plan Templates & Samples - PDF, Word · Restaurant Operational Plan Template · Food Truck Operational Plan Sample · Restaurant Business ... Restaurant Operation Manual | PDF RESTAURANT. OPERATION MANUAL. STANDARD OPERATING MANUAL. TABLE OF CONTENT. The Outlet 1 Skills & Knowledge 5. Introduction 1.1 Training 5.1 Restaurant Operations Manual Template Share them with your franchisees in clear, easy-to-follow detail with our operations manual template. Included a special Restaurant Opening Template for guiding ... Andrew Jackson vs. Henry Clay: Democracy and ... Jackson and Clay were the opposite poles of the axis of Antebellum politics. Each man carried an ideological dislike and often personal hatred of the other man. Andrew Jackson vs. Henry Clay: Democracy and ... Jackson and Clay were the opposite poles of the axis of Antebellum politics. Each man carried an ideological dislike and often personal hatred of the other man. 24e. Jackson vs. Clay and Calhoun Henry Clay was viewed by Jackson as politically untrustworthy, an opportunistic, ambitious and self-aggrandizing man. He believed that Clay would compromise ... Andrew Jackson vs. Henry Clay, 1st Edition This selection of letters, essays, and speeches demonstrates how the clashing perspectives of two individuals shaped and exemplified the major issues of ... Earle on Watson., 'Andrew Jackson vs. Henry Clay Harry L. Watson. Andrew Jackson vs.

Henry Clay: Democracy and Development in Antebellum America. Boston: St. Martin's Press, 1998. xv + 283 pp. Compare And Contrast Andrew Jackson Vs Henry Clay On the other hand, Henry Clay was a part of the Whig party, sometimes known as the Republican party. He believed in the growth of the economy and businesses. Andrew Jackson vs. Henry Clay: Democracy and The book opens with an overview of the Jacksonian era, outlining the period's social, economic, and political issues. This gives way to several chapters ... Andrew Jackson Vs. Henry Clay - Democracy This dual biography with documents is the first book to explore the political conflict between Andrew Jackson and Henry Clay - two explosive personalities ... Andrew Jackson vs. Henry Clay: Democracy and ... Andrew Jackson vs. Henry Clay presents a selection of letters, essays, and speeches in order to demonstrate how these two individuals' clashing. Why did Andrew Jackson hate Henry Clay? Nov 16, 2020 — Clay threw his electoral vote to John Quincy Adams despite the fact that Jackson had the greatest number of votes in the 4 way race. Adams was ... Neurosis and Human Growth: The Struggle Towards Self- ... In Neurosis and Human Growth, Dr. Horney discusses the neurotic process as a special form of the human development, the antithesis of healthy growth. She ... Neurosis and Human Growth This development and its consequences for the adult personality are what Horney calls neurosis. Horney devotes thirteen chapters to an analysis of the neurotic ... Neurosis and Human Growth | Karen Horney ... Human Growth, The Struggle Towards Self-Realization, Karen Horney, 9780393307757. ... In Neurosis and Human Growth, Dr. Horney discusses the neurotic process as a ... NEUROSES HUMAN GROWTH KAREN HORNEY, M.D.. NEUROSES. AND. HUMAN GROWTH. The Struggle Toward. Self-Realization. Neurosis and human growth; the struggle toward self- ... by K Horney · 1950 · Cited by 5872 — Horney, K. (1950). Neurosis and human growth; the struggle toward self-realization. W. W. Norton. Abstract. Presentation of Horney's theory of neurosis ... Neurosis And Human Growth: The Struggle Toward Self- ... Buy Neurosis And Human Growth: The Struggle Toward Self-Realization on Amazon.com ☐ FREE SHIPPING on qualified orders. Neurosis And Human Growth: THE STRUGGLE TOWARD ... In Neurosis and Human Growth, Dr. Horney discusses the neurotic process as a special form of the human development, the antithesis of healthy growth. Episode 148: Karen Horney: Neurosis And Human Growth May 20, 2022 — In a cyclical fashion, neurosis could be influenced by neuroses in the caretakers of a child. If a caretaker is consumed by their own inner ... Neurosis and Human Growth Neurosis and human growth: The struggle toward self-realization. New York: W. W. Norton. Bibliography. Horney, Karen. (1937). The neurotic personality of our ...