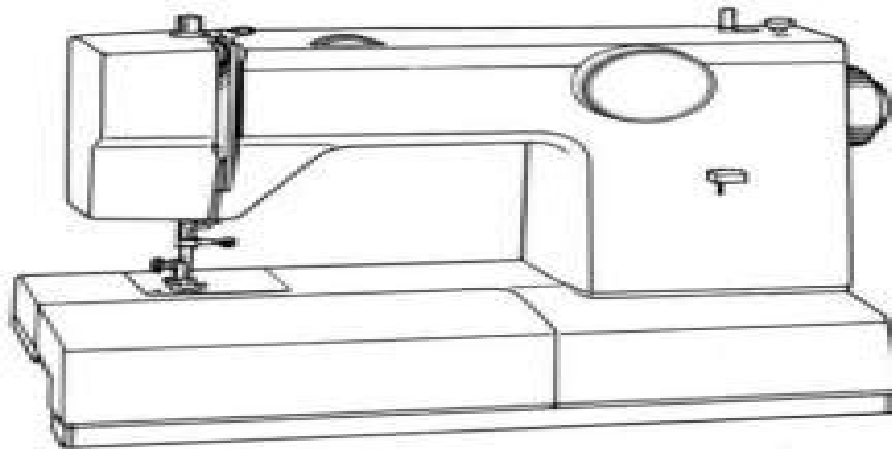




# **INSTRUCTION Book**



**MODEL**      **1505**  
                    **1510**

# White Sewing Machine 1510 Manual Thread Tension

**Singer Sewing Machine Company**



## **White Sewing Machine 1510 Manual Thread Tension:**

**Consumers Digest** ,1992      **Textile Technology Digest** ,1968      **Singer 4452 Heavy Duty Sewing Machine**

**Instruction Manual** Taylor J Monroe,2025-08-04 NOTE This book is a practical user guide created for educational purposes only It is independently authored and not sponsored endorsed or approved by Singer Sewing Company Whether you re a seasoned seamstress or a beginner just starting your sewing journey the Singer 4452 Heavy Duty Sewing Machine Instruction Manual is your ultimate guide to mastering one of the most reliable and robust sewing machines on the market This comprehensive guide is designed to help you get the most out of your Singer 4452 ensuring you have the knowledge and confidence to tackle any project no matter your skill level Why This Guide is Important Sewing with the Singer 4452 can be incredibly rewarding but it s only when you fully understand how to set up troubleshoot and optimize the machine that you can truly unlock its potential Many users struggle with basic setup making common mistakes that could easily be avoided with the right guidance This book eliminates confusion and empowers you to sew with confidence From setting up your machine to advanced techniques every chapter is packed with valuable information that ensures you get the results you re looking for The guide not only walks you through the setup process but also provides troubleshooting tips pro techniques and creative project ideas making it an invaluable resource for any sewing enthusiast What s Inside the Book Comprehensive Setup Instructions Step by step guidance on how to unbox assemble and thread your machine ensuring you re up and running in no time Pro Tips Expert advice to help you sew faster more accurately and with less frustration Learn how to handle heavy fabrics improve stitch quality and optimize your machine s settings for every project Troubleshooting Detailed solutions to the most common problems including skipped stitches thread tangles and tension issues Get your machine back on track with ease Advanced Techniques Take your sewing skills to the next level by mastering advanced techniques like quilting creating custom buttonholes and working with specialty fabrics like denim and leather Project Ideas Inspiration for your next project whether you re looking to make clothing home d cor or accessories Every technique you learn can be applied to real world projects bringing your creative ideas to life Clear Helpful Images Inside the book you ll find helpful images that illustrate the setup process maintenance steps and sewing techniques making it easy to follow along and execute tasks without confusion Who is This Guide For Beginners If you re new to sewing this guide breaks down the process into manageable steps from setting up your machine to mastering basic stitches It s written in a clear accessible way so you won t feel overwhelmed as you learn Intermediate Sewers For those with a bit of experience this book offers valuable tips to fine tune your technique speed up your sewing process and solve common issues that can disrupt your workflow Experienced Users Even seasoned seamstresses will find pro tips advanced sewing techniques and creative project ideas to help elevate their craft There s always something new to learn no matter how long you ve been sewing Perfect for sharing with friends family or anyone you know who owns or is considering the Singer 4452 Stock up now and make sewing easier more

enjoyable and even more rewarding for yourself and others Grab your copy now and start sewing with confidence

Student's Manual of Machine Sewing Singer Sewing Machine Company,1941 *Instructions for Using the White Sewing Machine* White Sewing Machine Company,1890 User's Manual, White Rotary Electric Sewing Machines ,19?? **How to Adjust & Repair Your Sewing Machine** ,1984 User's Manual, White Rotary Electric Sewing Machines White Sewing Machine Company,1946\* **Directions for Threading White Series 77 Rotary Sewing Machine** White Sewing Machine Corporation,1947 **Mechanic's Manual for Repair and Adjustment of Lockstitch Sewing Machines** K. W. Pollock,R. L. Banwart,1956 *Sewing Manual* White Sewing Machine Corporation,1947 **The Sewing Machine Manual** WENDY. GARDINER,2023-07-13 Directions for Using the White Sewing Machine and Its Attachments White Sewing Machine Company,18?? *Elementary Sewing Information and Instructions for Using the White Rotary Sewing Machine* White Sewing Machine Company,191? **Singer Student's Manual of Machine Sewing** ,1954 **Mechanics of the Sewing Machine** Singer Sewing Machine Company,1914 Concise Manual of Sewing A. V. White,2011-04-01 Many of the earliest books particularly those dating back to the 1900s and before are now extremely scarce and increasingly expensive We are republishing these classic works in affordable high quality modern editions using the original text and artwork **How to Use a Sewing Machine** Marie Clayton,2014-08-28 Sewing is the perfect hobby it is relaxing creative and extremely useful But sewing machines can seem complicated This book has everything you need to know to choose use and look after your sewing machine with confidence The first chapters will help you choose a machine explaining which features to look out for Once you ve got your machine home the step by step instructions will help you get to grips with everything Learn how to set up your machine and its basic functions including winding a bobbin threading up and adjusting tension and stitch size With plenty of information on basic dressmaking techniques you will soon be tackling seams and hems zips and buttonholes gathers and pleats binding and trimming Feeling creative Try out some decorative techniques with machine embroidery appliqu patchwork and quilting And if you get stuck there is an invaluable trouble shooting section along with a jargon busting glossary So whether you want to use your sewing machine to carry out simple repairs customize and alter your vintage finds create a whole new wardrobe from scratch or make a stylish curtains and cushions for your home be sure to have this manual by your side at all times White Sewing Machine, So Simple a Child Can Use it White Sewing Machine Company,1879\* **The Sewing Machine Manual** Wendy Gardiner,2022

Recognizing the quirk ways to acquire this ebook **White Sewing Machine 1510 Manual Thread Tension** is additionally useful. You have remained in right site to start getting this info. acquire the White Sewing Machine 1510 Manual Thread Tension link that we find the money for here and check out the link.

You could purchase guide White Sewing Machine 1510 Manual Thread Tension or get it as soon as feasible. You could speedily download this White Sewing Machine 1510 Manual Thread Tension after getting deal. So, taking into consideration you require the books swiftly, you can straight acquire it. Its as a result unconditionally simple and hence fats, isnt it? You have to favor to in this melody

<http://www.frostbox.com/data/Resources/index.jsp/Skill%20Intervention%20Chapter%204%20Holt%20Algebra%201%20Answers.pdf>

## **Table of Contents White Sewing Machine 1510 Manual Thread Tension**

1. Understanding the eBook White Sewing Machine 1510 Manual Thread Tension
  - The Rise of Digital Reading White Sewing Machine 1510 Manual Thread Tension
  - Advantages of eBooks Over Traditional Books
2. Identifying White Sewing Machine 1510 Manual Thread Tension
  - Exploring Different Genres
  - Considering Fiction vs. Non-Fiction
  - Determining Your Reading Goals
3. Choosing the Right eBook Platform
  - Popular eBook Platforms
  - Features to Look for in an White Sewing Machine 1510 Manual Thread Tension
  - User-Friendly Interface
4. Exploring eBook Recommendations from White Sewing Machine 1510 Manual Thread Tension
  - Personalized Recommendations
  - White Sewing Machine 1510 Manual Thread Tension User Reviews and Ratings

- White Sewing Machine 1510 Manual Thread Tension and Bestseller Lists
- 5. Accessing White Sewing Machine 1510 Manual Thread Tension Free and Paid eBooks
  - White Sewing Machine 1510 Manual Thread Tension Public Domain eBooks
  - White Sewing Machine 1510 Manual Thread Tension eBook Subscription Services
  - White Sewing Machine 1510 Manual Thread Tension Budget-Friendly Options
- 6. Navigating White Sewing Machine 1510 Manual Thread Tension eBook Formats
  - ePub, PDF, MOBI, and More
  - White Sewing Machine 1510 Manual Thread Tension Compatibility with Devices
  - White Sewing Machine 1510 Manual Thread Tension Enhanced eBook Features
- 7. Enhancing Your Reading Experience
  - Adjustable Fonts and Text Sizes of White Sewing Machine 1510 Manual Thread Tension
  - Highlighting and Note-Taking White Sewing Machine 1510 Manual Thread Tension
  - Interactive Elements White Sewing Machine 1510 Manual Thread Tension
- 8. Staying Engaged with White Sewing Machine 1510 Manual Thread Tension
  - Joining Online Reading Communities
  - Participating in Virtual Book Clubs
  - Following Authors and Publishers White Sewing Machine 1510 Manual Thread Tension
- 9. Balancing eBooks and Physical Books White Sewing Machine 1510 Manual Thread Tension
  - Benefits of a Digital Library
  - Creating a Diverse Reading Collection White Sewing Machine 1510 Manual Thread Tension
- 10. Overcoming Reading Challenges
  - Dealing with Digital Eye Strain
  - Minimizing Distractions
  - Managing Screen Time
- 11. Cultivating a Reading Routine White Sewing Machine 1510 Manual Thread Tension
  - Setting Reading Goals White Sewing Machine 1510 Manual Thread Tension
  - Carving Out Dedicated Reading Time
- 12. Sourcing Reliable Information of White Sewing Machine 1510 Manual Thread Tension
  - Fact-Checking eBook Content of White Sewing Machine 1510 Manual Thread Tension
  - Distinguishing Credible Sources

13. Promoting Lifelong Learning
  - Utilizing eBooks for Skill Development
  - Exploring Educational eBooks
14. Embracing eBook Trends
  - Integration of Multimedia Elements
  - Interactive and Gamified eBooks

### **White Sewing Machine 1510 Manual Thread Tension Introduction**

In this digital age, the convenience of accessing information at our fingertips has become a necessity. Whether its research papers, eBooks, or user manuals, PDF files have become the preferred format for sharing and reading documents. However, the cost associated with purchasing PDF files can sometimes be a barrier for many individuals and organizations. Thankfully, there are numerous websites and platforms that allow users to download free PDF files legally. In this article, we will explore some of the best platforms to download free PDFs. One of the most popular platforms to download free PDF files is Project Gutenberg. This online library offers over 60,000 free eBooks that are in the public domain. From classic literature to historical documents, Project Gutenberg provides a wide range of PDF files that can be downloaded and enjoyed on various devices. The website is user-friendly and allows users to search for specific titles or browse through different categories. Another reliable platform for downloading White Sewing Machine 1510 Manual Thread Tension free PDF files is Open Library. With its vast collection of over 1 million eBooks, Open Library has something for every reader. The website offers a seamless experience by providing options to borrow or download PDF files. Users simply need to create a free account to access this treasure trove of knowledge. Open Library also allows users to contribute by uploading and sharing their own PDF files, making it a collaborative platform for book enthusiasts. For those interested in academic resources, there are websites dedicated to providing free PDFs of research papers and scientific articles. One such website is Academia.edu, which allows researchers and scholars to share their work with a global audience. Users can download PDF files of research papers, theses, and dissertations covering a wide range of subjects. Academia.edu also provides a platform for discussions and networking within the academic community. When it comes to downloading White Sewing Machine 1510 Manual Thread Tension free PDF files of magazines, brochures, and catalogs, Issuu is a popular choice. This digital publishing platform hosts a vast collection of publications from around the world. Users can search for specific titles or explore various categories and genres. Issuu offers a seamless reading experience with its user-friendly interface and allows users to download PDF files for offline reading. Apart from dedicated platforms, search engines also play a crucial role in finding free PDF files. Google, for instance, has an advanced search feature that allows users to filter results by file type. By specifying the file type as "PDF,"

users can find websites that offer free PDF downloads on a specific topic. While downloading White Sewing Machine 1510 Manual Thread Tension free PDF files is convenient, it's important to note that copyright laws must be respected. Always ensure that the PDF files you download are legally available for free. Many authors and publishers voluntarily provide free PDF versions of their work, but it's essential to be cautious and verify the authenticity of the source before downloading White Sewing Machine 1510 Manual Thread Tension. In conclusion, the internet offers numerous platforms and websites that allow users to download free PDF files legally. Whether it's classic literature, research papers, or magazines, there is something for everyone. The platforms mentioned in this article, such as Project Gutenberg, Open Library, Academia.edu, and Issuu, provide access to a vast collection of PDF files. However, users should always be cautious and verify the legality of the source before downloading White Sewing Machine 1510 Manual Thread Tension any PDF files. With these platforms, the world of PDF downloads is just a click away.

### **FAQs About White Sewing Machine 1510 Manual Thread Tension Books**

How do I know which eBook platform is the best for me? Finding the best eBook platform depends on your reading preferences and device compatibility. Research different platforms, read user reviews, and explore their features before making a choice. Are free eBooks of good quality? Yes, many reputable platforms offer high-quality free eBooks, including classics and public domain works. However, make sure to verify the source to ensure the eBook credibility. Can I read eBooks without an eReader? Absolutely! Most eBook platforms offer web-based readers or mobile apps that allow you to read eBooks on your computer, tablet, or smartphone. How do I avoid digital eye strain while reading eBooks? To prevent digital eye strain, take regular breaks, adjust the font size and background color, and ensure proper lighting while reading eBooks. What's the advantage of interactive eBooks? Interactive eBooks incorporate multimedia elements, quizzes, and activities, enhancing the reader engagement and providing a more immersive learning experience. White Sewing Machine 1510 Manual Thread Tension is one of the best books in our library for free trial. We provide a copy of White Sewing Machine 1510 Manual Thread Tension in digital format, so the resources that you find are reliable. There are also many eBooks related to White Sewing Machine 1510 Manual Thread Tension. Where to download White Sewing Machine 1510 Manual Thread Tension online for free? Are you looking for White Sewing Machine 1510 Manual Thread Tension PDF? This is definitely going to save you time and cash in something you should think about. If you're trying to find it, then search around for it online. Without a doubt, there are numerous of these available and many of them have the freedom. However, without a doubt, you receive whatever you purchase. An alternate way to get ideas is always to check another White Sewing Machine 1510 Manual Thread Tension. This method for seeing exactly what may be included and adopting these ideas to your book. This site will almost certainly



help you save time and effort, money and stress. If you are looking for free books then you really should consider finding to assist you try this. Several of White Sewing Machine 1510 Manual Thread Tension are for sale to free while some are payable. If you arent sure if the books you would like to download works with for usage along with your computer, it is possible to download free trials. The free guides make it easy for someone to free access online library for download books to your device. You can get free download on free trial for lots of books categories. Our library is the biggest of these that have literally hundreds of thousands of different products categories represented. You will also see that there are specific sites catered to different product types or categories, brands or niches related with White Sewing Machine 1510 Manual Thread Tension. So depending on what exactly you are searching, you will be able to choose e books to suit your own need. Need to access completely for Campbell Biology Seventh Edition book? Access Ebook without any digging. And by having access to our ebook online or by storing it on your computer, you have convenient answers with White Sewing Machine 1510 Manual Thread Tension To get started finding White Sewing Machine 1510 Manual Thread Tension, you are right to find our website which has a comprehensive collection of books online. Our library is the biggest of these that have literally hundreds of thousands of different products represented. You will also see that there are specific sites catered to different categories or niches related with White Sewing Machine 1510 Manual Thread Tension So depending on what exactly you are searching, you will be able to choose ebook to suit your own need. Thank you for reading White Sewing Machine 1510 Manual Thread Tension. Maybe you have knowledge that, people have search numerous times for their favorite readings like this White Sewing Machine 1510 Manual Thread Tension, but end up in harmful downloads. Rather than reading a good book with a cup of coffee in the afternoon, instead they juggled with some harmful bugs inside their laptop. White Sewing Machine 1510 Manual Thread Tension is available in our book collection an online access to it is set as public so you can download it instantly. Our digital library spans in multiple locations, allowing you to get the most less latency time to download any of our books like this one. Merely said, White Sewing Machine 1510 Manual Thread Tension is universally compatible with any devices to read.

### **Find White Sewing Machine 1510 Manual Thread Tension :**

**skill intervention chapter 4 holt algebra 1 answers**

*slc study guide*

[ski doo bombardier 583 snowmobile repair manual](#)

[skyline rv manual](#)

[skf bearing design manual](#)

[skyrim guide book](#)

**click start manual**

**sleeping beauty and the curse of the mummy s tomb**

[sleeping with lions a spiritual awakening](#)

[skills worksheet concept review answer key](#)

**sleep technician pocket guide**

**skoda superb greenline manual**

[ski doo snowmobile rf series 2007 service repair manual](#)

[skills concept review molecular composition of gases](#)

**slave at the auction the initiation book english edition**

### **White Sewing Machine 1510 Manual Thread Tension :**

The Scapegoat Complex: Toward a Mythology ... - Google Books The Scapegoat Complex: Toward a Mythology ... - Google Books Scapegoat Complex, The (Studies in Jungian Psychology ... ... scapegoats for family ills. Perera posits the view that the scapegoat complex has its roots in ancient goddess mythology. I am interested in this complex ... The Scapegoat Complex: Toward a Mythology of Shadow ... I feel so much guilt for deciding to leave my scapegoating parents. After reading this book I efficiently disidentified from the scapegoat identified individual ... By Sylvia Brinton Perera Scapegoat Complex: Toward a ... By Sylvia Brinton Perera Scapegoat Complex: Toward a Mythology of Shadow and Guilt (Studies in Jungian Psychology By Jungian (1st First Edition) [Paperback]. Toward a Mythology of Shadow and Guilt by Sylvia Brinton ... Shows that scapegoating is a way of denying one's own dark side by projecting it onto others. - THE SCAPEGOAT COMPLEX: Toward a Mythology of Shadow and Guilt by ... scapegoat complex The scapegoat complex: Toward a mythology of shadow and guilt ... Sma, WA, U.S.A.. Seller Rating: 5-star rating. Used - Softcover Condition: Good. US\$ ... Scapegoat Complex (Studies in Jungian Psychology By ... Shows that scapegoating is a way of denying one's own dark side by projecting it onto others. 2 in stock. Scapegoat Complex (Studies in Jungian Psychology By ... The Scapegoat Complex: Shadow and Guilt “The term scapegoat is applied to individuals and groups who are accused of causing misfortune. Scapegoating means finding those who can be identified with evil ... The scapegoat complex : toward a mythology of shadow and ... The scapegoat complex : toward a mythology of shadow and guilt ; Physical description: 1 online resource (126 pages) ; Series: Studies in Jungian psychology. The scapegoat complex : toward a mythology of shadow ... Nov 11, 2011 — The scapegoat complex : toward a mythology of shadow and guilt ; Publication date: 1986 ; Topics: Scapegoat, Scapegoat, Jungian psychology. Elementary Statistics: Picturing the World - 5th Edition Now, with expert-verified solutions from Elementary Statistics: Picturing the World 5th Edition, you'll learn how to solve your toughest homework problems. Elementary Statistics: Picturing the World |

5th Edition Verified Textbook Solutions. Need answers to Elementary Statistics: Picturing the World 5th Edition ... textbook answers. Solve your toughest Statistics problems Elementary Statistics: Picturing The World (nasta) 5th ... Access Elementary Statistics: Picturing the World (NASTA) 5th Edition solutions now. Our solutions are written by Chegg experts so you can be assured of the ... Elementary Statistics: A Step by Step Approach - 5th Edition Our resource for Elementary Statistics: A Step by Step Approach includes answers to chapter exercises, as well as detailed information to walk you through the ... Elementary Statistics, A Brief Version 5th Edition Textbook ... Access Elementary Statistics, a Brief Version 5th Edition solutions now. Our solutions are written by Chegg experts so you can be assured of the highest ... Modern elementary statistics, fifth edition: Solutions manual The volume outlines all aspects of summarizing data, possibilities and probabilities, rules of probability, expectations and decisions, distribution, sampling, ... picturing the world 5th ed., Ron Larson, Betsy Farber This manual contains worked-out solutions for all the odd-numbered exercises in the text. larson farber elementary statistics 5th.pdf Welcome to Elementary Statistics: Picturing the World,. Fifth Edition. You will ... problems that may arise if clinical trials of a new experimental drug or ... Elementary Statistics Using The Ti-83/84 Plus Calculator ... We offer sample solutions for Elementary Statistics Using The Ti-83/84 Plus Calculator, Books A La Carte Edition (5th Edition) homework problems. See ... Elementary Statistics: Picturing the World with Student ... Amazon.com: Elementary Statistics: Picturing the World with Student Solutions Manual (5th Edition): 9780321788795: Larson, Ron, Farber, Betsy: Books. Kindle\_Touch\_User\_Guide\_3rd\_... User's Guide, customer service contact information, and other limited ... Amazon Kindle device software, the Amazon Kindle Quick Start Guide, and the Amazon. Kindle User's Guide Your Kindle features a touchscreen interface that enables you to perform many ... The Kindle Customer Service website at [www.amazon.com/devicesupport](http://www.amazon.com/devicesupport) has helpful. Kindle User's Guide This short guide will familiarize you with all of the features and functionality of the Kindle Touch. Registering your Kindle. If you bought your Kindle online ... Amazon Kindle Kindle Touch User Manual View and Download Amazon Kindle Kindle Touch user manual online. Amazon Kindle Kindle Touch: User Guide. Kindle Kindle Touch ebook reader pdf manual ... Kindle E-Reader Help - Amazon Customer Service Kindle E-Reader Help. Get help setting up and troubleshooting common issues with your Kindle E-reader. Amazon Kindle Touch User Manual View and Download Amazon Kindle Touch user manual online. 3rd Edition. Kindle Touch ebook reader pdf manual download. Digital Services and Device Support Need help with your Amazon devices and digital services, including Prime Video, Fire TV, Kindle, Alexa and Echo, Amazon Music, Amazon Games, and Smart Home ... How to use Kindle Paperwhite - About Amazon Feb 10, 2023 — If you've recently purchased a Kindle Paperwhite and are ready to start putting it to use, we're here to help. Kindle Paperwhite User Guide: The... by Campbell, Curtis Kindle Paperwhite User Guide: The Complete User Manual with Tips & Tricks for Beginners and Pro to Master the All-New Kindle Paperwhite 10th Generation ... Learn About Sending Documents to Your Kindle Library Send to Kindle is a service that allows you to send documents to your Kindle library on

your Kindle devices and Kindle app at no additional cost.