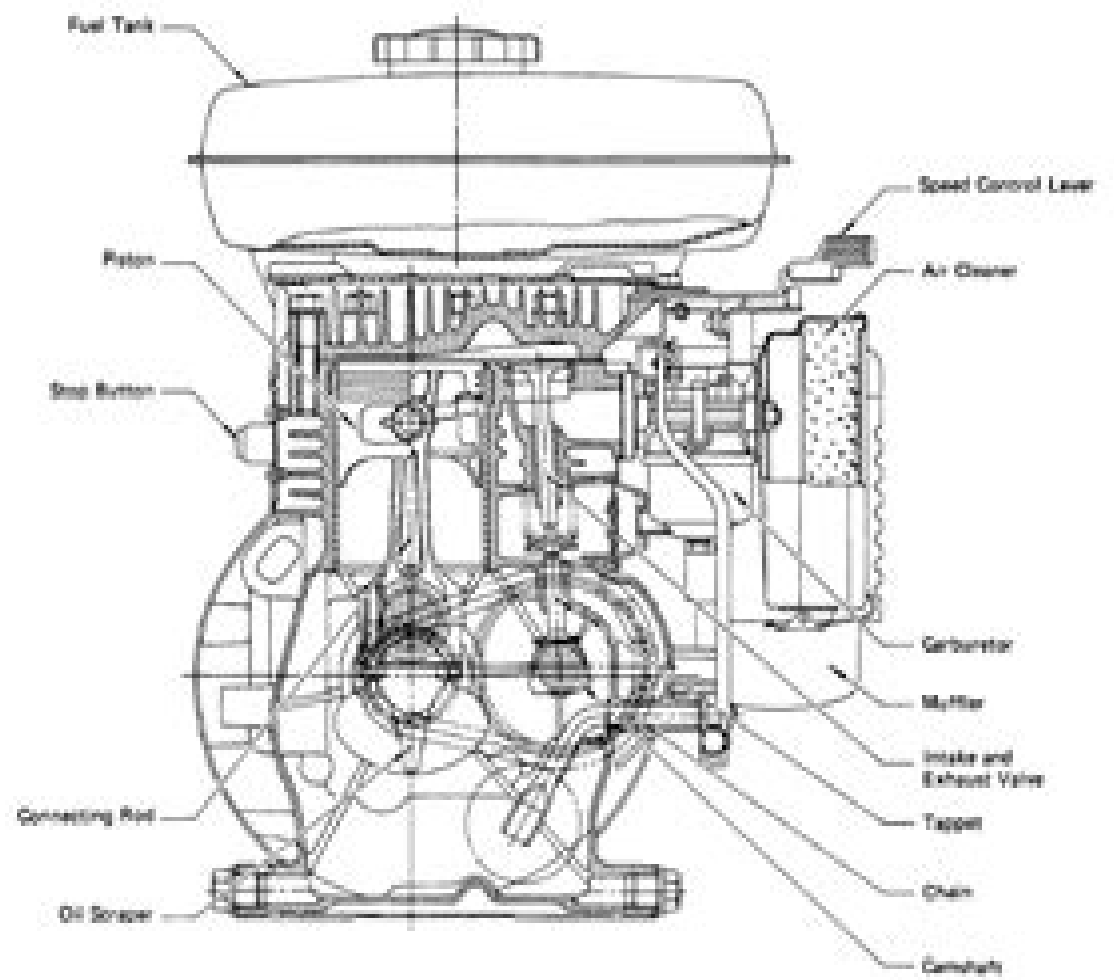


- HOME
- ENGINE MANUALS
- SPECIFICATION SHEETS
- SERVICE NEWS BULLETINS
- HELP



MODEL EY15B

Subaru Robin Engine Manual

L Cohen



Subaru Robin Engine Manual:

Moody's International Manual ,2000 **Mergent International Manual** ,2002 *Small Gas Engine Repair* Paul Dempsey,2008-05-08 SAVE MONEY BY HANDLING YOUR OWN SMALL GAS ENGINE MAINTENANCE OR REPAIR JOBS The Third Edition of Small Gas Engine Repair shows you how to troubleshoot and repair virtually any type of small gas engine used in garden equipment chain saws pumps and standby generators Completely revised and updated and offering a step by step approach this bestseller covers all you need to know to repair and maintain a small gas engine and get professional results while saving money This in depth guide by master mechanic Paul Dempsey includes the latest in small engine technology and gives you up to date information on overhead valve and overhead cam engines carburetion advances digital ignition systems and more Dempsey explains how to troubleshoot and repair both two and four cycle engines The author also reveals the shortcuts field fixes and other tricks of the trade that only working mechanics know In this Third Edition you ll find New information on float type and diaphragm carburetors The latest ignition systems together with advances in pollution control devices More than 50% new material added INSIDE THIS GAS ENGINE REPAIR GUIDE Basics Troubleshooting Ignition Systems Fuel System Rewind Starters Electrical System Engine Mechanical not a major section addressed only briefly in this book **VW Polo Petrol & Diesel Service & Repair Manual** R. M. Jex,2007 Hatchback including special limited editions Does NOT cover features specific to Dune models or facelifted Polo range introduced June 2005 Petrol 1 2 litre 1198cc 3 cyl 1 4 litre 1390cc non FSI 4 cyl Does NOT cover 1 4 litre FSI engines Diesel 1 4 litre 1422cc 3 cyl 1 9 litre 1896cc 4 cyl inc PD TDI turbo **Goodgrog** John Schreiner,2023-03-27 Goodgrog A Life in Wine and Journalism chronicles the life and especially the career of journalist John Schreiner who may have had one of the most enviable jobs ever wine writer For over forty years in newspaper and magazine articles and columns and through nineteen books Schreiner has entertained and informed Canadian wine drinkers championed British Columbia wineries and helped establish the credibility of the Canadian wine industry His research for this has involved visiting and sampling the wares of wineries across British Columbia Canada the US Europe South America Australia and New Zealand He has also judged several prestigious wine competitions in Italy and British Columbia But there is much more to Schreiner s story than his experience as one of Canada s leading wine writers He begins his tale in Indian Head Saskatchewan where he was born in the latter years of the Depression From there he takes readers along his journey as a journalist at the Regina Leader Post and finally the Financial Post where he covered some of Western Canada s biggest business stories and had the opportunity to travel the world doing economic reports Filled with anecdotes from both his private and professional life as well as with stories about the Canadian wine industry and some of British Columbia s more colourful politicians and business leaders this book is good to the last drop **Autocar & Motor** ,1989 **Maine Register; Or, State Year-book and Legislative Manual** ,1988 **Cruising World** ,1996-01 *Car and Driver* ,2003 *Popular Science* ,2002-05 **Home Power** ,2009

Books In Print 2004-2005 Ed Bowker Staff, Staff Bowker, Ed, 2004 **Autocar** ,2001 *Motor Cycling and Motoring*
,1969-09 **The Free American!** ,1999 **Thomas Register of American Manufacturers and Thomas Register**
Catalog File ,2002 Vols for 1970 71 includes manufacturers catalogs **Thomas Register of American Manufacturers**
,2002 This basic source for identification of U S manufacturers is arranged by product in a large multi volume set Includes
Products services Company profiles and Catalog file **Jane's All the World's Aircraft, 1999-2000** Paul Jackson,1999
Motor Trend ,1982 **Science in Action** Robin Kerrod,2002 Discusses a variety of topics relating to the applications of
science including technology tools farming printing weapons building transportation and more

This is likewise one of the factors by obtaining the soft documents of this **Subaru Robin Engine Manual** by online. You might not require more epoch to spend to go to the book instigation as competently as search for them. In some cases, you likewise do not discover the proclamation Subaru Robin Engine Manual that you are looking for. It will certainly squander the time.

However below, taking into consideration you visit this web page, it will be so enormously simple to get as well as download guide Subaru Robin Engine Manual

It will not give a positive response many period as we tell before. You can reach it even though work something else at house and even in your workplace. as a result easy! So, are you question? Just exercise just what we provide below as well as evaluation **Subaru Robin Engine Manual** what you past to read!

http://www.frostbox.com/public/book-search/Documents/Supersonic_Sc_31_Dvd_Players_Owners_Manual.pdf

Table of Contents Subaru Robin Engine Manual

1. Understanding the eBook Subaru Robin Engine Manual
 - The Rise of Digital Reading Subaru Robin Engine Manual
 - Advantages of eBooks Over Traditional Books
2. Identifying Subaru Robin Engine Manual
 - Exploring Different Genres
 - Considering Fiction vs. Non-Fiction
 - Determining Your Reading Goals
3. Choosing the Right eBook Platform
 - Popular eBook Platforms
 - Features to Look for in an Subaru Robin Engine Manual
 - User-Friendly Interface
4. Exploring eBook Recommendations from Subaru Robin Engine Manual

- Personalized Recommendations
 - Subaru Robin Engine Manual User Reviews and Ratings
 - Subaru Robin Engine Manual and Bestseller Lists
5. Accessing Subaru Robin Engine Manual Free and Paid eBooks
 - Subaru Robin Engine Manual Public Domain eBooks
 - Subaru Robin Engine Manual eBook Subscription Services
 - Subaru Robin Engine Manual Budget-Friendly Options
 6. Navigating Subaru Robin Engine Manual eBook Formats
 - ePub, PDF, MOBI, and More
 - Subaru Robin Engine Manual Compatibility with Devices
 - Subaru Robin Engine Manual Enhanced eBook Features
 7. Enhancing Your Reading Experience
 - Adjustable Fonts and Text Sizes of Subaru Robin Engine Manual
 - Highlighting and Note-Taking Subaru Robin Engine Manual
 - Interactive Elements Subaru Robin Engine Manual
 8. Staying Engaged with Subaru Robin Engine Manual
 - Joining Online Reading Communities
 - Participating in Virtual Book Clubs
 - Following Authors and Publishers Subaru Robin Engine Manual
 9. Balancing eBooks and Physical Books Subaru Robin Engine Manual
 - Benefits of a Digital Library
 - Creating a Diverse Reading Collection Subaru Robin Engine Manual
 10. Overcoming Reading Challenges
 - Dealing with Digital Eye Strain
 - Minimizing Distractions
 - Managing Screen Time
 11. Cultivating a Reading Routine Subaru Robin Engine Manual
 - Setting Reading Goals Subaru Robin Engine Manual
 - Carving Out Dedicated Reading Time
 12. Sourcing Reliable Information of Subaru Robin Engine Manual

- Fact-Checking eBook Content of Subaru Robin Engine Manual
 - Distinguishing Credible Sources
13. Promoting Lifelong Learning
- Utilizing eBooks for Skill Development
 - Exploring Educational eBooks
14. Embracing eBook Trends
- Integration of Multimedia Elements
 - Interactive and Gamified eBooks

Subaru Robin Engine Manual Introduction

In the digital age, access to information has become easier than ever before. The ability to download Subaru Robin Engine Manual has revolutionized the way we consume written content. Whether you are a student looking for course material, an avid reader searching for your next favorite book, or a professional seeking research papers, the option to download Subaru Robin Engine Manual has opened up a world of possibilities. Downloading Subaru Robin Engine Manual provides numerous advantages over physical copies of books and documents. Firstly, it is incredibly convenient. Gone are the days of carrying around heavy textbooks or bulky folders filled with papers. With the click of a button, you can gain immediate access to valuable resources on any device. This convenience allows for efficient studying, researching, and reading on the go. Moreover, the cost-effective nature of downloading Subaru Robin Engine Manual has democratized knowledge. Traditional books and academic journals can be expensive, making it difficult for individuals with limited financial resources to access information. By offering free PDF downloads, publishers and authors are enabling a wider audience to benefit from their work. This inclusivity promotes equal opportunities for learning and personal growth. There are numerous websites and platforms where individuals can download Subaru Robin Engine Manual. These websites range from academic databases offering research papers and journals to online libraries with an expansive collection of books from various genres. Many authors and publishers also upload their work to specific websites, granting readers access to their content without any charge. These platforms not only provide access to existing literature but also serve as an excellent platform for undiscovered authors to share their work with the world. However, it is essential to be cautious while downloading Subaru Robin Engine Manual. Some websites may offer pirated or illegally obtained copies of copyrighted material. Engaging in such activities not only violates copyright laws but also undermines the efforts of authors, publishers, and researchers. To ensure ethical downloading, it is advisable to utilize reputable websites that prioritize the legal distribution of content. When downloading Subaru Robin Engine Manual, users should also consider the potential security risks associated with online

platforms. Malicious actors may exploit vulnerabilities in unprotected websites to distribute malware or steal personal information. To protect themselves, individuals should ensure their devices have reliable antivirus software installed and validate the legitimacy of the websites they are downloading from. In conclusion, the ability to download Subaru Robin Engine Manual has transformed the way we access information. With the convenience, cost-effectiveness, and accessibility it offers, free PDF downloads have become a popular choice for students, researchers, and book lovers worldwide. However, it is crucial to engage in ethical downloading practices and prioritize personal security when utilizing online platforms. By doing so, individuals can make the most of the vast array of free PDF resources available and embark on a journey of continuous learning and intellectual growth.

FAQs About Subaru Robin Engine Manual Books

How do I know which eBook platform is the best for me? Finding the best eBook platform depends on your reading preferences and device compatibility. Research different platforms, read user reviews, and explore their features before making a choice. Are free eBooks of good quality? Yes, many reputable platforms offer high-quality free eBooks, including classics and public domain works. However, make sure to verify the source to ensure the eBook credibility. Can I read eBooks without an eReader? Absolutely! Most eBook platforms offer webbased readers or mobile apps that allow you to read eBooks on your computer, tablet, or smartphone. How do I avoid digital eye strain while reading eBooks? To prevent digital eye strain, take regular breaks, adjust the font size and background color, and ensure proper lighting while reading eBooks. What the advantage of interactive eBooks? Interactive eBooks incorporate multimedia elements, quizzes, and activities, enhancing the reader engagement and providing a more immersive learning experience. Subaru Robin Engine Manual is one of the best book in our library for free trial. We provide copy of Subaru Robin Engine Manual in digital format, so the resources that you find are reliable. There are also many Ebooks of related with Subaru Robin Engine Manual. Where to download Subaru Robin Engine Manual online for free? Are you looking for Subaru Robin Engine Manual PDF? This is definitely going to save you time and cash in something you should think about. If you trying to find then search around for online. Without a doubt there are numerous these available and many of them have the freedom. However without doubt you receive whatever you purchase. An alternate way to get ideas is always to check another Subaru Robin Engine Manual. This method for see exactly what may be included and adopt these ideas to your book. This site will almost certainly help you save time and effort, money and stress. If you are looking for free books then you really should consider finding to assist you try this. Several of Subaru Robin Engine Manual are for sale to free while some are payable. If you arent sure if the books you would like to download works with for usage along with your computer, it is possible to download free trials. The free guides

make it easy for someone to free access online library for download books to your device. You can get free download on free trial for lots of books categories. Our library is the biggest of these that have literally hundreds of thousands of different products categories represented. You will also see that there are specific sites catered to different product types or categories, brands or niches related with Subaru Robin Engine Manual. So depending on what exactly you are searching, you will be able to choose e books to suit your own need. Need to access completely for Campbell Biology Seventh Edition book? Access Ebook without any digging. And by having access to our ebook online or by storing it on your computer, you have convenient answers with Subaru Robin Engine Manual To get started finding Subaru Robin Engine Manual, you are right to find our website which has a comprehensive collection of books online. Our library is the biggest of these that have literally hundreds of thousands of different products represented. You will also see that there are specific sites catered to different categories or niches related with Subaru Robin Engine Manual So depending on what exactly you are searching, you will be able to choose ebook to suit your own need. Thank you for reading Subaru Robin Engine Manual. Maybe you have knowledge that, people have search numerous times for their favorite readings like this Subaru Robin Engine Manual, but end up in harmful downloads. Rather than reading a good book with a cup of coffee in the afternoon, instead they juggled with some harmful bugs inside their laptop. Subaru Robin Engine Manual is available in our book collection an online access to it is set as public so you can download it instantly. Our digital library spans in multiple locations, allowing you to get the most less latency time to download any of our books like this one. Merely said, Subaru Robin Engine Manual is universally compatible with any devices to read.

Find Subaru Robin Engine Manual :

[supersonic sc 31 dvd players owners manual](#)

supernatural episode guide spoilers

[surveillance tradecraft manual](#)

[sungard banner 8 reference guides](#)

surface area of pyramids and cones lesson 5

[super smash bros brawl characters guide](#)

supra 844 manual

[superhero emblem template](#)

[supermicro 370sea owners manual](#)

[superior sickle mower manual](#)

supplementary service error general error blackberry bold 9780

sundstrand 981 manual

sunquest tanning bed manual pro 24 rs

sur la route du crime polar noir

supplemental practice problems solutions manual chemistry

Subaru Robin Engine Manual :

8 beginner pilates exercises for runners run with caroline - Mar 31 2022

web jun 23 2022 is pilates good for runners what are the best beginner pilates exercises are you ready let s get started what is pilates pilates is a form of low impact exercise that aims to strengthen muscles whilst improving flexibility mobility and postural alignment

pilates for runners everything you need to start using pilates to - Dec 08 2022

web everything you need to start using pilates to improve your running get stronger more flexible avoid injury and improve your performance pilates for runners is a valuable resource filled with mat pilates exercises designed for runners of all abilities

[pilates for runners everything you need to start using pilates to](#) - Feb 27 2022

web pilates for runners book read reviews from world s largest community for readers pilates for runners is a valuable resource filled with mat pilates exe

pilates for runners everything you need to start using pilates to - Mar 11 2023

web apr 20 2017 pilates for runners everything you need to start using pilates to improve your running get stronger more flexible avoid injury and improve your performance kindle edition by angell harri download it once and read it on your kindle device pc phones or tablets

pilates for runners everything you need to start using pilates to - Aug 16 2023

web pilates for runners everything you need to start using pilates to improve your running get stronger more flexible avoid injury and improve your performance harri angell amazon com tr kitap

[pilates for runners 15 minute routine lottie murphy](#) - Jan 29 2022

web sep 22 2018 in 15 minutes you ll get what you need with some butt activation core work and stretching pilatesforrunners lottiemurphypilates subscribe to my channel for a new pilates routine every saturday

pilates for runners everything you need to start using pilates to - Oct 06 2022

web pilates for runners is a valuable resource filled with mat pilates exercises designed for runners of all abilities the clear and accessible exercises will help runners develop core strength flexibility improved balance coordination and better posture

all of which are important for injury free running and optimal performance alongside the clear step by

pilates for runners everything you need to start using pilates to - Apr 12 2023

web apr 20 2017 pilates for runners everything you need to start using pilates to improve your running get stronger more flexible avoid injury and improve your performance kindle edition by harri angell author format kindle edition 4 6 84 ratings

pilates for runners everything you need to start using pilates to - Sep 05 2022

web pilates for runners is a valuable resource filled with mat pilates exercises designed for runners of all abilities the clear and accessible exercises will help there are no results for your search

pilates for runners everything you need to start using - Feb 10 2023

web may 2 2017 pilates for runners everything you need to start using pilates to improve your running get stronger more flexible avoid injury and improve your performance harri angell 4 22 18 ratings2 reviews an easy to use resource to

pilates for runners why do it and 7 exercises to try today - Jun 02 2022

web jun 27 2023 7 best pilates exercises for runners to build a strong core here are some great pilates exercises that you can try at home all you need is a mat and you re good to go pilates can be a strenuous workout just like running you need to ease in to the practice and feel free to modify or reduce reps until your body adjusts to the movement 1

pilates for runners everything you need to start using pilates to - Jun 14 2023

web may 2 2017 pilates for runners everything you need to start using pilates to improve your running get stronger more flexible avoid injury and improve your performance angell harri on amazon com free shipping on qualifying offers

[pilates for runners everything you need to start using pilates to](#) - Nov 07 2022

web an easy to use resource to improve your running with pilates pilates for runners is a valuable resource filled with mat pilates exercises designed for runners o

pilates for runners 30 minute routine youtube - Dec 28 2021

web i have compiled a short 30 pilates based routine for runners that i follow to prevent injury if you maintain a good exercise regi more more mobility and activation are two important

pilates for runners everything you need to start using pilates to - Jan 09 2023

web the clear and accessible exercises will help runners develop core strength flexibility improved balance coordination and better posture all of which are important for injury free running and optimal performance

pilates for runners everything you need to start using pilates to - Aug 04 2022

web pilates for runners is a valuable resource filled with mat pilates exercises designed for runners of all abilities the clear and accessible exercises will help you as a runner develop core strength flexibility improved balance coordination and good posture all of these are important elements for a life of injury free running and optimal performance

pilates workouts for runners benefits of pilates - Jul 15 2023

web nov 9 2021 the benefits of pilates workouts for runners range from core strength to enhanced endurance here s why you need the practice and how to get started with it

pilates for runners everything you need to start using pilates to - May 13 2023

web apr 20 2017 pilates for runners everything you need to start using pilates to improve your running get stronger more flexible avoid injury and improve your performance amazon co uk angell harri 9781472938008 books health family lifestyle fitness exercise yoga buy new 18 99 free returns free delivery monday april 17 details

[pilates for runners everything you need to start using pilates to](#) - May 01 2022

web pilates for runners is a valuable resource filled with mat pilates exercises designed for runners of all abilities the clear and accessible exercises will help runners develop core strength flexibility improved balance coordination and better posture all of which are important for injury free running and optimal performance

13 pilates moves for runners self - Jul 03 2022

web oct 19 2017 neck stretch stand tall with your feet together back straight shoulders back and arms relaxed at your sides slowly drop your left ear to your left shoulder to a point where you feel a

[four corners 3 student book pdf pdf scribd](#) - Mar 15 2023

feb 10 2018 listen to four corners level 3 class audio disc 1 with fifty five episodes free no signup or install needed unit 4 page 41 exercise 2 unit 4 page 40 exercise 1

england 3 1 italy oct 17 2023 final score espn - Nov 30 2021

four corners pdf vocabulary fluency scribd - Nov 11 2022

nov 9 2017 1 cambridge university press photocopiable four corners 3 unit 1 quiz 1 a track 02 listen to jill and mark talk about their busy lives circle the correct answer to

how to teach remotely using four corners issuu - Dec 12 2022

apr 22 2023 listening text of four corners 3 1 11 downloaded from uniport edu ng on april 22 2023 by guest listening text of four corners 3 getting the books listening text of four

download listening text of four corners 3 pdf ebook - Aug 08 2022

listening text of four corners 3 downloaded from store spiralny com by guest santana sonny four corners the teacher toolkit listening text of four cornersfull text of

toeic 3 four corners 3 google drive - Jul 19 2023

toeic 3 four corners 3 google drive four corners 3 student book pdf dec 22 2014 four corners 3 work book pdf dec 22 2014

fourcorners 3 selfstudy student book nrg dec

download listening text of four corners 3 pdf ebook pdf - Mar 03 2022

download listening text of four corners 3 pdf ebook downloaded from new abelini com by guest coleman clarence four corners level 3 teacher s edition with assessment

download listening text of four corners 3 pdf ebook pdf - May 05 2022

download listening text of four corners 3 pdf ebook interactive dictations colloquial french 2 four corners level 2 student s book with self study cd rom four corners level 3

four corners level 3 class audio disc 1 podcast player fm - Feb 14 2023

oct 31 2011 the interleaved four corners teacher s edition with assessment audio cd cd rom level 3 features complete teaching instructions optional activities photocopyable video

download listening text of four corners 3 ebook - Oct 30 2021

four corners level 3 teacher s edition with assessment audio - Jan 13 2023

reading and listening texts are meant to help the students become better readers listeners not to test to ensure students don t always work with the same sa cambridge university

four corners 3 teacher s edition pdf 7tqtgo7pl6d0 e - Aug 20 2023

four corners is an integrated four skills english course for adults and young adults the interleaved four corners teacher s edition with assessment audio cd cd rom level 3

four corners 3 listening text copy zapmap nissan co - Feb 02 2022

oct 17 2023 game summary of the england vs italy uefa european championship qualifying game final score 3 1 from october 17 2023 on espn

listening text of four corners 3 data northitalia - Jul 07 2022

from ancient text to valid application stand out level 4 four corners level 3 student s book b with self study cd rom four corners level 1 workbook □□□□□□ model rules of

four corners class audio cambridge university press - Sep 21 2023

download or play the full class audio for four corners by clicking the link below class audio

listening text of four corners 3 pdf uniport edu - Oct 10 2022

four corners level 1 workbook four corners level 3 student s book b with self study cd rom text speech and dialogue discovering computers digital technology data and

listening text of four corners 3 store spiralny - Jun 06 2022

we meet the expense of listening text of four corners 3 and numerous ebook collections from fictions to scientific research in any way accompanied by them is this listening text

[four corners level 3 student s book issuu](#) - Jun 18 2023

four corners is an integrated four skills course for adults and young adults who want to use english to communicate effectively in daily life easy and enjoyable to teach it combines

listening text of four corners 3 full pdf yvc moeys gov - Apr 04 2022

6 6 four corners 3 listening text 2022 04 28 fluency as with other levels of four corners an extensive set of print and electronic course components is available to help develop

four corners adult young adult cambridge university press - May 17 2023

size 198 7mb download as pdf download original pdf this document was uploaded by user and they confirmed that they have the permission to share it if you are author or own the

[download four corners 3 teacher s edition pdf](#) - Apr 16 2023

four corners 3 student book pdf free ebook download as pdf file pdf text file txt or read book online for free

[four corners 3 quiz pdf slideshare](#) - Sep 09 2022

four corners level 3 full contact b with self study cd rom assessing the common core what s gone wrong and how to get back on track the four corners of the world

download listening text of four corners 3 pdf ebook 2022 - Jan 01 2022

the enigmatic realm of download listening text of four corners 3 ebook unleashing the language is inner magic in a fast paced digital era where connections and knowledge

[models and algorithm for the orienteering problem in a fuzzy](#) - Jan 08 2023

web aug 21 2017 abstract the orienteering problem is a classical decision making problem that can model many applications in logistics tourism and several other fields in the orienteering problem a graph is given in which each vertex is associated with a score and the travel time along each edge is provided

[orienteering problems models and algorithms for vehicle routing](#) - Aug 15 2023

web vansteenwegen pieter and gunawan aldy orienteering problems models and algorithms for vehicle routing problems with profits 2019 1 112 available at ink library smu edu sg sis research 5093

algorithm selection for the team orienteering problem - Jun 13 2023

web algorithms for the team orienteering problem as the candidate method set for matching the best algorithm with each problem instance the specific instance characteristics are used as the instance features an algorithm selection approach namely alors is used to conduct the selection mission the computational analysis based on 157 instances

orienteering problems models and algorithms for v 2023 - Dec 07 2022

web orienteering problems models and algorithms for v dynamical systems graphs and algorithms nov 13 2022 this book describes a family of algorithms for studying the global structure of systems by a finite covering of the phase space we construct a directed graph with vertices corresponding to cells of the

orienteering problems models and algorithms for v 2023 - Nov 06 2022

web analysis and implementation details for each parallel algorithm described in the book introduction to parallel algorithms covers foundations of parallel computing parallel algorithms for trees and graphs parallel algorithms for sorting searching and merging and numerical algorithms

[orienteering problems models and algorithms for v pdf](#) - Sep 04 2022

web orienteering problems models and algorithms for v afimsc i weptac tackles afforgen base resiliency challenges afimsc af mil jul 03 2023 afimsc i weptac tackles afforgen base resiliency challenges afimsc af mil 7 most common problems of tesla model y reported by southwest journal jun 09 2021

orienteering problems models and algorithms for vehicle - Oct 17 2023

web pieter vansteenwegen aldy gunawan provides an overview of the orienteering problem and its most latest variants and applications clearly explains and illustrates the available definitions and models for routing problems with profits

orienteering problems models and algorithms for v download - Feb 26 2022

web orienteering problems models and algorithms for v 3 3 constraint programming are also increasingly popular on the front of applications metaheuristics are now used to find high quality solutions to an ever growing number of complex ill defined real world problems in particular combinatorial ones this handbook should

[improved algorithms for orienteering and related problems](#) - Apr 11 2023

web theorem 1 1 for any fixed $\epsilon > 0$ there is an algorithm with running time $n^{O(1/\epsilon)}$ achieving a $(1 + \epsilon)$ approximation for orienteering in undirected graphs theorem 1 2 there is an $O(\log n)$ approximation for orienteering in directed graphs 2 orienteering with time windows orient deadline and orient tw are more

pdf the orienteering problem researchgate - Jul 02 2022

web jun 1 1987 the orienteering problem january 2003 naval research logistics bruce golden larry levy orienteering is a sport in which start and end points are specified along with other locations these

orienteering problems models and algorithms for v - Jun 01 2022

web orienteering problems models and algorithms for v green pervasive and cloud computing integration of constraint programming artificial intelligence and operations research uncertainty management with fuzzy and rough sets bio inspired models of network information and computing systems handbook of metaheuristics

orienteering problems models and algorithms for v g gutin - Mar 30 2022

web our books later this one merely said the orienteering problems models and algorithms for v is universally compatible in the manner of any devices to read meta heuristics stefan voß 2012 12 06 meta heuristics advances and trends in local search paradigms for optimizations comprises a carefully refereed selection of extended

orienteering problems models and algorithms for vehicle - Sep 16 2023

web jan 1 2019 request pdf orienteering problems models and algorithms for vehicle routing problems with profits this tutorial introduces readers to several variants of routing problems with

orienteering problems springerlink - Mar 10 2023

web jan 1 2016 a vertex is counted as visited only if the walk visits v at a time $t \leq t_v$ we assume it takes τ units of time to cross an edge of length ℓ see for an overview and applications of many vehicle routing problems related to orienteering and its variants

orienteering problems models and algorithms for v pdf free - Apr 30 2022

web introduction orienteering problems models and algorithms for v pdf free optimization and applications nicholas olenov 2023 01 02 this book constitutes the refereed proceedings of the 13th international conference on optimization and

the orienteering problem library fujitsu smu unicen corp lab - Jul 14 2023

web orienteering problems ops are a variant of the well known prize collecting travelling salesman problem where the salesman needs to choose a subset of cities to visit within a given deadline ops and their extensions with stochastic travel times sops have been used to model vehicle routing problems and tourist trip design problems

orienteering problems models and algorithms for v 2022 - Oct 05 2022

web orienteering problems models and algorithms for v downloaded from ai classmonitor com by guest lyons petersen orienteering problems springer this volume collects research papers addressing topical issues in economics and management with a particular focus on dynamic models which allow to analyze and foster the decision

pieter vansteenwegen aldy gunawan orienteering problems - Feb 09 2023

web orienteering problems models and algorithms for vehicle routing problems with profits euro advanced tutorials on operational research series editors m grazia speranza brescia italy José fernando oliveira porto portugal the euro advanced tutorials on operational research are a series of short books

orienteering problems models and algorithms for vehicle - May 12 2023

web for vehicle orienteering problem with functional profits for multi orienteering problems models and algorithms for vehicle an optimal algorithm for the orienteering tour problem bio inspired algorithms for the vehicle routing problem a multi objective evolutionary hyper heuristic algorithm heuristics for the multi period orienteering

algorithm selection for the team orienteering problem - Aug 03 2022

web apr 4 2022 this work utilizes algorithm selection for solving the team orienteering problem top the top is an np hard combinatorial optimization problem in the routing domain this problem has been modelled with various extensions to address different real world problems