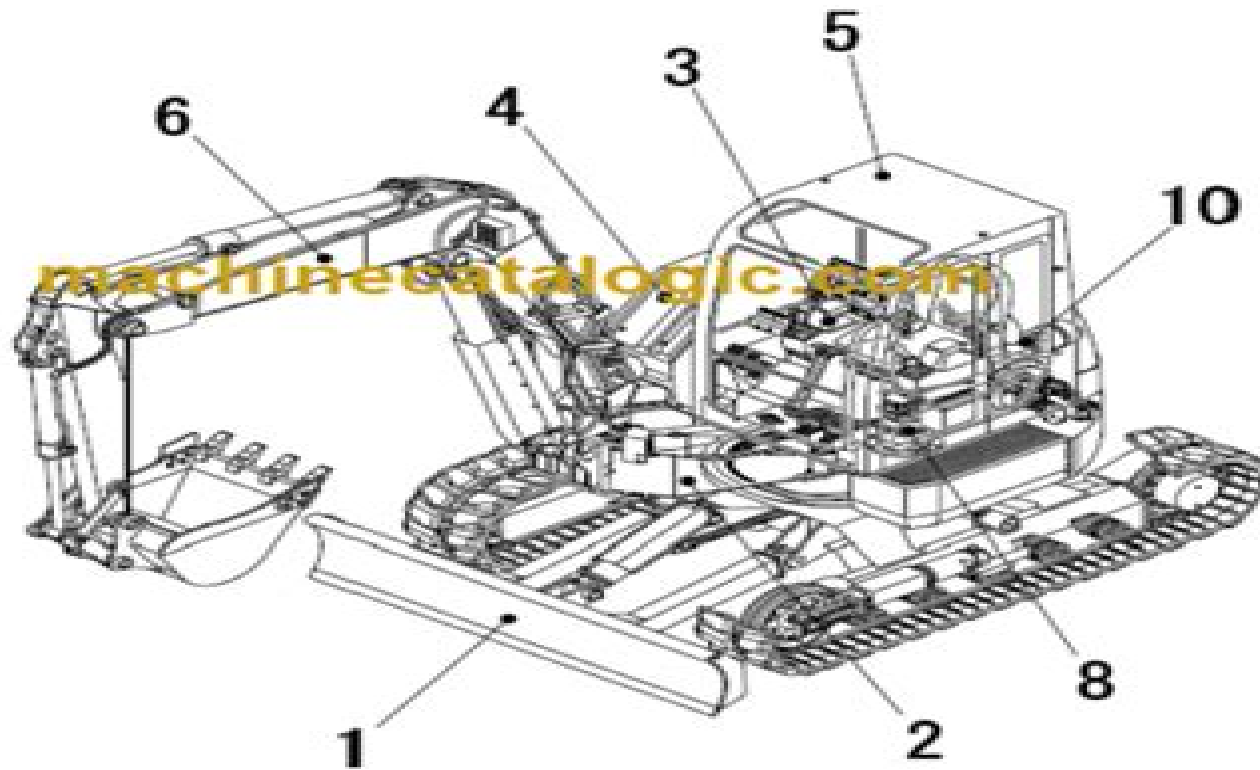


TB180FR

Book No.BL5Z004
Serial No.17830004-



TAKEUCHI

Takeuchi Tb180fr Compact Excavator Parts Manual

Caterpillar Inc. Peoria, Ill..



Takeuchi Tb180fr Compact Excavator Parts Manual:

Parts Manual Caterpillar Inc. Peoria, Ill.,1996 *Parts Manual* Caterpillar Inc. Peoria, Ill.,1995 Parts Manual
Caterpillar Inc. Peoria, Ill.,1993 Parts Manual Caterpillar Inc. Peoria, Ill.,1990 **Parts Manual** Caterpillar Inc.
Peoria, Ill.,1993 *Parts Manual* Caterpillar Inc. Peoria, Ill.,1995 **Parts Manual** Caterpillar Inc. Peoria, Ill.,1996
Parts Manual Caterpillar Inc. Peoria, Ill.,1995 Parts Manual Caterpillar Inc. Peoria, Ill.,1994 *Parts Manual*
Caterpillar Inc. Peoria, Ill.,1994 Parts Manual Caterpillar Inc. Peoria, Ill.,1995 *Parts Manual* Caterpillar Inc. Peoria,
Ill.,1992 Parts Manual Caterpillar Inc. Peoria, Ill.,1994 *Parts Manual* Caterpillar Inc. Peoria, Ill.,1993 **Parts**
Manual Caterpillar Inc. Peoria, Ill.,1994 **Parts Manual** Caterpillar Inc. Peoria, Ill.,1995 *John Deere 520 Tractor*
Parts Manual ,1966-02-15 *Parts Manual* Caterpillar Inc. Peoria, Ill.,1993 **Parts Manual** Caterpillar Inc. Peoria,
Ill.,1992 **Parts Manual** Caterpillar Inc. Peoria, Ill.,1992

Takeuchi Tb180fr Compact Excavator Parts Manual Book Review: Unveiling the Magic of Language

In an electronic digital era where connections and knowledge reign supreme, the enchanting power of language has become more apparent than ever. Its capability to stir emotions, provoke thought, and instigate transformation is actually remarkable. This extraordinary book, aptly titled "**Takeuchi Tb180fr Compact Excavator Parts Manual**," written by a very acclaimed author, immerses readers in a captivating exploration of the significance of language and its profound impact on our existence. Throughout this critique, we will delve into the book's central themes, evaluate its unique writing style, and assess its overall influence on its readership.

http://www.frostbox.com/files/Resources/Download_PDFS/sony_icd_p520_user_manual.pdf

Table of Contents Takeuchi Tb180fr Compact Excavator Parts Manual

1. Understanding the eBook Takeuchi Tb180fr Compact Excavator Parts Manual
 - The Rise of Digital Reading Takeuchi Tb180fr Compact Excavator Parts Manual
 - Advantages of eBooks Over Traditional Books
2. Identifying Takeuchi Tb180fr Compact Excavator Parts Manual
 - Exploring Different Genres
 - Considering Fiction vs. Non-Fiction
 - Determining Your Reading Goals
3. Choosing the Right eBook Platform
 - Popular eBook Platforms
 - Features to Look for in an Takeuchi Tb180fr Compact Excavator Parts Manual
 - User-Friendly Interface
4. Exploring eBook Recommendations from Takeuchi Tb180fr Compact Excavator Parts Manual
 - Personalized Recommendations
 - Takeuchi Tb180fr Compact Excavator Parts Manual User Reviews and Ratings
 - Takeuchi Tb180fr Compact Excavator Parts Manual and Bestseller Lists

5. Accessing Takeuchi Tb180fr Compact Excavator Parts Manual Free and Paid eBooks
 - Takeuchi Tb180fr Compact Excavator Parts Manual Public Domain eBooks
 - Takeuchi Tb180fr Compact Excavator Parts Manual eBook Subscription Services
 - Takeuchi Tb180fr Compact Excavator Parts Manual Budget-Friendly Options
6. Navigating Takeuchi Tb180fr Compact Excavator Parts Manual eBook Formats
 - ePub, PDF, MOBI, and More
 - Takeuchi Tb180fr Compact Excavator Parts Manual Compatibility with Devices
 - Takeuchi Tb180fr Compact Excavator Parts Manual Enhanced eBook Features
7. Enhancing Your Reading Experience
 - Adjustable Fonts and Text Sizes of Takeuchi Tb180fr Compact Excavator Parts Manual
 - Highlighting and Note-Taking Takeuchi Tb180fr Compact Excavator Parts Manual
 - Interactive Elements Takeuchi Tb180fr Compact Excavator Parts Manual
8. Staying Engaged with Takeuchi Tb180fr Compact Excavator Parts Manual
 - Joining Online Reading Communities
 - Participating in Virtual Book Clubs
 - Following Authors and Publishers Takeuchi Tb180fr Compact Excavator Parts Manual
9. Balancing eBooks and Physical Books Takeuchi Tb180fr Compact Excavator Parts Manual
 - Benefits of a Digital Library
 - Creating a Diverse Reading Collection Takeuchi Tb180fr Compact Excavator Parts Manual
10. Overcoming Reading Challenges
 - Dealing with Digital Eye Strain
 - Minimizing Distractions
 - Managing Screen Time
11. Cultivating a Reading Routine Takeuchi Tb180fr Compact Excavator Parts Manual
 - Setting Reading Goals Takeuchi Tb180fr Compact Excavator Parts Manual
 - Carving Out Dedicated Reading Time
12. Sourcing Reliable Information of Takeuchi Tb180fr Compact Excavator Parts Manual
 - Fact-Checking eBook Content of Takeuchi Tb180fr Compact Excavator Parts Manual
 - Distinguishing Credible Sources
13. Promoting Lifelong Learning

- Utilizing eBooks for Skill Development
 - Exploring Educational eBooks
14. Embracing eBook Trends
- Integration of Multimedia Elements
 - Interactive and Gamified eBooks

Takeuchi Tb180fr Compact Excavator Parts Manual Introduction

In this digital age, the convenience of accessing information at our fingertips has become a necessity. Whether its research papers, eBooks, or user manuals, PDF files have become the preferred format for sharing and reading documents. However, the cost associated with purchasing PDF files can sometimes be a barrier for many individuals and organizations. Thankfully, there are numerous websites and platforms that allow users to download free PDF files legally. In this article, we will explore some of the best platforms to download free PDFs. One of the most popular platforms to download free PDF files is Project Gutenberg. This online library offers over 60,000 free eBooks that are in the public domain. From classic literature to historical documents, Project Gutenberg provides a wide range of PDF files that can be downloaded and enjoyed on various devices. The website is user-friendly and allows users to search for specific titles or browse through different categories. Another reliable platform for downloading Takeuchi Tb180fr Compact Excavator Parts Manual free PDF files is Open Library. With its vast collection of over 1 million eBooks, Open Library has something for every reader. The website offers a seamless experience by providing options to borrow or download PDF files. Users simply need to create a free account to access this treasure trove of knowledge. Open Library also allows users to contribute by uploading and sharing their own PDF files, making it a collaborative platform for book enthusiasts. For those interested in academic resources, there are websites dedicated to providing free PDFs of research papers and scientific articles. One such website is Academia.edu, which allows researchers and scholars to share their work with a global audience. Users can download PDF files of research papers, theses, and dissertations covering a wide range of subjects. Academia.edu also provides a platform for discussions and networking within the academic community. When it comes to downloading Takeuchi Tb180fr Compact Excavator Parts Manual free PDF files of magazines, brochures, and catalogs, Issuu is a popular choice. This digital publishing platform hosts a vast collection of publications from around the world. Users can search for specific titles or explore various categories and genres. Issuu offers a seamless reading experience with its user-friendly interface and allows users to download PDF files for offline reading. Apart from dedicated platforms, search engines also play a crucial role in finding free PDF files. Google, for instance, has an advanced search feature that allows users to filter results by file type. By specifying the file type as "PDF," users can find websites that offer free PDF downloads on a specific topic. While downloading Takeuchi Tb180fr Compact

Excavator Parts Manual free PDF files is convenient, its important to note that copyright laws must be respected. Always ensure that the PDF files you download are legally available for free. Many authors and publishers voluntarily provide free PDF versions of their work, but its essential to be cautious and verify the authenticity of the source before downloading Takeuchi Tb180fr Compact Excavator Parts Manual. In conclusion, the internet offers numerous platforms and websites that allow users to download free PDF files legally. Whether its classic literature, research papers, or magazines, there is something for everyone. The platforms mentioned in this article, such as Project Gutenberg, Open Library, Academia.edu, and Issuu, provide access to a vast collection of PDF files. However, users should always be cautious and verify the legality of the source before downloading Takeuchi Tb180fr Compact Excavator Parts Manual any PDF files. With these platforms, the world of PDF downloads is just a click away.

FAQs About Takeuchi Tb180fr Compact Excavator Parts Manual Books

How do I know which eBook platform is the best for me? Finding the best eBook platform depends on your reading preferences and device compatibility. Research different platforms, read user reviews, and explore their features before making a choice. Are free eBooks of good quality? Yes, many reputable platforms offer high-quality free eBooks, including classics and public domain works. However, make sure to verify the source to ensure the eBook credibility. Can I read eBooks without an eReader? Absolutely! Most eBook platforms offer webbased readers or mobile apps that allow you to read eBooks on your computer, tablet, or smartphone. How do I avoid digital eye strain while reading eBooks? To prevent digital eye strain, take regular breaks, adjust the font size and background color, and ensure proper lighting while reading eBooks. What the advantage of interactive eBooks? Interactive eBooks incorporate multimedia elements, quizzes, and activities, enhancing the reader engagement and providing a more immersive learning experience. Takeuchi Tb180fr Compact Excavator Parts Manual is one of the best book in our library for free trial. We provide copy of Takeuchi Tb180fr Compact Excavator Parts Manual in digital format, so the resources that you find are reliable. There are also many Ebooks of related with Takeuchi Tb180fr Compact Excavator Parts Manual. Where to download Takeuchi Tb180fr Compact Excavator Parts Manual online for free? Are you looking for Takeuchi Tb180fr Compact Excavator Parts Manual PDF? This is definitely going to save you time and cash in something you should think about. If you trying to find then search around for online. Without a doubt there are numerous these available and many of them have the freedom. However without doubt you receive whatever you purchase. An alternate way to get ideas is always to check another Takeuchi Tb180fr Compact Excavator Parts Manual. This method for see exactly what may be included and adopt these ideas to your book. This site will almost certainly help you save time and effort, money and stress. If you are looking for free books then you really should consider finding to assist you

try this. Several of Takeuchi Tb180fr Compact Excavator Parts Manual are for sale to free while some are payable. If you arent sure if the books you would like to download works with for usage along with your computer, it is possible to download free trials. The free guides make it easy for someone to free access online library for download books to your device. You can get free download on free trial for lots of books categories. Our library is the biggest of these that have literally hundreds of thousands of different products categories represented. You will also see that there are specific sites catered to different product types or categories, brands or niches related with Takeuchi Tb180fr Compact Excavator Parts Manual. So depending on what exactly you are searching, you will be able to choose e books to suit your own need. Need to access completely for Campbell Biology Seventh Edition book? Access Ebook without any digging. And by having access to our ebook online or by storing it on your computer, you have convenient answers with Takeuchi Tb180fr Compact Excavator Parts Manual To get started finding Takeuchi Tb180fr Compact Excavator Parts Manual, you are right to find our website which has a comprehensive collection of books online. Our library is the biggest of these that have literally hundreds of thousands of different products represented. You will also see that there are specific sites catered to different categories or niches related with Takeuchi Tb180fr Compact Excavator Parts Manual So depending on what exactly you are searching, you will be able to choose ebook to suit your own need. Thank you for reading Takeuchi Tb180fr Compact Excavator Parts Manual. Maybe you have knowledge that, people have search numerous times for their favorite readings like this Takeuchi Tb180fr Compact Excavator Parts Manual, but end up in harmful downloads. Rather than reading a good book with a cup of coffee in the afternoon, instead they juggled with some harmful bugs inside their laptop. Takeuchi Tb180fr Compact Excavator Parts Manual is available in our book collection an online access to it is set as public so you can download it instantly. Our digital library spans in multiple locations, allowing you to get the most less latency time to download any of our books like this one. Merely said, Takeuchi Tb180fr Compact Excavator Parts Manual is universally compatible with any devices to read.

Find Takeuchi Tb180fr Compact Excavator Parts Manual :

sony icd p520 user manual

sony dsr 80 80p service manual

[sony dsc w170 digital cameras owners manual](#)

[sony hvl f5df owners manual](#)

[sony car speaker repair](#)

sony dvd vcr combo user manual

sony google box manual

sony ha 55 service manual

[sony head unit wiring diagram](#)

sony f900 manual

sony ccd f375e service manual

[sony cybershot dsc w150 w170 camera service repair manual](#)

sony cdp c661 cd players owners manual

[sony cyber shot dsc p51 p51m service repair manual](#)

[sony cybershot h10 manual](#)

Takeuchi Tb180fr Compact Excavator Parts Manual :

Romantic Serenades for Strings A generous and unique compilation of Romantic music for string orchestra, featuring both delightful rarities and renowned masterpieces of the genre. Romantic Serenades for Strings CD1. 58'00. Pyotr Ilyich Tchaikovsky 1840-1893. Serenade for Strings Op.48. 1. I. Pezzo in forma di sonatina: Andante non troppo -. Allegro moderato. Romantic Serenades for Strings The term serenade originally signified a musical greeting, usually performed out of doors in the evening, to a beloved or a person of importance. Adagio - Romantic Serenades (1999) (Full Album) - YouTube Romantic Serenades Peter Tchaikovsky, Edvard Hagerup Grieg, Edward Wiliam Elgar, Bratislava Chamber Orchestra - Romantic Serenades - Amazon.com Music. Romantic Serenades for Strings - BRILLIANT CLASSICS ... Their performance of the Suk, a lovely work in four movements, is fine and affectionate. Some might find it a little too affectionate: some tempo changes might ... Dvořák, Suk, Elgar & Fuchs: Romantic Serenades Listen to Dvořák, Suk, Elgar & Fuchs: Romantic Serenades by Camerata Bern & Thomas Füre on Apple Music. 2000. 20 Songs. Duration: 1 hour, 55 minutes. Janáček · Kalinnikov · Tchaikovsky - Romantic Serenades ... View credits, reviews, tracks and shop for the 2018 CD release of "Romantic Serenades For Strings" on Discogs. Romantic Serenades - YouTube Mayo Clinic Family Health Book, Fifth Edition This book serves as a helpful tool to keep and reference throughout life, it also gives medical information that may be needed in an emergency. Shop now! Mayo Clinic Family Health Book, 5th Ed:... by Litin M.D., Scott With almost 1,400 pages of updated content, the Mayo Clinic Family Health Book is a comprehensive health guide for the whole family. In the completely revised ... Mayo Clinic Family Health 5th Edition With over 1.5 million copies sold, the Mayo Clinic Family Health Book is an excellent guide for understanding healthy living at all stages of life. Mayo Clinic Family Health Book, 5th Ed: Completely ... The comprehensive 5th edition of the Mayo Clinic Family Health Book draws upon the knowledge and expertise of more than 4,500 physicians, scientists and ... Mayo Clinic Family Health Book From prevention to treatment, from infancy to old age, this comprehensive health guide offers reliable, easy-to-understand information in five sections: ... Mayo Clinic family health book / The comprehensive 5th edition of the Mayo Clinic Family Health Book draws upon the knowledge and expertise of

more than 4,500 physicians, scientists and ... Mayo Clinic Family Health Book 5th Edition With almost 1,400 pages of updated content, the Mayo Clinic Family Health Book is a comprehensive health guide for the whole family. In the completely revised ... Mayo Clinic family health book A medical reference for home use prepared by the Mayo Clinic includes information on human growth, over 1000 diseases and disorders, first aid, ... Mayo Clinic Family Health Book, 5th Edition With almost 1,400 pages of updated content, the Mayo Clinic Family Health Book is a comprehensive health guide for the whole family. In the completely revised ... Mayo Clinic Family Health Book: The Ultimate Home Medical ... Mayo Clinic Family Health Book is your owner's manual for the human body. Developed by a group of more than 100 May... Starbucks Complete Training Manual | PDF | Coffee | Tea Starbucks Complete Training Manual - Free download as PDF File (.pdf), Text File (.txt) or read online for free. Starbucks Complete Training Manual. Updated Training Infographics! : r/starbucks my training was basically 12 hours of quick run-throughs of so many details. ... Simple ASA wallet approval guide pdf. 19 upvotes · 2 comments. r ... Starbucks employee training manual Starbucks employee schedule. There is always more to learn about the vast and wonderful world of coffee. The Starbucks Coffee Academy is designed to explore the ... Barista+orig+manual+sml.pdf Quick Guide To Starbucks Specialty Beverages." This brochure shows an ... Do NOT remove the screws from the bottom of your Starbucks Barista-. Rapporto- Filter. Starbucks Beverage Manual Study Flashcards Study with Quizlet and memorize flashcards containing terms like Espresso Recipe Basics* *Applies to the majority of hot espresso beverages, ... Create a group of three to five people. This guidebook will ... Around Starbucks coffee, and the theater and romance— but do it our way. First, by building a company that would achieve the balance between profit and social. Woman Prints Starbucks Training Guide to Make Drinks at ... Aug 7, 2023 — ... training manual to better represent the Starbucks drink making process. ... The primary guide appears to be a creation from a former Starbucks ... Starbucks Partner Manual Starbucks Partner Manual. Author / Uploaded; John Smith. Categories; Starbucks · Coffee · Drink · Beverages · Foods. Starbucks Barista Employee Playbook Guide ... The Ultimate Starbucks Barista Guide - Tips for... Sep 20, 2017 — The Ultimate Starbucks Barista Guide - Tips for your Starbucks training ... starbucks espresso recipe with instructions on how to make it in the ...