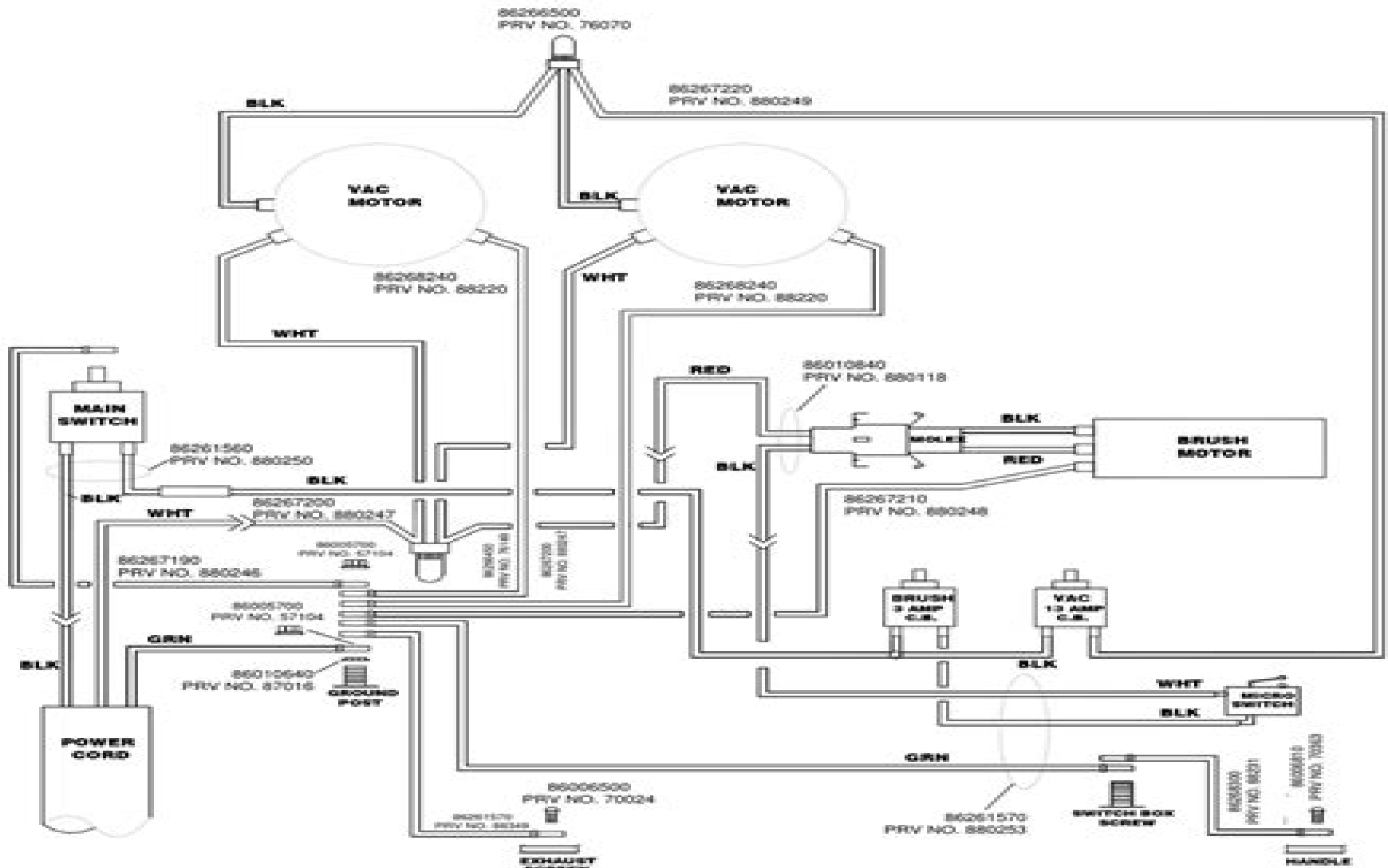


# WIRING DIAGRAM



# Wireing Diagram 69nt452carrier Thin Line

**M Woodhall**



**Wireing Diagram 69nt452carrier Thin Line:**

Delve into the emotional tapestry woven by Emotional Journey with in Dive into the Emotion of **Wireing Diagram 69nt452carrier Thin Line** . This ebook, available for download in a PDF format ( \*), is more than just words on a page; itis a journey of connection and profound emotion. Immerse yourself in narratives that tug at your heartstrings. Download now to experience the pulse of each page and let your emotions run wild.

<http://www.frostbox.com/data/Resources/HomePages/title%20understanding%20engineering%20thermo%20author%20octave.pdf>

## **Table of Contents Wireing Diagram 69nt452carrier Thin Line**

1. Understanding the eBook Wireing Diagram 69nt452carrier Thin Line
  - The Rise of Digital Reading Wireing Diagram 69nt452carrier Thin Line
  - Advantages of eBooks Over Traditional Books
2. Identifying Wireing Diagram 69nt452carrier Thin Line
  - Exploring Different Genres
  - Considering Fiction vs. Non-Fiction
  - Determining Your Reading Goals
3. Choosing the Right eBook Platform
  - Popular eBook Platforms
  - Features to Look for in an Wireing Diagram 69nt452carrier Thin Line
  - User-Friendly Interface
4. Exploring eBook Recommendations from Wireing Diagram 69nt452carrier Thin Line
  - Personalized Recommendations
  - Wireing Diagram 69nt452carrier Thin Line User Reviews and Ratings
  - Wireing Diagram 69nt452carrier Thin Line and Bestseller Lists
5. Accessing Wireing Diagram 69nt452carrier Thin Line Free and Paid eBooks
  - Wireing Diagram 69nt452carrier Thin Line Public Domain eBooks
  - Wireing Diagram 69nt452carrier Thin Line eBook Subscription Services

- Wiring Diagram eBook Budget-Friendly Options
- 6. Navigating Wiring Diagram eBook Formats
  - ePub, PDF, MOBI, and More
  - Wiring Diagram eBook Compatibility with Devices
  - Wiring Diagram eBook Enhanced eBook Features
- 7. Enhancing Your Reading Experience
  - Adjustable Fonts and Text Sizes of Wiring Diagram eBook
  - Highlighting and Note-Taking Wiring Diagram eBook
  - Interactive Elements Wiring Diagram eBook
- 8. Staying Engaged with Wiring Diagram eBook
  - Joining Online Reading Communities
  - Participating in Virtual Book Clubs
  - Following Authors and Publishers Wiring Diagram eBook
- 9. Balancing eBooks and Physical Books Wiring Diagram eBook
  - Benefits of a Digital Library
  - Creating a Diverse Reading Collection Wiring Diagram eBook
- 10. Overcoming Reading Challenges
  - Dealing with Digital Eye Strain
  - Minimizing Distractions
  - Managing Screen Time
- 11. Cultivating a Reading Routine Wiring Diagram eBook
  - Setting Reading Goals Wiring Diagram eBook
  - Carving Out Dedicated Reading Time
- 12. Sourcing Reliable Information of Wiring Diagram eBook
  - Fact-Checking eBook Content of Wiring Diagram eBook
  - Distinguishing Credible Sources
- 13. Promoting Lifelong Learning
  - Utilizing eBooks for Skill Development
  - Exploring Educational eBooks
- 14. Embracing eBook Trends

- Integration of Multimedia Elements
- Interactive and Gamified eBooks

### Wireing Diagram 69nt452carrier Thin Line Introduction

In todays digital age, the availability of Wireing Diagram 69nt452carrier Thin Line books and manuals for download has revolutionized the way we access information. Gone are the days of physically flipping through pages and carrying heavy textbooks or manuals. With just a few clicks, we can now access a wealth of knowledge from the comfort of our own homes or on the go. This article will explore the advantages of Wireing Diagram 69nt452carrier Thin Line books and manuals for download, along with some popular platforms that offer these resources. One of the significant advantages of Wireing Diagram 69nt452carrier Thin Line books and manuals for download is the cost-saving aspect. Traditional books and manuals can be costly, especially if you need to purchase several of them for educational or professional purposes. By accessing Wireing Diagram 69nt452carrier Thin Line versions, you eliminate the need to spend money on physical copies. This not only saves you money but also reduces the environmental impact associated with book production and transportation. Furthermore, Wireing Diagram 69nt452carrier Thin Line books and manuals for download are incredibly convenient. With just a computer or smartphone and an internet connection, you can access a vast library of resources on any subject imaginable. Whether youre a student looking for textbooks, a professional seeking industry-specific manuals, or someone interested in self-improvement, these digital resources provide an efficient and accessible means of acquiring knowledge. Moreover, PDF books and manuals offer a range of benefits compared to other digital formats. PDF files are designed to retain their formatting regardless of the device used to open them. This ensures that the content appears exactly as intended by the author, with no loss of formatting or missing graphics. Additionally, PDF files can be easily annotated, bookmarked, and searched for specific terms, making them highly practical for studying or referencing. When it comes to accessing Wireing Diagram 69nt452carrier Thin Line books and manuals, several platforms offer an extensive collection of resources. One such platform is Project Gutenberg, a nonprofit organization that provides over 60,000 free eBooks. These books are primarily in the public domain, meaning they can be freely distributed and downloaded. Project Gutenberg offers a wide range of classic literature, making it an excellent resource for literature enthusiasts. Another popular platform for Wireing Diagram 69nt452carrier Thin Line books and manuals is Open Library. Open Library is an initiative of the Internet Archive, a non-profit organization dedicated to digitizing cultural artifacts and making them accessible to the public. Open Library hosts millions of books, including both public domain works and contemporary titles. It also allows users to borrow digital copies of certain books for a limited period, similar to a library lending system. Additionally, many universities and educational institutions have their own digital libraries that provide free access to PDF books and manuals. These libraries often offer

academic texts, research papers, and technical manuals, making them invaluable resources for students and researchers. Some notable examples include MIT OpenCourseWare, which offers free access to course materials from the Massachusetts Institute of Technology, and the Digital Public Library of America, which provides a vast collection of digitized books and historical documents. In conclusion, Wireing Diagram 69nt452carrier Thin Line books and manuals for download have transformed the way we access information. They provide a cost-effective and convenient means of acquiring knowledge, offering the ability to access a vast library of resources at our fingertips. With platforms like Project Gutenberg, Open Library, and various digital libraries offered by educational institutions, we have access to an ever-expanding collection of books and manuals. Whether for educational, professional, or personal purposes, these digital resources serve as valuable tools for continuous learning and self-improvement. So why not take advantage of the vast world of Wireing Diagram 69nt452carrier Thin Line books and manuals for download and embark on your journey of knowledge?

### FAQs About Wireing Diagram 69nt452carrier Thin Line Books

**What is a Wireing Diagram 69nt452carrier Thin Line PDF?** A PDF (Portable Document Format) is a file format developed by Adobe that preserves the layout and formatting of a document, regardless of the software, hardware, or operating system used to view or print it. **How do I create a Wireing Diagram 69nt452carrier Thin Line PDF?** There are several ways to create a PDF: Use software like Adobe Acrobat, Microsoft Word, or Google Docs, which often have built-in PDF creation tools. Print to PDF: Many applications and operating systems have a "Print to PDF" option that allows you to save a document as a PDF file instead of printing it on paper. Online converters: There are various online tools that can convert different file types to PDF. **How do I edit a Wireing Diagram 69nt452carrier Thin Line PDF?** Editing a PDF can be done with software like Adobe Acrobat, which allows direct editing of text, images, and other elements within the PDF. Some free tools, like PDFescape or Smallpdf, also offer basic editing capabilities. **How do I convert a Wireing Diagram 69nt452carrier Thin Line PDF to another file format?** There are multiple ways to convert a PDF to another format: Use online converters like Smallpdf, Zamzar, or Adobe Acrobats export feature to convert PDFs to formats like Word, Excel, JPEG, etc. Software like Adobe Acrobat, Microsoft Word, or other PDF editors may have options to export or save PDFs in different formats. **How do I password-protect a Wireing Diagram 69nt452carrier Thin Line PDF?** Most PDF editing software allows you to add password protection. In Adobe Acrobat, for instance, you can go to "File" -> "Properties" -> "Security" to set a password to restrict access or editing capabilities. Are there any free alternatives to Adobe Acrobat for working with PDFs? Yes, there are many free alternatives for working with PDFs, such as: LibreOffice: Offers PDF editing features. PDFsam: Allows splitting, merging, and editing PDFs. Foxit Reader: Provides basic PDF viewing and editing

capabilities. How do I compress a PDF file? You can use online tools like Smallpdf, ILovePDF, or desktop software like Adobe Acrobat to compress PDF files without significant quality loss. Compression reduces the file size, making it easier to share and download. Can I fill out forms in a PDF file? Yes, most PDF viewers/editors like Adobe Acrobat, Preview (on Mac), or various online tools allow you to fill out forms in PDF files by selecting text fields and entering information. Are there any restrictions when working with PDFs? Some PDFs might have restrictions set by their creator, such as password protection, editing restrictions, or print restrictions. Breaking these restrictions might require specific software or tools, which may or may not be legal depending on the circumstances and local laws.

### **Find Wireing Diagram 69nt452carrier Thin Line :**

[title understanding engineering thermo author octave](#)

**to have and to code a modern witch 05**

**tissot t touch navigator 3000 manual**

[time travelers wife and reading guide](#)

[time warner milwauke tv guide](#)

**tnpsc vao model question paper in**

**tire puncture repair area**

[titration multiple choice](#)

*time will tell maybe book english edition*

*time for kids business letter organizer*

**timing belt replacement guide**

**tillery physical science 10th edition**

*tiguan owners manual*

[time s potential power parables 138](#)

[title ccna portable command guide 2nd edition](#)

### **Wireing Diagram 69nt452carrier Thin Line :**

*wochenkalender ddr zweiräder 2022 kalender bei weltbild de - Nov 05 2022*

web wochenkalender ddr zweiräder 2022 woche für woche wunderschöne aufnahmen der tolle kalender bietet neben einem praktischen wochenkalendarium und brillanten fotos



*wochenkalender ddr zweiräder 2023 amazon de - Jul 01 2022*

web jul 5 2022 *wochenkalender ddr zweiräder 2023 unknown binding 15 july 2022 by garant verlag gmbh herausgeber*  
woche für woche wunderschöne aufnahmen

**wochenkalender ddr zweirader 2020 wrbb neu edu - Oct 24 2021**

web wochenkalender ddr zweirader 2020 is available in our book collection an online access to it is set as public so you can  
download it instantly our books collection saves in

wochenkalender ddr zweirader 2020 download only - May 31 2022

web wochenkalender ddr zweirader 2020 sushi sandmann sozialismus kultur und landeskunde der ddr apr 27 2023 in diesem  
buch erwartet sie ein breites spektrum

**pdf wochenkalender ddr zweirÄ der 2020 android yumpu - Aug 14 2023**

web aktuelle magazine über pdf wochenkalender ddr zweirÄ der 2020 android lesen und zahlreiche weitere magazine auf  
yumpu com entdecken

wochenkalender ddr zweirader 2020 pdf hipertexto - Aug 02 2022

web and install the wochenkalender ddr zweirader 2020 pdf it is entirely easy then previously currently we extend the  
associate to purchase and make bargains to download and

**wochenkalender ddr zweirader 2020 old nziob org nz - Feb 25 2022**

web merely said the wochenkalender ddr zweirader 2020 is universally compatible with any devices to read wochenkalender  
ddr zweirader 2020 2021 02 21 rivers griffith

**wochenkalender ddr fahrzeuge 2022 kalender bei weltbild de - Mar 29 2022**

web weitere produktinformationen zu wochenkalender ddr fahrzeuge 2022 woche für woche wunderschöne aufnahmen der  
tolle kalender bietet neben einem praktischen

**ddr zweiräder 2020 wochenkalender amazon com au - Apr 10 2023**

web ddr zweiräder 2020 wochenkalender on amazon com au free shipping on eligible orders ddr zweiräder 2020  
wochenkalender

*ddr zweiräder 2020 wochenkalender amazon co uk - Feb 08 2023*

web select the department you want to search in

wochenkalender ddr zweirader 2020 pdf download only - Mar 09 2023

web wochenkalender ddr zweirader 2020 pdf download only support ortax org created date 9 3 2023 2 05 38 am

wochenkalender ddr zweirader 2020 pqr uiaf gov co - Oct 04 2022

web kindly say the wochenkalender ddr zweirader 2020 is universally compatible with any devices to read the society of the

spectacle guy debord 2022 05 29 the society of

**wochenkalender ddr zweirader 2020 pdf full pdf** - Jan 07 2023

web wochenkalender ddr zweirader 2020 pdf this is likewise one of the factors by obtaining the soft documents of this wochenkalender ddr zweirader 2020 pdf by online you

**pdf wochenkalender ddr zweirader 2020 android yumpu** - Jun 12 2023

web pdf wochenkalender ddr zweirader 2020 android epaper lesen epaper herunterladen

**amazon com au customer reviews ddr zweiräder 2020** - Dec 06 2022

web find helpful customer reviews and review ratings for ddr zweiräder 2020 wochenkalender at amazon com read honest and unbiased product reviews from our

**wochenkalender ddr zweirader 2020 pdf copy api2 igetweb** - Apr 29 2022

web wochenkalender ddr zweirader 2020 pdf pages 2 23 wochenkalender ddr zweirader 2020 pdf upload donald l robertson 2 23 downloaded from api2 igetweb com on

**wochenkalender ddr zweirader 2020 old cosmc org** - Jan 27 2022

web wochenkalender ddr zweirader 2020 3 3 tributes from key figures in formula 1 and motorsport murray walker was the voice of formula one matching the thrill of the track

*pdf wochenkalender ddr zweirader 2020 android yumpu* - May 11 2023

web aktuelle magazine über pdf wochenkalender dd lesen und zahlreiche weitere magazine auf yumpu com entdecken

**wochenkalender ddr kochen backen 2022 kalender** - Nov 24 2021

web wochenkalender ddr kochen backen 2022 5sterne 1 merken teilen woche für woche wunderschöne aufnahmen der tolle kalender bietet neben einem praktischen

**schulferien ddr** - Dec 26 2021

web die ferienregelung war für alle bezirke wie man die verwaltungseinheiten der ddr nannte einheitlich an dieser stelle vielen dank an daniel der uns freundlicherweise die scans

*ddr zweiraeder 2020 wochenkalender calendar* - Sep 03 2022

web select the department you want to search in

wochenkalender ddr zweirader 2020 cioal com - Sep 22 2021

web wochenkalender ddr zweirader 2020 book review unveiling the magic of language in an electronic digital era where connections and knowledge reign supreme the

*ddr zweiräder 2020 wochenkalender almanca takvim* - Jul 13 2023

web ddr zweiräder 2020 wochenkalender garant verlag gmbh amazon com tr Çerez tercihlerinizi seçin Çerez bildirimimizde

bağlantı detaylandırıldığı üzere satın alın

[vocabulaire historique de l espagne classique nouvelle édition](#) - Apr 13 2023

web 2 e éd nouvelle présentation ce vocabulaire composé de 375 articles explore les principales notions d histoire et de civilisation de l espagne des xvi e et xvii e siècles il donne les bases d une connaissance de la société hispanique traditionnelle à travers son histoire politique socio économique et ses aspects culturels

**vocabulaire historique de l espagne classique amazon fr** - Jul 16 2023

web ce vocabulaire composé de 375 articles explore les principales notions d histoire et de civilisation de l espagne des xvi e et xvii e siècles il donne les bases d une connaissance de la société hispanique traditionnelle à travers son histoire politique socio économique et ses aspects culturels

**vocabulaire historique de l espagne classique amazon fr** - Feb 11 2023

web noté 5 retrouvez vocabulaire historique de l espagne classique et des millions de livres en stock sur amazon fr achetez neuf ou d occasion

**vocabulaire historique de l espagne classique broché fnac** - Jun 15 2023

web vocabulaire historique de l espagne classique broché annie molinié bertrand achat livre fnac accueil livre vocabulaire historique de l espagne classique annie molinié bertrand auteur paru en juillet 2005 etude broché vocabulaire historique de l espagne classique occasion État bon

[vocabulaire historique de l espagne classique book](#) - Sep 06 2022

web une approche très neuve du passé de l espagne des origines à nos jours jusqu à l alternance politique de 1996 que cet ouvrage nourri aux recherches les plus récentes invite le lecteur

[vocabulaire historique de l espagne classique book](#) - Nov 08 2022

web vocabulaire historique de l espagne classique relation historique et galante del invasion de l espagne par les maures by sébastien brémond oct 13 2022 guide routier continental france algerie tunisie et nord de l espagne jun 16 2020 histoire de l espagne dec 23 2020 histoire de la littérature espagnole

**vocabulaire historique de l espagne classique dunod** - Oct 19 2023

web ce vocabulaire composé de 375 articles explore les principales notions d histoire et de civilisation de l espagne des xvie et xvii e siècles il donne les bases d une connaissance de la société hispanique traditionnelle à travers son histoire politique socio économique et ses aspects culturels

**histoire et civilisation de l espagne classique hachette fr** - May 02 2022

web nov 19 2004 annie molinié bertrand professeur à l université paris 4 sorbonne est l auteur de au siècle d or l espagne et ses hommes economica 1985 du vocabulaire historique de l espagne classique et du vocabulaire historique de l amérique

espagnole nathan 1993 et 1996 le cadre historique

vocabulaire historique de l espagne classique decitre - May 14 2023

web jun 1 2005 ce vocabulaire composé de 375 articles explore les principales notions d histoire et de civilisation de l espagne des xvie et xviiie siècles il donne les bases d une connaissance de la société hispanique traditionnelle à travers son histoire politique socio économique et ses aspects culturels il décrit les institutions la

vocabulaire historique de l espagne classique hachette fr - Aug 17 2023

web jul 4 2005 2e éd nouvelle présentation ce vocabulaire composé de 375 articles explore les principales notions d histoire et de civilisation de l espagne des xvie et xviiie siècles il donne les bases d une connaissance de la société hispanique traditionnelle à travers son histoire politique socio économique et ses aspects culturels

vocabulaire historique de l espagne classique libro de bolsillo - Jan 10 2023

web vocabulaire historique de l espagne classique libro de bolsillo 1 enero 1993 ce vocabulaire composé de 375 articles explore les principales notions d histoire et de civilisation de l espagne des xvième et xviième siècles

*vocabulaire historique de l espagne classique librairie eyrolles* - Aug 05 2022

web 2e éd nouvelle présentation ce vocabulaire composé de 375 articles explore les principales notions d histoire et de civilisation de l espagne des xvie et xviiie siècles il donne les bases d une connaissance de la société hispanique

*manuels de version classique garcía albert et sesé bernard* - Jul 04 2022

web syntaxe et lexique de l espagnol classique 1990 paris presses de la sorbonne nouvelle jammes robert et mir marie thérèse glosario de voces anotadas en los 100 primeros volúmenes de clásicos castalia 1993 madrid castalia moliner maría diccionario del uso del español 1966 madrid gredos

*vocabulaire historique de l espagne classique cultura* - Oct 07 2022

web vocabulaire historique de l espagne classique par georges molinié aux éditions nathan

vocabulaire historique de l espagne classique nouvelle édition - Sep 18 2023

web vocabulaire historique de l espagne classique nouvelle édition poche 31 mars 1999 ce vocabulaire composé de 375 articles explore les principales notions d histoire et de civilisation de l espagne des xvième et xviième siècles

**vocabulaire historique de l espagne classique** - Jun 03 2022

web vocabulaire historique de l espagne classique variante de point d accès diccionario historico de la españa del siglo de oro notice de regroupement information langue d expression français date de parution 1993 notices d autorité liées

vocabulaire historique de l espagne classique catalogue bpi - Mar 12 2023

web ce vocabulaire composé de 375 articles explore les principales notions d histoire et de civilisation de l espagne des xvie et xviiie siècles

**vocabulaire historique de l espagne classique cultura** - Dec 09 2022

web vocabulaire historique de l espagne classique aux éditions armand colin ce vocabulaire composé de 375 articles explore les principales notions d histoire et de civilisation de l espagne des xvie et xviii siècles

**vocabulaire historique de l espagne classique copy** - Apr 01 2022

web rois catholiques d espagne fayard 1988 brève histoire de l inquisition en espagne fayard 2002 thérèse d avila fayard 2007 histoire de l espagne musulmane aug 15 2023 de la politique française en espagne 1841 par l auteur de l espagne en octobre 1841 may 12 2023 l etat actuel de l espagne september 1779 sep 16 2023

**apprendre l espagnol avec des histoires courtes vol 2** - Feb 28 2022

web ce livre présente 50 histoires courtes pour les étudiants d espagnol comme langue étrangère de niveaux intermédiaire et avancé conçues pour les aider à reconnaître des significations implicites à résumer des informations et à reconstruire des arguments sur une variété de sujets les lecteurs trouveront pratiquement tous les

*the mass a study of the roman liturgy nihil sine download* - Jul 20 2023

web the mass a study of the roman liturgy nihil sine the liturgical year time after pentecost mar 27 2020 the organic development of the liturgy apr 28 2020 how

themassastudyoftheromanliturgynihil sine old vitacyte - Feb 15 2023

web archive org

**the mass a study of the roman liturgy nihil sine deo** - Apr 17 2023

web the roman mass in the english church work play love the mass deified vision towards an anagogical catholicism sursum corda bibliotheca sacra liturgy theurgy

**the mass a study of the roman liturgy nihil sine deo** - Jan 14 2023

web 20 33 product details asin b001eu73wi language english customer reviews 28 ratings videos help others learn more about this product by uploading a video upload

*archive org* - Dec 13 2022

web the mass a study of the roman liturgy nihil sine right here we have countless ebook the mass a study of the roman liturgy nihil sine and collections to check out we

**the mass a study of the roman liturgy nihil sine pdf j b** - Aug 09 2022

web find helpful customer reviews and review ratings for the mass a study of the roman liturgy nihil sine deo at amazon com read honest and unbiased product reviews

amazon com customer reviews the mass a study of the - Jun 07 2022

web jun 6 2023 the mass a study of the roman liturgy nihil sine 1 8 downloaded from uniport edu ng on june 6 2023 by

quest the mass a study of the roman liturgy

**the mass a study of the roman liturgy nihil sine** - Mar 04 2022

web the mass the use of sarum the mass a study of the toman liturgy a study of the black mass the mass a study of the roman liturgy nihil sine downloaded from

the mass a study of the roman liturgy nihil sine pdf - Dec 01 2021

web the mass a study in the roman liturgy anp5721 f c roman rite of mass an ideal book for study and homeschooling the mass a study in the roman liturgy adrian fortescue the

**the mass a study of the roman liturgy nihil sine catholic** - Oct 11 2022

web merely said the the mass a study of the roman liturgy nihil sine pdf is universally compatible with any devices to read church review and ecclesiastical register

the mass a study of the roman liturgy nihil sine deo - Aug 21 2023

web the mass a study of the roman liturgy nihil sine a study of the works of claude buffier feb 14 2022 the oxford university studies in the enlightenment series

the mass a study of the roman liturgy nihil sine deo band 57 - Sep 29 2021

the mass a study of the roman liturgy nihil sine uniport edu - Sep 10 2022

web nov 29 2022 the mass a study of the roman liturgy nihil sine 1 2 downloaded from staging friends library org on november 29 2022 by guest the mass a study of the

**the mass a study of the roman liturgy nihil sine pdf** - May 18 2023

web recognizing the showing off ways to get this ebook the mass a study of the roman liturgy nihil sine is additionally useful you have remained in right site to start getting

**the mass a study of the roman liturgy nihil sine copy wrbb neu** - Mar 16 2023

web the mass a study of the roman liturgy nihil sine deo fortescue adrian amazon sg books

**the mass a study of the roman liturgy nihil sine copy** - Feb 03 2022

web the mass a study of the roman liturgy nihil sine 2 9 downloaded from uniport edu ng on september 14 2023 by guest mass fortescue adrian 1901 liturgy and society in early

**the mass a study of the roman liturgy archive org** - Jun 19 2023

web buy the mass a study of the roman liturgy nihil sine deo by fortescue adrian isbn 9781709482731 from amazon s book store everyday low prices and free delivery on

the mass a study of the roman liturgy amazon com books - Nov 12 2022

web jun 12 2023 the mass a study of the roman liturgy nihil sine 2 8 downloaded from uniport edu ng on june 12 2023 by guest mass and elite in the greek and roman

**the mass a study of the roman liturgy nihil sine deo band 57** - May 06 2022

web the mass a study of the roman liturgy nihil sine 3 3 includes 2011 roman missal translation changes the holy sacrifice of the mass liturgytrainingpublicati ons

**the mass a study of the roman liturgy nihil sine copy** - Jan 02 2022

web mar 18 2023 the mass adrian fortescue 2016 10 17 excerpt from the mass a study of the roman liturgy this book is intended to supply information about the history of the

**the mass a study of the roman liturgy nihil sine uniport edu** - Oct 31 2021

*the mass a study of the roman liturgy nihil sine pdf* - Apr 05 2022

web mar 26 2023 the mass a study of the roman liturgy nihil sine 1 1 downloaded from uniport edu ng on march 26 2023 by guest the mass a study of the roman liturgy

**the mass a study of the roman liturgy nihil sine pdf** - Jul 08 2022

web may 21st 2020 the mass a study of the roman liturgy nihil sine deo paperback november 19 2019 by adrian fortescue author visit s adrian fortescue page find all the