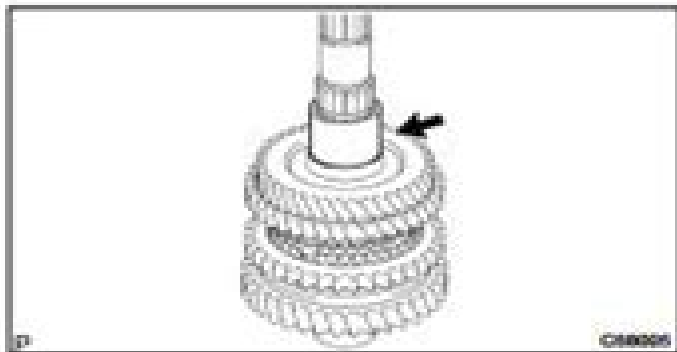


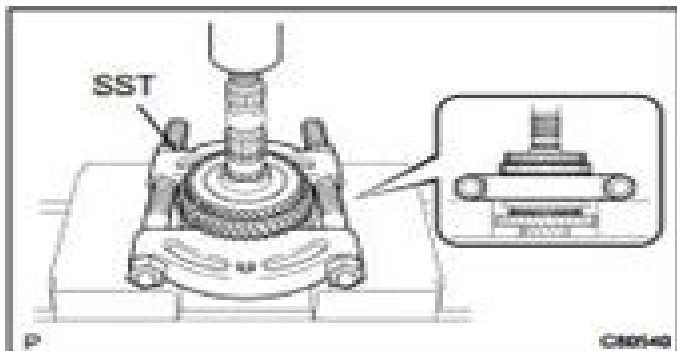
5. REMOVE 4TH DRIVEN GEAR

- (a) Using SST and a press, remove the output shaft rear bearing with 4th driven gear from the output shaft.
SST 09950-00020



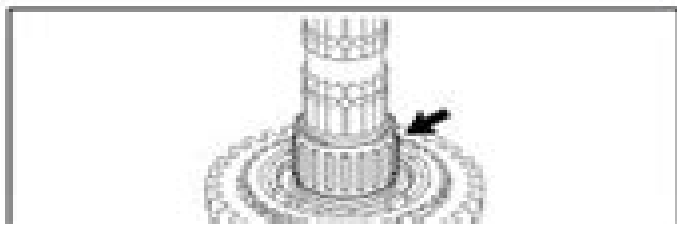
6. REMOVE OUTPUT GEAR SPACER

- (a) Remove the output gear spacer from the output shaft.



7. REMOVE 2ND GEAR

- (a) Using SST and a press, remove the 3rd driven gear with 2nd gear from the output shaft.
SST 09950-00020



8. REMOVE 2ND GEAR NEEDLE ROLLER BEARING

- (a) Remove the 2nd gear needle roller bearing from the output shaft.

Toyota Corolla Repair Manual Change Break Lights

Lei Shi



Toyota Corolla Repair Manual Change Break Lights:

Toyota Corolla Service Manual, 1980, 1981, 1982, 1983 ,1983 The Toyota Truck Land Cruiser Owner s Bible TM is the authoritative companion book for your Toyota truck whether it s a heavy hauling pickup rugged off road FJ40 or a new Land Cruiser that s never left pavement Author veteran truck mechanic and off road expert Moses Ludel has written the only comprehensive source of information for Toyota Trucks and Land Cruisers a history buyer s guide service manual and high performance tuning book all in one Discover every aspect of Toyota trucks from their origins in 1958 to the latest technological advances You ll learn tips for buying the right new or used truck and which accessories make sense for your needs Step by step procedures with hundreds of photos cover basic maintenance and more complicated work like tune ups valve adjustments brake jobs and installing aftermarket suspension lift kits Get the hot set up for your truck whether you want low end torque or high RPM power Moses gives specific tuning recommendations for engines from the early inline 6s to the advanced 4 5L 24 valve DJ engine He shares expert insights into the best high performance components and the latest technology from Toyota Racing Development You ll also find suspension and chassis modifications and the best tire and wheel combinations [Toyota Corolla 1600 Service Manual](#) Robert Bentley, inc,Robert Bently Publishers,Robert Bentley,1979 This Manual covers all the Corolla cars with the 1600 engine that have been sold in the United States and Canada for the Model Years 1975 1976 1977 1978 and 1979 *Chilton's Toyota Corolla 1970-87 Repair Manual* Chilton Book Company,1995 Total Car Care is the most complete step by step automotive repair manual you ll ever use All repair procedures are supported by detailed specifications exploded views and photographs [Chilton's Foreign Car Repair Manual](#) Chilton Book Company,1971 Complete service and repair procedures for BMW including 2002 Volkswagen including Super Beetle Mercedes Benz including diesel engine service Audi Porsche including 914 Volvo including 164 Saab including 99 Fiat Opel including G T Alfa Romeo [Toyota, Corolla](#) Alan Ahlstrand,1979 [Motor Imported Car Repair Manual](#) ,1987 [Popular Mechanics](#) ,1978-01 Popular Mechanics inspires instructs and influences readers to help them master the modern world Whether it s practical DIY home improvement tips gadgets and digital technology information on the newest cars or the latest breakthroughs in science PM is the ultimate guide to our high tech lifestyle **Popular Mechanics** ,1978-05 Popular Mechanics inspires instructs and influences readers to help them master the modern world Whether it s practical DIY home improvement tips gadgets and digital technology information on the newest cars or the latest breakthroughs in science PM is the ultimate guide to our high tech lifestyle **Gale's Auto Sourcebook** ,1992 Guide to information on cars and light trucks **Toyota Gas Pedals** United States. Congress. House. Committee on Oversight and Government Reform,2010 *Popular Mechanics* ,1984-02 Popular Mechanics inspires instructs and influences readers to help them master the modern world Whether it s practical DIY home improvement tips gadgets and digital technology information on the newest cars or the latest breakthroughs in science PM is the ultimate guide to our high tech lifestyle

Chilton's Repair & Tune-up Guide, Toyota Corolla/Carina, Tercel/Starlet, 1970-84 Chilton Book Company,1985

Popular Mechanics ,1984-03 Popular Mechanics inspires instructs and influences readers to help them master the modern world Whether it s practical DIY home improvement tips gadgets and digital technology information on the newest cars or the latest breakthroughs in science PM is the ultimate guide to our high tech lifestyle Chilton's Import Car Repair Manual, 1975-81 Chilton Automotive Books,1981-04 Each section contains car identification service procedures and specifications Areas covered include electrical system engine rebuilding troubleshooting cooling systems emission controls fuel systems transmissions turbocharging diesel engines clutches transaxles differentials suspension steering brakes and fuel injection *Popular Mechanics* ,1983-04 Popular Mechanics inspires instructs and influences readers to help them master the modern world Whether it s practical DIY home improvement tips gadgets and digital technology information on the newest cars or the latest breakthroughs in science PM is the ultimate guide to our high tech lifestyle Chilton's Import Auto Service Manual ,2000 Contains general information for technicians on the specifications MIL resetting and DTC retrieval accessory drive belts timing belts brakes oxygen sensors electric cooling fans and heater cores of twenty one types of import cars **Chilton's Import Car Repair Manual** Chilton Automotive Editorial Staff,Chilton Book Company,1979 This book includes repair information on cars and light trucks Includes specifications tune ups troubleshooting and diagnosis engine rebuilding emissions controls brakes transmissions and more Chilton's Repair & Tune-up Guide, Toyota Corolla, Carina, Tercel, Starlet, 1970-81 ,1981 *Popular Mechanics* ,1978-04 Popular Mechanics inspires instructs and influences readers to help them master the modern world Whether it s practical DIY home improvement tips gadgets and digital technology information on the newest cars or the latest breakthroughs in science PM is the ultimate guide to our high tech lifestyle **Lemon-Aid New Cars and Trucks 2011** Phil Edmonston,2010-11-11 As U S and Canadian automakers and dealers face bankruptcy and Toyota battles unprecedented quality control problems Lemon Aid guides steer the confused and anxious buyer through the economic meltdown unlike any other car and truck books on the market Phil Edmonston Canada s automotive Dr Phil for more than 40 years pulls no punches In this all new guide he says Chrysler s days are numbered with the dubious help of Fiat Electric cars and ethanol power are PR gimmicks Diesel and natural gas are the future Be wary of zombie vehicles Jaguar Land Rover Saab and Volvo Mercedes Benz rich cars poor quality There s only one Saturn you should buy Toyota enough apologies when you mess up fess up

Thank you for reading **Toyota Corolla Repair Manual Change Break Lights**. Maybe you have knowledge that, people have look numerous times for their chosen books like this Toyota Corolla Repair Manual Change Break Lights, but end up in harmful downloads.

Rather than enjoying a good book with a cup of tea in the afternoon, instead they juggled with some infectious bugs inside their laptop.

Toyota Corolla Repair Manual Change Break Lights is available in our book collection an online access to it is set as public so you can download it instantly.

Our book servers hosts in multiple locations, allowing you to get the most less latency time to download any of our books like this one.

Merely said, the Toyota Corolla Repair Manual Change Break Lights is universally compatible with any devices to read

http://www.frostbox.com/results/scholarship/Download_PDFS/steelseries_62033_mice_owners_manual.pdf

Table of Contents Toyota Corolla Repair Manual Change Break Lights

1. Understanding the eBook Toyota Corolla Repair Manual Change Break Lights
 - The Rise of Digital Reading Toyota Corolla Repair Manual Change Break Lights
 - Advantages of eBooks Over Traditional Books
2. Identifying Toyota Corolla Repair Manual Change Break Lights
 - Exploring Different Genres
 - Considering Fiction vs. Non-Fiction
 - Determining Your Reading Goals
3. Choosing the Right eBook Platform
 - Popular eBook Platforms
 - Features to Look for in an Toyota Corolla Repair Manual Change Break Lights
 - User-Friendly Interface
4. Exploring eBook Recommendations from Toyota Corolla Repair Manual Change Break Lights

- Personalized Recommendations
 - Toyota Corolla Repair Manual Change Break Lights User Reviews and Ratings
 - Toyota Corolla Repair Manual Change Break Lights and Bestseller Lists
5. Accessing Toyota Corolla Repair Manual Change Break Lights Free and Paid eBooks
 - Toyota Corolla Repair Manual Change Break Lights Public Domain eBooks
 - Toyota Corolla Repair Manual Change Break Lights eBook Subscription Services
 - Toyota Corolla Repair Manual Change Break Lights Budget-Friendly Options
 6. Navigating Toyota Corolla Repair Manual Change Break Lights eBook Formats
 - ePub, PDF, MOBI, and More
 - Toyota Corolla Repair Manual Change Break Lights Compatibility with Devices
 - Toyota Corolla Repair Manual Change Break Lights Enhanced eBook Features
 7. Enhancing Your Reading Experience
 - Adjustable Fonts and Text Sizes of Toyota Corolla Repair Manual Change Break Lights
 - Highlighting and Note-Taking Toyota Corolla Repair Manual Change Break Lights
 - Interactive Elements Toyota Corolla Repair Manual Change Break Lights
 8. Staying Engaged with Toyota Corolla Repair Manual Change Break Lights
 - Joining Online Reading Communities
 - Participating in Virtual Book Clubs
 - Following Authors and Publishers Toyota Corolla Repair Manual Change Break Lights
 9. Balancing eBooks and Physical Books Toyota Corolla Repair Manual Change Break Lights
 - Benefits of a Digital Library
 - Creating a Diverse Reading Collection Toyota Corolla Repair Manual Change Break Lights
 10. Overcoming Reading Challenges
 - Dealing with Digital Eye Strain
 - Minimizing Distractions
 - Managing Screen Time
 11. Cultivating a Reading Routine Toyota Corolla Repair Manual Change Break Lights
 - Setting Reading Goals Toyota Corolla Repair Manual Change Break Lights
 - Carving Out Dedicated Reading Time
 12. Sourcing Reliable Information of Toyota Corolla Repair Manual Change Break Lights

- Fact-Checking eBook Content of Toyota Corolla Repair Manual Change Break Lights
 - Distinguishing Credible Sources
13. Promoting Lifelong Learning
- Utilizing eBooks for Skill Development
 - Exploring Educational eBooks
14. Embracing eBook Trends
- Integration of Multimedia Elements
 - Interactive and Gamified eBooks

Toyota Corolla Repair Manual Change Break Lights Introduction

Toyota Corolla Repair Manual Change Break Lights Offers over 60,000 free eBooks, including many classics that are in the public domain. Open Library: Provides access to over 1 million free eBooks, including classic literature and contemporary works. Toyota Corolla Repair Manual Change Break Lights Offers a vast collection of books, some of which are available for free as PDF downloads, particularly older books in the public domain. Toyota Corolla Repair Manual Change Break Lights : This website hosts a vast collection of scientific articles, books, and textbooks. While it operates in a legal gray area due to copyright issues, its a popular resource for finding various publications. Internet Archive for Toyota Corolla Repair Manual Change Break Lights : Has an extensive collection of digital content, including books, articles, videos, and more. It has a massive library of free downloadable books. Free-eBooks Toyota Corolla Repair Manual Change Break Lights Offers a diverse range of free eBooks across various genres. Toyota Corolla Repair Manual Change Break Lights Focuses mainly on educational books, textbooks, and business books. It offers free PDF downloads for educational purposes. Toyota Corolla Repair Manual Change Break Lights Provides a large selection of free eBooks in different genres, which are available for download in various formats, including PDF. Finding specific Toyota Corolla Repair Manual Change Break Lights, especially related to Toyota Corolla Repair Manual Change Break Lights, might be challenging as theyre often artistic creations rather than practical blueprints. However, you can explore the following steps to search for or create your own Online Searches: Look for websites, forums, or blogs dedicated to Toyota Corolla Repair Manual Change Break Lights, Sometimes enthusiasts share their designs or concepts in PDF format. Books and Magazines Some Toyota Corolla Repair Manual Change Break Lights books or magazines might include. Look for these in online stores or libraries. Remember that while Toyota Corolla Repair Manual Change Break Lights, sharing copyrighted material without permission is not legal. Always ensure youre either creating your own or obtaining them from legitimate sources that allow sharing and downloading. Library Check if your local library offers eBook lending services. Many libraries have digital catalogs where you can borrow Toyota Corolla

Repair Manual Change Break Lights eBooks for free, including popular titles. Online Retailers: Websites like Amazon, Google Books, or Apple Books often sell eBooks. Sometimes, authors or publishers offer promotions or free periods for certain books. Authors Website Occasionally, authors provide excerpts or short stories for free on their websites. While this might not be the Toyota Corolla Repair Manual Change Break Lights full book, it can give you a taste of the authors writing style. Subscription Services Platforms like Kindle Unlimited or Scribd offer subscription-based access to a wide range of Toyota Corolla Repair Manual Change Break Lights eBooks, including some popular titles.

FAQs About Toyota Corolla Repair Manual Change Break Lights Books

How do I know which eBook platform is the best for me? Finding the best eBook platform depends on your reading preferences and device compatibility. Research different platforms, read user reviews, and explore their features before making a choice. Are free eBooks of good quality? Yes, many reputable platforms offer high-quality free eBooks, including classics and public domain works. However, make sure to verify the source to ensure the eBook credibility. Can I read eBooks without an eReader? Absolutely! Most eBook platforms offer web-based readers or mobile apps that allow you to read eBooks on your computer, tablet, or smartphone. How do I avoid digital eye strain while reading eBooks? To prevent digital eye strain, take regular breaks, adjust the font size and background color, and ensure proper lighting while reading eBooks. What the advantage of interactive eBooks? Interactive eBooks incorporate multimedia elements, quizzes, and activities, enhancing the reader engagement and providing a more immersive learning experience. Toyota Corolla Repair Manual Change Break Lights is one of the best book in our library for free trial. We provide copy of Toyota Corolla Repair Manual Change Break Lights in digital format, so the resources that you find are reliable. There are also many Ebooks of related with Toyota Corolla Repair Manual Change Break Lights. Where to download Toyota Corolla Repair Manual Change Break Lights online for free? Are you looking for Toyota Corolla Repair Manual Change Break Lights PDF? This is definitely going to save you time and cash in something you should think about.

Find Toyota Corolla Repair Manual Change Break Lights :

steelseries 62033 mice owners manual

stephanie laurens italiano

stephen van evera guide to methods

steel construction manual 9th edition

std 9 maths navneet guide

stealth rt manual

stella bruzzi new documentary

statistics management 7th edition richard levin

steve kluge the ellipse answer key

stealth hawk protocol manual helicopter

statspin vt service manual

steris operator manual

steris reliance synergy operator manual

statistical mechanics donald allan mcquarrie solutions

steel handbook canada 10th edition

Toyota Corolla Repair Manual Change Break Lights :

sunjoe sjh902e electric telescoping pole hedge trimmer manual - Jul 31 2022

web read the owner s manual and safety instructions carefully before operating the electric pole hedge trimmer compare the illustration below to the electric pole hedge trimmer in order to become familiar with the location of the various controls and adjustments save this manual for future reference cutting blade

sunjoe hj605cc operator s manual pdf download manualslib - Nov 03 2022

web view and download sunjoe hj605cc operator s manual online 7 2 volt lithium ion cordless grass shear hedge trimmer with telescoping pole hj605cc trimmer pdf manual download

hedge trimmer user manual search engine - Sep 01 2022

web the trimmer is shipped with the guard and bail handle attached to the trimmer with a plastic zip tie to assemble to trimmer cut the plastic zip tie remove the six screws that are partially run into the trimmer housing figure a minimum gauge for cord sets volts total length of cord in feet 120v 0 25 26 50 51 100 101 150

partner hedge trimmer manual by wachitasheika223 issuu - Apr 08 2023

web oct 24 2017 get partner hedge trimmer manual pdf file for free from our online library related pdfs for partner hedge trimmer manual partner hedge trimmer manual download file type pdf

ipl partner hg55 12 1997 01 hedge trimmer yumpu - Sep 13 2023

web aug 15 2013 ipl partner hg55 12 1997 01 hedge trimmer en english deutsch français español português italiano român nederlands latina dansk svenska norsk magyar bahasa indonesia türkçe suomi latvian lithuanian česk operator s manual br

europaan br scandinavisch br br 530035306 br

partner hg 550 manual english page 5 manualscollection com - Jun 10 2023

web c safety instructions general precautions use the product only for the purpose for which it was designed do not use this machine for any other purpose than trimming or edging shrubs hedges or bushes always grip the machine firmly with both hands make sure you know how to stop the engine and blades if necessary see section on starting

homelite hbht2655 manual pdf download manualslib - May 29 2022

web trimmer homelite hbht25cd operator s manual 33 pages trimmer homelite hlt26cd user manual 224 pages trimmer homelite hht2655 user manual petrol hedge trimmer 14 pages trimmer homelite hht2655 user manual petrol hedge trimmer 115 pages trimmer homelite hlt25cdsnc original instructions manual

hedge trimmer parkerbrand - Feb 06 2023

web this manual contains an overall description of the product together with all the necessary information for using the product correctly and safely it is highly recommended that this manual is read prior to any operation or maintenance of this product

pole saw vs hedge trimmer uses benefits gardening bank - Mar 27 2022

web dec 4 2020 the battery powered hedge trimmer has 22 inch laser cut hooked tooth blade design trimmers for plants have a compact and lightweight design part of the 20v max system of tools tool only product battery and

sunjoe sjh901e operator s manual pdf download - Jan 05 2023

web know your electric telescoping pole hedge trimmer read the owner s manual and safety instructions carefully before operating the electric pole hedge trimmer compare the illustration below to the electric pole hedge trimmer in order to become familiar with the location of the various controls and adjustments

ipl partner hg55 12 1997 01 hedge trimmer motoruf - Aug 12 2023

web l 2 service reference crankcase cylinder assemblies page 1 when replacing the cylinder crankcase or gasket refer to the illustrations below and order accordingly

free trimmer user manuals manualsonline com - Oct 02 2022

web king canada trimmer manuals showing brands 1 50 of 111 garden product manuals and free pdf instructions find the user manual you need for your lawn and garden product and more at manualsonline

partner hedge trimmer manual by jonshon39oredo issuu - May 09 2023

web oct 5 2017 get partner hedge trimmer manual pdf file for free from our online library related pdfs for partner hedge trimmer manual partner hedge trimmer manual download file type pdf

partner hedge trimmer parts and spares ransom spares - Dec 04 2022

web buy genuine partner hedge trimmer parts from an authorised dealer simple to fit with our tutorial videos price match promise next day delivery

hedge manual partner trimmers - Feb 23 2022

web hedge manual partner trimmers collection sharon e 02 aug 27 066 views 964 250 964k the technical storage or access is necessary for the legitimate purpose of storing preferences that are not requested by the subscriber or user education [om partner hg550 953900593 2006 05 hedge trimmer en](#) - Oct 14 2023

web use the hedge trimmer properly in order to avoid injuries follow the instructions and precautions for reasonably safe efficient use of the product it is the responsibility of the user to follow the instructions and precautions provided in the manual supplied with the product note the illustrations at the beginning of the manual

[titan ttb826hdc manual pdf download manualslib](#) - Apr 27 2022

web view and download titan ttb826hdc manual online pole hedge trimmer 550w 50cm ttb826hdc trimmer pdf manual download

partner hg55 and hg55 12 hedge trimmer parts japg - Jun 29 2022

web partner hg55 hg 55 hedge trimmer cutter petrol fuel cap assembly part 530036965 577858601 13 49 11 24 ex vat

partner hg55 hg55 12 hg5616 fuel line hose pipe filter kit hedge trimmer parts 10 99 9 16 ex vat primer bulb partner hg55 hg55 12 hedge trimmer for walbro carburettors 4 49

ipl partner hg55 12 952715248 1996 01 hedge trimmer - Jul 11 2023

web klt manual must be performed by qualified service personnel 57 ref part no description ref part no description ref part no description 1 530 015810 screw shroud 26 530 027569 starter handle 50 a carburetm 2 530 038014 shroud 27 530 015886 screw fan housing 530 035306 type 1 wt 221

slp600b sm 01 owner s manual slp600b hedge trimmers - Mar 07 2023

web 2 when using your hedge trimmer do not grip other parts except the handles 3 when using your hedge trimmer never take your eyes off if you need to place the throttle into the idling position 4 when using your hedge trimmer do not let the unit get closer to your feet nor raise the unit above your waist notes on transportation a

production and operations management mcqs with answers - Sep 05 2023

web aug 28 2023 project management view answer answer a 19 and need to see each project schedule priority and use of resources to determine the most efficient

chapter 9 production and operations management 115 plays - Sep 24 2022

web production and operation management multiple choice questions 1 the expected qualities of a product are a it satisfies the needs and expectations of the customer b it

production and operation management mcq multiple choice - Jan 29 2023

web chapter 13 multiple choice questions lean agile and mass customization quiz content lean production relies on a specific throughput rate of the whole operation this is

production and operations management question - Jul 03 2023

web 1 which of the following is are important consideration s concerning activity times activity time should be obtained from the person responsible for the completion of an

chapter 4 multiple choice questions operations management - Feb 27 2023

web sep 4 2016 mcq on work done and time 1 mechanical engineering 163 organisation behaviour 25 ptu question papers 5 science 15 uncategorized 29 production

production and operations management multiple choice - Apr 19 2022

web sep 4 2016 production and operation management mcq multiple choice questions with answers admin 21 organizational models are a multinational model

production and operations management mcq with answers - Nov 26 2022

web multiple choice questions on production and operations management practice for bba or mba exams using these mcq page 6 production and operations management

production and operations management multiple choice - Oct 26 2022

web 35 qs marketing promotion test review 35 plays 9th 12th 24 qs sales process cycle 1 8k plays 9th 12th chapter 9 production and operations management quiz for 9th

300 top production operation management mcqs and - Aug 24 2022

web sep 1 2023 option 1 850

300 top production and operation management mcqs - Jun 21 2022

web mar 22 2023 prepare yourself for this amazing operations management quiz operations management refers to controlling and administering the process of production and

operations management quiz questions and answers proprofs - May 21 2022

web production and operations management 321 at level the crm process provides the framework for managing relationships with customers operational

production and operations management multiple choice - Jun 02 2023

web production and operation management multiple choice questions 1 which of the following is are important consideration s concerning activity times a activity time

solved operations management is multiple choice the chegg - Dec 16 2021

web productivity can be improved by a increasing inputs while holding outputs steady b decreasing outputs while holding inputs steady c increasing inputs and

300 top production and operation management mcqs - May 01 2023

web test and improve your knowledge of production operations management with fun multiple choice exams you can take question 1 1 which production method

chapter 13 multiple choice questions operations management - Dec 28 2022

web part 1 mcq on introduction to production and operations management is the process by which raw materials and other inputs are converted into finished goods a

production and operations management solved mcqs mcqmate - Nov 14 2021

production and operation management mcq multiple choice - Mar 19 2022

web 5 14 2019 cost accounting and control multiple choice questions mcq with answers page 2 of 2 scholarexpress 5 5 this site uses cookies to enhance your browsing

pom mcqs production and operation management - Aug 04 2023

web department of management studies question bank 18mba124 production and operations management 4 question bank question no questions po

production management mcq free pdf objective question - Jul 23 2022

web answers fsave time grow your business wondering if activecampaign is right for you start a free trial activecampaign open production and operation management

mcq on production and operation management multiple choice - Jan 17 2022

web see answer question operations management is multiple choice the management of production the management of processes o the management of services the

production operations management chapter exam study com - Mar 31 2023

web return to operations management 2e student resources chapter 4 multiple choice questions which of the following is not a physical factor that can influence the

operations management multiple choice questions and answers - Oct 06 2023

web aug 28 2023 q1 managing manufacturing and service operations are important activities a social b economic c operational d management view answer answer

production and operation management mcq multiple choice - Feb 15 2022

web production and operation management mcq wuth answer hell welcome to my learn skill youtube channel please

subscribe my channel

[modern chemistry homework 15 1 answers best writing service](#) - Mar 29 2022

web apr 1 2022 10 customer reviews modern chemistry homework 15 1 answers user id 207374 best offers your price 40 per page 360 expertise 1 888 814 4206 1 888 499

[modern chemistry homework 15 1 answers pdf](#) - Jan 07 2023

web of this modern chemistry homework 15 1 answers by online you might not require more era to spend to go to the book introduction as capably as search for them in some

modern chemistry homework 15 1 answers best writing service - May 31 2022

web modern chemistry homework 15 1 answers level college high school university master s phd undergraduate take a chance to talk directly to your writer we provide

modern chemistry homework 15 1 answers best writers - Aug 02 2022

web modern chemistry homework 15 1 answers imagenes de curriculum vitae en argentina top definition essay ghostwriters for hire for college resume builder pro

modern chemistry homework 15 1 answers best writing service - Apr 29 2022

web modern chemistry homework 15 1 answers level college high school university master s undergraduate phd nursing business and economics management

hmh modern chemistry 1st edition textbook solutions chegg com - Apr 10 2023

web step by step solution step 1 of 6 sodium is an element that has an atomic number of and is an alkali metal for a body to function properly one of the important minerals is

modern chemistry homework 15 1 answers best writing service - Oct 04 2022

web apr 1 2022 modern chemistry homework 15 1 answers if you can t write your essay then the best solution is to hire an essay helper since you need a 100 original paper to

[free solutions for modern chemistry quizlet](#) - Jul 13 2023

web our resource for modern chemistry includes answers to chapter exercises as well as detailed information to walk you through the process step by step with expert solutions

modern chemistry 9780030367861 exercise 15 quizlet - Sep 22 2021

web find step by step solutions and answers to exercise 15 from modern chemistry 9780030367861 as well as thousands of textbooks so you can move forward with

modern chemistry 1st edition solutions and answers quizlet - Jun 12 2023

web now with expert verified solutions from modern chemistry 1st edition you ll learn how to solve your toughest homework

problems our resource for modern chemistry includes

modern chemistry modern chemistry chapter test with - Dec 06 2022

web apr 29 2011 modern chemistry modern chemistry chapter test with answer key 2003 holt rinehart winston paperback 0030573572 9780030573576

modern chemistry 9780030565373 solutions and answers - Feb 08 2023

web find step by step solutions and answers to modern chemistry 9780030565373 as well as thousands of textbooks so you can move forward with confidence

modern chemistry 2nd edition solutions and answers quizlet - May 11 2023

web now with expert verified solutions from modern chemistry 2nd edition you ll learn how to solve your toughest homework problems our resource for modern chemistry includes

modern chemistry 1st edition solutions and answers quizlet - Aug 14 2023

web now with expert verified solutions from modern chemistry 1st edition you ll learn how to solve your toughest homework problems our resource for modern chemistry includes

modern chemistry homework 15 1 answers best writing service - Oct 24 2021

web modern chemistry homework 15 1 answers deadlines can be scary while writing assignments but with us you are sure to feel more confident about both the quality of

modern chemistry homework 15 1 answers best writing service - Dec 26 2021

web modern chemistry homework 15 1 answers 377 customer reviews 100 success rate 2022 essayservice all rights reserved 2456 orders prepared multiple choice

modern chemistry homework 15 1 answers top writers - Sep 03 2022

web modern chemistry homework 15 1 answers 2062 finished papers remember the longer the due date the lower the price place your order in advance for a discussion post with

modern chemistry homework 15 1 answers best writing service - Jul 01 2022

web modern chemistry homework 15 1 answers we are inclined to write as per the instructions given to you along with our understanding and background research related

modern chemistry homework 15 1 answers fast service - Nov 05 2022

web aug 23 2018 modern chemistry homework 15 1 answers name dotted handwriting paper academic integrity essay topics prompt how greasy are your potato chips

modern chemistry homework 15 1 answers fast service - Mar 09 2023

web modern chemistry homework 15 1 answers research paper alternative word ielts task 2 band 9 essay sample article on

how to write an essay professional personal

modern chemistry homework 15 1 answers best writing service - Feb 25 2022

web modern chemistry homework 15 1 answers best writing service level college university high school master s phd
undergraduate regular writer level college

modern chemistry homework 15 1 answers best writing service - Jan 27 2022

web modern chemistry homework 15 1 answers plagiarism report you are free to order a full plagiarism pdf report while
placing the order or afterwards by contacting our customer

modern chemistry homework 15 1 answers best writing service - Nov 24 2021

web mar 23 2022 modern chemistry homework 15 1 answers homework meaning in english popular thesis proposal writers
services for school cheap book review