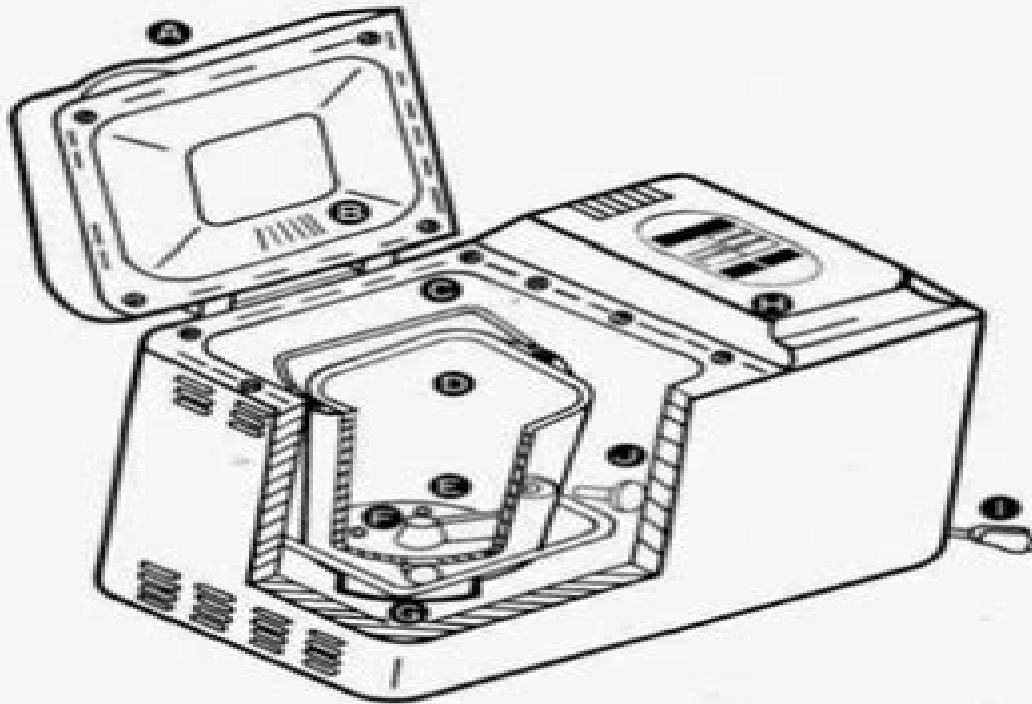

YOUR WELBILT® BREAD MACHINE



- A. Lid
- B. Steam Vent
- C. Handle
- D. Bread Pan
- E. Kneading Blade
- F. Drive Shaft
- G. Heating Element
- H. Control Panel
- I. Power Cord
- J. Dough Hook

Welbilt Bread Maker Instruction Manual

Tao Wei



Welbilt Bread Maker Instruction Manual:

Bread Lover's Bread Machine Cookbook Beth Hensperger,2000-04-30 A master baker s 300 favourite recipes for perfect every time bread from every kind of machine by master breadmaker Beth Hensperger **Gluten-Free 101** Carol Fenster,2014-01-08 The must have guide to cooking and eating gluten free Bread Machine Baking for Beginners Beth Hensperger,2023-01-10 Bread Machine Baking for Beginners delivers complete fail proof instructions on how to use a bread machine along with amazing bread recipes **Easy Breadmaking for Special Diets** Nicolette M. Dumke,1995 *My Bread Fusion* Elmer Demerin,2018-02-19 This book is content of different varieties of bread preparation It has been organized properly in order to achive your need when choosing a variation of bread products **Home Appliance Buying Guide** ,1996 **Home Appliance Buying Guide 1996 Edition** Consumer Reports,1996 Rating more than 50 types of appliances including dishwashers microwaves washing machines and electric ranges this guide helps consumers cut through the advertising hype and find appliances that truly meet their needs It also provides maintenance repair and safety advice as well as tips on how to maximize energy efficiency *Desserts from Y Brea* Lora Brody,1994-04-25 Following the huge success of Bread Machine Baking Perfect Every Time more than 100 000 copies in print Brody now turns her attention and expertise to an all new collection of foolproof sweet breads Includes Maple Walnut Sticky Buns Caramelized Banana Bread Pudding and more Spiral bound Peter McWilliams' Personal Electronics Book Peter McWilliams,1989 **Great Bread Machine Baking** Marlene Brown,1999 Food & Wine ,1988 I'm Listening Pam Mycoskie,2009-11-29 In I m Listening Pam Mycoskie teaches readers her tricks and ideas to make low fat eating fun easy and tasty She covers exercise food and nutrition and includes a range of different recipes **The Best Breads** Robert Wanless,American Cooking Guild,1994-09

Giant Book of Bread Machine Recipes Norman A. Garrett,1999 **Consumer Reports 2000 Buying Guide** Consumer Reports,Consumer Reports Books Editors,1999-11 From cars and cell phones to washing machines this book presents the most objective product information available with Consumer Reports ratings repair histories product recommendations and buying advice Buying Guide 2000 , *What's New* ,1997 **Farm Journal** ,1994 Consumer Reports 1999 Buying Guide Consumer Reports,Consumer Reports Books Editors,1998-10 From cars to cell phones to washing machines this book presents the most objective information available to the American consumer Ratings charts indices **House & Garden** ,1988

Uncover the mysteries within Crafted by is enigmatic creation, **Welbilt Bread Maker Instruction Manual** . This downloadable ebook, shrouded in suspense, is available in a PDF format (*). Dive into a world of uncertainty and anticipation. Download now to unravel the secrets hidden within the pages.

http://www.frostbox.com/files/virtual-library/HomePages/slotted_waveguide_array_antenna.pdf

Table of Contents Welbilt Bread Maker Instruction Manual

1. Understanding the eBook Welbilt Bread Maker Instruction Manual
 - The Rise of Digital Reading Welbilt Bread Maker Instruction Manual
 - Advantages of eBooks Over Traditional Books
2. Identifying Welbilt Bread Maker Instruction Manual
 - Exploring Different Genres
 - Considering Fiction vs. Non-Fiction
 - Determining Your Reading Goals
3. Choosing the Right eBook Platform
 - Popular eBook Platforms
 - Features to Look for in an Welbilt Bread Maker Instruction Manual
 - User-Friendly Interface
4. Exploring eBook Recommendations from Welbilt Bread Maker Instruction Manual
 - Personalized Recommendations
 - Welbilt Bread Maker Instruction Manual User Reviews and Ratings
 - Welbilt Bread Maker Instruction Manual and Bestseller Lists
5. Accessing Welbilt Bread Maker Instruction Manual Free and Paid eBooks
 - Welbilt Bread Maker Instruction Manual Public Domain eBooks
 - Welbilt Bread Maker Instruction Manual eBook Subscription Services
 - Welbilt Bread Maker Instruction Manual Budget-Friendly Options
6. Navigating Welbilt Bread Maker Instruction Manual eBook Formats

- ePub, PDF, MOBI, and More
- Welbilt Bread Maker Instruction Manual Compatibility with Devices
- Welbilt Bread Maker Instruction Manual Enhanced eBook Features
- 7. Enhancing Your Reading Experience
 - Adjustable Fonts and Text Sizes of Welbilt Bread Maker Instruction Manual
 - Highlighting and Note-Taking Welbilt Bread Maker Instruction Manual
 - Interactive Elements Welbilt Bread Maker Instruction Manual
- 8. Staying Engaged with Welbilt Bread Maker Instruction Manual
 - Joining Online Reading Communities
 - Participating in Virtual Book Clubs
 - Following Authors and Publishers Welbilt Bread Maker Instruction Manual
- 9. Balancing eBooks and Physical Books Welbilt Bread Maker Instruction Manual
 - Benefits of a Digital Library
 - Creating a Diverse Reading Collection Welbilt Bread Maker Instruction Manual
- 10. Overcoming Reading Challenges
 - Dealing with Digital Eye Strain
 - Minimizing Distractions
 - Managing Screen Time
- 11. Cultivating a Reading Routine Welbilt Bread Maker Instruction Manual
 - Setting Reading Goals Welbilt Bread Maker Instruction Manual
 - Carving Out Dedicated Reading Time
- 12. Sourcing Reliable Information of Welbilt Bread Maker Instruction Manual
 - Fact-Checking eBook Content of Welbilt Bread Maker Instruction Manual
 - Distinguishing Credible Sources
- 13. Promoting Lifelong Learning
 - Utilizing eBooks for Skill Development
 - Exploring Educational eBooks
- 14. Embracing eBook Trends
 - Integration of Multimedia Elements
 - Interactive and Gamified eBooks

Welbilt Bread Maker Instruction Manual Introduction

In this digital age, the convenience of accessing information at our fingertips has become a necessity. Whether its research papers, eBooks, or user manuals, PDF files have become the preferred format for sharing and reading documents. However, the cost associated with purchasing PDF files can sometimes be a barrier for many individuals and organizations. Thankfully, there are numerous websites and platforms that allow users to download free PDF files legally. In this article, we will explore some of the best platforms to download free PDFs. One of the most popular platforms to download free PDF files is Project Gutenberg. This online library offers over 60,000 free eBooks that are in the public domain. From classic literature to historical documents, Project Gutenberg provides a wide range of PDF files that can be downloaded and enjoyed on various devices. The website is user-friendly and allows users to search for specific titles or browse through different categories. Another reliable platform for downloading Welbilt Bread Maker Instruction Manual free PDF files is Open Library. With its vast collection of over 1 million eBooks, Open Library has something for every reader. The website offers a seamless experience by providing options to borrow or download PDF files. Users simply need to create a free account to access this treasure trove of knowledge. Open Library also allows users to contribute by uploading and sharing their own PDF files, making it a collaborative platform for book enthusiasts. For those interested in academic resources, there are websites dedicated to providing free PDFs of research papers and scientific articles. One such website is Academia.edu, which allows researchers and scholars to share their work with a global audience. Users can download PDF files of research papers, theses, and dissertations covering a wide range of subjects. Academia.edu also provides a platform for discussions and networking within the academic community. When it comes to downloading Welbilt Bread Maker Instruction Manual free PDF files of magazines, brochures, and catalogs, Issuu is a popular choice. This digital publishing platform hosts a vast collection of publications from around the world. Users can search for specific titles or explore various categories and genres. Issuu offers a seamless reading experience with its user-friendly interface and allows users to download PDF files for offline reading. Apart from dedicated platforms, search engines also play a crucial role in finding free PDF files. Google, for instance, has an advanced search feature that allows users to filter results by file type. By specifying the file type as "PDF," users can find websites that offer free PDF downloads on a specific topic. While downloading Welbilt Bread Maker Instruction Manual free PDF files is convenient, its important to note that copyright laws must be respected. Always ensure that the PDF files you download are legally available for free. Many authors and publishers voluntarily provide free PDF versions of their work, but its essential to be cautious and verify the authenticity of the source before downloading Welbilt Bread Maker Instruction Manual. In conclusion, the internet offers numerous platforms and websites that allow users to download free PDF files legally. Whether its classic literature, research papers, or magazines, there is something for everyone. The platforms mentioned in this article, such as Project Gutenberg, Open Library, Academia.edu, and Issuu,

provide access to a vast collection of PDF files. However, users should always be cautious and verify the legality of the source before downloading Welbilt Bread Maker Instruction Manual any PDF files. With these platforms, the world of PDF downloads is just a click away.

FAQs About Welbilt Bread Maker Instruction Manual Books

How do I know which eBook platform is the best for me? Finding the best eBook platform depends on your reading preferences and device compatibility. Research different platforms, read user reviews, and explore their features before making a choice. Are free eBooks of good quality? Yes, many reputable platforms offer high-quality free eBooks, including classics and public domain works. However, make sure to verify the source to ensure the eBook credibility. Can I read eBooks without an eReader? Absolutely! Most eBook platforms offer web-based readers or mobile apps that allow you to read eBooks on your computer, tablet, or smartphone. How do I avoid digital eye strain while reading eBooks? To prevent digital eye strain, take regular breaks, adjust the font size and background color, and ensure proper lighting while reading eBooks. What the advantage of interactive eBooks? Interactive eBooks incorporate multimedia elements, quizzes, and activities, enhancing the reader engagement and providing a more immersive learning experience. Welbilt Bread Maker Instruction Manual is one of the best book in our library for free trial. We provide copy of Welbilt Bread Maker Instruction Manual in digital format, so the resources that you find are reliable. There are also many Ebooks of related with Welbilt Bread Maker Instruction Manual. Where to download Welbilt Bread Maker Instruction Manual online for free? Are you looking for Welbilt Bread Maker Instruction Manual PDF? This is definitely going to save you time and cash in something you should think about.

Find Welbilt Bread Maker Instruction Manual :

slotted waveguide array antenna

smokey bones brisket recipe

slugs snails and worms trudi strain trueit

[snap on kool kare manual](#)

smart manual conversion

smart broadband manual

snapper lt 125 manual

[small business operations manual template](#)

small business monthly expense template

[smith and wesson armorers manual](#)

[small scale lab electron configuration of ions](#)

[smart manual transmission conversion](#)

[smc smed3gnv user manual](#)

[smart gprs manual setup](#)

smc smc2835w owners manual

Welbilt Bread Maker Instruction Manual :

Nelson functions and applications 11. Solutions manual Nelson functions and applications 11. Solutions manual Available at Education Resource Centre Education Resource Centre - 023 Winters College (510 NEL11 APP ... Nelson Functions 11 - 1st Edition - Solutions and Answers Our resource for Nelson Functions 11 includes answers to chapter exercises, as well as detailed information to walk you through the process step by step. With ... Nelson functions 11. Solutions manual - York University Nelson functions 11. Solutions manual Available at Education Resource Centre Education Resource Centre - 023 Winters College (510 NEL11 FUN SOL 2008) ... chapter 1 2-. -3-. +. -5. 4. Nelson Functions 11 Solutions Manual. 1-5. Page 6. d) This relation is a function because it passes the vertical line test: 13. a) Answers ... Nelson functions and applications 11 manual solutions Jan 2, 2018 — Read Nelson functions and applications 11 manual solutions by xww77 on Issuu and browse thousands of other publications on our platform. Functions 11, Student Edition - Answers & Solutions Nelson Functions 11 solutions assist all students, preparing them for success in Grade 12 and beyond. This textbook offers a wide variety of exercises, ... CHAPTER 8: - Discrete Functions Nelson Functions 11 Solutions Manual. 11. FV of each investment terms of a geometric sequence common ratio. (1+1) future value of annuities compound interest. Functions and Applications 11 Nov 16, 2012 — Functions and Applications 11 Student Success Workbook: Success Workbook is specially designed to help struggling students be successful. It ... MCR3U Solutions to Questions from Nelson Functions ... Functions, Introduction to functions, function notation, evaluate functions, find inverse of functions, transformations of functions, ... MHF4U-Full-Solution-Manual-Small.pdf In these cases, one can use reasoning to determine if there is more than one value of the dependent variable paired with any value of the independent variable. PEUGEOT 308 HANDBOOK In this document you will find all of the instructions and recommendations on use that will allow you to enjoy your vehicle to the fullest. It is strongly. Peugeot 308 Car Handbook | Vehicle Information This handbook has been designed to enable you to make the most of your vehicle in all situations. Please note the following point: The fitting of electrical ... Peugeot 308 & 308SW Vehicle Handbook

this handbook has been designed to enable you to make the most of your vehicle in all situations. Page 4 . . Contents.

Overview. User manual Peugeot 308 (2022) (English - 260 pages) Manual. View the manual for the Peugeot 308 (2022) here, for free. This manual comes under the category cars and has been rated by 7 people with an average ... User manual Peugeot 308 (2020) (English - 324 pages) Manual. View the manual for the Peugeot 308 (2020) here, for free. This manual comes under the category cars and has been rated by 3 people with an average ... Peugeot Driver Manual 308 | PDF Peugeot Driver Manual 308 - Free ebook download as PDF File (.pdf), Text File (.txt) or read book online for free. Peugeot for Driver Manual 308. Peugeot 308 (2018) user manual (English - 324 pages) User manual. View the manual for the Peugeot 308 (2018) here, for free. This manual comes under the category cars and has been rated by 34 people with an ... Peugeot 308 (2021) user manual (English - 244 pages) User manual. View the manual for the Peugeot 308 (2021) here, for free. This manual comes under the category cars and has been rated by 8 people with an ... PEUGEOT 308 HANDBOOK Pdf Download View and Download PEUGEOT 308 handbook online. 308 automobile pdf manual download. Peugeot 308 owner's manual Below you can find links to download for free the owner's manual of your Peugeot 308. Manuals from 2008 to 2008. ... Looking for another year or model? Let us ... Mazda 3 (2003-2008) , 5 (2005-2008) Head Unit pinout Jan 27, 2022 — Right Rear Speaker Positive Wire (+): White Right Rear Speaker Negative Wire (-): Gray. 16 pin Mazda Head Unit proprietary connector layout 2007 Mazda 3 Radio Wiring Chart - the12volt.com Jul 25, 2007 — 2007 Mazda 3 Radio Wiring Chart ; RR Speaker +/-, white - gray, +,- ; Notes: The subwoofer wires are gray/white - WHITE/ blue at the amplifier. I need wire diagram for a 2007 Mazda 3 S my vin is Jul 13, 2020 — From radio unit to the bose amp to the speakers. Thank you. Mechanic's Assistant: Have you checked all the fuses? Do you have a wiring diagram? 2007 Mazda 3 Stereo Wiring Diagrams Right Front Speaker Positive Wire (+): White/Red; Right Front Speaker Negative Wire (-): Gray/Red; Car Audio Rear Speakers ... MAZDA Car Radio Stereo Audio Wiring Diagram Autoradio ... Mazda 3 2011 stereo wiring diagram. Mazda 3 2011 stereo wiring diagram. Mazda ... Car radio wiring colour codes car radio speakers. Copyright © 2007 Tehnomagazin. Bose wiring diagram - Finally! *edited 5/15/07 Nov 7, 2005 — Here is a preview of my walkthrough, still have to take pics of the harness to make it a little easier. The top denotes the half of the ... 2007 SYSTEM WIRING DIAGRAMS Mazda HEADINGS. USING MITCHELL'S WIRING DIAGRAMS; AIR CONDITIONING; ANTI-LOCK BRAKES; ANTI-THEFT; COMPUTER DATA LINES; COOLING FAN; CRUISE CONTROL. 2.0L 2.3L 2.3L ... Radio Wiring Diagram Mazda 3 2007 : r/mazda3 Google "2007 Mazda 3 radio wiring diagram" and you will find oodles. Mazda is lazy efficient, so they all use the same wiring diagram. Does anyone know what all the stereo wire colors represent Oct 15, 2005 — Yellow is accessory power, red is constant, black is ground, purple is right rear, green is left rear, gray is right front, white is left front.