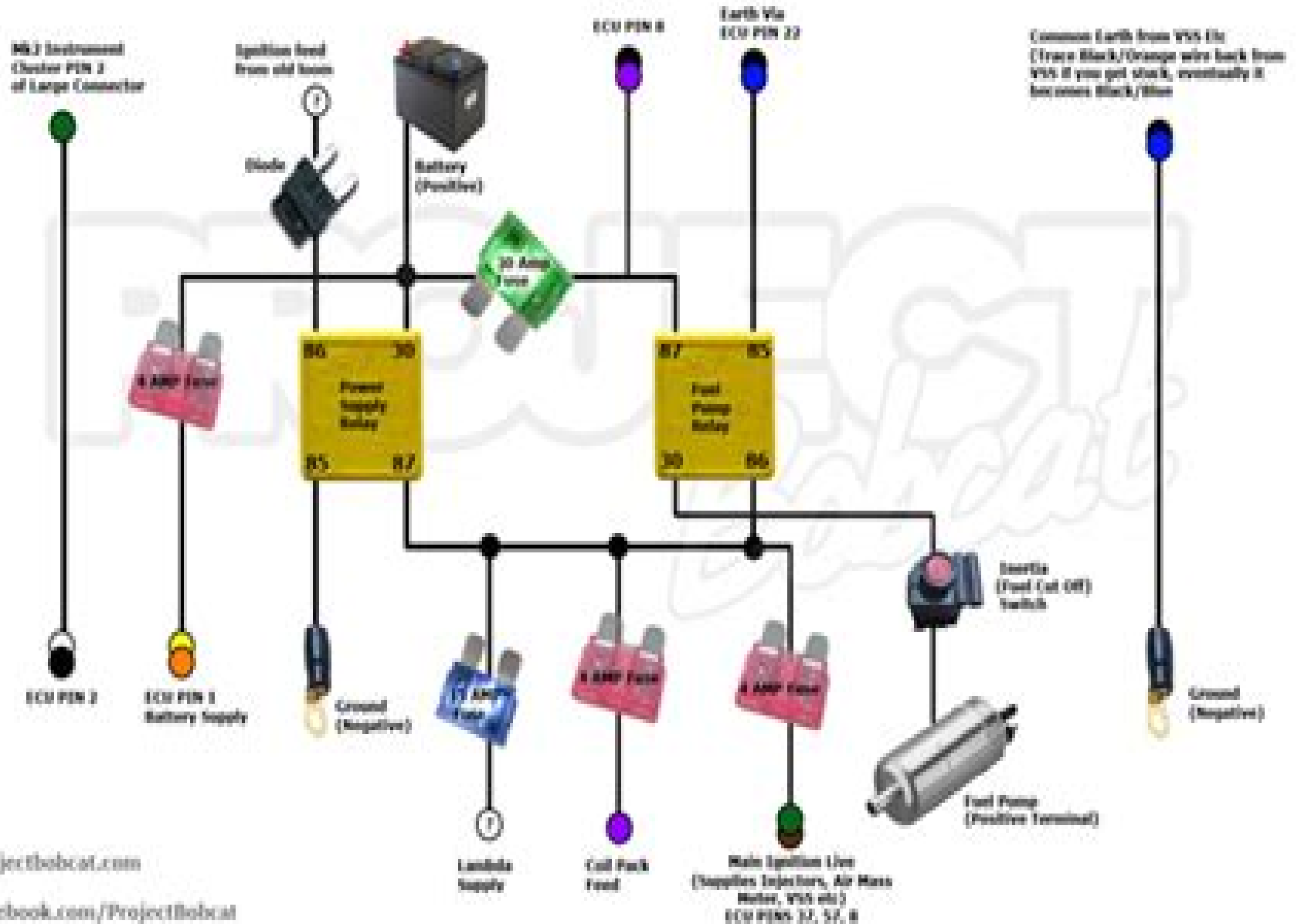


Wiring Diagram for Mk2 Fiesta Zetec Conversion, using 1993 Mk1 Mondeo 2.0 Zetec Non PATS manual wiring loom. This wiring diagram is intended as a rough guide, if in doubt consult a qualified electrician. We cannot be held responsible for any damage caused to you or your vehicle.



# Zetec Wiring Ecu Diagram

**RJ Shavelson**



## **Zetec Wiring Ecu Diagram:**

Motor Industry Magazine ,2003      Automobile Electrical Systems David Penn Moreton,Darwin S. Hatch,1921

**Boyce's Wiring Diagram Manual: Mitsubishi TE MAGNA 2.4L, Mitsubishi TE MAGNA 3.0L, Mitsubishi TF MAGNA 2.4L, Mitsubishi TF MAGNA 3.0L, Mitsubishi KE VERADA 3.5L, Mitsubishi KF VERADA 3.5L** ,2001

**Boyce's Wiring Diagram Manual: Selected models from the following manufactures, Daewoo, Ford, Holden, Hyundai, Subaru** ,2001      *Wiring Diagrams* ,2002      **Boyce's Wiring Diagram Manual: Selected models from the following manufactures, Chrysler, Daewoo, Ford, Holden, Honda, Hyundai, Jeep, Mitsubishi, Subaru, Suzuki,**

**Toyota** ,2001      Motor Wiring Diagram Manual John R. Lypen,1998      **Boyce's Engine Control Unit Wiring Diagram Manual** ,1998      **Automotive Wiring Diagrams** ,1993      *Automotive Wiring Diagrams* Universal Publishers,1998-03-01

**Rellim Wiring Diagrams** Les Garam,Greg Williams,Michael Cogley,2010      **Wiring Diagrams** Autodata Limited,1988  
*Autodata Wiring Diagrams* ,1990      Autodata Wiring Diagrams Autodata,1988      *Latest Wiring Diagram Service* ,1931\*

Motor .... Domestic Wiring Diagram Manual ,1995      **Wiring Diagrams** Autodata,1988      *Wiring Diagrams 1940, 1941, 1942 ,1943*      **Automobile Electrical Systems** David Penn Moreton,2017-07-24 Excerpt from Automobile Electrical Systems An Analysis of All the Systems Now Used on Motor Cars With 200 Wiring Diagrams and Giving Special Attention to Trouble Shooting and Repairs Chapter II is devoted to the electrical equipment on the model T Ford previous to the installation of the F A Starting and lighting system About the Publisher Forgotten Books publishes hundreds of thousands of rare and classic books Find more at [www.forgottenbooks.com](http://www.forgottenbooks.com) This book is a reproduction of an important historical work Forgotten Books uses state of the art technology to digitally reconstruct the work preserving the original format whilst repairing imperfections present in the aged copy In rare cases an imperfection in the original such as a blemish or missing page may be replicated in our edition We do however repair the vast majority of imperfections successfully any imperfections that remain are intentionally left to preserve the state of such historical works      Electrical Diagnosis Ford Marketing Corporation,Ford Motor Company. Ford Division,1970

Delve into the emotional tapestry woven by in Experience **Zetec Wiring Ecu Diagram** . This ebook, available for download in a PDF format ( \*), is more than just words on a page; it's a journey of connection and profound emotion. Immerse yourself in narratives that tug at your heartstrings. Download now to experience the pulse of each page and let your emotions run wild.

[http://www.frostbox.com/files/scholarship/Documents/Suzuki\\_Dt75\\_Repair\\_Manual.pdf](http://www.frostbox.com/files/scholarship/Documents/Suzuki_Dt75_Repair_Manual.pdf)

## **Table of Contents Zetec Wiring Ecu Diagram**

1. Understanding the eBook Zetec Wiring Ecu Diagram
  - The Rise of Digital Reading Zetec Wiring Ecu Diagram
  - Advantages of eBooks Over Traditional Books
2. Identifying Zetec Wiring Ecu Diagram
  - Exploring Different Genres
  - Considering Fiction vs. Non-Fiction
  - Determining Your Reading Goals
3. Choosing the Right eBook Platform
  - Popular eBook Platforms
  - Features to Look for in an Zetec Wiring Ecu Diagram
  - User-Friendly Interface
4. Exploring eBook Recommendations from Zetec Wiring Ecu Diagram
  - Personalized Recommendations
  - Zetec Wiring Ecu Diagram User Reviews and Ratings
  - Zetec Wiring Ecu Diagram and Bestseller Lists
5. Accessing Zetec Wiring Ecu Diagram Free and Paid eBooks
  - Zetec Wiring Ecu Diagram Public Domain eBooks
  - Zetec Wiring Ecu Diagram eBook Subscription Services
  - Zetec Wiring Ecu Diagram Budget-Friendly Options

6. Navigating Zetec Wiring Ecu Diagram eBook Formats
  - ePub, PDF, MOBI, and More
  - Zetec Wiring Ecu Diagram Compatibility with Devices
  - Zetec Wiring Ecu Diagram Enhanced eBook Features
7. Enhancing Your Reading Experience
  - Adjustable Fonts and Text Sizes of Zetec Wiring Ecu Diagram
  - Highlighting and Note-Taking Zetec Wiring Ecu Diagram
  - Interactive Elements Zetec Wiring Ecu Diagram
8. Staying Engaged with Zetec Wiring Ecu Diagram
  - Joining Online Reading Communities
  - Participating in Virtual Book Clubs
  - Following Authors and Publishers Zetec Wiring Ecu Diagram
9. Balancing eBooks and Physical Books Zetec Wiring Ecu Diagram
  - Benefits of a Digital Library
  - Creating a Diverse Reading Collection Zetec Wiring Ecu Diagram
10. Overcoming Reading Challenges
  - Dealing with Digital Eye Strain
  - Minimizing Distractions
  - Managing Screen Time
11. Cultivating a Reading Routine Zetec Wiring Ecu Diagram
  - Setting Reading Goals Zetec Wiring Ecu Diagram
  - Carving Out Dedicated Reading Time
12. Sourcing Reliable Information of Zetec Wiring Ecu Diagram
  - Fact-Checking eBook Content of Zetec Wiring Ecu Diagram
  - Distinguishing Credible Sources
13. Promoting Lifelong Learning
  - Utilizing eBooks for Skill Development
  - Exploring Educational eBooks
14. Embracing eBook Trends
  - Integration of Multimedia Elements

- 
- Interactive and Gamified eBooks

## **Zetec Wiring Ecu Diagram Introduction**

In today's digital age, the availability of Zetec Wiring Ecu Diagram books and manuals for download has revolutionized the way we access information. Gone are the days of physically flipping through pages and carrying heavy textbooks or manuals. With just a few clicks, we can now access a wealth of knowledge from the comfort of our own homes or on the go. This article will explore the advantages of Zetec Wiring Ecu Diagram books and manuals for download, along with some popular platforms that offer these resources. One of the significant advantages of Zetec Wiring Ecu Diagram books and manuals for download is the cost-saving aspect. Traditional books and manuals can be costly, especially if you need to purchase several of them for educational or professional purposes. By accessing Zetec Wiring Ecu Diagram versions, you eliminate the need to spend money on physical copies. This not only saves you money but also reduces the environmental impact associated with book production and transportation. Furthermore, Zetec Wiring Ecu Diagram books and manuals for download are incredibly convenient. With just a computer or smartphone and an internet connection, you can access a vast library of resources on any subject imaginable. Whether you're a student looking for textbooks, a professional seeking industry-specific manuals, or someone interested in self-improvement, these digital resources provide an efficient and accessible means of acquiring knowledge. Moreover, PDF books and manuals offer a range of benefits compared to other digital formats. PDF files are designed to retain their formatting regardless of the device used to open them. This ensures that the content appears exactly as intended by the author, with no loss of formatting or missing graphics. Additionally, PDF files can be easily annotated, bookmarked, and searched for specific terms, making them highly practical for studying or referencing. When it comes to accessing Zetec Wiring Ecu Diagram books and manuals, several platforms offer an extensive collection of resources. One such platform is Project Gutenberg, a nonprofit organization that provides over 60,000 free eBooks. These books are primarily in the public domain, meaning they can be freely distributed and downloaded. Project Gutenberg offers a wide range of classic literature, making it an excellent resource for literature enthusiasts. Another popular platform for Zetec Wiring Ecu Diagram books and manuals is Open Library. Open Library is an initiative of the Internet Archive, a non-profit organization dedicated to digitizing cultural artifacts and making them accessible to the public. Open Library hosts millions of books, including both public domain works and contemporary titles. It also allows users to borrow digital copies of certain books for a limited period, similar to a library lending system. Additionally, many universities and educational institutions have their own digital libraries that provide free access to PDF books and manuals. These libraries often offer academic texts, research papers, and technical manuals, making them invaluable resources for students and researchers. Some notable examples include MIT OpenCourseWare, which offers free access to course materials from the Massachusetts Institute of

Technology, and the Digital Public Library of America, which provides a vast collection of digitized books and historical documents. In conclusion, Zetec Wiring Ecu Diagram books and manuals for download have transformed the way we access information. They provide a cost-effective and convenient means of acquiring knowledge, offering the ability to access a vast library of resources at our fingertips. With platforms like Project Gutenberg, Open Library, and various digital libraries offered by educational institutions, we have access to an ever-expanding collection of books and manuals. Whether for educational, professional, or personal purposes, these digital resources serve as valuable tools for continuous learning and self-improvement. So why not take advantage of the vast world of Zetec Wiring Ecu Diagram books and manuals for download and embark on your journey of knowledge?

### **FAQs About Zetec Wiring Ecu Diagram Books**

1. Where can I buy Zetec Wiring Ecu Diagram books? Bookstores: Physical bookstores like Barnes & Noble, Waterstones, and independent local stores. Online Retailers: Amazon, Book Depository, and various online bookstores offer a wide range of books in physical and digital formats.
2. What are the different book formats available? Hardcover: Sturdy and durable, usually more expensive. Paperback: Cheaper, lighter, and more portable than hardcovers. E-books: Digital books available for e-readers like Kindle or software like Apple Books, Kindle, and Google Play Books.
3. How do I choose a Zetec Wiring Ecu Diagram book to read? Genres: Consider the genre you enjoy (fiction, non-fiction, mystery, sci-fi, etc.). Recommendations: Ask friends, join book clubs, or explore online reviews and recommendations. Author: If you like a particular author, you might enjoy more of their work.
4. How do I take care of Zetec Wiring Ecu Diagram books? Storage: Keep them away from direct sunlight and in a dry environment. Handling: Avoid folding pages, use bookmarks, and handle them with clean hands. Cleaning: Gently dust the covers and pages occasionally.
5. Can I borrow books without buying them? Public Libraries: Local libraries offer a wide range of books for borrowing. Book Swaps: Community book exchanges or online platforms where people exchange books.
6. How can I track my reading progress or manage my book collection? Book Tracking Apps: Goodreads, LibraryThing, and Book Catalogue are popular apps for tracking your reading progress and managing book collections. Spreadsheets: You can create your own spreadsheet to track books read, ratings, and other details.
7. What are Zetec Wiring Ecu Diagram audiobooks, and where can I find them? Audiobooks: Audio recordings of books,

---

perfect for listening while commuting or multitasking. Platforms: Audible, LibriVox, and Google Play Books offer a wide selection of audiobooks.

8. How do I support authors or the book industry? Buy Books: Purchase books from authors or independent bookstores. Reviews: Leave reviews on platforms like Goodreads or Amazon. Promotion: Share your favorite books on social media or recommend them to friends.
9. Are there book clubs or reading communities I can join? Local Clubs: Check for local book clubs in libraries or community centers. Online Communities: Platforms like Goodreads have virtual book clubs and discussion groups.
10. Can I read Zetec Wiring Ecu Diagram books for free? Public Domain Books: Many classic books are available for free as they're in the public domain. Free E-books: Some websites offer free e-books legally, like Project Gutenberg or Open Library.

### **Find Zetec Wiring Ecu Diagram :**

[suzuki dt75 repair manual](#)

[suzuki bandit 6vergaser](#)

**suzuki alto 2006 manual**

[suzuki drz400 manual](#)

*suzuki aerio 2001 manual*

**suzuki dr350 repair manual**

[suzuki df6 workshop manual](#)

**suzuki 8 hp outboard service manual**

[suzuki 125 adres manual](#)

[suzuki baleno board disassemble](#)

**suzuki drz125l service repair workshop manual 2003 2009**

**suzuki df 90 manual**

**suzuki an650 parts**

**suzuki 4 hp 4 stroke repair manual**

[suzuki df300 manual](#)



---

**Zetec Wiring Ecu Diagram :**

**porsche boxster owner s manual pdf** - Aug 03 2023

web view and download porsche boxster owner s manual online sports car boxster automobile pdf manual download

*porsche boxster 1999 manuals manualslib* - Jul 22 2022

web jan 6 2018 zur aktuellen produktpalette von porsche gehören der 718 boxster cayman 911 panamera macan und cayenne betriebsanleitung handbuch anleitung

**buy used porsche 718 boxster at porsche beachwood porsche** - Oct 13 2021

web 10 5 x 20 inch boxster spyder alloy wheels with 265 35 zr 20 performance summer tires rear tire sealing compound and electric compressor electromechanical power steering

**buy used porsche boxster at porsche of destin porsche finder us** - Sep 11 2021

web 2 days ago the 986 porsche boxster is a wonderful roadster offering a thrilling driving experience and excellent balance thanks to its mid engine layout this particular

*bedienungsanleitung porsche boxster 2006 296 seiten* - Mar 30 2023

web download the 2021 porsche boxster owner s manual pdf free of charge view the manual online print or download it to keep on your computer

*porsche classic genuine parts catalogue porsche great britain* - Jan 16 2022

web porsche boxster boxster s service manual 1997 2004 downloaded from ams istanbul edu tr by guest carney choi 101 projects for your porsche 911 996 and

*kadıköy owner manual porsche boxster prices models* - Apr 18 2022

web porsche boxster boxster s service manual nov 29 2021 the porsche boxster service manual 1997 2004 covers the 1997 through 2004 model year boxster and boxster s

**2019 porsche boxster owner s manual pdf manual** - Nov 25 2022

web view and download porsche boxster technical manual online porsche boxster boxster automobile pdf manual download

**porsche boxster boxster s service manual 1997 2004 pdf** - Nov 13 2021

web enhanced porsche stability management psm with abs asr abd and edtc as well as pre filling of brake system and brake assist tire pressure monitoring system tpms 4

*buy used porsche boxster spyder at hennessy porsche north* - Aug 11 2021

web 2024 porsche 718 boxster s 982 2024 porsche 718 boxster s 982 new available at the porsche center soon 102 440 see price details

*bedienungsanleitung porsche boxster s brochure* - Mar 18 2022

---

web the production and supply of porsche classic genuine parts enables us to make a vital contribution to this so that every porsche is still a porsche for this purpose our

*porsche boxster owner s manual* - Apr 30 2023

web sehen sie sich hier kostenlos das handbuch für porsche boxster 2006 an dieses handbuch fällt unter die kategorie autos und wurde von 4 personen mit einem

betriebsanleitung handbuch anleitung porsche boxter pdf - May 20 2022

web bedienungsanleitung porsche boxter s brochure diebedienungsanleitung bietet einen gemeinschaftlich betriebenen tausch speicher und suchdienst für

user manual porsche boxster 2009 english 294 pages - Oct 25 2022

web porsche boxster workshop repair and owners manuals for all years and models free pdf download for thousands of cars and trucks toggle navigation workshop manuals

porsche boxster owner s manual pdf - Jul 02 2023

web view and download porsche boxster owner s manual online boxster automobile pdf manual download

*user manuals boxster vehicle information porsche service* - Oct 05 2023

web boxster boxster s driver s manual 03 13 boxster boxster s driver s manual 09 13 model year 2015 boxster boxster s boxster gts driver s manual 03 14 boxster

**porsche bedienungsanleitungen** - Sep 04 2023

web autos fahrrads bedienungsanleitungen beliebt neu hier marke und typ angeben porsche macan 2017

bedienungsanleitung 152 seiten porsche cayenne 2017

*porsche boxter technical manual pdf download* - Sep 23 2022

web we have 1 porsche boxster 1999 manual available for free pdf download technical manual porsche boxster 1999 technical manual 114 pages brand porsche

buy new porsche 718 boxster s at porsche beaverton porsche - Jun 08 2021

**porsche repair and workshop manuals haynes chilton** - Jun 20 2022

web kadıköy owner manual porsche boxster on the biggest automobile market of turkey sahibinden com join millions of users of sahibinden mobile app sahi to 4350 free sms from the phone

porsche boxster free workshop and repair manuals - Aug 23 2022

web this includes 16 wins at the le mans 24 hours you can get all the technical information and how to guides you need for your specific model from our selection of porsche repair

*porsche boxer technical manual pdf* - Jun 01 2023

web al before you drive your new porsche become familiar with the operation of your porsche car for maximum safety and operating pleasure the better you know your porsche the

2021 porsche boxer owner s manual pdf manual directory - Feb 26 2023

web download porsche boxer owner s manual porsche boxer owner s manual brand porsche category automobile size 7 22 mb pages 294

**download porsche boxer owner s manual manualslib** - Jan 28 2023

web we have 8 porsche boxer s manuals available for free pdf download owner s manual technical manual brochure porsche boxer s owner s manual 320 pages brand

*porsche boxer İstanbul automobile sahibinden* - Dec 15 2021

web 9 5 j x 18 inch boxer alloy wheels with 265 45 zr 18 performance summer tires rear tire sealing compound and electric air compressor electromechanical power steering with variable steering ratio lightweight spring strut suspension with front and rear stabilizers aluminum structure providing rear end rigidity

*1997 porsche boxer for sale cars bids* - Jul 10 2021

*porsche boxer s manuals manualslib* - Dec 27 2022

web view the manual for the porsche boxer 2009 here for free this manual comes under the category cars and has been rated by 1 people with an average of a 6 6 this manual

bedienungsanleitung porsche boxer pdf - Feb 14 2022

web dec 11 2022 porsche boxer used cars prices of new cars for sale and porsche boxer technical features are on the biggest automobile market of turkey

*sample dialogue between counselor and client copy* - Jan 29 2022

web between student and career counselor sample dialogue between counselor and client 1 2 downloaded from dev horsensleksikon dk on november 29 2020 by guest download sample dialogue between counselor and client recognizing the pretentiousness ways to get this books sample dialogue between counselor and

*sample dialogue between counselor and client copy old vulkk* - Jun 02 2022

web case documentation in counseling and psychotherapy a theory informed competency based approach theories of counseling and psychotherapy a multicultural perspective

045 dialogue in therapy development of the person centred - Oct 06 2022

web 045 dialogue in therapy development of the person centred approach choosing a supervisor in episode 45 of the

counselling tutor podcast rory lees oakes and ken kelly talk about how to avoid asking how does that make you feel theory with rory looks at three key phases in the development

**sample dialogue between counselor and client arthur w** - Nov 07 2022

web financial counseling explores the elements of the client counselor relationship compares delivery systems and practice models features effective tools and resources used in financial counseling encourages counselor ethics preparedness and self awareness a standout in

**sample dialogue counselling situation between counsellor** - Apr 12 2023

web in order to be an effective counsellor the individual must be able to separate his or her own feelings needs and perceptions of the client it is also important for the counsellor to be conscious of their reactions to the client so that they are not perceived as encouraging

*therapist client conversation made up academia edu* - Mar 11 2023

web 10 15 seconds silence client maybe therapist you see jenny you are not a loser you are a talented young woman who has a variety of interests well special interests that few people like too you are smart and you are special client you think so therapist yes

*free essay counselling feeling and client studymode* - Feb 27 2022

web the relationship between counsellor and client can be the most influential factor on whether counselling works the client counsellor relationship is unlike relationships you may have with loved ones or a friend this relationship is highly specialised depending on the way it is conducted

*therapist patient dialogues cbt4panic* - Jan 09 2023

web therapist patient dialogues nicole panic disorder health anxiety denise obsessional thoughts panic brendan panic depression obsessional thinking hilary panic health anxiety specific fear of

**samples from the counseling dialogue between the user u and** - Jul 03 2022

web download scientific diagram samples from the counseling dialogue between the user u and the agent a during various segments of the conversation from publication navigating the

dialogue between a counselor and stressed young person - Mar 31 2022

web may 20 2020 answer 1 nimisha gupta 20th may 2020 hi here i am giving you a outline for your help you can mold it as per your convenience start by introducing each party let the counsellor explain his job and work ethics basically let him make the person at ease to share his problems tell why the young person is stressed his reasons

role play in therapy 21 scripts examples for your session - Aug 16 2023

web aug 23 2022 for clients in therapy role playing scripts offer a replacement for some aspects of more typical talk

---

therapies hackett 2011 role playing has emotive cognitive and behavioral components that can create disturbances that help clients change unhealthy feelings to healthy ones corey 2013 p 300

**kickstarting dialogue between client and therapist copm** - Aug 04 2022

web the copm is always the very first thing i do with the client as i feel it s the best way to start the partnership dialogue between client and therapist it lets clients know that you hear them and consider them to be the experts in the occupational performance areas e g what difficulties or barriers are present in their current lives

*sample dialogue between counselor and client ftp bonide* - Dec 28 2021

web sample dialogue between counselor and client downloaded from ftp bonide com by guest trevon choi counseling and psychotherapy springer this foundational text offers dynamic and fresh perspectives on theories across the helping professions to help guide client case conceptualization and therapeutic transformation a diverse

**example of a therapist inner dialogue session researchgate** - Jun 14 2023

web example of a therapist inner dialogue session transcript and therapist reflections source publication positioning in the therapist s inner conversation a dialogical model based on a

**sample dialogue between counselor and client frank n thomas** - Dec 08 2022

web aug 13 2023 counseling as a practice and profession discusses the challenges of working in financial counseling explores the elements of the client counselor relationship compares delivery systems and practice models features effective tools and resources used in financial counseling encourages counselor ethics

**client therapist example script adapted to famine** - Jul 15 2023

web client therapist script and instructional tool for utilizing the adapted to famine theory in session note this is an e mail exchange between therapist and client that illustrates how to use the adapted to famine theory client it s funny because everybody has days where they feel fat right

*sample dialogue counselling situation between counsellor and client* - May 01 2022

web effectiveness of a counsellor relies on their ethical competence and behaviour in this situation the counsellor needs to have the knowledge of dealing with loss and aged populations along with knowledge the counsellor must also be aware of the types of therapy and situations they are competent in since the client is an elderly woman over

**a conversation analysis of therapist client interactional patterns** - May 13 2023

web a conversation analysis of therapist client interactional patterns in single session therapy a researcher s interpretation nozomu ozaki nova southeastern university naz ozaki gmail com taught me how to blend the rigor for clinical practice supervision and teaching with her relaxed letting go dr john miller another former chair of

sample dialogue between counselor and client - Sep 05 2022

web new therapists to be themselves in their counseling relationships featuring new case examples and dialogues updated references and research clinical vignettes and sample therapist client dialogues this contemporary text helps bring the reader in the room with the therapist and illustrates the

*sample dialogue between counselor and client book* - Feb 10 2023

web sample dialogue between counselor and client demystifying the counseling process oct 12 2022 this informal user friendly book is intended to provide a journey for author and reader along some of the less traveled roads of counseling this book offers insight into some overlooked aspects of counseling

*modern control systems richard c dorf robert h bishop* - Jan 12 2023

web oct 27 2021 richard c dorf robert h bishop pearson oct 27 2021 control theory 1024 pages for courses in control theory progressively develop students problem solving skills through an

**modern control systems 13th edition pdf google sheets** - Nov 10 2022

web modern control systems 13th edition pdf google sheets loading

*modern control systems 12th edition pdf 1h5poej55m38 e* - Sep 20 2023

web library of congress cataloging in publication data dorf richard c modern control systems richard c dorf robert h bishop 12th ed p cm isbn 13 978 0 13 602458 3 isbn 10 0 13 602458 0 1 feedback control

*dorf bishop modern control systems global edition 14 e* - Feb 01 2022

web 1 introduction to control systems 2 mathematical models of systems 3 state variable models 4 feedback control system characteristics 5 the performance of feedback control systems 6 the stability of linear feedback systems 7 the root locus method 8 frequency response methods 9 stability in the frequency domain 10 the design

**modern control systems richard c dorf robert h bishop** - Oct 09 2022

web modern control systems richard c dorf robert h bishop 1998 automatic control 855 pages 0 reviews for more than twenty years modern control systems has set the standard

*modern control systems dorf richard c bishop robert h* - Sep 08 2022

web written to be equally useful for all engineering disciplines it covers topics such as classical control employing root locus design frequency and response design using bode and nyquist plots nbsp key topics introduction to control systems mathematical models of systems state variable models feedback control system characteristics the

**modern control systems 12th edition dorf richard c bishop** - Jul 18 2023

web about this edition modern control systems 12e is ideal for an introductory undergraduate course in control systems for engineering students written to be equally useful for all engineering disciplines this text is organized around the concept of control systems theory as it has been developed in the frequency and time domains

**modern control systems richard c dorf robert h bishop** - Apr 15 2023

web oct 15 2013 richard c dorf robert h bishop pearson prentice hall 2011 control theory 1082 pages modern control systems 12e is ideal for an introductory undergraduate course in control systems for engineering students

*modern control systems richard c dorf robert h bishop* - Dec 11 2022

web richard c dorf robert h bishop pearson prentice hall 2008 technology 1018 pages modern control systems is the most widely used textbook for introductory control theory courses taught in a variety of engineering disciplines

**modern control systems richard c dorf robert h bishop** - Mar 14 2023

web richard c dorf robert h bishop prentice hall 2008 automatic control 1018 pages modern control systems is the most widely used textbook for introductory control theory courses

**modern control systems 12th edition amazon com** - Jun 17 2023

web dorf s modern control systems is a good book it explains what a control system is and it takes us from classical to modern controls within several hundred pages it has a mass amount of well made diagrams and charts that make the problems clear

**modern control systems guide books acm digital library** - Aug 07 2022

web aug 1 2000 for more than twenty years modern control systems has set the standard of excellence for undergraduate control systems textbooks it has remained a bestseller because richard dorf and robert bishop have been able to take complex control theory and make it exciting and accessible to students

*modern control systems by richard c dorf open library* - Jun 05 2022

web mar 7 2023 imported from library of congress marc record modern control systems by richard c dorf richard c dorf robert h bishop 2008 pearson prentice hall pearson prentice hall edition in english 11th ed

**modern control systems pearson** - May 04 2022

web may 6 2021 modern control systems modern control systems 14th edition published by pearson may 5 2021 2022 richard c dorf robert h bishop best value

**modern control systems 12th edition request pdf** - Jul 06 2022

web jul 29 2010 modern control systems 13th edition january 2017 request pdf on jul 29 2010 richard c dorf and others published modern control systems 12th edition find read and cite all the research

*modern control systems richard c dorf robert h bishop* - Apr 03 2022

web jan 15 2016 modern control systems richard c dorf robert h bishop pearson education jan 15 2016 technology engineering 850 pages this is the ebook of the printed book and may not include any media website access codes or print supplements that may come packaged with the bound book

**modern control systems richard c dorf robert h bishop** - Aug 19 2023

web richard c dorf robert h bishop pearson 2011 control theory 1104 pages modern control systems 12e is ideal for an introductory undergraduate course in control systems for engineering students

**dorf modern control systems 12th edition part1 pdf google** - May 16 2023

web dorf modern control systems 12th edition part1 pdf google sheets loading

**modern control systems 12th edition dorf solutions manual** - Mar 02 2022

web jan 18 2019 modern control systems 12th edition richard c dorf and robert h bishop pdf

**modern kontrol sistemleri richard c dorf robert h bishop** - Feb 13 2023

web kağıt kapak 17 kasım 2020 modern kontrol sistemleri kitabının amacı geribeslemeli kontrol sistemleri teorisinin yapısını sunmak ve bir dizi heyecan verici keşiflerde bulunmaktadır kitap yeşil teknoloji gibi tasarım stratejilerine değinirken çeşitli gerçek dünyanın küresel boyuttaki mühendislik sorunlarını işlemektedir