

5 Removing and fitting range-change housing

5.1 Removing range-change housing

Standard transmission in vertical position with output at top (refer to preparatory work).

Variant A

- 1 Remove hex bolts (34.080), retaining plate (34.070) and king pin (34.050). Take the O-rings (34.060) off the king pin.

Variant B

Remove screw plug (34.100).
Remove joint bolt (34.050) and circlip (34.090).

NOTE

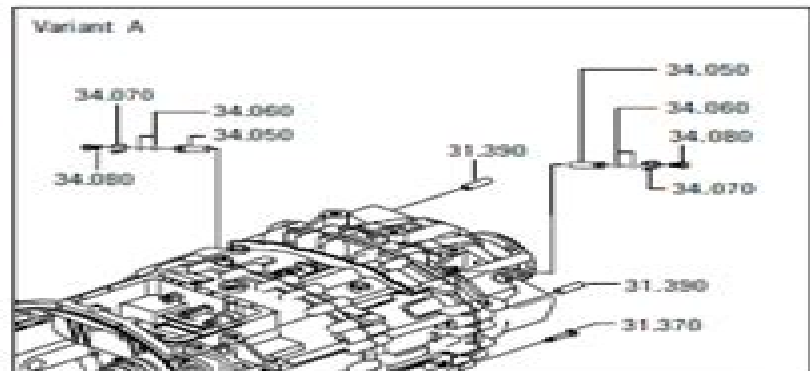
The joint bolts (34.050) have an M8 pull-off thread.

- 2 Remove 2 cylindrical pins (31.390) – extraction thread M12 – and 22 hex bolts (31.370).

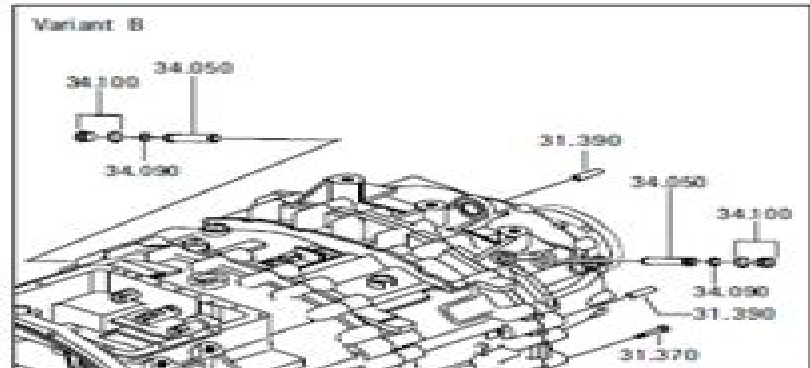
NOTE

Use drift key 1X56 138 063 to drive out cylindrical pins.

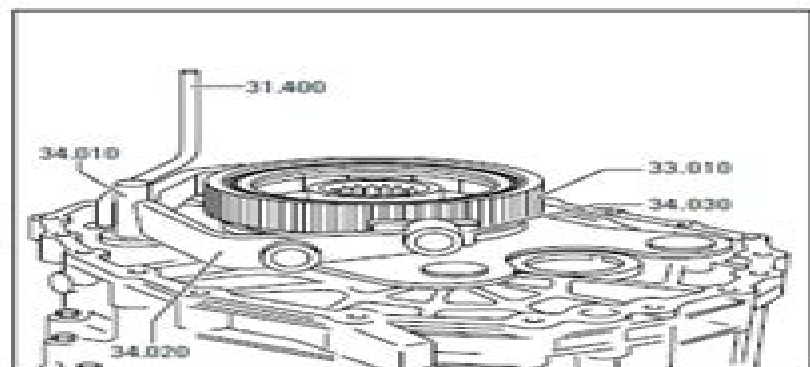
- 3 Secure 2 lifting lugs to the output flange or planetary carrier and attach chain.
- 4 Use a crane to carefully raise the complete range-change housing.
- 5 Remove spray pipe (31.400).
- 6 Raise selector rails (34.010) slightly and remove tumbler yoke (34.020) and fulcrum pads (34.030).
- 7 Remove complete synchronization (33.010).



0716 1367



0071 1367



0716 1374

Zf 12 As Tronic Repair

M Woodhall



Zf 12 As Tronic Repair:

The book delves into Zf 12 As Tronic Repair. Zf 12 As Tronic Repair is a crucial topic that needs to be grasped by everyone, ranging from students and scholars to the general public. The book will furnish comprehensive and in-depth insights into Zf 12 As Tronic Repair, encompassing both the fundamentals and more intricate discussions.

1. The book is structured into several chapters, namely:

- Chapter 1: Introduction to Zf 12 As Tronic Repair
- Chapter 2: Essential Elements of Zf 12 As Tronic Repair
- Chapter 3: Zf 12 As Tronic Repair in Everyday Life
- Chapter 4: Zf 12 As Tronic Repair in Specific Contexts
- Chapter 5: Conclusion

2. In chapter 1, this book will provide an overview of Zf 12 As Tronic Repair. This chapter will explore what Zf 12 As Tronic Repair is, why Zf 12 As Tronic Repair is vital, and how to effectively learn about Zf 12 As Tronic Repair.

3. In chapter 2, the author will delve into the foundational concepts of Zf 12 As Tronic Repair. This chapter will elucidate the essential principles that need to be understood to grasp Zf 12 As Tronic Repair in its entirety.

4. In chapter 3, the author will examine the practical applications of Zf 12 As Tronic Repair in daily life. This chapter will showcase real-world examples of how Zf 12 As Tronic Repair can be effectively utilized in everyday scenarios.

5. In chapter 4, the author will scrutinize the relevance of Zf 12 As Tronic Repair in specific contexts. The fourth chapter will explore how Zf 12 As Tronic Repair is applied in specialized fields, such as education, business, and technology.

6. In chapter 5, this book will draw a conclusion about Zf 12 As Tronic Repair. This chapter will summarize the key points that have been discussed throughout the book.

The book is crafted in an easy-to-understand language and is complemented by engaging illustrations. It is highly recommended for anyone seeking to gain a comprehensive understanding of Zf 12 As Tronic Repair.

http://www.frostbox.com/book/virtual-library/default.aspx/Writing_Nuclear_Equations_Answers.pdf

Table of Contents Zf 12 As Tronic Repair

1. Understanding the eBook Zf 12 As Tronic Repair

- The Rise of Digital Reading Zf 12 As Tronic Repair
 - Advantages of eBooks Over Traditional Books
2. Identifying Zf 12 As Tronic Repair
 - Exploring Different Genres
 - Considering Fiction vs. Non-Fiction
 - Determining Your Reading Goals
 3. Choosing the Right eBook Platform
 - Popular eBook Platforms
 - Features to Look for in an Zf 12 As Tronic Repair
 - User-Friendly Interface
 4. Exploring eBook Recommendations from Zf 12 As Tronic Repair
 - Personalized Recommendations
 - Zf 12 As Tronic Repair User Reviews and Ratings
 - Zf 12 As Tronic Repair and Bestseller Lists
 5. Accessing Zf 12 As Tronic Repair Free and Paid eBooks
 - Zf 12 As Tronic Repair Public Domain eBooks
 - Zf 12 As Tronic Repair eBook Subscription Services
 - Zf 12 As Tronic Repair Budget-Friendly Options
 6. Navigating Zf 12 As Tronic Repair eBook Formats
 - ePub, PDF, MOBI, and More
 - Zf 12 As Tronic Repair Compatibility with Devices
 - Zf 12 As Tronic Repair Enhanced eBook Features
 7. Enhancing Your Reading Experience
 - Adjustable Fonts and Text Sizes of Zf 12 As Tronic Repair
 - Highlighting and Note-Taking Zf 12 As Tronic Repair
 - Interactive Elements Zf 12 As Tronic Repair
 8. Staying Engaged with Zf 12 As Tronic Repair
 - Joining Online Reading Communities
 - Participating in Virtual Book Clubs
 - Following Authors and Publishers Zf 12 As Tronic Repair

9. Balancing eBooks and Physical Books Zf 12 As Tronic Repair
 - Benefits of a Digital Library
 - Creating a Diverse Reading Collection Zf 12 As Tronic Repair
10. Overcoming Reading Challenges
 - Dealing with Digital Eye Strain
 - Minimizing Distractions
 - Managing Screen Time
11. Cultivating a Reading Routine Zf 12 As Tronic Repair
 - Setting Reading Goals Zf 12 As Tronic Repair
 - Carving Out Dedicated Reading Time
12. Sourcing Reliable Information of Zf 12 As Tronic Repair
 - Fact-Checking eBook Content of Zf 12 As Tronic Repair
 - Distinguishing Credible Sources
13. Promoting Lifelong Learning
 - Utilizing eBooks for Skill Development
 - Exploring Educational eBooks
14. Embracing eBook Trends
 - Integration of Multimedia Elements
 - Interactive and Gamified eBooks

Zf 12 As Tronic Repair Introduction

Zf 12 As Tronic Repair Offers over 60,000 free eBooks, including many classics that are in the public domain. Open Library: Provides access to over 1 million free eBooks, including classic literature and contemporary works. Zf 12 As Tronic Repair Offers a vast collection of books, some of which are available for free as PDF downloads, particularly older books in the public domain. Zf 12 As Tronic Repair : This website hosts a vast collection of scientific articles, books, and textbooks. While it operates in a legal gray area due to copyright issues, its a popular resource for finding various publications. Internet Archive for Zf 12 As Tronic Repair : Has an extensive collection of digital content, including books, articles, videos, and more. It has a massive library of free downloadable books. Free-eBooks Zf 12 As Tronic Repair Offers a diverse range of free eBooks across various genres. Zf 12 As Tronic Repair Focuses mainly on educational books, textbooks, and business books. It offers free PDF downloads for educational purposes. Zf 12 As Tronic Repair Provides a large selection of free eBooks in

different genres, which are available for download in various formats, including PDF. Finding specific Zf 12 As Tronic Repair, especially related to Zf 12 As Tronic Repair, might be challenging as they're often artistic creations rather than practical blueprints. However, you can explore the following steps to search for or create your own Online Searches: Look for websites, forums, or blogs dedicated to Zf 12 As Tronic Repair, Sometimes enthusiasts share their designs or concepts in PDF format. Books and Magazines Some Zf 12 As Tronic Repair books or magazines might include. Look for these in online stores or libraries. Remember that while Zf 12 As Tronic Repair, sharing copyrighted material without permission is not legal. Always ensure you're either creating your own or obtaining them from legitimate sources that allow sharing and downloading. Library Check if your local library offers eBook lending services. Many libraries have digital catalogs where you can borrow Zf 12 As Tronic Repair eBooks for free, including popular titles. Online Retailers: Websites like Amazon, Google Books, or Apple Books often sell eBooks. Sometimes, authors or publishers offer promotions or free periods for certain books. Authors Website Occasionally, authors provide excerpts or short stories for free on their websites. While this might not be the Zf 12 As Tronic Repair full book, it can give you a taste of the author's writing style. Subscription Services Platforms like Kindle Unlimited or Scribd offer subscription-based access to a wide range of Zf 12 As Tronic Repair eBooks, including some popular titles.

FAQs About Zf 12 As Tronic Repair Books

How do I know which eBook platform is the best for me? Finding the best eBook platform depends on your reading preferences and device compatibility. Research different platforms, read user reviews, and explore their features before making a choice. Are free eBooks of good quality? Yes, many reputable platforms offer high-quality free eBooks, including classics and public domain works. However, make sure to verify the source to ensure the eBook's credibility. Can I read eBooks without an eReader? Absolutely! Most eBook platforms offer web-based readers or mobile apps that allow you to read eBooks on your computer, tablet, or smartphone. How do I avoid digital eye strain while reading eBooks? To prevent digital eye strain, take regular breaks, adjust the font size and background color, and ensure proper lighting while reading eBooks. What the advantage of interactive eBooks? Interactive eBooks incorporate multimedia elements, quizzes, and activities, enhancing the reader engagement and providing a more immersive learning experience. Zf 12 As Tronic Repair is one of the best books in our library for free trial. We provide a copy of Zf 12 As Tronic Repair in digital format, so the resources that you find are reliable. There are also many eBooks related to Zf 12 As Tronic Repair. Where to download Zf 12 As Tronic Repair online for free? Are you looking for Zf 12 As Tronic Repair PDF? This is definitely going to save you time and cash in something you should think about. If you're trying to find then search around for online. Without a doubt there are numerous

these available and many of them have the freedom. However without doubt you receive whatever you purchase. An alternate way to get ideas is always to check another Zf 12 As Tronic Repair. This method for see exactly what may be included and adopt these ideas to your book. This site will almost certainly help you save time and effort, money and stress. If you are looking for free books then you really should consider finding to assist you try this. Several of Zf 12 As Tronic Repair are for sale to free while some are payable. If you arent sure if the books you would like to download works with for usage along with your computer, it is possible to download free trials. The free guides make it easy for someone to free access online library for download books to your device. You can get free download on free trial for lots of books categories. Our library is the biggest of these that have literally hundreds of thousands of different products categories represented. You will also see that there are specific sites catered to different product types or categories, brands or niches related with Zf 12 As Tronic Repair. So depending on what exactly you are searching, you will be able to choose e books to suit your own need. Need to access completely for Campbell Biology Seventh Edition book? Access Ebook without any digging. And by having access to our ebook online or by storing it on your computer, you have convenient answers with Zf 12 As Tronic Repair To get started finding Zf 12 As Tronic Repair, you are right to find our website which has a comprehensive collection of books online. Our library is the biggest of these that have literally hundreds of thousands of different products represented. You will also see that there are specific sites catered to different categories or niches related with Zf 12 As Tronic Repair So depending on what exactly you are searching, you will be able to choose ebook to suit your own need. Thank you for reading Zf 12 As Tronic Repair. Maybe you have knowledge that, people have search numerous times for their favorite readings like this Zf 12 As Tronic Repair, but end up in harmful downloads. Rather than reading a good book with a cup of coffee in the afternoon, instead they juggled with some harmful bugs inside their laptop. Zf 12 As Tronic Repair is available in our book collection an online access to it is set as public so you can download it instantly. Our digital library spans in multiple locations, allowing you to get the most less latency time to download any of our books like this one. Merely said, Zf 12 As Tronic Repair is universally compatible with any devices to read.

Find Zf 12 As Tronic Repair :

[writing nuclear equations answers](#)

~~[writing and balancing equations alternate option answers](#)~~

writing in the sciences penrose

[wow jenkins achievement guide](#)

[wpn824 installation guide](#)

wsus server 3 manual

wrath alchemy leveling guide

x paper engineering science n1

wppsi iv manual discrepancy

wrong a themed anthology

www tcu go tz guide

~~wsi update answers~~

wrt54g manual guide

writer block essay writing

~~write my college application essay~~

Zf 12 As Tronic Repair :

canine olfaction science and law advances in forensic science - Jun 09 2022

web edited and contributed to by eminent scholars canine olfaction science and law advances in forensic science medicine conservation and environmental remediation takes a systematic scientific approach to canine olfaction 491 p preview

canine olfaction science and law advances in forensic - Aug 23 2023

web apr 29 2016 abstract the value of the canine nose is well documented and working dogs are being utilized for their olfactory skills in an increasing number of fields not only

canine olfaction science and law advances in forensic science - Jul 22 2023

web canine olfaction science and law advances in forensic science medicine conservation and environmental remediation responsibility

canine olfaction science and law advances in forensic science - Feb 05 2022

web canine olfaction science and law advances in fore and numerous books collections from fictions to scientific research in any way in the midst of them is this canine olfaction

canine olfaction sciencedirect - Jun 21 2023

web jan 1 2020 canine olfactory learning and behavior canine olfaction science and law advances in forensic science medicine conservation and environmental remediation

canine olfaction science and law advances in fore pdf - Jan 04 2022

web sep 19 2023 and law advances in fore can be taken as competently as picked to act predator prey dynamics michael r conover 2007 03 30 humans being visually

canine olfaction science and law advances in forensic science - Mar 18 2023

web canine olfaction science and law advances in forensic science medicine conservation and environmental remediation
tadeusz jeziarski john ensminger and

[canine olfaction science and law advances in forensic science](#) - Jul 10 2022

web edited and contributed to by eminent scholars canine olfaction science and law advances in forensic science medicine
conservation and environmental

canine olfaction science and law advances in fore pdf - Dec 03 2021

1st edition kindle edition amazon com - Apr 07 2022

web 2 canine olfaction science and law advances in fore 2021 09 27 and related fields the same examples are then solved
using the sas software package written primarily

canine olfaction physiology behavior and possibilities for - Oct 13 2022

web olfaction in animal behaviour and welfare apr 19 2021 evidence based yet entirely practical this important new text
builds upon the basics of neuroscience to describe the

[canine olfaction physiology behavior and possibilities](#) - Dec 15 2022

web aug 21 2021 jeziarski t ensminger j papet l e canine olfaction science and law advances in forensic science medicine
conservation and environmental

[canine olfaction science and law advances in forensic science](#) - Jan 16 2023

web it aids trainers and handlers of detection dogs as well as various professionals in healthcare law enforcement forensic
science and environmental conservation to gain a better

[canine olfaction science and law advances in](#) - Sep 24 2023

web edited and contributed to by eminent scholars canine olfaction science and law advances in forensic science medicine
conservation and environmental remediation takes a systematic scientific approach to canine olfaction

canine olfaction science and law advances in - Feb 17 2023

web crc press apr 20 2016 law 510 pages 1 review reviews aren t verified but google checks for and removes fake content
when it s identified the value of the canine nose is

[canine olfaction science and law advances in fore full pdf](#) - Mar 06 2022

web small animals canine olfaction science and law advances in forensic science medicine conservation and environmental
remediation 981 canine olfaction science and law advances in forensic science medicine conservation and environmental

remediation by tadeusz jeziarski john ensminger and l e papet

[canine olfaction science and law advances in forensic science](#) - May 08 2022

web apr 27 2016 canine olfaction science and the law advances in forensic science medicine conservation and environmental remediation edited by tadeusz jeziarski

canine olfaction science and law advances in forensic science - Aug 11 2022

web a useful practical reference canine olfaction science and law provides a wealth of information beneficial to a wide range of disciplines it aids trainers and handlers of detection dogs as well as various professionals in healthcare law enforcement forensic science and environmental conservation to gain a better understanding of the

canine olfaction science and law advances in forensic science - May 20 2023

web feb 7 2017 canine olfaction science and law advances in forensic science medicine conservation and environmental remediation tadeusz jeziarski john ensminger and l

canine olfaction science and law advances in forensic science - Apr 19 2023

web apr 20 2016 edited and contributed to by eminent scholars canine olfaction science and law advances in forensic science medicine conservation and environmental

pdf book review on canine olfaction science and - Nov 14 2022

web aug 21 2021 here we provide an overview of canine olfaction discussing aspects connected with anatomy physiology behavioral aspects of sniffing and factors

canine olfaction science and law advances in fore - Sep 12 2022

web apr 20 2016 edited and contributed to by eminent scholars canine olfaction science and law advances in forensic science medicine conservation and environmental

how to reset audi s mmi system a1 a3 a4 a5 a6 a7 q3 - Apr 20 2023

web jan 10 2018 mmi reset audi a1 a3 a4 a5 a6 a7 q3 q5 q7 quick video if any of you guys are stuck or your screen has frozen and you need to reset your mmi system this is how you do it and its the same

reset mmi audiworld forums - Aug 12 2022

web sep 8 2020 audi q8 reset mmi hello all in case someone about to yell at me for using the search button i did and didn t find anything about the mmi reset anyway i just ran into the issue where the mmi stuck at the audi smartphone screen and couldn t access anywhere even the home screen

audi why does my mmi display not come on audiworld - Feb 18 2023

web mar 28 2016 trim tool new mmi system optional step 1 reset the mmi it may be glitching the software that runs the mmi may just be experiencing a glitch or crash which can also be completely temporary this generally happens if the system has too many things going on at the same time

mmi reset 2021 audi q7 audiworld forums - Nov 15 2022

web jun 25 2021 whitewolf 4x4 06 25 2021 q7 mkii discussion mmi reset 2021 audi q7 2021 audi q7 i can't seem to find a thread that shows how to reset it for this model year please post a link if so i've restarted the car several times and let it sit overnight and no luck this has happened 4-5 times already but usually on 5-6 restarts

how to reset the mmi it still runs - May 09 2022

web how to reset the mmi by joshua benjamin the audi multi media interface mmi is essentially a souped up radio that also includes support for mp3 devices gps devices voice command support and a host of other features

how to reset audi mmi 2020 gearshifters - Jul 11 2022

web how can i reset the ui on my audi smartphone reset network settings by selecting settings general reset additionally the wi-fi network and passwords your cellular settings and any previous vpn or apn settings will all be reset by doing this why won't my audi mmi work if your mmi doesn't even turn on it's most likely not

how to reset audi mmi system gearshifters - Feb 06 2022

web press the on/off button fig 1 or one of the function selector buttons fig 2 for a brief period of time to turn on the mmi system press and hold the on/off button until the mmi is turned off to turn off the mmi system if the mmi system was manually shut off the previous time it was used it will not turn on when the ignition is turned on

how to factory reset mmi audiworld forums - May 21 2023

web jan 3 2017 1 scroll to the settings option in the mmi and select it scroll down to the factory settings option and select it 2 choose select all entries to reset everything or pick and choose the individual options you want 3 at the bottom of the list select restore factory settings the process takes a few minutes if you select everything

mmi factory reset ross tech forums - Jun 10 2022

web mar 19 2022 is it possible to do full factory reset of audi mmi via vcds i mean not a hard reset 3 buttons like a return factory settings to the mmi because my mmi stuck on a splash screen

how to reset mmi on audi autonationhq - Apr 08 2022

web mar 30 2023 steps to reset the mmi system on an audi vehicle to perform a reset of the mmi system on an audi vehicle follow these steps 1 start by turning on your ignition but ensure that your vehicle is not in motion 2 locate and press and hold down both the menu and setup buttons simultaneously for about 10 seconds 3

how do you reset the mmi audiworld forums - Oct 14 2022

web oct 6 2018 how do you reset the mmi i've been going through multiple different articles and videos all to no avail here i have a 2018 A5 Sportback and am trying to reset hard reset the mmi is there a particular button combination that works reply like 10 06 2018 03 08 pm 2 the g man audiworld super user join date oct 2008 location boston ma

audi mmi how to force restart or reboot youtube - Jul 23 2023

web may 23 2019 audi mmi how to force restart or reboot home of the obsessed 328 subscribers subscribe 687 share 179k views 4 years ago if your audi mmi isn t

[audi mmi help mmi video tutorials audi usa](#) - Sep 13 2022

web with the tutorials available here you can learn how to utilize the audi mmi system to control your audio navigation and vehicle settings

audi mmi forced reboot the definitive guide 1 step - Aug 24 2023

web sep 3 2023 signs you need an audi mmi forced reboot which audi models need the mmi reset the myaudi app and mmi a complex relationship insider info from my audi dealer step by step guide to the audi mmi forced reboot audi mmi reset faqs quick fixes before the big reboot wrap up bonus audi accessories for the ultimate

audi mmi forced reboot in 15 seconds how to fix the frozen - Jun 22 2023

web mar 23 2022 fix your audi mmi screen in just 15 seconds by rebooting it audi mmi forced reboot is sometimes necessary when frozen the audi infotainment screen won t show you your nav system play the radio

[audi a6 mmi zurücksetzen mmi reset vitjawolf tutorial hd](#) - Mar 07 2022

web apr 5 2019 hier setzen wir das mmi zurück bei einem audi a6 ross tech vcds xxl 115076 xxl automotive shop bit ly 3xhbrne 5 rabattcode vitjawolf kamera p

[how to reset mmi system in audi imgvehicle com](#) - Jan 17 2023

web sep 6 2021 the way to reset the mmi system on your own is child s play it can be done in two simple steps the first step is to press and hold the menu function button then do the same with the control button central and the control button located in the upper right corner hold them all at the same time

[exciting tips and tricks on how to reset mmi 2023 weavers](#) - Jan 05 2022

web apr 23 2023 before diving into how to reset mmi in audi it s essential to understand that there are different mmi systems depending on the model and year of your vehicle some of the most common audi mmi systems include mmi basic 2g this is the first generation of audi s mmi system found in vehicles from 2001 to 2008 it features a monochrome

how to force reboot audi mmi 2g 3g a1 a4 a5 a6 a7 a8 q3 q5 q7 reset - Mar 19 2023

web oct 16 2013 mr fix 170k subscribers subscribe 1 1m views 9 years ago force reboot audi mmi 2g 3g frozen screen if your navigation freezes and stopped responding restart the system to fix it all you

[audi a4 year 2014 restarting the mmi system reset](#) - Dec 16 2022

web audi a4 year 2014 restarting the mmi system reset instruction book audi a4 version year 2014 audi mmi controls system settings fig 1 combination of buttons for restart press and briefly hold the menu button the rotary pushbutton and the top right control button fig 1 simultaneously and then release the buttons again

bugs in writing a guide to debugging your prose pdf - Sep 20 2023

web bugs in writing a guide to debugging your prose author lyn dupré language english isbn 9780201379211 020137921x year 2008 pages 666 file size 56 3 mb total downloads 2 638 total views 10 081 edition ed rev 11th printing pages in file 692 identifier 9780201379211 020137921x org file size 58 988 853 extension pdf

bugs in writing revised edition a guide to debugg 2022 - Mar 02 2022

web editionbuy bugs in writing revised edition a guide to debugging your prose 2 by dupre lyn isbn 9780201379211 from amazon s book store everyday low prices and free delivery on eligible orders bugs in writing revised edition a guide to debugging your prose amazon co uk dupre lyn 9780201379211 booksbugs in writing

bugs in writing revised edition a guide to debugging your - Jul 06 2022

web bugs in writing revised edition a guide to debugging your prose dupre lyn amazon es libros

bugs in writing revised edition a guide to debugging your - Aug 19 2023

web bugs in writing revised edition a guide to debugging your prose dupre lyn amazon com tr

bugs in writing revised edition a guide to debugg vickie li - Jun 05 2022

web you could buy guide bugs in writing revised edition a guide to debugg or get it as soon as feasible you could speedily download this bugs in writing revised edition a guide to debugg after getting deal so when you require the book swiftly you can straight acquire it its correspondingly agreed easy and as a result fats isnt it you

bugs in writing a guide to debugging your prose - May 16 2023

web bugs in writing a guide to debugging your prose bugs classification system author lyn dupré edition 2 illustrated revised publisher addison wesley 1998 original from the

bugs in writing revised edition a guide to debugging your - May 04 2022

web 2 bugs in writing revised edition a guide to debugging your prose 2nd edition 2019 08 18 this book is very serious c programming stuff a complete introduction to c language you ll learn everything from the fundamentals to advanced topics if you ve read this book you know what to expect a visually rich format designed for the way your brain

bugs in writing revised edition a guide to debugg pdf - Apr 03 2022

web bugs in writing revised edition a guide to debugg 1 9 downloaded from uniport edu ng on july 23 2023 by guest bugs in writing revised edition a guide to debugg as recognized adventure as capably as experience approximately lesson amusement as

bugs in writing revised edition a guide to debugging your - Jul 18 2023

web bugs in writing revised edition a guide to debugging your prose paperback 3 june 1998 by lyn dupre author 4 0 17 ratings see all formats and editions paperback s 170 80 3 used from s 79 20 2 new from s 170 80 bugs in writing written with

verve and wit may be the first book on writing that people read for sheer fun

bugs in writing a guide to debugging your prose guide books - Nov 10 2022

web jan 1 1995 recommendations dupre proposes to teach computer people how to write well by showing them how to recognize and avoid a small set of extremely common errors that are endemic in scientific and technical writing

bugs in writing revised edition a guide to debugging your prose - Apr 15 2023

web bugs in writing revised edition a guide to debugging your prose paperback 9 feb 1998 bugs in writing written with verve and wit may be the first book on writing that people read for sheer fun designed for easy browsing it comprises 150 independent and easily digestible segments

bugs in writing revised edition a guide to debugging your - Aug 07 2022

web compre online bugs in writing revised edition a guide to debugging your prose de dupre lyn na amazon frete grÁtis em milhares de produtos com o amazon prime encontre diversos livros escritos por dupre lyn com ótimos preços

bugs in writing revised edition a guide to debugging your prose - Dec 11 2022

web bugs in writing revised edition a guide to debugging your prose dupre lyn amazon de bücher bücher fachbücher geisteswissenschaften gebraucht kaufen 30 06 lieferung für 3 20 21 april details lieferadresse wählen gebraucht gut details verkauft von medimops in den einkaufswagen möchtest du verkaufen

bugs in writing a guide to debugging your prose - Jun 17 2023

web bugs in writing a guide to debugging your prose by dupré lyn publication date 1995 topics english language english language report writing publisher openlibrary edition ol1104710m openlibrary work ol2743029w page progression lr page number confidence 93 78 pages 694 pdf module version 0 0 20 ppi 386 related

bugs in writing revised edition a guide to debugging your informit - Sep 08 2022

web bugs in writing revised edition a guide to debugging your prose 2nd edition by lyn dupre published feb 9 1998 by addison wesley professional book sorry this book is no longer in print not for sale description sample content updates copyright 1998 dimensions 7 3 8 x 9 1 4 edition 2nd book isbn 10 0 201 37921 x

bugs in writing revised edition a guide to debugg pinakin - Feb 01 2022

web of each success next door to the message as capably as sharpness of this bugs in writing revised edition a guide to debugg can be taken as skillfully as picked to act system verilog assertions and functional coverage ashok b mehta 2023 04 05 this book provides a hands on application oriented guide to the language and

bugs in writing a guide to debugging your prose goodreads - Jan 12 2023

web jan 15 1995 4 10 80 ratings6 reviews as computers become ubiquitous in our society more people are focusing on learning technology often at the expense of developing more basic academic skills most notably proper writing revised and

enhanced this critically acclaimed and highly praised handbook provides a light but thorough approach to

bugs in writing revised edition a guide to debugging your - Mar 14 2023

web bugs in writing revised edition a guide to debugging your prose 2nd edition the uncommon law of learned writing smart and gets things done introduction to computation and programming using python revised and expanded edition practical unix and internet security effective c programming head first c mastering c

amazon bugs in writing revised edition a guide to debugging - Oct 09 2022

web feb 9 1998 amazon bugs in writing revised edition a guide to debugging your prose dupre lyn writing skills □□□□□□□□□□

□□□ co jp □□□□□ □□□□□□□ □□ □□□□□□□□□□□□□□□□□

bugs in writing a guide to debugging your prose - Feb 13 2023

web bugs in writing revised edition was developed for anyone who writes and works with computers including computer and other scientist students professors business people programmers