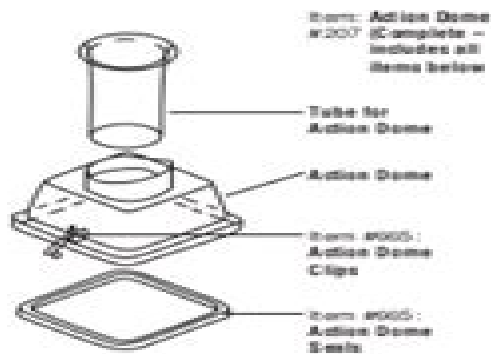


Item #63 Vita-Mix® Instructions

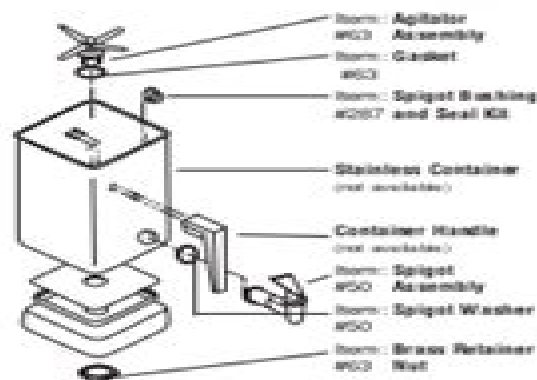
Container Agitator Assembly Replacement

Step 1 – Installation of the new assembly: The new assembly is pre-assembled and only requires removal of the large hexagonal nut before installation. Put the blade assembly in place, making sure the rubber gasket stays with the assembly. Install the large retainer nut tightly to hold the assembly in place.

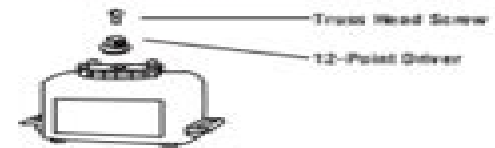
Action Dome Assembly



4000 & 3600 Plus Container Assembly



Motor Parts 4000, 3600 Plus & Converted 3600

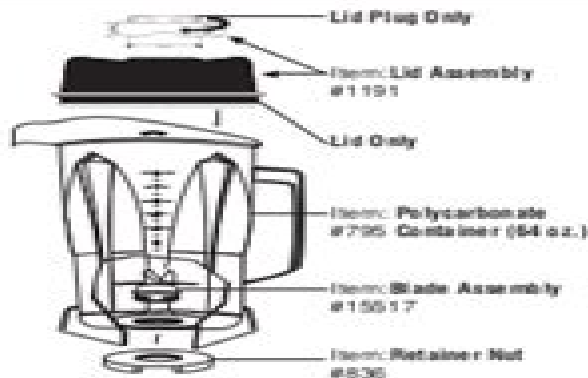


Item #63 – Agitator Assembly (3600 Plus/4000)

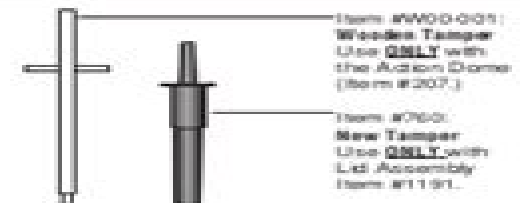


Parts available For Discontinued 64 oz. Polycarbonate Container

64 oz. Container Set



Important Warning About Tamper



8615 Usher Road
Cleveland, Ohio 44138
(440) 235-6840 • www.vitamix.com

E-Mail: service@vitamix.com
Web: www.vitamix.com

200-1701 Shepherd St. East
Windsor, Ontario N8Y 4Y5
(440) 235-6840 • www.vitamix.com

Vita Mix Sidewinder 22owner Manual

J Ma



Vita Mix Sidewinder 22owner Manual:

Right here, we have countless book **Vita Mix Sidewinder 22owner Manual** and collections to check out. We additionally allow variant types and furthermore type of the books to browse. The good enough book, fiction, history, novel, scientific research, as without difficulty as various extra sorts of books are readily simple here.

As this Vita Mix Sidewinder 22owner Manual, it ends happening visceral one of the favored books Vita Mix Sidewinder 22owner Manual collections that we have. This is why you remain in the best website to see the amazing ebook to have.

<http://www.frostbox.com/files/browse/index.jsp/Volvo%20Aq170%20Service%20Manual.pdf>

Table of Contents Vita Mix Sidewinder 22owner Manual

1. Understanding the eBook Vita Mix Sidewinder 22owner Manual
 - The Rise of Digital Reading Vita Mix Sidewinder 22owner Manual
 - Advantages of eBooks Over Traditional Books
2. Identifying Vita Mix Sidewinder 22owner Manual
 - Exploring Different Genres
 - Considering Fiction vs. Non-Fiction
 - Determining Your Reading Goals
3. Choosing the Right eBook Platform
 - Popular eBook Platforms
 - Features to Look for in an Vita Mix Sidewinder 22owner Manual
 - User-Friendly Interface
4. Exploring eBook Recommendations from Vita Mix Sidewinder 22owner Manual
 - Personalized Recommendations
 - Vita Mix Sidewinder 22owner Manual User Reviews and Ratings
 - Vita Mix Sidewinder 22owner Manual and Bestseller Lists
5. Accessing Vita Mix Sidewinder 22owner Manual Free and Paid eBooks
 - Vita Mix Sidewinder 22owner Manual Public Domain eBooks

- Vita Mix Sidewinder 22owner Manual eBook Subscription Services
- Vita Mix Sidewinder 22owner Manual Budget-Friendly Options
- 6. Navigating Vita Mix Sidewinder 22owner Manual eBook Formats
 - ePub, PDF, MOBI, and More
 - Vita Mix Sidewinder 22owner Manual Compatibility with Devices
 - Vita Mix Sidewinder 22owner Manual Enhanced eBook Features
- 7. Enhancing Your Reading Experience
 - Adjustable Fonts and Text Sizes of Vita Mix Sidewinder 22owner Manual
 - Highlighting and Note-Taking Vita Mix Sidewinder 22owner Manual
 - Interactive Elements Vita Mix Sidewinder 22owner Manual
- 8. Staying Engaged with Vita Mix Sidewinder 22owner Manual
 - Joining Online Reading Communities
 - Participating in Virtual Book Clubs
 - Following Authors and Publishers Vita Mix Sidewinder 22owner Manual
- 9. Balancing eBooks and Physical Books Vita Mix Sidewinder 22owner Manual
 - Benefits of a Digital Library
 - Creating a Diverse Reading Collection Vita Mix Sidewinder 22owner Manual
- 10. Overcoming Reading Challenges
 - Dealing with Digital Eye Strain
 - Minimizing Distractions
 - Managing Screen Time
- 11. Cultivating a Reading Routine Vita Mix Sidewinder 22owner Manual
 - Setting Reading Goals Vita Mix Sidewinder 22owner Manual
 - Carving Out Dedicated Reading Time
- 12. Sourcing Reliable Information of Vita Mix Sidewinder 22owner Manual
 - Fact-Checking eBook Content of Vita Mix Sidewinder 22owner Manual
 - Distinguishing Credible Sources
- 13. Promoting Lifelong Learning
 - Utilizing eBooks for Skill Development
 - Exploring Educational eBooks

14. Embracing eBook Trends

- Integration of Multimedia Elements
- Interactive and Gamified eBooks

Vita Mix Sidewinder 22owner Manual Introduction

Free PDF Books and Manuals for Download: Unlocking Knowledge at Your Fingertips In today's fast-paced digital age, obtaining valuable knowledge has become easier than ever. Thanks to the internet, a vast array of books and manuals are now available for free download in PDF format. Whether you are a student, professional, or simply an avid reader, this treasure trove of downloadable resources offers a wealth of information, conveniently accessible anytime, anywhere. The advent of online libraries and platforms dedicated to sharing knowledge has revolutionized the way we consume information. No longer confined to physical libraries or bookstores, readers can now access an extensive collection of digital books and manuals with just a few clicks. These resources, available in PDF, Microsoft Word, and PowerPoint formats, cater to a wide range of interests, including literature, technology, science, history, and much more. One notable platform where you can explore and download free Vita Mix Sidewinder 22owner Manual PDF books and manuals is the internet's largest free library. Hosted online, this catalog compiles a vast assortment of documents, making it a veritable goldmine of knowledge. With its easy-to-use website interface and customizable PDF generator, this platform offers a user-friendly experience, allowing individuals to effortlessly navigate and access the information they seek. The availability of free PDF books and manuals on this platform demonstrates its commitment to democratizing education and empowering individuals with the tools needed to succeed in their chosen fields. It allows anyone, regardless of their background or financial limitations, to expand their horizons and gain insights from experts in various disciplines. One of the most significant advantages of downloading PDF books and manuals lies in their portability. Unlike physical copies, digital books can be stored and carried on a single device, such as a tablet or smartphone, saving valuable space and weight. This convenience makes it possible for readers to have their entire library at their fingertips, whether they are commuting, traveling, or simply enjoying a lazy afternoon at home. Additionally, digital files are easily searchable, enabling readers to locate specific information within seconds. With a few keystrokes, users can search for keywords, topics, or phrases, making research and finding relevant information a breeze. This efficiency saves time and effort, streamlining the learning process and allowing individuals to focus on extracting the information they need. Furthermore, the availability of free PDF books and manuals fosters a culture of continuous learning. By removing financial barriers, more people can access educational resources and pursue lifelong learning, contributing to personal growth and professional development. This democratization of knowledge promotes intellectual curiosity and empowers individuals to become lifelong learners, promoting progress and innovation in various fields. It is worth noting that

while accessing free Vita Mix Sidewinder 22owner Manual PDF books and manuals is convenient and cost-effective, it is vital to respect copyright laws and intellectual property rights. Platforms offering free downloads often operate within legal boundaries, ensuring that the materials they provide are either in the public domain or authorized for distribution. By adhering to copyright laws, users can enjoy the benefits of free access to knowledge while supporting the authors and publishers who make these resources available. In conclusion, the availability of Vita Mix Sidewinder 22owner Manual free PDF books and manuals for download has revolutionized the way we access and consume knowledge. With just a few clicks, individuals can explore a vast collection of resources across different disciplines, all free of charge. This accessibility empowers individuals to become lifelong learners, contributing to personal growth, professional development, and the advancement of society as a whole. So why not unlock a world of knowledge today? Start exploring the vast sea of free PDF books and manuals waiting to be discovered right at your fingertips.

FAQs About Vita Mix Sidewinder 22owner Manual Books

1. Where can I buy Vita Mix Sidewinder 22owner Manual books? Bookstores: Physical bookstores like Barnes & Noble, Waterstones, and independent local stores. Online Retailers: Amazon, Book Depository, and various online bookstores offer a wide range of books in physical and digital formats.
2. What are the different book formats available? Hardcover: Sturdy and durable, usually more expensive. Paperback: Cheaper, lighter, and more portable than hardcovers. E-books: Digital books available for e-readers like Kindle or software like Apple Books, Kindle, and Google Play Books.
3. How do I choose a Vita Mix Sidewinder 22owner Manual book to read? Genres: Consider the genre you enjoy (fiction, non-fiction, mystery, sci-fi, etc.). Recommendations: Ask friends, join book clubs, or explore online reviews and recommendations. Author: If you like a particular author, you might enjoy more of their work.
4. How do I take care of Vita Mix Sidewinder 22owner Manual books? Storage: Keep them away from direct sunlight and in a dry environment. Handling: Avoid folding pages, use bookmarks, and handle them with clean hands. Cleaning: Gently dust the covers and pages occasionally.
5. Can I borrow books without buying them? Public Libraries: Local libraries offer a wide range of books for borrowing. Book Swaps: Community book exchanges or online platforms where people exchange books.
6. How can I track my reading progress or manage my book collection? Book Tracking Apps: Goodreads, LibraryThing, and Book Catalogue are popular apps for tracking your reading progress and managing book collections. Spreadsheets:

You can create your own spreadsheet to track books read, ratings, and other details.

7. What are Vita Mix Sidewinder 22owner Manual audiobooks, and where can I find them? Audiobooks: Audio recordings of books, perfect for listening while commuting or multitasking. Platforms: Audible, LibriVox, and Google Play Books offer a wide selection of audiobooks.
8. How do I support authors or the book industry? Buy Books: Purchase books from authors or independent bookstores. Reviews: Leave reviews on platforms like Goodreads or Amazon. Promotion: Share your favorite books on social media or recommend them to friends.
9. Are there book clubs or reading communities I can join? Local Clubs: Check for local book clubs in libraries or community centers. Online Communities: Platforms like Goodreads have virtual book clubs and discussion groups.
10. Can I read Vita Mix Sidewinder 22owner Manual books for free? Public Domain Books: Many classic books are available for free as they're in the public domain. Free E-books: Some websites offer free e-books legally, like Project Gutenberg or Open Library.

Find Vita Mix Sidewinder 22owner Manual :

volvo aq170 service manual

~~volvo 850 owner manual~~

volvo 290 dp manual

[volvo penta outboard motor specifications](#)

[volvo 2001 s40 service repair manual](#)

volvo penta 5 0 efi owners manual

[volvo penta md6a engine manual](#)

~~volvo ec 350d excavator manual~~

[volvo md11c ms2 manual](#)

~~volvo 940 manual~~

[volvo owners manual 740](#)

volvo 734 ge workshop manual

volvo excavator repair manual

volvo 850 automatic transmission repair

volvo d13 operators manual

Vita Mix Sidewinder 22owner Manual :

10 best plants for indoor living walls vert plantworks - Feb 15 2023

web feb 20 2023 10 best plants for indoor living walls ultimate guide from plantscaping pros vert plantworks green walls plantscaping biophilic design the plantscapers of vert plantworks recommend the top 10 best plants for any indoor living green wall

12 best indoor plants that are impossible to kill honeykids asia - Aug 09 2022

web feb 13 2023 photography sai abhinivesh burla via unsplash also known as devil s ivy because of how impossible it is to kill this plant stays green even when kept in the dark if you ve got furkids especially young ones be sure to hang this one up high because it is toxic to cats and dogs 10 bougainvillaeas

indoor plant inspiration and ideas for your home bloomscape - Aug 21 2023

web suggested searches money tree olive tree pothos snake plant green living inspiration and ideas for creating an inviting space with plants green living our favorite plants for dad green living 15 pet friendly plants safe for cats and dogs green living 3 plants that will bring luck into your life green living top 5 houseplants to buy in the winter

18 best indoor plants for the living room the spruce - Jun 07 2022

web jun 29 2023 if you love color the red chinese evergreen is a great plant for your living room the plant s leaves are variegated and the color of the foliage will be brighter when it gets more light they are toxic to pets if ingested light will do well in indirect light but color will be brighter when it gets a lot of light

a beginner s guide to indoor house plants and where to get them - May 18 2023

web jun 29 2021 as a budding houseplant owner your first pot of greenery should definitely be the sansevieria more commonly known as the mother in law s tongue or snake plant the reason behind that is simple it s one of the most tolerant plants around meaning to say it ll survive even with neglect

indoor green living with plants by bree claffey goodreads - Jul 20 2023

web oct 1 2015 1 book1 follower ratings what do you think rate this book friends following create a free account to discover what your friends think of this book 39 36 33 30 28 25 displaying 1 18 of 18 reviews 97 followers readrantrockandroll com i saw indoor green living with plants at my local library and didn t hesitate to pick it up

the 10 best indoor plants of 2023 the spruce - Sep 22 2023

web mar 17 2023 the 10 best indoor plants of 2023 liven up your space with these picks by neeti mehra updated on 03 17 23 fact checked by richard scherr the spruce chloe jeong the humble houseplant can transform your home by improving the indoor environment and elevating your mood one leaf at a time

10 indoor plants that improve overall health and wellness one green - Sep 29 2021

web 6 snake plant source shutterstock snake plants absorb co2 and convert it into oxygen they re a great plant to place in your bedroom because they ll improve the air quality as you sleep

17 most popular houseplants the spruce - Mar 16 2023

web jun 23 2022 peace lily the spruce cara cormack the graceful white spathes of the peace lily have long been rendered in silk plants but there s no reason to go fake when the living specimens of spathiphyllum are so easy to grow peace lilies do well in low light but need regular moisture light low light water moist

25 best indoor plants to liven up your home house beautiful - Nov 12 2022

web oct 30 2023 lifestyle gardening 25 best indoor plants to liven up your home they re so easy to keep alive by the editors of house beautiful published oct 30 2023 save article adding a few indoor

interior green plants trends and ideas plantscape live - Dec 01 2021

web interior green plants trends and ideas plantscape live trends 7 ideas for a successful indoor garden in trends indoor gardening is a process where plants are planted and grown indoors however we know how hard and boring that can be no one wants to see a small square devoted to plants in an indoor area

22 best indoor plants for low light and more per experts women s health - Mar 04 2022

web oct 10 2023 for easy home decor get a plant these 22 best indoor plants thrive in low light and are great for your living room bedroom air purification and more

indoor plants 13 of the best house plants better homes and - May 06 2022

web 1 monstera deliciosa or swiss cheese plant adobe stock there s no doubt you ve seen the swiss cheese plant all over pinterest as they re one of the most popular indoor plants going around right now their lush green leaves with distinctive holes make a stunning statement in any room and they can grow to fit any space

do air purifying plants really work here s what you need to know - Aug 29 2021

web nov 13 2023 the same study also found that indoor green walls of plants were effective at removing co2 if additional lighting was in place the university carried out further research in conjunction with the rhs in 2022 in an average sized living room you need at least five plants

7 science backed benefits of indoor plants healthline - Jan 14 2023

web sep 18 2020 here are seven benefits science says indoor plants may provide 1 indoor plants may help reduce stress levels a study published in the journal of physiological anthropology found that plants in

house plants air purifying indoor living room plants the green - Jan 02 2022

web home garden plants house plants common air purifying indoor plants showing 1 12 of 321 results show sidebar add to wishlist begonia amphioxus earn 38 00 reward points 38 00 add to wishlist caladium white queen earn 78 00 reward points

78 00 add to wishlist anthurium clarinervium earn 78 00 reward points 78 00 add to wishlist

indoor green living with plants amazon com - Oct 11 2022

web may 5 2020 interviews of indoor green enthusiasts appear in this paperback alongside the imagery as well as tips on caring for plants and an index of plant varieties more than good looking props plants are living growing joyful things rooted in creativity and indoor green makes it obvious that even the humblest greenery can transform a home

6 benefits of having asparagus ferns in your home msn - Jul 28 2021

web nov 16 2023 asparagus ferns asparagus densiflorus are delicate plants with stunning vivid green foliage in nature the asparagus fern is hardy in zones 9 to 11 and flourishes in the coastal regions of south

11 best indoor plants for your home or office in singapore - Sep 10 2022

web jul 15 2021 4 peace lily credit maria elizabeth unsplash the peace lily is an elegant plant that makes for one of the best indoor plants for homes and offices also known as closet plants peace lily available on plant plant has big dark green leaves that contrast beautifully against the white flowers

25 of the best indoor plants bbc gardeners world magazine - Apr 05 2022

web jun 29 2020 best houseplants to grow maidenhair fern the maidenhair fern adiantum raddianum makes a gorgeous leafy house plant each frond bears small delicate leaves held on contrasting dark stems thriving in a humid environment it is perfect for a steamy bathroom h x s 40cm x 40cm

24 best indoor plants find your perfect houseplant garden - Apr 17 2023

web 10 best indoor hanging plants 15 rare houseplants 7 common houseplant pests popular houseplants snake plant monstera pothos philodendron peace lily spider plant fiddle leaf fig zz plant chinese evergreen peperomia calathea alocasia tradescantia new houseplants from proven winners 24 best indoor plants for any location

15 best living room plants living room indoor plants to buy now - Jul 08 2022

web mar 21 2022 anthurium farhad ibrahimzade with its striking heart shaped red or pink flowers which last for weeks anthurium is a conversation starter it needs lots of bright indirect light never direct sun let it dry out a little

the 10 best indoor plants of 2023 better homes gardens - Dec 13 2022

web jan 10 2023 for beginners and frequent travelers the affordable bloomscape philodendron heartleaf is the best indoor plant for you if your plant doesn't survive in the first 30 days bloomscape will replace it for free the budget friendly vine plant will survive in low light but will thrive and produce more leaves when placed in bright indirect light

55 best indoor plants for living rooms top houseplants - Feb 03 2022

web sep 6 2023 you can transform your living room decor with this popular good luck plant known for coin shaped round green leaves read all about how to care for pilea peperomioides here 6 tree philodendron botanical

green living 10 indoor plants that will flourish despite small spaces - Oct 23 2023

web oct 22 2017 green living 10 indoor plants that will flourish despite small spaces and low light bring nature indoors these hardy plants will change your living space into a lush green

10 best indoor plants for living room housing com - Oct 31 2021

web oct 6 2023 best indoor plants for living room 1 areca palm the areca palm is a low maintenance fast growing plant it brings a tropical touch and purifies the air areca palms dypsis lutescens or butterfly palm break down carbon monoxide and chemicals found in paints and fuels and can brighten up any corner in your home it must be kept in indirect

23 easy care houseplants that don t need much more than water - Jun 19 2023

web jan 30 2023 01 of 23 peperomia jacob fox peperomias are a diverse group of small easy care houseplants with waxy and often highly textured leaves some of our favorite varieties include ripple peperomia watermelon peperomia baby

Öğrenci pasaportu nasıl alınır edumag - Mar 09 2023

web 1 pasaporta başvurmak için randevu alın Şehrinizde bulunan nüfus müdürlüklerine telefon açarak veya online olarak buradan randevu alarak pasaport başvurunuzu yapabilirsiniz

pasaporte a1 alumno indice pdf uniport edu - Jan 27 2022

web jun 29 2023 right here we have countless ebook pasaporte a1 alumno indice pdf and collections to check out we additionally have enough money variant types and

pasaporte a1 alumno indice pdf copy magazine compassion - Sep 03 2022

web pasaporte a1 alumno indice pdf downloaded from magazine compassion com by guest melendez anaya modern spanish grammar workbook cambridge university press

pasaporte a1 libro del alumno pdf online book share - Jun 12 2023

web view download pasaporte a1 libro del alumno as pdf for free related documents livro nuevo ven 1 libro del alumno 151 pages pdf 26 2 mb parte del

pasaporte a1 alumno indice pdf uniport edu - Nov 24 2021

web pasaporte a1 alumno indice pdf is available in our book collection an online access to it is set as public so you can download it instantly our book servers saves in multiple

pasaporte a1 alumno indice pdf pdf pdf vodic - May 31 2022

web jun 8 2023 pasaporte a1 alumno indice pdf pdf pdf this is likewise one of the factors by obtaining the soft documents of this pasaporte a1 alumno indice pdf pdf pdf by

pasaporte a1 alumno indice pdf pdf uniport edu - Oct 04 2022

web aug 14 2023 pasaporte a1 alumno indice pdf 1 9 downloaded from uniport edu ng on august 14 2023 by guest

pasaporte a1 alumno indice pdf eventually you will

yabancılar İçin a1 kursu modül sınavı 5 adet egitimhane com - Jan 07 2023

web açıklama yabancılar için türkçe kursu yabancılar için a1 kursu modül sınavı 5 adet dosyası Çeşitli eğitim kaynakları bölümünde bulunmaktadır yabancılar için a1 kursu

pasaporte a1 alumno indice pdf pdf pdf vodic - Sep 22 2021

web jul 18 2023 coleccion de lecturas faciles para estudiantes de e le en seis niveles de dificultad contienen notas explicativas referencias socioculturales y ejercicios

pte academic ukvi sınav başvuru kılavuzu - Nov 05 2022

web bu kılavuz pte academic ukvi home a1 home a2 home b1 sınavına yapılacak online başvuru esnasında adaylara kolaylık sağlamak amacıyla hazırlanmıştır pte academic

pasaporte a1 alumno indice - Dec 26 2021

web pasaporte a1 alumno indice 2 8 downloaded from id spcultura prefeitura sp gov br on april 16 2023 by guest to develop the skills necessary for school success and for critical

pasaporte a1 alumno indice pdf pdf uniport edu - Aug 02 2022

web jun 14 2023 pasaporte a1 alumno indice pdf 1 8 downloaded from uniport edu ng on june 14 2023 by guest pasaporte a1 alumno indice pdf as recognized adventure as

pasaporte a1 libro del alumno pdf online book share - Aug 14 2023

web jun 29 2021 pasaporte a1 libro del alumno 166 pages pdf 23 4 mb pasaporte uploaded at 2021 06 29 02 30 report dmca save offline preview pdf view

pasaporte a1 alumno indice help environment harvard edu - May 11 2023

web one merely said the pasaporte a1 alumno indice is universally compatible with any devices to read materials evaluation and design for language teaching ian mcgrath

türkçe a1 online test turkcestan - Dec 06 2022

web hoş geldiniz online türkçe a1 testi ne başlayacaksınız bu ücretsiz ve online bir testtir toplam 15 soru vardır testin sonunda adınızı ve e posta adresinizi yazınız sonuçlar e

pasaporte a1 alumno indice pdf pdf pdf vodic - Feb 25 2022

web pasaporte a1 alumno indice pdf pdf pdf is straightforward in our digital library an online entry to it is set as public thus you can download it instantly our digital library saves in

pasaporte a1 alumno indice pdf lia erc gov ph - Mar 29 2022

web read now pasaporte a1 alumno indice pdf free ebooks in pdf format mazda protege 1990 cooling diagram lia erc gov ph 7

34 airbus 319 320 course

pasaporte a1 alumno indice pdf pdf pdf pdf vodice ras gov rs - Apr 29 2022

web jul 27 2023 pasaporte a1 alumno indice pdf pdf pdf yeah reviewing a ebook pasaporte a1 alumno indice pdf pdf pdf could ensue your near friends listings eñe

pasaporte a1 alumno indice pdf pdf pdf - Jul 01 2022

web we have enough money pasaporte a1 alumno indice pdf pdf and numerous books collections from fictions to scientific research in any way accompanied by them is this

pasaporte a1 alumno indice pdf lengua española - Jul 13 2023

web competencia funcional dar datos personales en competencia funcional describir el carcter competencia sociolingstica la cortesa un hotel competencia gramatical

pasaporte a1 alumno indice pdf sibole online - Apr 10 2023

web file name pasaporte a1 alumno indice pdf pdf size 4320 kb type pdf epub ebook category book uploaded 2023 jul 25 13 38 rating 4 6 5 from 769 votes

pasaporte a1 alumno indice pdf pdf full pdf gestudy byu edu - Feb 08 2023

web pasaporte a1 alumno indice pdf pdf is available in our digital library an online access to it is set as public so you can get it instantly our books collection saves in multiple

pasaporte a1 alumno indice pdf pdf pdf 2023 vodice ras gov rs - Oct 24 2021

web jun 27 2023 pasaporte a1 alumno indice pdf pdf pdf getting the books pasaporte a1 alumno indice pdf pdf pdf now is not type of challenging means you could not forlorn

cambridge english ielts trainer six practice tests with - Oct 27 2022

web oct 1 2022 0 00 30 28 ielts trainer 1 six practice tests listening test 6 amazing languages 4 44k subscribers subscribe 86 10k views 1 year ago amazing

ielts trainer six practice tests with answers pdf audio - Jul 24 2022

web mar 12 2023 ielts trainer pdf contains six practice tests for ielts each covering the listening reading letter and speaking papers

ielts trainer six practice tests with answers pdf - May 22 2022

web advanced trainer second edition offers six practice tests for the revised cambridge english advanced cae exam combined with easy to follow guidance and exam tips

ielts trainer listening test 1 cambridge ielts - Apr 20 2022

web aug 19 2023 amazing languages ielts trainer 1 six practice tests listening test 2ielts listening academic testsielts

writing academic testsielts speaking

cambridge english exams ielts cambridge university press - Nov 27 2022

web download ielts trainer six practice tests with answers audio cd1 download ielts trainer six practice tests with answers

audio cd2 download ielts trainer six

ielts trainer cambridge english exams amp ielts - Jul 04 2023

web apr 11 2011 six practice tests with details of the test format question types and scoring system for both academic and general training ielts the first two practice tests with

ielts trainer 2 academic and general training six practice - Jun 03 2023

web mar 1 2011 trainer by cambridge ielts trainer six practice tests with answers and audio cds louise hashemi barbara thomas 4 26 182 ratings11 reviews six full

ielts cambridge university press - Dec 29 2022

web paperback with answers audio cd and authorized practice tests inr 3 134 ielts trainer 2 paperback with six practice tests inr 3 875 paperback along with six

ielts trainer pdf with audio free 2023 ielts portal - Aug 05 2023

web 978 0 521 17110 6 ielts trainer six practice tests without answers louise hashemi and barbara thomas excerpt more information useful language numbers cambridge

ielts trainer six practice tests with answers language - Sep 25 2022

web six complete practice tests detailed information on the ielts exam step by step advice on how to approach each paper additional grammar vocabulary and writing practice to

advanced trainer cambridge english exams amp ielts - Jan 18 2022

ielts trainer 1 six practice tests listening test 2 youtube - Dec 17 2021

ielts trainer six practice tests with answers and - Feb 28 2023

web ielts reading six ielts academic and general training practice tests including information on the test format question styles and scoring methodology the first two

cambridge ielts trainer 1 2 pdf audio 9ielts - Oct 07 2023

web six practice tests with details of the test format question types and scoring system for both academic and general training ielts ielts trainer is the perfect companion for

ielts trainer pdf with audio free 2023 ielts portal - Mar 20 2022

test 1 training listening section 1 cambridge university press - May 02 2023

web browse shop and download ielts teaching and learning resources from cambridge english

cambridge english exams ielts cambridge university press - Feb 16 2022

ielts trainer 1 six practice tests listening test 6 youtube - Jun 22 2022

web six practice tests for healthcare professionals preparing to take the oet occupational english test this book is perfect for oet medicine preparation whether you are

cambridge ielts trainer with answers ebook audio - Sep 06 2023

web six practice tests cambridge university press 2019 130 p 184p audio six ielts practice tests for perfect exam training including details of the test format

cambridge ielts trainer with answers e book and audio - Aug 25 2022

web nov 7 2020 ielts trainer listening test 1 cambridge ielts test 1 listening practice for ielts students 1 78k subscribers subscribe 473

ielts trainer six practice tests with answers and - Apr 01 2023

web six full practice tests plus easy to follow expert guidance and exam tips designed to guarantee exam success first trainer 2 without answers with audio is the perfect

ielts trainer six practice tests with answers and audio cds - Jan 30 2023

web feb 8 2019 pages 236 format pdf djvu mp3 size 215 17mb ielts trainer is the perfect companion for ielts exam preparation as well as six full practice tests it