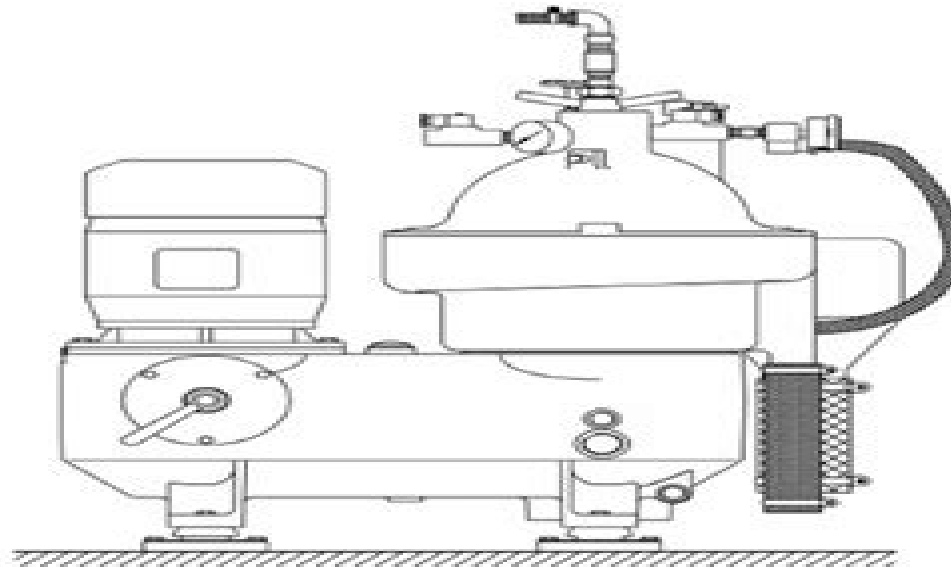


**Instruction Manual and
Parts List**

No.: 2059-9001-400
Edition: 0305
Designation: Centrifuge with self-cleaning bowl
Model: ESD 18-91-067



Westfalia Separator Mineraloil Systems Gmbh Manual

Yan Bai



Westfalia Separator Mineraloil Systems Gmbh Manual:

Mergent International Manual ,2001 **Modern Marine Engineer's Manual** Everett C. Hunt,2002 This manual first published in 1943 has been indispensable to ships engineers for generations The third edition revised and updated by a team of marine engineers professors follows in the venerable style of its predecessors Text relating to obsolete equipment has been eliminated information on systems that are still current has been updated and new material has been added to reflect innovations in equipment and operative practices Extensive coverage on the newest medium speed diesel engine has been added to the text Environmental concerns have been recognized with a section on engine exhaust emissions and information about new refrigerants and the maintenance of refrigeration systems New equipment for trash handling sewage processing bilge water discharge and incineration are discussed with reference to international regulations Ship trial procedures and the new equipment used in trial data collection are presented in detail **Moody's International Manual** ,1998

Lloyd's Ship Manager ,1997 *Hart's E&P.* ,2007-04 *Shipping World and Shipbuilder* ,1997 *Lloyd's List Maritime Asia* ,1998 **Fairplay** ,1973 *Asian Shipping* ,1995 **Shipping World & Shipbuilder** ,1992 British Motorship ,1995 Marine Engineers Review ,1992 *Tanker & Bulker Maritime Management* ,1978 *Chemical Engineering* ,1999 *GEA Westfalia Separator Mineraloil Systems* GEA Westfalia Separator Mineraloil Systems,200?
Separator Manual C. Richard Sivalls,Sivalls Tanks, Inc,1968

This is likewise one of the factors by obtaining the soft documents of this **Westfalia Separator Mineraloil Systems Gmbh Manual** by online. You might not require more times to spend to go to the ebook commencement as skillfully as search for them. In some cases, you likewise complete not discover the proclamation Westfalia Separator Mineraloil Systems Gmbh Manual that you are looking for. It will unquestionably squander the time.

However below, with you visit this web page, it will be for that reason enormously easy to acquire as with ease as download guide Westfalia Separator Mineraloil Systems Gmbh Manual

It will not believe many mature as we notify before. You can complete it though put it on something else at home and even in your workplace. in view of that easy! So, are you question? Just exercise just what we present under as skillfully as evaluation **Westfalia Separator Mineraloil Systems Gmbh Manual** what you when to read!

http://www.frostbox.com/data/Resources/index.jsp/The_Glassblower_The_Glassblower_Triology.pdf

Table of Contents Westfalia Separator Mineraloil Systems Gmbh Manual

1. Understanding the eBook Westfalia Separator Mineraloil Systems Gmbh Manual
 - The Rise of Digital Reading Westfalia Separator Mineraloil Systems Gmbh Manual
 - Advantages of eBooks Over Traditional Books
2. Identifying Westfalia Separator Mineraloil Systems Gmbh Manual
 - Exploring Different Genres
 - Considering Fiction vs. Non-Fiction
 - Determining Your Reading Goals
3. Choosing the Right eBook Platform
 - Popular eBook Platforms
 - Features to Look for in an Westfalia Separator Mineraloil Systems Gmbh Manual
 - User-Friendly Interface
4. Exploring eBook Recommendations from Westfalia Separator Mineraloil Systems Gmbh Manual

- Personalized Recommendations
 - Westfalia Separator Mineraloil Systems Gmbh Manual User Reviews and Ratings
 - Westfalia Separator Mineraloil Systems Gmbh Manual and Bestseller Lists
5. Accessing Westfalia Separator Mineraloil Systems Gmbh Manual Free and Paid eBooks
 - Westfalia Separator Mineraloil Systems Gmbh Manual Public Domain eBooks
 - Westfalia Separator Mineraloil Systems Gmbh Manual eBook Subscription Services
 - Westfalia Separator Mineraloil Systems Gmbh Manual Budget-Friendly Options
 6. Navigating Westfalia Separator Mineraloil Systems Gmbh Manual eBook Formats
 - ePub, PDF, MOBI, and More
 - Westfalia Separator Mineraloil Systems Gmbh Manual Compatibility with Devices
 - Westfalia Separator Mineraloil Systems Gmbh Manual Enhanced eBook Features
 7. Enhancing Your Reading Experience
 - Adjustable Fonts and Text Sizes of Westfalia Separator Mineraloil Systems Gmbh Manual
 - Highlighting and Note-Taking Westfalia Separator Mineraloil Systems Gmbh Manual
 - Interactive Elements Westfalia Separator Mineraloil Systems Gmbh Manual
 8. Staying Engaged with Westfalia Separator Mineraloil Systems Gmbh Manual
 - Joining Online Reading Communities
 - Participating in Virtual Book Clubs
 - Following Authors and Publishers Westfalia Separator Mineraloil Systems Gmbh Manual
 9. Balancing eBooks and Physical Books Westfalia Separator Mineraloil Systems Gmbh Manual
 - Benefits of a Digital Library
 - Creating a Diverse Reading Collection Westfalia Separator Mineraloil Systems Gmbh Manual
 10. Overcoming Reading Challenges
 - Dealing with Digital Eye Strain
 - Minimizing Distractions
 - Managing Screen Time
 11. Cultivating a Reading Routine Westfalia Separator Mineraloil Systems Gmbh Manual
 - Setting Reading Goals Westfalia Separator Mineraloil Systems Gmbh Manual
 - Carving Out Dedicated Reading Time
 12. Sourcing Reliable Information of Westfalia Separator Mineraloil Systems Gmbh Manual

- Fact-Checking eBook Content of Westfalia Separator Mineraloil Systems Gmbh Manual
 - Distinguishing Credible Sources
13. Promoting Lifelong Learning
- Utilizing eBooks for Skill Development
 - Exploring Educational eBooks
14. Embracing eBook Trends
- Integration of Multimedia Elements
 - Interactive and Gamified eBooks

Westfalia Separator Mineraloil Systems Gmbh Manual Introduction

In today's digital age, the availability of Westfalia Separator Mineraloil Systems Gmbh Manual books and manuals for download has revolutionized the way we access information. Gone are the days of physically flipping through pages and carrying heavy textbooks or manuals. With just a few clicks, we can now access a wealth of knowledge from the comfort of our own homes or on the go. This article will explore the advantages of Westfalia Separator Mineraloil Systems Gmbh Manual books and manuals for download, along with some popular platforms that offer these resources. One of the significant advantages of Westfalia Separator Mineraloil Systems Gmbh Manual books and manuals for download is the cost-saving aspect. Traditional books and manuals can be costly, especially if you need to purchase several of them for educational or professional purposes. By accessing Westfalia Separator Mineraloil Systems Gmbh Manual versions, you eliminate the need to spend money on physical copies. This not only saves you money but also reduces the environmental impact associated with book production and transportation. Furthermore, Westfalia Separator Mineraloil Systems Gmbh Manual books and manuals for download are incredibly convenient. With just a computer or smartphone and an internet connection, you can access a vast library of resources on any subject imaginable. Whether you're a student looking for textbooks, a professional seeking industry-specific manuals, or someone interested in self-improvement, these digital resources provide an efficient and accessible means of acquiring knowledge. Moreover, PDF books and manuals offer a range of benefits compared to other digital formats. PDF files are designed to retain their formatting regardless of the device used to open them. This ensures that the content appears exactly as intended by the author, with no loss of formatting or missing graphics. Additionally, PDF files can be easily annotated, bookmarked, and searched for specific terms, making them highly practical for studying or referencing. When it comes to accessing Westfalia Separator Mineraloil Systems Gmbh Manual books and manuals, several platforms offer an extensive collection of resources. One such platform is Project Gutenberg, a nonprofit organization that provides over 60,000 free eBooks. These books are primarily in the public domain, meaning they

can be freely distributed and downloaded. Project Gutenberg offers a wide range of classic literature, making it an excellent resource for literature enthusiasts. Another popular platform for Westfalia Separator Mineraloil Systems Gmbh Manual books and manuals is Open Library. Open Library is an initiative of the Internet Archive, a non-profit organization dedicated to digitizing cultural artifacts and making them accessible to the public. Open Library hosts millions of books, including both public domain works and contemporary titles. It also allows users to borrow digital copies of certain books for a limited period, similar to a library lending system. Additionally, many universities and educational institutions have their own digital libraries that provide free access to PDF books and manuals. These libraries often offer academic texts, research papers, and technical manuals, making them invaluable resources for students and researchers. Some notable examples include MIT OpenCourseWare, which offers free access to course materials from the Massachusetts Institute of Technology, and the Digital Public Library of America, which provides a vast collection of digitized books and historical documents. In conclusion, Westfalia Separator Mineraloil Systems Gmbh Manual books and manuals for download have transformed the way we access information. They provide a cost-effective and convenient means of acquiring knowledge, offering the ability to access a vast library of resources at our fingertips. With platforms like Project Gutenberg, Open Library, and various digital libraries offered by educational institutions, we have access to an ever-expanding collection of books and manuals. Whether for educational, professional, or personal purposes, these digital resources serve as valuable tools for continuous learning and self-improvement. So why not take advantage of the vast world of Westfalia Separator Mineraloil Systems Gmbh Manual books and manuals for download and embark on your journey of knowledge?

FAQs About Westfalia Separator Mineraloil Systems Gmbh Manual Books

What is a Westfalia Separator Mineraloil Systems Gmbh Manual PDF? A PDF (Portable Document Format) is a file format developed by Adobe that preserves the layout and formatting of a document, regardless of the software, hardware, or operating system used to view or print it. **How do I create a Westfalia Separator Mineraloil Systems Gmbh Manual PDF?** There are several ways to create a PDF: Use software like Adobe Acrobat, Microsoft Word, or Google Docs, which often have built-in PDF creation tools. Print to PDF: Many applications and operating systems have a "Print to PDF" option that allows you to save a document as a PDF file instead of printing it on paper. Online converters: There are various online tools that can convert different file types to PDF. **How do I edit a Westfalia Separator Mineraloil Systems Gmbh Manual PDF?** Editing a PDF can be done with software like Adobe Acrobat, which allows direct editing of text, images, and other elements within the PDF. Some free tools, like PDFescape or Smallpdf, also offer basic editing capabilities. **How do I convert a Westfalia Separator Mineraloil Systems Gmbh Manual PDF to another file format?** There are multiple

ways to convert a PDF to another format: Use online converters like Smallpdf, Zamzar, or Adobe Acrobats export feature to convert PDFs to formats like Word, Excel, JPEG, etc. Software like Adobe Acrobat, Microsoft Word, or other PDF editors may have options to export or save PDFs in different formats. **How do I password-protect a Westfalia Separator Mineraloil Systems Gmbh Manual PDF?** Most PDF editing software allows you to add password protection. In Adobe Acrobat, for instance, you can go to "File" -> "Properties" -> "Security" to set a password to restrict access or editing capabilities. Are there any free alternatives to Adobe Acrobat for working with PDFs? Yes, there are many free alternatives for working with PDFs, such as: LibreOffice: Offers PDF editing features. PDFsam: Allows splitting, merging, and editing PDFs. Foxit Reader: Provides basic PDF viewing and editing capabilities. How do I compress a PDF file? You can use online tools like Smallpdf, ILovePDF, or desktop software like Adobe Acrobat to compress PDF files without significant quality loss. Compression reduces the file size, making it easier to share and download. Can I fill out forms in a PDF file? Yes, most PDF viewers/editors like Adobe Acrobat, Preview (on Mac), or various online tools allow you to fill out forms in PDF files by selecting text fields and entering information. Are there any restrictions when working with PDFs? Some PDFs might have restrictions set by their creator, such as password protection, editing restrictions, or print restrictions. Breaking these restrictions might require specific software or tools, which may or may not be legal depending on the circumstances and local laws.

Find Westfalia Separator Mineraloil Systems Gmbh Manual :

the glassblower the glassblower trilogy

the giver teacher guide secondary

~~the goal setting your goals and achieving it~~

the highwayman english edition

the inquisitors manual

the hobbit study guide

the great gatsby answers chapter 2

the grand theft english edition

the harlem renaissance

~~the hilarious book of wedding memes and jokes english edition~~

the ghost of assholes past

the hotblooded groom mills boon modern passion book

the hungry thing

the imperfectionists a novel

the incas uncovering the mysteries of inca forgotten empires series

Westfalia Separator Mineraloil Systems Gmbh Manual :

united states scavenger hunt by middle school history and - Sep 02 2023

web be the first to ask middle school history and geography a question about this product this united states scavenger hunt activity has a map of the united states with twelve numbered pictures students are to identify specific information about each picture such as the name of a particular monument building geographic feature national park

scavenger hunt history detectives pbs - Dec 25 2022

web teaching strategies before visiting the site create a scavenger hunt of facts and items students should discover at the site see previous activity make sure it includes both items relating

us history review packet scavenger hunt unit one studylib net - Oct 03 2023

web 1 2 this was the war between the french and the british in colonial times what were two 2 characteristics of the southern colonies 7 8 9 what were two 2 characteristics of the northern colonies 10 11 name three 3 early attempts at colonial government 12 define salutary neglect 15 3 4 5 6 define it 13 14

ebook us history scavenger hunt packet answers - Feb 12 2022

web us history scavenger hunt packet answers treasure gumshoe metropolitan museum of art may 06 2022 this educational scavenger hunt will make your visit to the metropolitan museum of art in new york city fun for your kids this book s interactive approach to learning will teach your child about history art and

global review packet scavenger hunt 1750 present part i - Aug 21 2022

web global review packet scavenger hunt 1750 present part i please answer the following questions regarding the global history review packet all of the answers appear in the packet or in your vocabulary listings responses from the internet will not be accurate or be graded this answer document will be collected and graded what was the

us history scavenger hunt packet answers - Sep 21 2022

web us history scavenger hunt packet answers united states of america on this site constitutional experts interact with each other to explore the constitution s history and what it means today geocaching d i o k æ is an outdoor recreational activity in which participants use a global positioning system gps receiver or mobile device

us history scavenger hunt packet answers full pdf - Aug 01 2023

web us history scavenger hunt packet answers the greatest maritime novels pirate stories treasure hunt tales the curse of the pirate gold 7 treasure hunt classics a true history of buccaneers and their robberies treasure island computer education for teachers boys life the pirates chronicles greatest sea adventure books treasure

u s history regents scavenger hunt review packet - Mar 28 2023

web u s history review packet scavenger hunt part 1 please answer the following questions regarding the u s history review packet all of the answers appear in the packet worth 1pt each

u s history scavenger hunt flashcards quizlet - Mar 16 2022

web bill of rights what country first settled the state which is now called new york netherlands what is the name of the first successful permanent colony in virginia jamestown what native american confederation ruled over much

us history scavenger hunt packet answers pdf uniport edu - Apr 16 2022

web aug 4 2023 us history scavenger hunt packet answers 2 9 downloaded from uniport edu ng on august 4 2023 by guest american history each with reading comprehension questions and graphic organizers my colorado mary g borg 2021 10 25 history fun facts and activities about the state of colorado delta digest 1949

us history scavenger hunt teacherlists blog - Feb 24 2023

web hand out the scavenger hunt topics list to each group read the definitions questions you are seeing answers to on the following page to the class and answer any questions they may have set a timer counting down to when the activity will end

us history scavenger hunt lesson plan teaching resources tpt - May 18 2022

web united states constitution scavenger hunt with political cartoons teacher s lesson plan in this lesson students will analyze 16 political cartoons drawn by clifford and jim berryman during the early to mid 20th century they will search through the constitution and associate each cartoon with a specific clause

[mr nussbaum history scavenger hunts activities](#) - Nov 23 2022

web description this scavenger hunt is designed for use with the interactive rocks chart there are nine scavenger hunt questions to find the answers for type scavenger hunts format printable activity grade levels 4 5 6 cc standards lang arts standards

global packet scavenger hunt revised 1750 present - Jul 20 2022

web global review packet scavenger hunt 1750 present part vi please answer the following questions regarding the global history review packet all of the answers appear in the packet responses from the internet will not be accurate or be graded this answer document will be collected and graded why did russia become the soviet union

get us history review packet scavenger hunt answer key - Apr 28 2023

web complete us history review packet scavenger hunt answer key online with us legal forms easily fill out pdf blank edit and sign them save or instantly send your ready documents

us history scavenger hunt flashcards quizlet - Jun 30 2023

web study with quizlet and memorize flashcards containing terms like who is the president of the united states who is the

vice president of the united states who is the secretary of state and more

us history textbook scavenger hunt 1 docx course hero - May 30 2023

web solutions available us history textbook scavenger hunt the americans question answer and page number 1 name of the first chapter in the book 1 exploration in the colonial era pg4 2 name one of the mound builder societies 2 the adena pg6 3 name one of the 5 themes of geography discussed in the book 3 location pg 7 4 when was islam

us history scavenger hunt packet answers orientation sutd edu - Jun 18 2022

web we disburse for us history scavenger hunt packet answers and countless books assortments from fictions to scientific investigationh in any way you may not need more term to invest to go to the ebook launch as adeptly as search for them
u s history regents review packet answer key pdffiller - Oct 23 2022

web how do i execute us history review packet scavenger hunt answer key online pdffiller makes it easy to finish and sign global review packet scavenger hunt answers online it lets you make changes to original pdf content highlight black out erase and write text anywhere on a page legally esign your form and more all from one place

scavenger hunt worksheet key u s geological survey usgs gov - Jan 26 2023

web oct 7 2020 scavenger hunt worksheet key by educational resources october 7 2020 scavenger hunt worksheet key 508 pdf 121 02 kb

crossdogging hundesport querbeet amazon de - May 11 2023

web may 1 2015 crossdogging ist frech und anders es mischt elemente aus verschiedenen hundesportarten zu einem neuen gesamtkonzept das durch abwechslung und

crossdogging hundesport querbeet facebook - Mar 09 2023

web crossdogging hundesport querbeet vollständigen titel anzeigen von melanie fydrich und raphaela niewerth 0 bewertungen Über dieses e book crossdogging ist

crossdogging hundesport querbeet ebook barnes noble - Oct 04 2022

web hundesport querbeet crossdogging ist frech und anders es mischt elemente aus verschiedenen hundesportarten zu einem neuen gesamtkonzept das durch

crossdogging hundesport querbeet german edition kindle - Aug 02 2022

web crossdogging fydrich melanie niewerth raphaela crossdogging hundesport querbeet flexicover 208 seiten durchgehend farbig crossdogging ist frech und

crossdogging hundesport querbeet frech und anders - Jul 13 2023

web crossdogging ist frech und anders es mischt elemente aus verschiedenen hundesportarten zu einem neuen gesamtkonzept das durch abwechslung und

crossdogging hundesport querbeet hund unterwegs - Sep 03 2022

web crossdogging hundesport querbeet von melanie fydrich raphaela niewerth 19 99 verlag veröffentl isbn ean 9783954640591 sprache anzahl seiten in den

[raphaela niewerth crossdogging mehr als](#) - Dec 06 2022

web crossdogging hundesport querbeet von fydrich melanie niewerth raphaela crossdogging ist frech und anders es mischt elemente aus verschiedenen

crossdogging hundesport querbeet google books - Jun 12 2023

web crossdogging hundesport querbeet melanie fydrich raphaela niewerth isbn 9783954640386 kostenloser versand für alle bücher mit versand und verkauf duch

crossdogging trainiert körper und geist des hundes so gehts - Nov 24 2021

crossdogging zirkeltraining für hunde dogondo de - Feb 08 2023

web abebooks com crossdogging hundesport querbeet 9783954640386 by fydrich melanie niewerth raphaela and a great selection of similar new used and collectible

crossdogging - Apr 29 2022

web hundeschule stadtfelle der videoblog stadtfelle kursvorstellung crossdogging in der heutigen folge beschä

cross dogging breloer de - Jul 01 2022

web sep 17 2021 crossdogging ist eine hundesportart bei der verschiedene elemente aus anderen hundesportarten kombiniert werden es handelt sich um ein zirkeltraining für

stadtfelle kursvorstellung crossdogging youtube - Jan 27 2022

web 7 bokstaver agility smeller advertisements 8 bokstaver lydighet hinderløp lydighetsdressur dagens kryssord vi trekker ukentlig en vinner av 25 flaxlodd løs

synonym til hundesport i kryssord gratiskryssord no - Oct 24 2021

crossdogging hundesport querbeet amazon de - Apr 10 2023

web beim crossdogging gilt es 5 lustige und knifflige aufgaben gemeinsam mit dem hund zu bewältigen Ähnlich einem circlertraining arbeiten immer zwei mensch

crossdogging von melanie fydrich und raphaela niewerth - Jan 07 2023

web jun 26 2015 crossdogging ist frech und anders es mischt elemente aus verschiedenen hundesportarten zu einem neuen gesamtconcept das durch abwechslung und

[crossdogging alle infos zum hundesport edogs magazin](#) - Mar 29 2022

web das zirkeltraining namens crossdogging ist knifflig sportlich und spaßig für hunde erfahre jetzt mehr über das neue hundetrainingskonzept shop ratgeber magazin

crossdogging isbn 9783954640591 ebook von melanie - May 31 2022

web was ist crossdogging für wen ist crossdogging geeignet schwierigungsgrade study aufgaben bachelor aufgaben master aufgaben trainingstipps die gruppenstunde in

[crossdogging hey fiffi com](#) - Feb 25 2022

web sep 5 2020 seit einiger zeit ist crossdogging stark im kommen hierbei handelt es sich um eine disziplin welche die elemente aus bekannten freizeitbeschäftigungen

futbolda crossing nedir ne demek tozlu mikrofon - Sep 22 2021

crossdogging hundesport querbeet softcover abebooks - Nov 05 2022

web crossdogging hundesport querbeet german edition kindle edition by fydrich melanie niewerth raphaela download it once and read it on your kindle device pc

startseite crossdogging gbr - Aug 14 2023

web apr 17 2016 crossdogging ist frech und anders crossdogging mischt elemente aus verschiedenen hundesportarten zu einem neuen gesamtkonzept das durch

crossdogging zooroyal magazin - Dec 26 2021

web may 16 2020 orta açma orta yapma bir futbol maçında herhangi bir oyuncunun herhangi bir yerden herhangi bir takım arkadaşına yapmış olduğu tüm ortalar crossing olarak

how to trade forex using fundamental analysis youtube - Dec 27 2021

web follow the steps to trade forex using fundamental analysis the difference between making money and losing money is in the strategy used try this forex strat

[what is forex fundamental analysis howtotrade com](#) - Jan 28 2022

web jul 13 2023 take your forex trading to the next level with fundamental analysis fundamental analysis is a powerful tool for understanding which market drivers are actively influencing price action three of the most important market drivers are news economic data and the monetary policies of central banks

trading using fundamental analysis forex com - Aug 15 2023

web trading using fundamental analysis share fundamental analysis is a broad term that describes the act of trading based purely on global aspects that influence supply and demand of currencies commodities and equities

how to trade fundamental analysis in forex forex academy - Mar 30 2022

web mar 28 2023 fundamental analysis is a method of analyzing the economic financial and geopolitical events that can affect the value of currencies in this article we will explore how to trade fundamental analysis in forex what is fundamental analysis

using fundamental analysis in long term and short term trading - Jun 01 2022

web fundamental analysis involves the analysis of underlying market trends trading forex using fundamental analysis has been used by large institutional investors who take account of the real factors driving markets in taking large trading positions this analysis however can also be used by smaller and forex traders very effectively

how to trade forex using fundamental analysis forex academy - May 12 2023

web may 9 2023 forex traders need to understand the key concepts of fundamental analysis the factors that affect currency prices and the steps to take when using fundamental analysis by following these steps forex traders can increase their chances of success in the forex market

introduction to fundamental analysis forex com us - Apr 11 2023

web fundamental analysis is a method of evaluating the markets that uses multiple data sources to find an asset s fair value unlike technical analysis which looks purely at price action it builds up a holistic picture of a security s strengths and weaknesses you ll often hear fundamental analysis mentioned as a method of finding stocks to buy

forex fundamental analysis explained step by step - Apr 30 2022

web a step by step guide to fundamental analysis of the currency market in this brief guide we will try to provide you with a step by step plan for analyzing the global economic environment and deciding on which currency to buy or

fundamental analysis trading technique asset values forex - Dec 07 2022

web fundamental analysis is a popular trading technique used to trade the financial markets understand asset values using fundamental analysis with forex com cfd's are complex instruments and come with a high risk of losing money rapidly due to leverage

fundamental analysis in forex and stock trading fbs - Jul 02 2022

web mar 29 2023 let s study what the forex fundamental analysis is and how to use it in trading stocks and currency pairs factors of fundamental analysis importance and example fundamental analysis in forex and stock trading types importance tools

forex using fundamental analysis fundamental trading - Mar 10 2023

web there are two sub types of fundamental analysis macro micro macro fundamental analysis the top down approach macro fundamental analysis centers around broad economic factors that impact the exchange market altogether the concept of

macro fundamental analysis begins with the overall assessment of the economy then it

a beginner s guide fundamental analysys garnet trade - Oct 05 2022

web part 4 benefits of fundamental analysis at its core fundamental analysis helps you decide if a country s currency is a good or poor trade choice it is the study of what causes market movements the biggest benefit of fundamen tal analysis is that you have the potential to make a huge profit in a relatively short amount of time

the essentials of forex fundamental analysis udemy - Jun 13 2023

web the guide to forex fundamental analysis course will teach you the essentials of trading the forex markets using fundamental analysis in this course i will begin by covering what is fundamental analysis as it relates to the forex

learn forex fundamental analysis babypips com - Feb 09 2023

web fundamental analysis is a way of looking at the forex market by analyzing economic social and political forces that may affect currency prices babypips forex and crypto for beginners

technical vs fundamental analysis in forex dailyfx - Aug 03 2022

web mar 4 2019 fundamental analysis fundamental analysis involves assessing the economic well being of a country and by extension the currency it does not take into account currency price movements

the fundamentals of forex fundamentals investopedia - Jul 14 2023

web may 25 2022 the fundamentals of forex fundamentals by justin kuepper updated may 25 2022 reviewed by charles potters fact checked by ariel courage those trading in the foreign exchange market forex

basics of fundamental analysis in forex trading tradimo - Nov 06 2022

web understand the basic fundamental factors affecting forex trading like the economics of a country and how they affect the strength or weakness of a currency tradimo helps people to actively take control of their financial future by teaching them how to trade invest and manage their personal finance

how to master fundamental analysis in forex trading youtube - Sep 04 2022

web dec 20 2020 how to master fundamental analysis in forex trading karen foo britney 450k subscribers join 2 9k share save 92k views 2 years ago forex fundamental analysis how to read forex

basics of fundamental analysis in forex trading youtube - Feb 26 2022

web fundamental analysis by rowena harris doughty of lcg financial spread betting c fundamental analysis is a way at looking at the forex markets by analysing economic social and

forex fundamental analysis 2023 complete guide tokenist - Jan 08 2023

web mar 2 2023 the three most common types of forex analysis are technical analysis using charts to detect patterns fundamental analysis understanding a nation s economic indicators and sentiment analysis analyzing how traders in the

market are viewing the currency