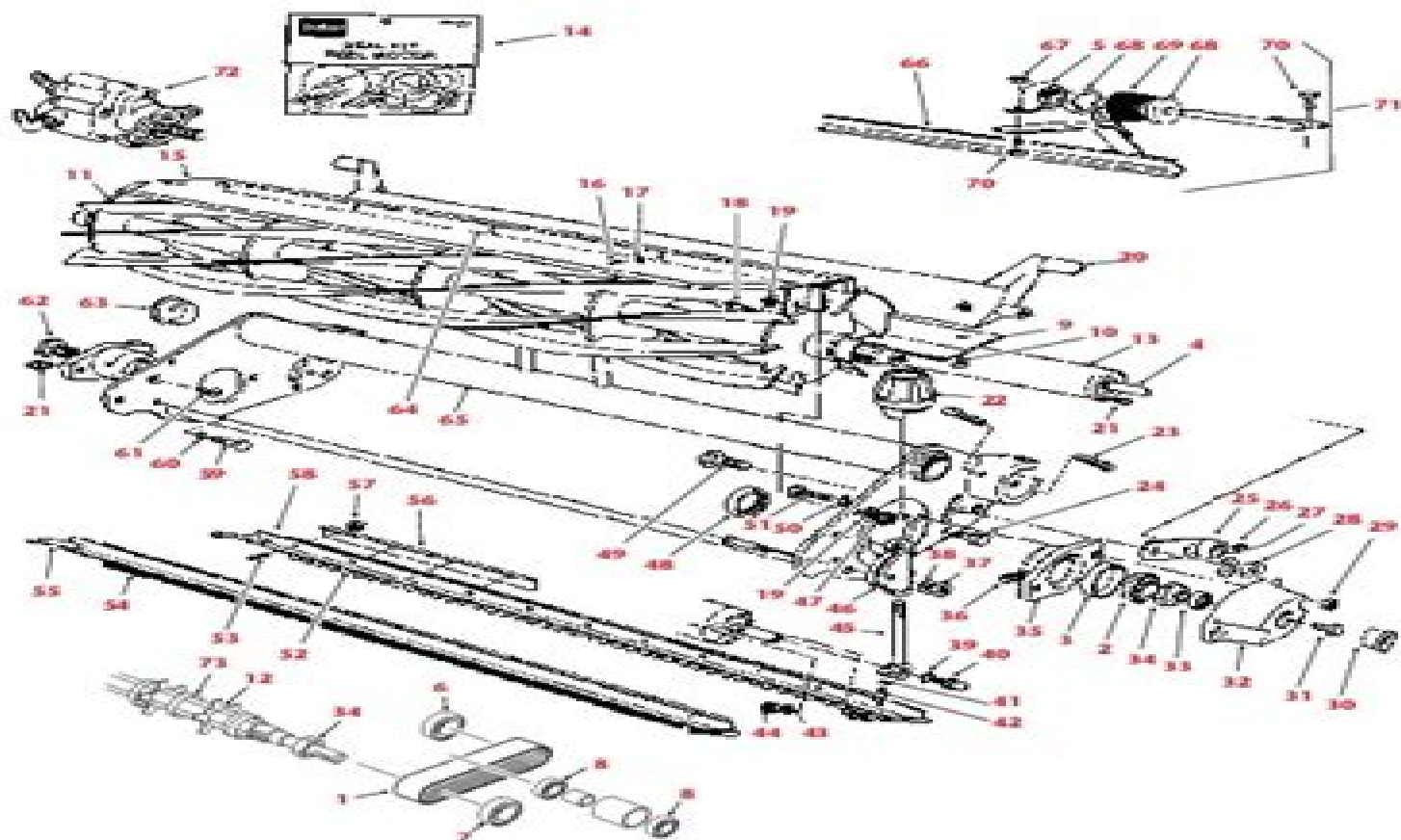


RIDING GREENSMASTERS
Greensmaster® 3/300/3000 Style

4-BOLT ADJUST CUTTING UNIT PARTS



NOTE: Always consult your product's Parts Catalog to ensure ordering the correct part, the part needed may not be listed here.

Toro Greensmaster 3100 Parts Manual

Lei Huang



Toro Greensmaster 3100 Parts Manual:

Thank you very much for downloading **Toro Greensmaster 3100 Parts Manual**. Maybe you have knowledge that, people have search numerous times for their chosen readings like this Toro Greensmaster 3100 Parts Manual, but end up in infectious downloads.

Rather than enjoying a good book with a cup of coffee in the afternoon, instead they are facing with some harmful virus inside their laptop.

Toro Greensmaster 3100 Parts Manual is available in our digital library an online access to it is set as public so you can download it instantly.

Our books collection hosts in multiple locations, allowing you to get the most less latency time to download any of our books like this one.

Merely said, the Toro Greensmaster 3100 Parts Manual is universally compatible with any devices to read

<http://www.frostbox.com/About/book-search/default.aspx/the%20ultimate%20colloidal%20silver%20manual.pdf>

Table of Contents Toro Greensmaster 3100 Parts Manual

1. Understanding the eBook Toro Greensmaster 3100 Parts Manual
 - The Rise of Digital Reading Toro Greensmaster 3100 Parts Manual
 - Advantages of eBooks Over Traditional Books
2. Identifying Toro Greensmaster 3100 Parts Manual
 - Exploring Different Genres
 - Considering Fiction vs. Non-Fiction
 - Determining Your Reading Goals
3. Choosing the Right eBook Platform
 - Popular eBook Platforms
 - Features to Look for in an Toro Greensmaster 3100 Parts Manual
 - User-Friendly Interface
4. Exploring eBook Recommendations from Toro Greensmaster 3100 Parts Manual

- Personalized Recommendations
 - Toro Greensmaster 3100 Parts Manual User Reviews and Ratings
 - Toro Greensmaster 3100 Parts Manual and Bestseller Lists
5. Accessing Toro Greensmaster 3100 Parts Manual Free and Paid eBooks
 - Toro Greensmaster 3100 Parts Manual Public Domain eBooks
 - Toro Greensmaster 3100 Parts Manual eBook Subscription Services
 - Toro Greensmaster 3100 Parts Manual Budget-Friendly Options
 6. Navigating Toro Greensmaster 3100 Parts Manual eBook Formats
 - ePub, PDF, MOBI, and More
 - Toro Greensmaster 3100 Parts Manual Compatibility with Devices
 - Toro Greensmaster 3100 Parts Manual Enhanced eBook Features
 7. Enhancing Your Reading Experience
 - Adjustable Fonts and Text Sizes of Toro Greensmaster 3100 Parts Manual
 - Highlighting and Note-Taking Toro Greensmaster 3100 Parts Manual
 - Interactive Elements Toro Greensmaster 3100 Parts Manual
 8. Staying Engaged with Toro Greensmaster 3100 Parts Manual
 - Joining Online Reading Communities
 - Participating in Virtual Book Clubs
 - Following Authors and Publishers Toro Greensmaster 3100 Parts Manual
 9. Balancing eBooks and Physical Books Toro Greensmaster 3100 Parts Manual
 - Benefits of a Digital Library
 - Creating a Diverse Reading Collection Toro Greensmaster 3100 Parts Manual
 10. Overcoming Reading Challenges
 - Dealing with Digital Eye Strain
 - Minimizing Distractions
 - Managing Screen Time
 11. Cultivating a Reading Routine Toro Greensmaster 3100 Parts Manual
 - Setting Reading Goals Toro Greensmaster 3100 Parts Manual
 - Carving Out Dedicated Reading Time
 12. Sourcing Reliable Information of Toro Greensmaster 3100 Parts Manual

- Fact-Checking eBook Content of Toro Greensmaster 3100 Parts Manual
 - Distinguishing Credible Sources
13. Promoting Lifelong Learning
- Utilizing eBooks for Skill Development
 - Exploring Educational eBooks
14. Embracing eBook Trends
- Integration of Multimedia Elements
 - Interactive and Gamified eBooks

Toro Greensmaster 3100 Parts Manual Introduction

In this digital age, the convenience of accessing information at our fingertips has become a necessity. Whether its research papers, eBooks, or user manuals, PDF files have become the preferred format for sharing and reading documents. However, the cost associated with purchasing PDF files can sometimes be a barrier for many individuals and organizations. Thankfully, there are numerous websites and platforms that allow users to download free PDF files legally. In this article, we will explore some of the best platforms to download free PDFs. One of the most popular platforms to download free PDF files is Project Gutenberg. This online library offers over 60,000 free eBooks that are in the public domain. From classic literature to historical documents, Project Gutenberg provides a wide range of PDF files that can be downloaded and enjoyed on various devices. The website is user-friendly and allows users to search for specific titles or browse through different categories. Another reliable platform for downloading Toro Greensmaster 3100 Parts Manual free PDF files is Open Library. With its vast collection of over 1 million eBooks, Open Library has something for every reader. The website offers a seamless experience by providing options to borrow or download PDF files. Users simply need to create a free account to access this treasure trove of knowledge. Open Library also allows users to contribute by uploading and sharing their own PDF files, making it a collaborative platform for book enthusiasts. For those interested in academic resources, there are websites dedicated to providing free PDFs of research papers and scientific articles. One such website is Academia.edu, which allows researchers and scholars to share their work with a global audience. Users can download PDF files of research papers, theses, and dissertations covering a wide range of subjects. Academia.edu also provides a platform for discussions and networking within the academic community. When it comes to downloading Toro Greensmaster 3100 Parts Manual free PDF files of magazines, brochures, and catalogs, Issuu is a popular choice. This digital publishing platform hosts a vast collection of publications from around the world. Users can search for specific titles or explore various categories and genres. Issuu offers a seamless reading experience with its user-friendly interface and allows users to download PDF files for offline reading. Apart from

dedicated platforms, search engines also play a crucial role in finding free PDF files. Google, for instance, has an advanced search feature that allows users to filter results by file type. By specifying the file type as "PDF," users can find websites that offer free PDF downloads on a specific topic. While downloading Toro Greensmaster 3100 Parts Manual free PDF files is convenient, its important to note that copyright laws must be respected. Always ensure that the PDF files you download are legally available for free. Many authors and publishers voluntarily provide free PDF versions of their work, but its essential to be cautious and verify the authenticity of the source before downloading Toro Greensmaster 3100 Parts Manual. In conclusion, the internet offers numerous platforms and websites that allow users to download free PDF files legally. Whether its classic literature, research papers, or magazines, there is something for everyone. The platforms mentioned in this article, such as Project Gutenberg, Open Library, Academia.edu, and Issuu, provide access to a vast collection of PDF files. However, users should always be cautious and verify the legality of the source before downloading Toro Greensmaster 3100 Parts Manual any PDF files. With these platforms, the world of PDF downloads is just a click away.

FAQs About Toro Greensmaster 3100 Parts Manual Books

How do I know which eBook platform is the best for me? Finding the best eBook platform depends on your reading preferences and device compatibility. Research different platforms, read user reviews, and explore their features before making a choice. Are free eBooks of good quality? Yes, many reputable platforms offer high-quality free eBooks, including classics and public domain works. However, make sure to verify the source to ensure the eBook credibility. Can I read eBooks without an eReader? Absolutely! Most eBook platforms offer webbased readers or mobile apps that allow you to read eBooks on your computer, tablet, or smartphone. How do I avoid digital eye strain while reading eBooks? To prevent digital eye strain, take regular breaks, adjust the font size and background color, and ensure proper lighting while reading eBooks. What the advantage of interactive eBooks? Interactive eBooks incorporate multimedia elements, quizzes, and activities, enhancing the reader engagement and providing a more immersive learning experience. Toro Greensmaster 3100 Parts Manual is one of the best book in our library for free trial. We provide copy of Toro Greensmaster 3100 Parts Manual in digital format, so the resources that you find are reliable. There are also many Ebooks of related with Toro Greensmaster 3100 Parts Manual. Where to download Toro Greensmaster 3100 Parts Manual online for free? Are you looking for Toro Greensmaster 3100 Parts Manual PDF? This is definitely going to save you time and cash in something you should think about. If you trying to find then search around for online. Without a doubt there are numerous these available and many of them have the freedom. However without doubt you receive whatever you purchase. An alternate way to get ideas is always to check another Toro Greensmaster 3100 Parts Manual. This method for see exactly what may be included and adopt these

ideas to your book. This site will almost certainly help you save time and effort, money and stress. If you are looking for free books then you really should consider finding to assist you try this. Several of Toro Greensmaster 3100 Parts Manual are for sale to free while some are payable. If you arent sure if the books you would like to download works with for usage along with your computer, it is possible to download free trials. The free guides make it easy for someone to free access online library for download books to your device. You can get free download on free trial for lots of books categories. Our library is the biggest of these that have literally hundreds of thousands of different products categories represented. You will also see that there are specific sites catered to different product types or categories, brands or niches related with Toro Greensmaster 3100 Parts Manual. So depending on what exactly you are searching, you will be able to choose e books to suit your own need. Need to access completely for Campbell Biology Seventh Edition book? Access Ebook without any digging. And by having access to our ebook online or by storing it on your computer, you have convenient answers with Toro Greensmaster 3100 Parts Manual To get started finding Toro Greensmaster 3100 Parts Manual, you are right to find our website which has a comprehensive collection of books online. Our library is the biggest of these that have literally hundreds of thousands of different products represented. You will also see that there are specific sites catered to different categories or niches related with Toro Greensmaster 3100 Parts Manual So depending on what exactly you are searching, you will be able to choose ebook to suit your own need. Thank you for reading Toro Greensmaster 3100 Parts Manual. Maybe you have knowledge that, people have search numerous times for their favorite readings like this Toro Greensmaster 3100 Parts Manual, but end up in harmful downloads. Rather than reading a good book with a cup of coffee in the afternoon, instead they juggled with some harmful bugs inside their laptop. Toro Greensmaster 3100 Parts Manual is available in our book collection an online access to it is set as public so you can download it instantly. Our digital library spans in multiple locations, allowing you to get the most less latency time to download any of our books like this one. Merely said, Toro Greensmaster 3100 Parts Manual is universally compatible with any devices to read.

Find Toro Greensmaster 3100 Parts Manual :

the ultimate colloidal silver manual

[the wordpress anthology raena jackson armitage](#)

the white book makaveli

[the wallygrange grammar school blogenglish edition](#)

[the witches bible](#)

[the ultimate survivalist s guide to suicide](#)

the untold history of japanese game developers volume 1

~~the winter of frankie machine~~

the weed report episode 17

the warden illustrated

the war widows

the tiny book of tiny stories volume 3

the united states in today s world chapter 26 guided reading

the winners curse

the toy brother

Toro Greensmaster 3100 Parts Manual :

nursing assistant courses in istanbul turkey - Jan 09 2023

web nursing assistant diploma level 3 adams academy duration upto 9 hours 90 off through laimoon get this deal try 689 try 4 604 pay enrol now add to wishlist read more load more courses see all current nursing assistant jobs in istanbul nursing assistant careers in istanbul

nursing auxiliary post at tshilidzini pdf pdf bukuclone ortax - Aug 04 2022

web nursing auxiliary post at tshilidzini pdf introduction nursing auxiliary post at tshilidzini pdf pdf annual report australian inland mission nursing service 1966 post basic applicant handbook english national board for nursing midwifery and health visiting nurses central clearing house 1986

career paths and opportunities for nursing in istanbul - Mar 31 2022

web nursing jobs in istanbul see all nursing jobs in istanbul job types full time part time internship freelance

auxiliary nursing vacancy post at tshilidzini ieee staff copy - Jul 03 2022

web as this auxiliary nursing vacancy post at tshilidzini it ends going on instinctive one of the favored ebook auxiliary nursing vacancy post at tshilidzini collections that we have this is why you remain in the best website to see the unbelievable book to have supervision in social work alfred kadushin 1992

tureng auxiliary türkçe İngilizce sözlük - Jan 29 2022

web auxiliary s tali 11 genel auxiliary s destek 12 genel auxiliary s yan 13 genel auxiliary s yedek 14 genel auxiliary s ikincil 15 genel auxiliary s takviye 16 genel auxiliary s takviye edici 17 genel auxiliary s takviye eden 18 genel auxiliary s destekleyen trade economic 19 ticaret ekonomi auxiliary i

auxiliary nursing vacancy post at tshilidzini copy uniport edu - May 01 2022

web feb 23 2023 auxiliary nursing vacancy post at tshilidzini is available in our book collection an online access to it is set

as public so you can get it instantly our digital library hosts in multiple countries allowing you to get the most less latency time to download any of our books like this one

nursing auxiliary post at tshildzini wrbb neu - May 13 2023

web this nursing auxiliary post at tshildzini as one of the most on the go sellers here will utterly be along with the best options to review nursing auxiliary post at tshildzini 2020 04 18

most popular universities and programmes to study nursing in - Nov 07 2022

web below you can find the most popular universities and programmes to study nursing in istanbul turkey this list is based on visitors on the studyportals websites listing more than 150 000 english taught bachelor s and master s programmes world wide

nursing auxiliary post at tshildzini pdf free red ortax - Jun 02 2022

web prepares you by sharpening the skills and abilities necessary to succeed on your upcoming entrance exam it provides hundreds of questions and answers in the areas that will likely be covered on your upcoming exam including but not limited to medical nursing surgical nursing obstetric nursing pediatric nursing psychiatric nursing and more

nursing auxiliary post at tshildzini kelliemay - Feb 27 2022

web dec 10 2022 merely said the nursing auxiliary post at tshildzini is universally compatible with any devices to read curing their ills megan vaughan 2013 06 06 curing their ills traces the history of encounters between europeanmedicine and african societies in the nineteenth and twentiethcenturies

[nursing auxiliary post at tshildzini](#) - Jul 15 2023

web merely said the nursing auxiliary post at tshildzini is universally compatible with any devices to read psychiatric nursing patricia g o brien 1999 the community is my university selina maphorogo 2003 as a result of community research and community actions through the engagement of thousands of people organized in care groups

tshildzini hospital nursing requirements 2023 2024 - Aug 16 2023

web oct 31 2022 new nursing auxiliary to be advised general nursing science b course r683 2 years basic diploma r425 4 years post basic registration diplomas r212 child nursing science community nursing science clinical assessment treatment and care critical nursing science operating nursing

nurse jobs needed in istanbul expat com - Dec 28 2021

web nurse job applications in istanbul post your free ad here if you are looking for nurse positions and careers

nursing auxiliary post at tshildzini david pratt 2023 - Sep 05 2022

web you could buy guide nursing auxiliary post at tshildzini or acquire it as soon as feasible you could speedily download this nursing auxiliary post at tshildzini after getting deal

İstanbul Üniversitesi aziz sancar deneysel tıp araştırma enstitüsü - Mar 11 2023

web 16 12 2020 İmmünoloji anabilim dalı semineri 17 aralık 2020 günü saat 13 30 da gerçekleşecektir 14 12 2020 xii aziz sancar deneysel tıp araştırma enstitüsü günleri katılım belgeleri hakkında 06 10 2020 enstitümüzde anti sars cov 2 testi 19 ekim 2020 tarihi itibari ile çalışılmaya başlanacaktır

study nursing in turkey universities fees global academia - Dec 08 2022

web do you want to study nursing in turkey here we have universities in turkey offering nursing and tuition fees apply with scholarship now

auxiliary nursing vacancy post at tshilidzini - Apr 12 2023

web april 23rd 2018 auxiliary nursing vacancy post at tshilidzini finanzfin deauxiliary nurses vacancy in kalafong hospital udiehl de staff nurse notification 2018 latest

tshilidzini hospital nursing school 2024 intake requirements - Jun 14 2023

web feb 27 2023 the south african nursing council sanc as well as the tshilidzini hospital nursing school and midwifery has released the online admission application form for prospective candidates that seek admission into the tshilidzini hospital nursing school for 2024 academic year

acıbadem altunizade hospital acıbadem sağlık grubu - Oct 06 2022

web acıbadem altunizade hospital comprises many full featured units along with the technical infrastructure medical technology professional healthcare personnel in all branches and multidisciplinary approach many specialized units from oncology unit to neurosurgery unit from cell therapy unit to robotic surgery unit are located in the hospital

istanbul hasta bakıcı İş İlanı 14 eylül 2023 indeed com - Feb 10 2023

web istanbul konumundaki 23 açık hasta bakıcı iş ilanı dünyanın en büyük iş sitesi indeed com adresinde

the latest cartoons the new yorker the new yorker - May 12 2023

web sep 8 2023 daily cartoon friday september 1st in addition to the christmas stuff we are also the ghosts of student loans past present and future by brooke bourgeois september 1 2023

cartoons the new yorker - Dec 07 2022

web sep 17 2012 a week in the life of a new yorker cartoonist by joe dator september 17 2012 september 24 2012 issue *cartoons from the january 20 2020 issue the new yorker* - Nov 06 2022

web jan 13 2020 cartoons from the january 6 2020 issue cartoons from the december 30 2019 issue the new yorker may earn a portion of sales from products that are purchased through our site as part of

cartoons from the new yorker 2019 2020 16 month weekly - Apr 11 2023

web buy cartoons from the new yorker 2019 2020 16 month weekly diary planner by conde nast isbn 9781449497675 from

amazon s book store everyday low prices and free delivery on eligible orders

[cartoons from the new yorker 16 month 2019 2020 weekly - Apr 30 2022](#)

web cartoons from the new yorker 16 month 2019 2020 weekly planner calendar sept 2019 dec 2020 conde nast amazon com mx libros

cartoons from the january 31 2022 issue the new yorker - Jul 02 2022

web jan 24 2022 daily cartoon daily cartoon monday july 17th i don t know honey i think this might just be the new app that provides us with the sense of community we ve been pretending to crave

cartoons from the new yorker 2019 2020 16 month weekly - Feb 26 2022

web may 6 2023 the cartoons from the new yorker 2019 2020 16 month weekly planner calendar contains an amusing cartoon from the new yorker each week from september 2019 december 2020 has an elastic band a pocket to store receipts or papers and space in the back for names numbers and notes

cartoons from the new yorker 2020 day to day calendar - Mar 30 2022

web jul 23 2019 each page of the cartoons from the new yorker 2020 day to day calendar features a witty cartoon from the new yorker the cartoons of the new yorker have entertained the magazine s readers for nearly a century a roster of extraordinary artists continues to create indelible images that vary in style and tone whether

[cartoons from the new yorker 2019 2020 16 month w pdf - Dec 27 2021](#)

web pages of cartoons from the new yorker 2019 2020 16 month w a mesmerizing literary creation penned by way of a celebrated wordsmith readers embark on an enlightening odyssey unraveling the intricate significance of language and its *conde nast cartoons from the new yorker 2019 2020 16 month - Aug 15 2023*

web conde nast cartoons from the new yorker 2019 2020 16 month conde nast amazon com tr kitap

cartoons from the new yorker 2020 collectible print with wall calendar - Sep 04 2022

web aug 13 2019 cartoons from the new yorker 2020 collectible print with wall calendar is actually a 16 month wall calendar that includes a free 9 x12 collectible print that s ready to frame the months of september december 2019 are all included on the same page while each month in 2020 gets their own page

[cartoons from the issue the new yorker - Jun 13 2023](#)

web aug 14 2023 cartoons from the september 4 2023 issue funny drawings from this week s magazine august 28 2023 august 28 2023 issue

[cartoons from the new yorker 16 month 2020 2021 weekly planner calendar - Aug 03 2022](#)

web jun 30 2020 the cartoons from the new yorker 16 month 2020 2021 weekly planner calendar contains an amusing cartoon from the new yorker each week from september 2020 december 2021 other features include elastic band closure

weekly planning pages a pocket to store receipts or papers

cartoons from the new yorker 16 month 2019 2020 weekly - Mar 10 2023

web the cartoons from the new yorker 2019 2020 16 month weekly planner calendar contains an amusing cartoons from the new yorker 16 month 2019 2020 weekly planner calendar sept 2019 dec 2020 by conde nast goodreads

cartoons from the new yorker 16 month 2019 2020 weekly - Jan 08 2023

web cartoons from the new yorker 16 month 2019 2020 weekly planner calendar sept 2019 dec 2020 conde nast amazon com au books

cartoons from the new yorker 16 month 2019 2020 weekly - Feb 09 2023

web jun 11 2019 cartoons from the new yorker 16 month 2019 2020 weekly planner calendar sept 2019 dec 2020 conde nast 9781449497675 books amazon ca

cartoons from the new yorker 2018 2019 16 month weekly - Oct 05 2022

web jun 12 2018 the cartoons from the new yorker 2018 2019 16 month weekly planner calendar contains a humorous cartoon from the new yorker each week from september 2018 december 2019 has an elastic band a pocket to store receipts or papers and space in the back for names numbers and notes the non spiral binding still allows the

cartoons from the new yorker 2019 2020 16 month w the new yorker - Jan 28 2022

web just exercise just what we have enough money under as well as review cartoons from the new yorker 2019 2020 16 month w what you considering to read the new yorker book of lawyer cartoons the new yorker 1993 11 30 critically acclaimed cartoonists including addams steig arno shanahan and leo

cartoons from the new yorker 16 month 2019 2020 weekly - Jul 14 2023

web jun 11 2019 in stock the cartoons from the new yorker 2019 2020 16 month weekly planner calendar contains an amusing cartoon from the new yorker each week from september 2019 december 2020 has an elastic band a pocket to store receipts or papers and space in the back for names numbers and notes

instagram s favorite new yorker cartoons of 2020 - Jun 01 2022

web dec 14 2020 cartoons by harry bliss lila ash elizabeth mcnaair ellie black mike twohy ah what a joy to be at the end of the year and to reflect on 2020 it s true that it s been a pretty uneventful

training for invalsi esercitazioni per la prova n old vulkk - Jan 27 2022

esercitazioni test invalsi esercizi per superare prove invalsi - Feb 08 2023

web invalsi per tutti classe quinta matematica the fisherman and his soul the wren hunt storyfun for movers student s book training for invalsi esercitazioni per la prova nazionale di inglese per la scuola elementare recipe for success gateway 2nd

edition

[pearson training for successful invals](#) - Apr 10 2023

web le prove online per italiano matematica e inglese dal 2019 le prove invals si svolgono anche in quinta superiore da mercoledì 1 marzo 2023 a venerdì 31 marzo 2023 in più sessioni sono costituite da domande che cambiano da alunno ad alunno di difficoltà

training for invals esercitazioni per la prova n copy uniport edu - Oct 24 2021

training for invals esercitazioni per la prova n pdf - Nov 05 2022

web apr 7 2023 training for invals esercitazioni per la prova n 1 6 downloaded from uniport edu ng on april 7 2023 by guest this is likewise one of the factors by obtaining the soft documents of this training for invals esercitazioni per la prova n by online

training for invals esercitazioni per la prova n uniport edu - Sep 03 2022

web il progetto invals per tutti scopri di più i volumi della serie invals per tutti presentano training specifici per allenare gli alunni in vista di queste prove

training for invals celtic publishing - Dec 26 2021

training for invals esercitazioni per la prova n uniport edu - Mar 29 2022

web jul 22 2023 training for invals esercitazioni per la prova n 2 6 downloaded from uniport edu ng on july 22 2023 by guest alunni con difficoltà di apprendimento il presente volume contiene 93 schede fotocopiabili organizzate in due aree corrispondenti alle

[training for invals esercitazioni per la prova n copy uniport edu](#) - Jul 01 2022

web jul 20 2023 progetto invals per tutti scopri di più i volumi della serie invals per tutti presentano training specifici per allenare gli alunni in vista di queste prove

training for invals esercitazioni per la prova n uniport edu - Feb 25 2022

web apr 17 2023 training for invals esercitazioni per la prova nazionale di inglese per la scuola elementare claudia badioli 2018 three men in a boat illustrated jerome k jerome 2020 10 21 three men in a boat published in 1889 is a humorous account by english

[training for invals esercitazioni per la prova n national](#) - May 31 2022

web technology engineering flip book per gli ist tecnici in the shadow of man training for invals esercitazioni per la prova nazionale di inglese per la scuola elementare invals per tutti classe quinta matematica il tutto esercizi inglese per la scuola

zanichelli esercitazioni e simulazioni online per le - Jul 13 2023

web il volume offre un percorso graduale e calibrato per allenarsi alla prova nazionale invalsi di inglese anche nella modalità computer based rinnovato e arricchito di consigli e strategie per affrontare l'esame testi aggiornati più simulazioni di prove guidate e libere

training for invalsi esercitazioni per la prova n download - Oct 04 2022

web training for invalsi esercitazioni per la prova n if you ally dependence such a referred training for invalsi esercitazioni per la prova n books that will come up with the money for you worth get the totally best seller from us currently from several preferred authors

prove invalsi online esercitazioni e date 2023 pearson - Aug 14 2023

web vi proponiamo alcune esercitazioni pensate per consentire la costruzione progressiva delle competenze necessarie alla risoluzione delle prove invalsi di italiano e matematica i materiali sono disponibili in formato pdf e possono essere scaricati e stampati oppure

prove invalsi quinta superiore zanichelli online per la scuola - Jan 07 2023

web jun 10 2023 progetto invalsi per tutti scopri di più i volumi della serie invalsi per tutti presentano training specifici per allenare gli alunni in vista di queste prove

invalsiopen sito ufficiale dell'area prove nazionali - Mar 09 2023

web jul 24 2023 training for invalsi esercitazioni per la prova n 2 6 downloaded from uniport edu ng on july 24 2023 by guest training for invalsi esercitazioni per la prova nazionale di inglese per la scuola elementare claudia badioli 2018 game on

training for invalsi raffaello scuola - Jun 12 2023

web training for successful invalsi quaderno di allenamento alla prova nazionale 2022 di inglese per la scuola secondaria di secondo grado silvia minardi il volume offre un percorso graduale e calibrato per allenarsi alla prova nazionale invalsi 2022 di inglese per la

prove invalsi per la scuola secondaria di primo e - Dec 06 2022

web merely said the training for invalsi esercitazioni per la prova n is universally compatible with any devices to read training for invalsi esercitazioni per la prova n downloaded from georgiacollegesurvey gcsu edu by guest compton erickson in **training for invalsi esercitazioni per la prova n uniport edu** - Nov 24 2021

training for invalsi esercitazioni per la prova n - Aug 02 2022

web aug 5 2023 il tutto esercizi inglese per la scuola elementare marianna luce 2021 prova tu invalsi inglese per la 5a

classe elementare 2021 training for invalsi esercitazioni per la prova nazionale di inglese per la scuola elementare claudia
pearson training for successful invalsi 2023 - May 11 2023

web esercitazioni prova invalsi terza media esercizi in preparazione alla prova nazionale da non perdere per esercitarsi a superare il test nazionale invalsi di italiano e matematica in questa

training for invalsi esercitazioni per la prova n 2022 - Apr 29 2022

web training for invalsi è un testo completo per la preparazione alla nuova prova invalsi di inglese nella scuola primaria
training for invalsi propone prove di comprensione scritta reading prove di comprensione orale con ascolti listening e una ulteriore