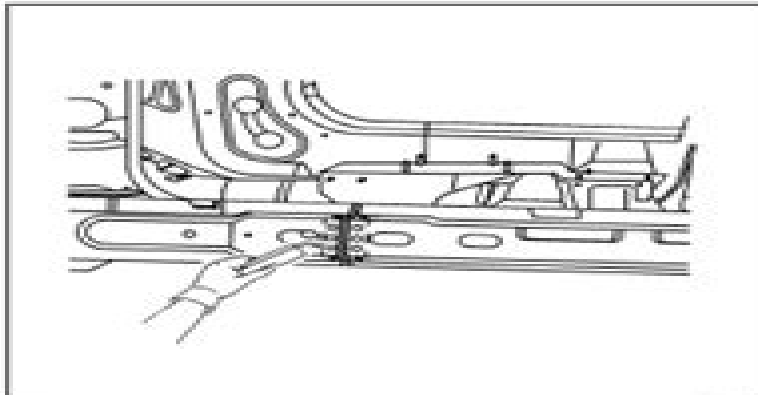


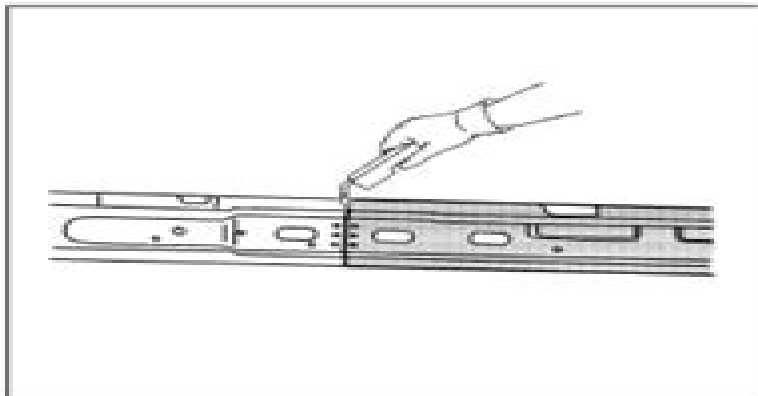
© 2003 GM

8. Place the welding backer into the rocker panel backer reinforcement. Insert the welding backer about 50 mm (2 in), or about half-way.
9. Clamp the welding backer in place and weld at the plug weld locations.



© 2003 GM

10. Cut the outer center pillar in corresponding locations to fit the remaining original panel. The sectioning joint should be trimmed to allow a gap of 1½ times the metal thickness at the sectioning joint.
11. Position the reinforcement to the vehicle. Clamp the reinforcement in place.
12. Stitch weld along the sectioning area at the butt weld location. Make 25 mm (1 in) stitch welds with 25 mm (1 in) between each weld. Complete the stitch weld.



© 2003 GM

13. Plug weld accordingly.
14. Clean and prepare all of the welded surfaces.
15. Install all of the related panels and components.
16. Apply the sealers and anti-corrosion materials to the repair area, as necessary.
17. Paint the repaired area.
18. Connect the negative battery cable.
19. Enable the SIR system.

# Sonoma 2002 Repair Manual

**E Durkheim**



## **Sonoma 2002 Repair Manual:**

**Chevrolet S-10 & Blazer, GMC Sonoma & Jimmy, Oldsmobile Bravada, Isuzu Hombre** Robert Maddox, John Harold Haynes, 2002-01-21 Covers Chevy S 10 and GMC Sonoma pickups 1994 2001 Blazer and Jimmy 1995 2001 and Oldsmobile Bravada Isuzu Hombre 1996 2001 [Chevrolet S-10 & GMC Sonoma Pick-ups Haynes Repair Manual](#) Editors of Haynes Manuals, 2019-06-11 With a Haynes manual you can do it yourself from simple maintenance to basic repairs Haynes writes every book based on a complete teardown of the vehicle where we learn the best ways to do a job and that makes it quicker easier and cheaper for you Haynes books have clear instructions and hundreds of photographs that show each step Whether you are a beginner or a pro you can save big with a Haynes manual This manual features complete coverage for your Chevrolet S 10 GMC Sonoma pick ups model years 1994 thru 2004 Chevrolet Blazer GMC Jimmy model years 1995 thru 2005 GMC Envoy model years 1998 thru 2001 Oldsmobile Bravada model years 1996 thru 2001 Isuzu Hombre model years 1996 thru 2000 The manual covers routine maintenance tune up procedures engine repair cooling and heating air conditioning fuel and exhaust emissions control ignition brakes suspension and steering electrical systems and wiring diagrams [2002 Chevrolet S10 and Blazer and the GMC Sonoma and Jimmy Service Manual](#), 2002 *The Jepson Manual* Bruce G. Baldwin, Douglas H. Goldman, 2012-01-31 California's extraordinary flora is described in contemporary detail in this handy volume which should prove an inspiration to all of those interested in these plants their habitats and their importance to a state richer in botanical diversity than any other part of the United States This is a thorough revision of an indispensable book Peter H Raven Missouri Botanical Garden This second edition of The Jepson Manual is a monumental achievement Far more than a simple update the book has gone through a thorough revision making it a must have book for California plant enthusiasts professional and lay alike Lucinda McDade Rancho Santa Ana Botanic Garden Biogeographers vegetation ecologists and practitioners of conservation and restoration will all welcome the second edition of the Jepson Manual Many improvements in this second edition include major taxonomic name changes more information on habitat range phenology better keys and new illustrations The second edition is more user friendly accurate and scientifically rigorous And these improvements are exactly the kind of recent authoritative and trusted flora needed Michael G Barbour University of California Davis *Smog Check Inspection Manual*, 2004 **State of California Licensed Smog Check Inspection Manual**, 1990 **American Book Publishing Record**, 2006 **American Recycler**, **Chevrolet S-10 & Blazer, GMC Sonoma, Jimmy & Envoy, Oldsmobile Bravada, Isuzu Hombre Automotive Repair Manual** Robert Phillip Maddox, John Harold Haynes, 2008 **General Motors** Chilton Automotive Books, Chilton, 1996-07 Covers all models of Chevrolet S10 and GMC Sonoma Pick Ups 2 and 4 wheel drive *Mergent Industrial Manual*, 2003 **American Recycler, February 2009**, *Mergent Public Utility & Transportation Manual*, 2003 [Official Gazette of the United States Patent and Trademark Office](#), 2003 **The Auto Guide 2002** Jacques Duval, Denis Duquet, 2001-11-03 The process

of buying a new car is a stress filled prospect for most of us How big a car do we really need How flashy a look do we truly want What is the safest choice for our children as passengers Which make and model will provide us with lasting performance and value With more than 520 pages and 1 000 photographs and illustrations The Auto Guide 2002 is a valuable tool in researching the best purchase for your money and taste The Auto Guide 2002 includes details on new models that are not easy to find and assemble elsewhere a summary of positive and negative judgments on features historical overview of the model s development suggested purchase cost vital statistics safety features stopping distances general reliability including tires operating costs and fuel consumption winter driving reliability and comfort comparable makes and models notable new features five star ratings on general appeal comfort reliability interior and trunk capacity winter preparedness features security resale value best buys in every category new releases in development From Acura and Aston Martin through Ferrari and Ford to Volvo this is the complete guide for the buyer The listings on the hundreds of models are packed with useful analysis informed judgments and wise predictions and will make the difficult decision much easier and smarter

**Mergent Company Archives Manual** ,2002 Contains the final statistical record of companies which merged were acquired went bankrupt or otherwise disappeared as private companies *Books In Print 2004-2005* Ed Bowker Staff,Staff Bowker, Ed,2004 *The California Missions* Edna E. Kimbro,Julia G. Costello,Tevvy Ball,2009 Illustrated in color throughout The California Missions History Art and Preservation combines engaging text with historical paintings archival photographs and recent photography to create a vivid chronicle of these iconic institutions The narrative recounts their founding and early history surveys mission art and architecture and examines their role in shaping the history and culture of California A final chapter discusses recent advances in preserving the mission heritage for future generations The second part of the book provides concise historical profiles for each of the twenty one missions Book Jacket **Chevrolet S-10 and GMC Sonoma Pick-Ups, Chevrolet Blazer and GMC Jimmy, Oldsmobile Bravada and Isuzu Hombre, 1994-2001** John Harold Haynes,Robert Maddox,2002-03 Covers Chevy S 10 and GMC Sonoma pickups 1994 2001 Blazer and Jimmy 1995 2001 and Oldsmobile Bravada Isuzu Hombre 1996 2001 *The Exceptional Teacher's Handbook* Carla F. Shelton,Alice B. Pollingue,2009-02-27 Specific guidelines and strategies to help special educators navigate their first year This revised edition of a bestseller helps special educators move confidently from preplanning to post planning for the school year Teachers will find a step by step management approach complete with planning checklists and other ready to use forms Featuring revisions based on IDEA 2004 and NCLB this popular reference also provides updates on Recognized disabilities Best instructional practices Successful parent conferences Effective plans for professional learning Alternate assessments emergencies in the school setting education terminology and more

Thank you very much for downloading **Sonoma 2002 Repair Manual**. Maybe you have knowledge that, people have look hundreds times for their favorite readings like this Sonoma 2002 Repair Manual, but end up in infectious downloads. Rather than enjoying a good book with a cup of coffee in the afternoon, instead they cope with some malicious virus inside their desktop computer.

Sonoma 2002 Repair Manual is available in our book collection an online access to it is set as public so you can get it instantly.

Our digital library spans in multiple locations, allowing you to get the most less latency time to download any of our books like this one.

Merely said, the Sonoma 2002 Repair Manual is universally compatible with any devices to read

<http://www.frostbox.com/files/virtual-library/index.jsp/straighten%20the%20path%20a%20unique%20approach%20for%20job%20seekers.pdf>

## **Table of Contents Sonoma 2002 Repair Manual**

1. Understanding the eBook Sonoma 2002 Repair Manual
  - The Rise of Digital Reading Sonoma 2002 Repair Manual
  - Advantages of eBooks Over Traditional Books
2. Identifying Sonoma 2002 Repair Manual
  - Exploring Different Genres
  - Considering Fiction vs. Non-Fiction
  - Determining Your Reading Goals
3. Choosing the Right eBook Platform
  - Popular eBook Platforms
  - Features to Look for in an Sonoma 2002 Repair Manual
  - User-Friendly Interface
4. Exploring eBook Recommendations from Sonoma 2002 Repair Manual

- Personalized Recommendations
  - Sonoma 2002 Repair Manual User Reviews and Ratings
  - Sonoma 2002 Repair Manual and Bestseller Lists
5. Accessing Sonoma 2002 Repair Manual Free and Paid eBooks
    - Sonoma 2002 Repair Manual Public Domain eBooks
    - Sonoma 2002 Repair Manual eBook Subscription Services
    - Sonoma 2002 Repair Manual Budget-Friendly Options
  6. Navigating Sonoma 2002 Repair Manual eBook Formats
    - ePub, PDF, MOBI, and More
    - Sonoma 2002 Repair Manual Compatibility with Devices
    - Sonoma 2002 Repair Manual Enhanced eBook Features
  7. Enhancing Your Reading Experience
    - Adjustable Fonts and Text Sizes of Sonoma 2002 Repair Manual
    - Highlighting and Note-Taking Sonoma 2002 Repair Manual
    - Interactive Elements Sonoma 2002 Repair Manual
  8. Staying Engaged with Sonoma 2002 Repair Manual
    - Joining Online Reading Communities
    - Participating in Virtual Book Clubs
    - Following Authors and Publishers Sonoma 2002 Repair Manual
  9. Balancing eBooks and Physical Books Sonoma 2002 Repair Manual
    - Benefits of a Digital Library
    - Creating a Diverse Reading Collection Sonoma 2002 Repair Manual
  10. Overcoming Reading Challenges
    - Dealing with Digital Eye Strain
    - Minimizing Distractions
    - Managing Screen Time
  11. Cultivating a Reading Routine Sonoma 2002 Repair Manual
    - Setting Reading Goals Sonoma 2002 Repair Manual
    - Carving Out Dedicated Reading Time
  12. Sourcing Reliable Information of Sonoma 2002 Repair Manual

- Fact-Checking eBook Content of Sonoma 2002 Repair Manual
  - Distinguishing Credible Sources
13. Promoting Lifelong Learning
- Utilizing eBooks for Skill Development
  - Exploring Educational eBooks
14. Embracing eBook Trends
- Integration of Multimedia Elements
  - Interactive and Gamified eBooks

### **Sonoma 2002 Repair Manual Introduction**

Sonoma 2002 Repair Manual Offers over 60,000 free eBooks, including many classics that are in the public domain. Open Library: Provides access to over 1 million free eBooks, including classic literature and contemporary works. Sonoma 2002 Repair Manual Offers a vast collection of books, some of which are available for free as PDF downloads, particularly older books in the public domain. Sonoma 2002 Repair Manual : This website hosts a vast collection of scientific articles, books, and textbooks. While it operates in a legal gray area due to copyright issues, its a popular resource for finding various publications. Internet Archive for Sonoma 2002 Repair Manual : Has an extensive collection of digital content, including books, articles, videos, and more. It has a massive library of free downloadable books. Free-eBooks Sonoma 2002 Repair Manual Offers a diverse range of free eBooks across various genres. Sonoma 2002 Repair Manual Focuses mainly on educational books, textbooks, and business books. It offers free PDF downloads for educational purposes. Sonoma 2002 Repair Manual Provides a large selection of free eBooks in different genres, which are available for download in various formats, including PDF. Finding specific Sonoma 2002 Repair Manual, especially related to Sonoma 2002 Repair Manual, might be challenging as theyre often artistic creations rather than practical blueprints. However, you can explore the following steps to search for or create your own Online Searches: Look for websites, forums, or blogs dedicated to Sonoma 2002 Repair Manual, Sometimes enthusiasts share their designs or concepts in PDF format. Books and Magazines Some Sonoma 2002 Repair Manual books or magazines might include. Look for these in online stores or libraries. Remember that while Sonoma 2002 Repair Manual, sharing copyrighted material without permission is not legal. Always ensure youre either creating your own or obtaining them from legitimate sources that allow sharing and downloading. Library Check if your local library offers eBook lending services. Many libraries have digital catalogs where you can borrow Sonoma 2002 Repair Manual eBooks for free, including popular titles. Online Retailers: Websites like Amazon, Google Books, or Apple Books often sell eBooks. Sometimes, authors or publishers offer promotions or free periods for certain books. Authors Website

Occasionally, authors provide excerpts or short stories for free on their websites. While this might not be the Sonoma 2002 Repair Manual full book, it can give you a taste of the authors writing style. Subscription Services Platforms like Kindle Unlimited or Scribd offer subscription-based access to a wide range of Sonoma 2002 Repair Manual eBooks, including some popular titles.

### **FAQs About Sonoma 2002 Repair Manual Books**

How do I know which eBook platform is the best for me? Finding the best eBook platform depends on your reading preferences and device compatibility. Research different platforms, read user reviews, and explore their features before making a choice. Are free eBooks of good quality? Yes, many reputable platforms offer high-quality free eBooks, including classics and public domain works. However, make sure to verify the source to ensure the eBook credibility. Can I read eBooks without an eReader? Absolutely! Most eBook platforms offer web-based readers or mobile apps that allow you to read eBooks on your computer, tablet, or smartphone. How do I avoid digital eye strain while reading eBooks? To prevent digital eye strain, take regular breaks, adjust the font size and background color, and ensure proper lighting while reading eBooks. What the advantage of interactive eBooks? Interactive eBooks incorporate multimedia elements, quizzes, and activities, enhancing the reader engagement and providing a more immersive learning experience. Sonoma 2002 Repair Manual is one of the best book in our library for free trial. We provide copy of Sonoma 2002 Repair Manual in digital format, so the resources that you find are reliable. There are also many Ebooks of related with Sonoma 2002 Repair Manual. Where to download Sonoma 2002 Repair Manual online for free? Are you looking for Sonoma 2002 Repair Manual PDF? This is definitely going to save you time and cash in something you should think about.

### **Find Sonoma 2002 Repair Manual :**

*straighten the path a unique approach for job seekers*

**structural concrete theory and design solution manual**

*structure of the paper1 life sciences final grade12 2014*

*storytown story the power of w o w*

**string trimmers guide**

student booklet mathematics

**story retelling rubric**



[street report radio part 2 mixtape](#)  
[strokestown and the great irish famine](#)  
[stranded in oasis oasis series book english edition](#)  
[story with ew ue oo words](#)  
[student exploration circulatory system answer key](#)  
**stuart little quiz**  
[strawberry dna extraction lesson plan answers](#)  
[story elements graphic organizer creative](#)

### Sonoma 2002 Repair Manual :

A Little Pigeon Toad by Gwynne, Fred Book details · Reading age. 8 - 11 years · Print length. 48 pages · Language. English · Grade level. 4 - 6 · Dimensions. 8.5 x 0.25 x 11 inches · Publisher. Children's Books :: A Little Pigeon Toad A very funny children's picture book. Figures of speech humorously imagined and illustrated by Herman Munster himself! Gwynne has a very appealing ... A LITTLE PIGEON TOAD [Paperback] by Fred Gwynne This is a very funny little book about homonyms. A little girl visualizes all the things her parents say in her own misunderstood interpretations. This book is ... A Little Pigeon Toad by Fred Gwynne This is fun and inventive fare for all ages. Ages 6-10. Copyright 1988 Reed Business Information, Inc. From School Library Journal. Grade 4-8 Using homonyms and ... A Little Pigeon Toad book by Fred Gwynne Rated 5 stars. Full Star Great for teachers, parents, and children alike! ... This book is a wonderful guide to literal humor. I have read it to my all my classes ... A Little Pigeon Toad A Little Pigeon Toad · Fred Gwynne. Simon & Schuster, \$12.95 (Opp) ISBN 978-0-671-66659-0 · More By and About this Authorchevron\_right · Featured Nonfiction ... A Little Pigeon Toad Book Review A collection of common (and not-so-common) expressions, altered with clever homonyms, then depicted literally in pictures, to zany effect. The text is just the ... A Little Pigeon Toad - Fred Gwynne Humorous text and illustrations introduce a variety of homonyms and figures of speech. A Little Pigeon Toad A Little Pigeon Toad ; by Fred Gwynne ; No reviews yet Write a review ; Contact Us. customercare@discoverbooks.com · (855) 702-6657 ; Accept. Reject. Little Pigeon Toad by Fred Gwynne A Little Pigeon Toad by Fred Gwynne and a great selection of related books, art and collectibles available now at AbeBooks.com. Amazon.com: Conceptual Physics (11th Edition) ... Hewitt's book is famous for engaging readers with analogies and imagery from real-world situations that build a strong conceptual understanding of physical ... Amazon.com: Conceptual Physics: 9780321787958 ISBN-10. 0321787951 · ISBN-13. 978-0321787958 · Edition. 11th · Publisher. Pearson · Publication date. July 4, 2011 · Language. English · Dimensions. 8.5 x 1.2 x 10.9 ... Conceptual Physics (11th Edition) - Hewitt, Paul G. Conceptual Physics (11th Edition) by Hewitt, Paul G. - ISBN 10: 0321568095 - ISBN 13: 9780321568090 -

Addison-Wesley - 2009 - Hardcover. Conceptual Physics - 11th Edition - Solutions and ... Our resource for Conceptual Physics includes answers to chapter exercises, as well as detailed information to walk you through the process step by step. With ... Conceptual Physics, Books a la Carte Plus ... Conceptual Physics, Hardcover 11th edition. Hewitt, Paul G. Published by Addison Wesley. ISBN 10: 0321776739 ISBN 13: 9780321776730. eBOOK-Paul-G.-Hewitt-Conceptual-Physics-11th-Edition- ... Phil Wolf, co- author of the Problem Solving in Conceptual Physics book that accompanies this edition, is on page 547. Helping create that book is high school ... Conceptual Physics by John A. Suchocki, Paul G. ... ISBN: 0321568095. Author: Hewitt, Paul G. Conceptual Physics (11th Edition). Sku: 0321568095-3-30798995. Condition: Used: Good. Qty Available: 1. ISBN 9780321568090 - Conceptual Physics 11th Find 9780321568090 Conceptual Physics 11th Edition by Paul Hewitt et al at over 30 bookstores. Buy, rent or sell. Conceptual Physics by Paul G. Hewitt | 9780321568090 Conceptual Physics (11th Edition). by Paul G. Hewitt. Hardcover, 737 Pages, Published 2009. ISBN-10: 0-321-56809-5 / 0321568095. ISBN-13: 978-0-321-56809-0 ... Conceptual Physics | Rent | 9780321568090 Conceptual Physics 11th edition ; ISBN-13: 978-0321568090 ; Format: Hardback ; Publisher: Addison-Wesley (10/26/2009) ; Copyright: 2010 ; Dimensions: 8.7 x 10.9 x 1 ... Operator's Manuals Learn safety techniques and get to know all the equipment necessary to operate all HIAB equipment including HIAB Crane Parts Manual. Manuals | Hiab Parts & Accessories Online ... HIAB > DOCUMENTATION > MANUALS >. From there you can find HIAB installation and service manuals. Manuals for MOFFETT. You can find manuals for MOFFETT by ... SERVICE MANUAL 091.999.0000 - Spare parts catalogue SERVICE MANUAL ; Material number: 091.999.0000 ; Product line: Truck Mounted Forklifts ; Description. Hiab original spare parts are designed specifically for our ... Hiab C-Service Spare Parts catalog Download In an e-book of parts Hiab C-Service includes parts catalogs for HIAB, ZEPRO, MOFFETT, MULTILIFT, LOGLIFT, Jonsered. Manual HIAB includes electric and hydraulic ... HIAB Catalogs Manuals and Instructions - Parts&Manuals HIAB C Service spare parts catalog, parts manual Hiab, service manual, electrical wiring diagram, hydraulic schematics for Zepro, Moffett, and more. HIAB C Service spare parts catalog, parts manual ... HIAB C Service spare parts catalog, parts manual Hiab, service manual, electrical wiring diagram, hydraulic schematics for Hiab Zepro, Moffett, Multilift, ... Hiab Crane Service Manual | PDF PB-622-EN-WW\_16sid.indd 5 2014-04-09 17.14 ... providing an outreach of just under 25 metres where it is profitable. ... have no trouble accessing places you used ... Hiab C-Service Parts catalogs and ... Spare parts catalogs and service manuals for HIAB, ZEPRO, MOFFETT, MULTILIFT, LOGLIFT, JONSERED HIAB spare parts catalogs. HIAB T-Cranes HIAB C-Service 2008 Nov 20, 2015 — Hello, You have any info after 2008? Thanks in advance. pm me for service/parts/operator manuals for JLG, Genie,.. Hiab Crane 603mb Pdf Dvd Service Manual, Maintenance ... ☐DON'T MISS OUT:Hiab Crane 603MB PDF DVD Service Manual, Maintenance Manual, Hydraulic Diagrams, Spare Parts Catalog PRODUCT PROPERTY:☐ Basic: Brand name is ...