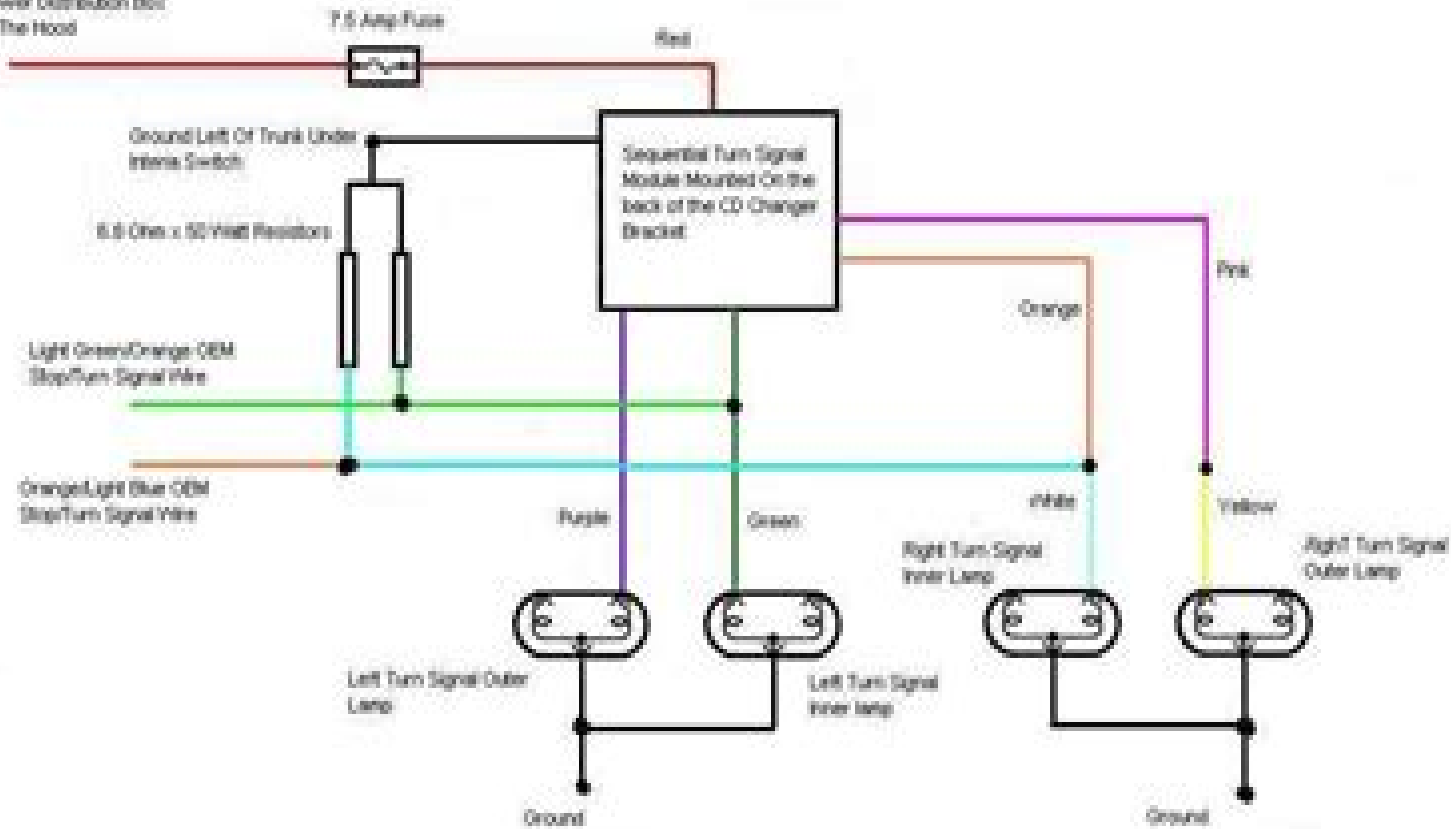


12v Taken from The Side Of The Power Distribution Box Under The Hood



Ground Left Of Trunk Under Interior Switch

7.5 Amp Fuse

Red

Sequential Turn Signal Module Mounted On the back of the CD Changer Bracket

6.8 Ohm x 2 Resistor

Light Green/Orange OEM Stop/Turn Signal Wire

Orange/Light Blue OEM Stop/Turn Signal Wire

Orange

Pink

Purple

Green

White

Yellow

Left Turn Signal Outer Lamp

Left Turn Signal Inner Lamp

Right Turn Signal Inner Lamp

Right Turn Signal Outer Lamp

Ground

Ground

# Tj Turn Signal Wiring

**K Payea**



## Tj Turn Signal Wiring:

*Chilton's Power Accessories and Wiring Diagrams Manual* Chilton Book Company. Automotive Editorial Department, 1973

**Iowa Departmental Rules** Iowa, 1956     *Signal Integrity Effects in Custom IC and ASIC Designs* Raminderpal Singh, 2001-12-12 offers a tutorial guide to IC designers who want to move to the next level of chip design by unlocking the secrets of signal integrity Jake Buurma Senior Vice President Worldwide Research Development Cadence Design Systems Inc Covers signal integrity effects in high performance Radio Frequency RF IC Brings together research papers from the past few years that address the broad range of issues faced by IC designers and CAD managers now and in the future A Wiley IEEE Press publication     The Explosives Engineer Harry Roberts (Jr.), Nelson Sutro Greensfelder, 1923     High-Power Converters and AC Drives Bin Wu, 2007-01-29 This book presents the latest cutting edge technology in high power converters and medium voltage drives and provides a complete analysis of various converter topologies modulation techniques practical drive configurations and advanced control schemes Supplemented with more than 250 illustrations the author illustrates key concepts with simulations and experiments Practical problems along with accompanying solutions are presented to help you tackle real world issues     **Awards ... Third Division, National Railroad Adjustment Board** United States. National Railroad Adjustment Board,     *Railway Age* ,1953     Ward's Automotive Yearbook ,1982 Includes advertising matter     Radio News ,1926 Some issues 1943 July 1948 include separately paged and numbered section called Radio electronic engineering edition called Radionics edition in 1943     *Silicon Controlled Rectifier Manual* General Electric Company, 1967

**Popular Mechanics** ,1964-06 Popular Mechanics inspires instructs and influences readers to help them master the modern world Whether it s practical DIY home improvement tips gadgets and digital technology information on the newest cars or the latest breakthroughs in science PM is the ultimate guide to our high tech lifestyle     The Electrical Engineer ,1889     **NASA Tech Brief** ,1970     **The American Contractor** ,1915     Electrical Review and Western Electrician with which is Consolidated Electrocraft ,1915     *Specifications and Drawings of Patents Issued from the United States Patent Office* United States. Patent Office, 1888     **Cumulative Index to NASA Tech Briefs** ,     New Technical Books ,1926

Electrical World ,1907     **Two Bells** ,1928

Immerse yourself in heartwarming tales of love and emotion with is touching creation, Experience Loveis Journey in **Tj Turn Signal Wiring** . This emotionally charged ebook, available for download in a PDF format ( Download in PDF: \*), is a celebration of love in all its forms. Download now and let the warmth of these stories envelop your heart.

[http://www.frostbox.com/results/Resources/Documents/Wiring\\_Diagram\\_Kawasaki\\_Kmx\\_200.pdf](http://www.frostbox.com/results/Resources/Documents/Wiring_Diagram_Kawasaki_Kmx_200.pdf)

## **Table of Contents Tj Turn Signal Wiring**

1. Understanding the eBook Tj Turn Signal Wiring
  - The Rise of Digital Reading Tj Turn Signal Wiring
  - Advantages of eBooks Over Traditional Books
2. Identifying Tj Turn Signal Wiring
  - Exploring Different Genres
  - Considering Fiction vs. Non-Fiction
  - Determining Your Reading Goals
3. Choosing the Right eBook Platform
  - Popular eBook Platforms
  - Features to Look for in an Tj Turn Signal Wiring
  - User-Friendly Interface
4. Exploring eBook Recommendations from Tj Turn Signal Wiring
  - Personalized Recommendations
  - Tj Turn Signal Wiring User Reviews and Ratings
  - Tj Turn Signal Wiring and Bestseller Lists
5. Accessing Tj Turn Signal Wiring Free and Paid eBooks
  - Tj Turn Signal Wiring Public Domain eBooks
  - Tj Turn Signal Wiring eBook Subscription Services
  - Tj Turn Signal Wiring Budget-Friendly Options
6. Navigating Tj Turn Signal Wiring eBook Formats

- ePub, PDF, MOBI, and More
  - Tj Turn Signal Wiring Compatibility with Devices
  - Tj Turn Signal Wiring Enhanced eBook Features
7. Enhancing Your Reading Experience
    - Adjustable Fonts and Text Sizes of Tj Turn Signal Wiring
    - Highlighting and Note-Taking Tj Turn Signal Wiring
    - Interactive Elements Tj Turn Signal Wiring
  8. Staying Engaged with Tj Turn Signal Wiring
    - Joining Online Reading Communities
    - Participating in Virtual Book Clubs
    - Following Authors and Publishers Tj Turn Signal Wiring
  9. Balancing eBooks and Physical Books Tj Turn Signal Wiring
    - Benefits of a Digital Library
    - Creating a Diverse Reading Collection Tj Turn Signal Wiring
  10. Overcoming Reading Challenges
    - Dealing with Digital Eye Strain
    - Minimizing Distractions
    - Managing Screen Time
  11. Cultivating a Reading Routine Tj Turn Signal Wiring
    - Setting Reading Goals Tj Turn Signal Wiring
    - Carving Out Dedicated Reading Time
  12. Sourcing Reliable Information of Tj Turn Signal Wiring
    - Fact-Checking eBook Content of Tj Turn Signal Wiring
    - Distinguishing Credible Sources
  13. Promoting Lifelong Learning
    - Utilizing eBooks for Skill Development
    - Exploring Educational eBooks
  14. Embracing eBook Trends
    - Integration of Multimedia Elements
    - Interactive and Gamified eBooks

## **Tj Turn Signal Wiring Introduction**

In the digital age, access to information has become easier than ever before. The ability to download Tj Turn Signal Wiring has revolutionized the way we consume written content. Whether you are a student looking for course material, an avid reader searching for your next favorite book, or a professional seeking research papers, the option to download Tj Turn Signal Wiring has opened up a world of possibilities. Downloading Tj Turn Signal Wiring provides numerous advantages over physical copies of books and documents. Firstly, it is incredibly convenient. Gone are the days of carrying around heavy textbooks or bulky folders filled with papers. With the click of a button, you can gain immediate access to valuable resources on any device. This convenience allows for efficient studying, researching, and reading on the go. Moreover, the cost-effective nature of downloading Tj Turn Signal Wiring has democratized knowledge. Traditional books and academic journals can be expensive, making it difficult for individuals with limited financial resources to access information. By offering free PDF downloads, publishers and authors are enabling a wider audience to benefit from their work. This inclusivity promotes equal opportunities for learning and personal growth. There are numerous websites and platforms where individuals can download Tj Turn Signal Wiring. These websites range from academic databases offering research papers and journals to online libraries with an expansive collection of books from various genres. Many authors and publishers also upload their work to specific websites, granting readers access to their content without any charge. These platforms not only provide access to existing literature but also serve as an excellent platform for undiscovered authors to share their work with the world. However, it is essential to be cautious while downloading Tj Turn Signal Wiring. Some websites may offer pirated or illegally obtained copies of copyrighted material. Engaging in such activities not only violates copyright laws but also undermines the efforts of authors, publishers, and researchers. To ensure ethical downloading, it is advisable to utilize reputable websites that prioritize the legal distribution of content. When downloading Tj Turn Signal Wiring, users should also consider the potential security risks associated with online platforms. Malicious actors may exploit vulnerabilities in unprotected websites to distribute malware or steal personal information. To protect themselves, individuals should ensure their devices have reliable antivirus software installed and validate the legitimacy of the websites they are downloading from. In conclusion, the ability to download Tj Turn Signal Wiring has transformed the way we access information. With the convenience, cost-effectiveness, and accessibility it offers, free PDF downloads have become a popular choice for students, researchers, and book lovers worldwide. However, it is crucial to engage in ethical downloading practices and prioritize personal security when utilizing online platforms. By doing so, individuals can make the most of the vast array of free PDF resources available and embark on a journey of continuous learning and intellectual growth.

## FAQs About Tj Turn Signal Wiring Books

How do I know which eBook platform is the best for me? Finding the best eBook platform depends on your reading preferences and device compatibility. Research different platforms, read user reviews, and explore their features before making a choice. Are free eBooks of good quality? Yes, many reputable platforms offer high-quality free eBooks, including classics and public domain works. However, make sure to verify the source to ensure the eBook credibility. Can I read eBooks without an eReader? Absolutely! Most eBook platforms offer web-based readers or mobile apps that allow you to read eBooks on your computer, tablet, or smartphone. How do I avoid digital eye strain while reading eBooks? To prevent digital eye strain, take regular breaks, adjust the font size and background color, and ensure proper lighting while reading eBooks. What the advantage of interactive eBooks? Interactive eBooks incorporate multimedia elements, quizzes, and activities, enhancing the reader engagement and providing a more immersive learning experience. Tj Turn Signal Wiring is one of the best book in our library for free trial. We provide copy of Tj Turn Signal Wiring in digital format, so the resources that you find are reliable. There are also many Ebooks of related with Tj Turn Signal Wiring. Where to download Tj Turn Signal Wiring online for free? Are you looking for Tj Turn Signal Wiring PDF? This is definitely going to save you time and cash in something you should think about.

### Find Tj Turn Signal Wiring :

[wiring diagram kawasaki kmx 200](#)

**wiring diagrams for a 2002 audi**

**wiring diagram for a 87 vw golf gti**

**wiring diagram 96 mazda miata**

**wiring diagrams for 1986 toyota corolla**

[wiring diagram for mitsubishi shogun](#)

~~wiring diagram for blower fan on a ford transit~~

~~wiring diagram besam door~~

~~wiring diagram central air conditioner~~

*wiring diagram uk plug*

*wiring diagram acura integra gsr 2000*

[wiring diagram evinrude 40 hp 4 stroke](#)

[wiring diagram for 1985 camaro](#)

**wiring diagrams power window for nissan**

wiring diagram harley dyna

**Tj Turn Signal Wiring :**

Used 2005 Mitsubishi Endeavor LS Sport Utility 4D See pricing for the Used 2005 Mitsubishi Endeavor LS Sport Utility 4D. Get KBB Fair Purchase Price, MSRP, and dealer invoice price for the 2005 Mitsubishi ... 2005 Mitsubishi Endeavor Review & Ratings Rides like a car, roomy seating, torquey V6 power plant, solid build and materials quality, good crash test scores. Cons. Images 2005 Mitsubishi Endeavor Price, Value, Ratings & Reviews Is the Mitsubishi Endeavor 2005 a good SUV? Owners of the vehicle give it 4.6 out of 5 stars. To find out if the 2005 Endeavor is the right car for you, check ... 2005 Mitsubishi Endeavor Specs, Price, MPG & Reviews The Endeavor's 3.8-liter V-6 generates 225 hp and 255 pounds-feet of torque. The four-speed-automatic transmission incorporates a Sportronic manual-gear-change ... Used 2005 Mitsubishi Endeavor Specs & Features Detailed specs and features for the Used 2005 Mitsubishi Endeavor including dimensions, horsepower, engine, capacity, fuel economy, transmission, ... Used 2005 Mitsubishi Endeavor for Sale Near Me What is the original MSRP of the 2005 Mitsubishi Endeavor? The original MSRP of the 2005 Mitsubishi Endeavor is from \$26,294 to \$34,094. Limited All-Wheel Drive 2005 Mitsubishi Endeavor Specs Limited All-Wheel Drive 2005 Mitsubishi Endeavor Specs ; Torque, 255 lb-ft. ; Torque rpm, 3,750 ; Payload, 1,020 lbs. ; Maximum towing capacity, 3,500 lbs. 2005 Mitsubishi Endeavor Problems - RepairPal.com Problem with your 2005 Mitsubishi Endeavor? Our list of 6 known complaints reported by owners can help you fix your 2005 Mitsubishi Endeavor. 2005 Mitsubishi Endeavor Consumer Reviews It handles so smooth and can pick up with speed without a slip, spit or sputter! The car is beautiful in the inside, great lighting through out the whole car, ... Solutions Manual for Digital Control of Dynamic Systems [3rd ... Introduction of the Reference Input. Integral Control and Disturbance Estimation. Effect of Delays. Controllability and Observability. Summary. Problems.9. Solutions manual : digital control of dynamic systems Solutions manual : digital control of dynamic systems. Authors: Gene F. Franklin, J. David Powell, Michael L. Workman. Front cover image for Solutions ... Solutions Manual Feedback Control of Dynamic Systems Page 1. 100. Solutions Manual. 6th Edition. Feedback Control of Dynamic. Systems ... digital signal. 3. A machine for making paper is diagrammed in Fig. 1.12 ... Solutions Manual for Digital Control of Dynamic Systems Title, Solutions Manual for Digital Control of Dynamic Systems. Authors, Gene F.. Franklin, J. David Powell. Publisher, Addison-Wesley, 1980. Solution Manual Digital Control of Dynamic System 3rd ... Jan 2, 2013 — Read 18 answers by scientists with 1 recommendation from their colleagues to the question asked by Adolfo Silva on Jan 3, 2013. Solutions Manual to Digital Control of Dynamic Systems 3e Buy a copy of Solutions Manual to Digital Control of Dynamic Systems 3e book by Gene F. Franklin. [PDF] Solutions Manual for Digital Control of Dynamic ... Jan 4, 2020 — [PDF] Solutions Manual for Digital Control of Dynamic



Systems 3rd Edition by Workman, Michael L. Franklin Download. Solutions Manuals & Test ... Digital Control of Dynamic Systems - Third Edition This well-respected, market-leading text discusses the use of digital computers in the real-time control of dynamic systems. The emphasis is on the design of ... Digital Control of Dynamic Systems: Solutions Manual Title, Digital Control of Dynamic Systems: Solutions Manual. Authors, Chen-Fang Chang, Gene F. Franklin, J. David Powell, Michael L. Workman. Solutions Manual to Digital Control of Dynamic Systems 3e ... Solutions Manual to Digital Control of Dynamic Systems 3e (3rd Edition). by J. David Powell, Gene F ... Real Estate Brokerage Operations This lesson will discuss access time, accumulated delay, action time, conformance, CQI, management by exception, optimum conformity, perception, performance ... Real Estate Training Courses Online - Agent Campus Agent Campus by 360training provides online real estate courses that Real Estate Agents need. Enroll today to get your license and continuing education. Become a Real Estate Agent and Renew Your License at ... About Us 360training is a leader in regulatory-approved online training and certification across a wide range of industries and professions in the United States. 360training 360training is a leading online e-learning provider. Since 1997, the company has delivered best-in-class training content for workforce compliance, ... 360 Training Reviews Texas sales associates can complete TREC approved SAE courses at 360 Training. Topics covered include: TREC Legal Update I and II; Real Estate Brokerage ... 360training Review This online learning center offers virtual real estate pre-licensing courses and training in 14 different states, although course options vary widely. Exam prep ... 360training Privately Held. Founded: 1997. Specialties: Real Estate Pre-Licensing, CE, Broker, OSHA Safety Training, Insurance Licensing, Environmental ... 360training Acquires Van Education Center To Expand Its ... May 3, 2021 — Acquiring VanEd and its team of real estate educators is a great addition to 360training. ... 360training is the most trusted online platform for ... 360 Training Sessions Flashcards Study with Quizlet and memorize flashcards containing terms like National Association of Realtors (NAR), A REALTOR® is a professional in real estate who ...