



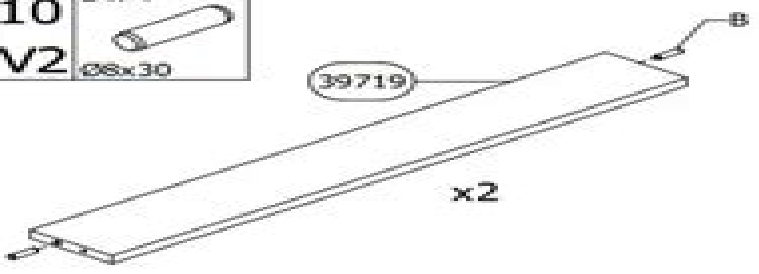
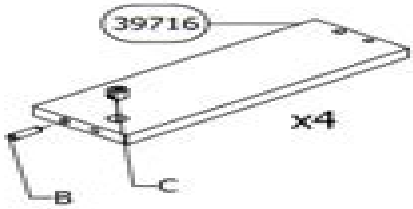
9
V2

C x 4	B x 4
	
Ø15/12	Ø8x30

10
V2

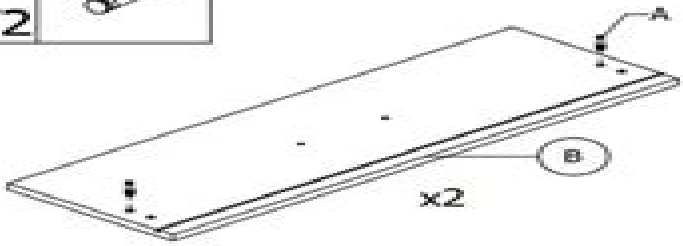
B x 4

Ø6x30



11
V2

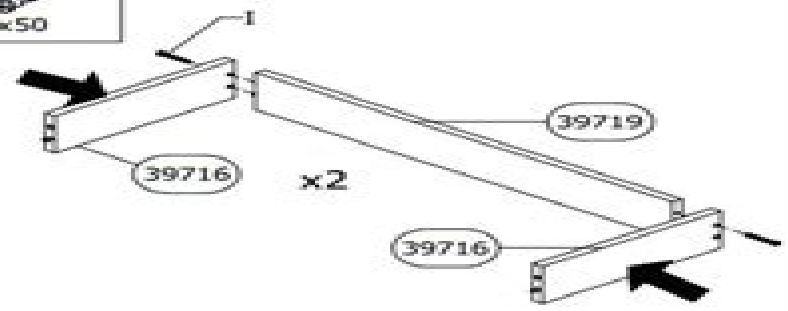
A x 4

12
V2

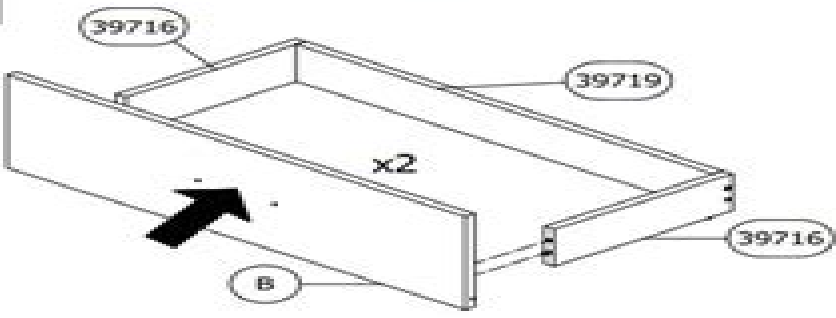
I x 4

Ø7x50

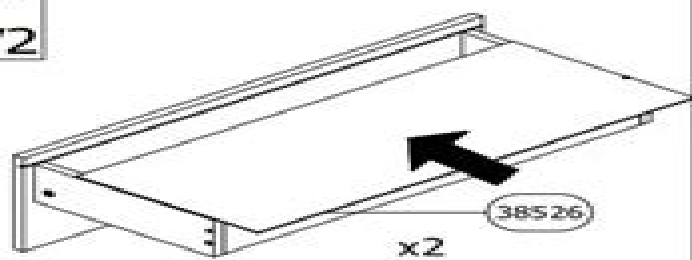


13
V2

B 39555

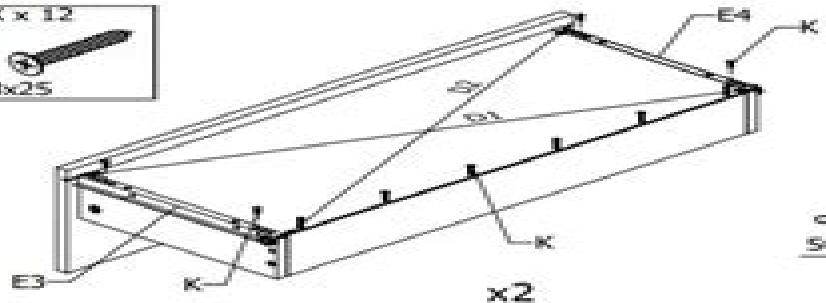


14
V2



15
V2

E x 3	E4	J x 8	K x 12
			
E3	3.5x16	3x25	



Varadero Instruction Manual

Sabine Zange



Varadero Instruction Manual:

International Flight Information Manual, 1960 *Smoke Rings* Alberto Olivares, 2010-10 *Smoke Rings* follows a group of friends who use their youthful experiences smuggling marijuana to form the basis for smuggling cigars into the United States. Now in their mid forties attorney Jorge Montes de Oca and his best friend John Davis a medical doctor find themselves lured into this adventure by another friend a Cuban exile and political activist who must finance his activities against the Cuban regime. As they become more involved in the adventure Jorge and John risk their professional lives to engage in the cigar smuggling. At the same time the cop who had pursued them during their marijuana smuggling days is hot on their trail again and this time the stakes are so much larger. Examining the intricacies affecting Cuban politics and the love of Cuban cigars *Smoke Rings* is fast paced thriller filled with action and the beautiful scenery of Miami Havana and the Florida Keys.

Official Gazette of the United States Patent and Trademark Office, 1992 *Visions of Power in Cuba* Lillian Guerra, 2012 In the tumultuous first decade of the Cuban Revolution Fidel Castro and other leaders saturated the media with altruistic images of themselves in a campaign to win the hearts of Cuba's six million citizens. In *Visions of Power in Cuba* Lillian Guerra *Unconventional Methods for Oil & Gas Exploration in Cuba* Manuel E. Pardo Echarte, Osvaldo Rodríguez Morán, 2015-12-14 This book studies the Redox Complex a complex of unconventional geophysical geochemical exploration techniques used for the indirect detection characterization and evaluation of various metal targets while also illustrating selected applications of unconventional geophysical geochemical methods for oil exploration in Cuba. This complex is successfully applied in various fields: oil studies of oil and metal contaminants in soils and the search for metallic archaeological burials. The use of these techniques is intended to complement the conventional prospecting complex by reducing areas and/or facilitating the selection of the most favorable targets, improving the economical geological effectiveness of investigations in the process. Further, the Redox Complex can be implemented without physical or chemical damage to the environment. The book's primary goals are to: 1. outline the general features characterizing the processes of metal mobilization, transport and accumulation on surficial media; 2. outline the methodology, data interpretation and mathematical apparatus that support quantitative estimates of the Redox Complex; and 3. design a database and applications system, the Redox System, to address storage processes, reports, graphics and the corresponding interpretations of the Redox Complex in a quick and reliable way. To do so, it examines the regions of Havana, Matanzas, Varadero Oil Field, Cantel Oil Field and Madruga Prospect and Ciego de vila Pina Oil Field, Cristales Oil Field, Jatibonico Oil Field, Jatibonico Oeste Prospect and Cacahual Prospect. The methods covered include, in some cases, airborne gamma spectrometry, K eTh ratio, beside ORP and in others the Redox Complex with reduced or standard attributes. In all cases, the anomalous complex of interest corresponds to the correlation of the minimum K eTh ratio with minimum ORP and in the case of the Redox Complex, Magnetic Susceptibility highs with ORP lows, Spectral Reflectance lows and maximum Content of Chemical Elements V Ni Pb Zn Fe *Operation*

Pedro Pan and the Exodus of Cuba's Children Deborah Shnookal, 2022-06-28 This in depth examination of one of the most controversial episodes in U S Cuba relations sheds new light on the program that airlifted 14 000 unaccompanied children to the United States in the wake of the Cuban Revolution Operation Pedro Pan is often remembered within the U S as an urgent rescue mission but Deborah Shnookal points out that a multitude of complex factors drove the exodus including Cold War propaganda and the Catholic Church s opposition to the island s new government Shnookal illustrates how and why Cold War scare tactics were so effective in setting the airlift in motion focusing on their context the rapid and profound social changes unleashed by the 1959 Revolution including the mobilization of 100 000 Cuban teenagers in the 1961 national literacy campaign Other reforms made by the revolutionary government affected women education religious schools and relations within the family and between the races Shnookal exposes how in its effort to undermine support for the revolution the U S government manipulated the aspirations and insecurities of more affluent Cubans She traces the parallel stories of the young Pedro Pans separated from their families in some cases indefinitely in what is often regarded in Cuba as a mass kidnapping and the children who stayed and joined the literacy brigades These divergent journeys reveal many underlying issues in the historically fraught relationship between the U S and Cuba and much about the profound social revolution that took place on the island after 1959 Publication of the paperback edition made possible by a Sustaining the Humanities through the American Rescue Plan grant from the National Endowment for the Humanities [Operation Pedro Pan](#) Yvonne M. Conde, 2023-10-03 Poignant stories from one of the world s largest political exoduses of children Praise for the first edition Compelling reading New Republic A collection of tearful testimonies woven with a tale of the event that unfolded in Cuba and led desperate parents to make the heart wrenching decision to send their children along to a foreign country Miami Herald Conde does an impressive job of reporting dozens of personal stories and fascinating vignettes A compilation of tales some moving many astonishing Chicago Tribune A well researched history of Operation Pedro Pan a portrait of early revolutionary Cuba and a compendium of testimony from the now grown children Publishers Weekly The book s primary value lies in the individual stories from tearful departure and arrival in Miami to temporary shelters and placement in homes or in some cases in orphanages to learning a new language and adjusting and in many cases assimilating to reunions with parents adolescence in the 60s and 70s and adulthood Booklist Conde does an excellent job of narrating the essential outline of the history of Operation Pedro Pan and an equally superb job of analyzing the circumstances that created this exodus from the viewpoint of those who felt compelled to create it and keep it going Operation Pedro Pan is as much a primary source as it is a work of history as much a window onto a mentality as it is a guide to events names and institutions Carlos M N Eire Hispanic American Historical Review Fascinating is the least one can say about this book It s the story of thousands of Cuban children who wouldn t grow up under communism and were sent by their parents to the never never land of America Some of them lived happily ever after because this version of Peter Pan is a tragedy with a happy ending sometimes Fidel Castro by the way

plays a very credible Captain Hook Guillermo Cabrera Infante Cervantes Prize winning novelist On August 11 1961 at the age of ten Yvonne Conde left Cuba in one of the world s largest political exoduses of children in history Operation Pedro Pan Between 1960 and 1962 over 14 000 children were sent out of Cuba alone by desperate parents who feared for their children s future under Castro Unlike Peter Pan however these children continued to grow up even while separated from their families As the children arrived in temporary camps in Miami volunteers such as Father Bryan O Walsh helped them find new homes across the country Conde tracked down hundreds of these children to tell their diverse stories their uplifting poignant and sometimes tragic experiences in American foster homes and orphanages Because Conde herself was a Pedro Pan child others have opened up to her like never before to share their feelings about this painful time in their lives Today these children and their families struggle to heal the emotional scars of their long separation In this edition with a new prologue Conde looks back on Operation Pedro Pan from the vantage point of six decades and brings readers up to date on events and discoveries since the groundbreaking first publication of this book in 1999 Writing with compassion and rare insight Conde uncovers the true tales of a little known episode of the Cold War

New Serial Titles ,1973 **Problems in Modern Latin American History** James A. Wood,Anna Rose,2019-02-12 Now in its fifth edition this leading reader has been updated with new readings and visual sources This edition includes an added final chapter on current social movements to help students reflect on the ecological realities that inform their world In addition the Legacies of Colonialism chapter has been restored to give students an understanding of the deep roots of the problems explored Instead of a separate chapter on women and social change women s voices have been woven more seamlessly throughout the book to reflect women s parity and equity in history With its innovative combination of primary and secondary sources and thoughtful editorial analysis this text is designed specifically to stimulate critical thinking in a wide range of courses on Latin American history since independence

Economies of Desire Amalia L. Cabezas,2009-04-28 Money sex and love Are they merely market forces in transnational tourism *British Archives on Cuba: 1961* ,2003 *Children of the Revolution* Jonathan Kozol,1980

United States Government Publications Monthly Catalog ,1947-03 **Cuba, the Economic and Social Revolution** Dudley Seers,1964 This book examines the economic and social developments in Cuba since the Castro government came to power in 1959

International Notices to Airmen ,1978 National Literacy Campaigns and Movements Jose Carlos Chiaramonte,2017-09-08 Major campaigns to raise levels of literacy have taken place for centuries and share many common elements But despite literary campaigns spanning over five decades 860 million adults still lack minimal ability to read write and calculate Why is literacy of such great importance and why have so many years of campaigning for it not been successful in fully overcoming this obstacle National Literacy Campaigns and Movements explores these questions by examining campaigns in vastly different societies from a historical and comparative perspective The volume focuses on literacy movements from the past including those of Reformation Germany early modern Sweden and

Scotland nineteenth century United States nineteenth and early twentieth century Russia and the Soviet Union pre Revolutionary and Revolutionary China and Tanzania Cuba Nicaragua and India Contributors analyze literacy goals and outcomes in specific contexts The editors distinguish quantitative and qualitative dimensions of literacy activities such as the difference between the spread of literacy and patterns of its use The common enterprise of this book is to expand upon the contributors previous research to include a comparative dimension This book offers the first systematic attempt to examine critically and comparatively the concepts and facts of large scale literacy campaigns in more than a dozen societies over nearly five hundred years It offers a valuable historical lesson not only for historians but also for educators that instead of concentrating only on the recent period we should use the vast and complex history of literacy movements to shed understanding on the present and future of literacy A major new introduction to this edition asserts recent literary campaigns and the lessons provided by their success and failures It also describes how the focus of some movements has evolved

The Morning After Victor Franco,1963 **Caribbean Review** ,1981 **Engineering News-record** ,1959
Acronyms, Initialisms & Abbreviations Dictionary Mary Rose Bonk,2003

This Engaging World of Kindle Books: A Comprehensive Guide Revealing the Advantages of E-book Books: A World of Ease and Flexibility Kindle books, with their inherent portability and simplicity of access, have liberated readers from the limitations of hardcopy books. Gone are the days of carrying cumbersome novels or carefully searching for specific titles in bookstores. Kindle devices, sleek and lightweight, seamlessly store an wide library of books, allowing readers to indulge in their favorite reads whenever, anywhere. Whether traveling on a bustling train, relaxing on a sunny beach, or simply cozying up in bed, Kindle books provide an exceptional level of convenience. A Reading Universe Unfolded: Discovering the Wide Array of Kindle Varadero Instruction Manual Varadero Instruction Manual The Kindle Shop, a virtual treasure trove of literary gems, boasts an wide collection of books spanning varied genres, catering to every readers taste and preference. From gripping fiction and mind-stimulating non-fiction to classic classics and contemporary bestsellers, the E-book Shop offers an exceptional variety of titles to discover. Whether looking for escape through engrossing tales of fantasy and adventure, diving into the depths of past narratives, or broadening ones knowledge with insightful works of science and philosophy, the E-book Store provides a gateway to a bookish universe brimming with limitless possibilities. A Game-changing Factor in the Literary Landscape: The Enduring Influence of Kindle Books Varadero Instruction Manual The advent of E-book books has undoubtedly reshaped the literary landscape, introducing a paradigm shift in the way books are published, disseminated, and read. Traditional publication houses have embraced the digital revolution, adapting their approaches to accommodate the growing demand for e-books. This has led to a rise in the availability of E-book titles, ensuring that readers have access to a vast array of literary works at their fingers. Moreover, Kindle books have equalized entry to literature, breaking down geographical barriers and offering readers worldwide with similar opportunities to engage with the written word. Regardless of their location or socioeconomic background, individuals can now immerse themselves in the captivating world of literature, fostering a global community of readers. Conclusion: Embracing the E-book Experience Varadero Instruction Manual Kindle books Varadero Instruction Manual, with their inherent convenience, versatility, and vast array of titles, have certainly transformed the way we encounter literature. They offer readers the freedom to discover the boundless realm of written expression, anytime, everywhere. As we continue to navigate the ever-evolving digital landscape, E-book books stand as testament to the enduring power of storytelling, ensuring that the joy of reading remains reachable to all.

http://www.frostbox.com/About/scholarship/Documents/Technogym_Top_600_Xt_Manual.pdf

Table of Contents Varadero Instruction Manual

1. Understanding the eBook Varadero Instruction Manual
 - The Rise of Digital Reading Varadero Instruction Manual
 - Advantages of eBooks Over Traditional Books
2. Identifying Varadero Instruction Manual
 - Exploring Different Genres
 - Considering Fiction vs. Non-Fiction
 - Determining Your Reading Goals
3. Choosing the Right eBook Platform
 - Popular eBook Platforms
 - Features to Look for in an Varadero Instruction Manual
 - User-Friendly Interface
4. Exploring eBook Recommendations from Varadero Instruction Manual
 - Personalized Recommendations
 - Varadero Instruction Manual User Reviews and Ratings
 - Varadero Instruction Manual and Bestseller Lists
5. Accessing Varadero Instruction Manual Free and Paid eBooks
 - Varadero Instruction Manual Public Domain eBooks
 - Varadero Instruction Manual eBook Subscription Services
 - Varadero Instruction Manual Budget-Friendly Options
6. Navigating Varadero Instruction Manual eBook Formats
 - ePub, PDF, MOBI, and More
 - Varadero Instruction Manual Compatibility with Devices
 - Varadero Instruction Manual Enhanced eBook Features
7. Enhancing Your Reading Experience
 - Adjustable Fonts and Text Sizes of Varadero Instruction Manual
 - Highlighting and Note-Taking Varadero Instruction Manual
 - Interactive Elements Varadero Instruction Manual
8. Staying Engaged with Varadero Instruction Manual

- Joining Online Reading Communities
 - Participating in Virtual Book Clubs
 - Following Authors and Publishers Varadero Instruction Manual
9. Balancing eBooks and Physical Books Varadero Instruction Manual
- Benefits of a Digital Library
 - Creating a Diverse Reading Collection Varadero Instruction Manual
10. Overcoming Reading Challenges
- Dealing with Digital Eye Strain
 - Minimizing Distractions
 - Managing Screen Time
11. Cultivating a Reading Routine Varadero Instruction Manual
- Setting Reading Goals Varadero Instruction Manual
 - Carving Out Dedicated Reading Time
12. Sourcing Reliable Information of Varadero Instruction Manual
- Fact-Checking eBook Content of Varadero Instruction Manual
 - Distinguishing Credible Sources
13. Promoting Lifelong Learning
- Utilizing eBooks for Skill Development
 - Exploring Educational eBooks
14. Embracing eBook Trends
- Integration of Multimedia Elements
 - Interactive and Gamified eBooks

Varadero Instruction Manual Introduction

In the digital age, access to information has become easier than ever before. The ability to download Varadero Instruction Manual has revolutionized the way we consume written content. Whether you are a student looking for course material, an avid reader searching for your next favorite book, or a professional seeking research papers, the option to download Varadero Instruction Manual has opened up a world of possibilities. Downloading Varadero Instruction Manual provides numerous advantages over physical copies of books and documents. Firstly, it is incredibly convenient. Gone are the days of carrying around heavy textbooks or bulky folders filled with papers. With the click of a button, you can gain immediate

access to valuable resources on any device. This convenience allows for efficient studying, researching, and reading on the go. Moreover, the cost-effective nature of downloading Varadero Instruction Manual has democratized knowledge. Traditional books and academic journals can be expensive, making it difficult for individuals with limited financial resources to access information. By offering free PDF downloads, publishers and authors are enabling a wider audience to benefit from their work. This inclusivity promotes equal opportunities for learning and personal growth. There are numerous websites and platforms where individuals can download Varadero Instruction Manual. These websites range from academic databases offering research papers and journals to online libraries with an expansive collection of books from various genres. Many authors and publishers also upload their work to specific websites, granting readers access to their content without any charge. These platforms not only provide access to existing literature but also serve as an excellent platform for undiscovered authors to share their work with the world. However, it is essential to be cautious while downloading Varadero Instruction Manual. Some websites may offer pirated or illegally obtained copies of copyrighted material. Engaging in such activities not only violates copyright laws but also undermines the efforts of authors, publishers, and researchers. To ensure ethical downloading, it is advisable to utilize reputable websites that prioritize the legal distribution of content. When downloading Varadero Instruction Manual, users should also consider the potential security risks associated with online platforms. Malicious actors may exploit vulnerabilities in unprotected websites to distribute malware or steal personal information. To protect themselves, individuals should ensure their devices have reliable antivirus software installed and validate the legitimacy of the websites they are downloading from. In conclusion, the ability to download Varadero Instruction Manual has transformed the way we access information. With the convenience, cost-effectiveness, and accessibility it offers, free PDF downloads have become a popular choice for students, researchers, and book lovers worldwide. However, it is crucial to engage in ethical downloading practices and prioritize personal security when utilizing online platforms. By doing so, individuals can make the most of the vast array of free PDF resources available and embark on a journey of continuous learning and intellectual growth.

FAQs About Varadero Instruction Manual Books

What is a Varadero Instruction Manual PDF? A PDF (Portable Document Format) is a file format developed by Adobe that preserves the layout and formatting of a document, regardless of the software, hardware, or operating system used to view or print it. **How do I create a Varadero Instruction Manual PDF?** There are several ways to create a PDF: Use software like Adobe Acrobat, Microsoft Word, or Google Docs, which often have built-in PDF creation tools. Print to PDF: Many applications and operating systems have a "Print to PDF" option that allows you to save a document as a PDF file

instead of printing it on paper. Online converters: There are various online tools that can convert different file types to PDF. **How do I edit a Varadero Instruction Manual PDF?** Editing a PDF can be done with software like Adobe Acrobat, which allows direct editing of text, images, and other elements within the PDF. Some free tools, like PDFescape or Smallpdf, also offer basic editing capabilities. **How do I convert a Varadero Instruction Manual PDF to another file format?** There are multiple ways to convert a PDF to another format: Use online converters like Smallpdf, Zamzar, or Adobe Acrobats export feature to convert PDFs to formats like Word, Excel, JPEG, etc. Software like Adobe Acrobat, Microsoft Word, or other PDF editors may have options to export or save PDFs in different formats. **How do I password-protect a Varadero Instruction Manual PDF?** Most PDF editing software allows you to add password protection. In Adobe Acrobat, for instance, you can go to "File" -> "Properties" -> "Security" to set a password to restrict access or editing capabilities. Are there any free alternatives to Adobe Acrobat for working with PDFs? Yes, there are many free alternatives for working with PDFs, such as: LibreOffice: Offers PDF editing features. PDFsam: Allows splitting, merging, and editing PDFs. Foxit Reader: Provides basic PDF viewing and editing capabilities. How do I compress a PDF file? You can use online tools like Smallpdf, ILovePDF, or desktop software like Adobe Acrobat to compress PDF files without significant quality loss. Compression reduces the file size, making it easier to share and download. Can I fill out forms in a PDF file? Yes, most PDF viewers/editors like Adobe Acrobat, Preview (on Mac), or various online tools allow you to fill out forms in PDF files by selecting text fields and entering information. Are there any restrictions when working with PDFs? Some PDFs might have restrictions set by their creator, such as password protection, editing restrictions, or print restrictions. Breaking these restrictions might require specific software or tools, which may or may not be legal depending on the circumstances and local laws.

Find Varadero Instruction Manual :

technogym top 600 xt manual

television guide time warner cable

[telecor xl program manual](#)

teks chemistry chapter 9 study guide

[technical analysis patterns indicators](#)

[teco led user guide](#)

technics 1200 m3d manual

technical communication 8th edition paul v anderson

[teeny s tour of pie a cookbook](#)

[tecumseh lawn mower repair manual 386090](#)

tecumseh tvs 115 parts manual

[tecumseh small engine repair manual oh195ea](#)

[tecumseh small engines workshop manual instant](#)

technical analyst magazine awards 2013

telephone exchange block diagram of ericsson

Varadero Instruction Manual :

[economics chapter 18 review flashcards quizlet](#) - Nov 05 2022

web rs123456 reteaching activity 18 terms in this set 10 fixed costs mortgage payments and property taxes are two examples of this scarcity this causes people to make choices

chapter 18 reteaching activity section 1 flashcards quizlet - May 11 2023

web 14 answers question t f a client makes a sexual innuendo towards you you should either report them to your manager or inform them you feel uncomfortable with sexual

[reteaching activities mcgraw hill education](#) - Dec 06 2022

web chapter 18 food shopping storage and sanitation reteaching activities for activities that provide different approaches to important concepts from the text check out the

reteaching activities mcgraw hill education - Sep 22 2021

web reteaching activities for activities that reinforce concepts from the text check out the chapter 8 reteaching activities 125 0k online student edition check your

[chapter 8 section 3 reteaching activity nationalism case](#) - Jul 01 2022

web chapter 8 section 3 reteaching activity nationalism case study italy and germany flashcards learn test match flashcards learn test match created by

[reteaching activities with answer key solutions manual chegg](#) - Jul 13 2023

web our interactive player makes it easy to find solutions to reteaching activities with answer key problems you re working on just go to the chapter for your book hit a particularly

section 18 reteaching activity answers pdf uniport edu - Feb 25 2022

web apr 23 2023 section 18 reteaching activity answers 1 4 downloaded from uniport edu ng on april 23 2023 by guest section 18 reteaching activity answers

reteaching activities answer key mcgraw hill education - Apr 10 2023

web reteaching activities answer key 512 0k search search for site preferences log out this form changes settings for this

website only to make changes to your user

[4 pairing them up 7 go team go](#) - Jan 07 2023

web answer key reteaching 1 64 qxd 7 3 08 1 58 am page 59 epq 106 mhgl191 appl 0 reteaching activities answers will vary 18 hints for eating

reteaching activities answer key mcgraw hill education - Feb 08 2023

web reteaching answers chapter 1 activity 1 answers 1 management 2 nutrients 3 self esteem 4 leadership 5 agriculture 6 critical thinking 7 creativity 8 comfort foods 9

section 18 reteaching activity answers - Sep 03 2022

web section 18 reteaching activity answers recognizing the habit ways to acquire this ebook section 18 reteaching activity answers is additionally useful you have remained in

section 18 reteaching activity answers pdf uniport edu - Oct 24 2021

web section 18 reteaching activity answers 2 5 downloaded from uniport edu ng on july 22 2023 by guest parenting verna hildebrand 1994 helps students build skills in decision

[reteaching activity 18 answers answers for 2023 exams](#) - Jun 12 2023

web reteaching activity 18 world geography answers 1 5 downloaded from sunlandpark nm gov on november 22 2022 by dona r murray reteaching activity 18 world this

reteaching activities mcgraw hill education - Aug 14 2023

web section 2 practice test chapter summaries with key terms and academic vocabulary net connection web links fill in the blank games eflashcards in english spanish

read online chapter 18 section 4 reteaching activity conflicts - Dec 26 2021

web apr 5 2023 read online chapter 18 section 4 reteaching activity conflicts in the middle east answer key free download pdf well as treaty can be gotten by just

section 18 reteaching activity answers pdf pdf - Apr 29 2022

web title section 18 reteaching activity answers pdf pdf digitalworkgroup skidmore edu created date 9 14 2023 12 35 53 am

reteaching activities answer key mcgraw hill education - Mar 09 2023

web reteaching activities answer key applying life skills reteaching activities 1 14 15 16 and 18 chapter 8 activity 25 1 inspire person to work harder encourage

[section 18 reteaching activity answers pdf uniport edu](#) - Mar 29 2022

web jul 22 2023 section 18 reteaching activity answers 1 4 downloaded from uniport edu ng on july 22 2023 by guest section 18 reteaching activity answers

web 1 18 - Nov 24 2021

section 18 reteaching activity answers pdf uniport edu - Jan 27 2022

web apr 10 2023 section 18 reteaching activity answers 1 3 downloaded from uniport edu ng on april 10 2023 by guest

section 18 reteaching activity answers if

reteaching activities flashcards quizlet - Oct 04 2022

web study with quizlet and memorize flashcards containing terms like ch 1 what do anthropologists mean when they use the term culture what are some common

section 18 reteaching activity answers pdf uniport edu - Aug 02 2022

web section 18 reteaching activity answers 1 4 downloaded from uniport edu ng on june 27 2023 by guest section 18 reteaching activity answers yeah reviewing a books

18 chapter guided reading the cold war heats up mr - May 31 2022

web reteaching activity the cold war heats up 2 sequencing a complete the time line below by describing the key events of the korean war june 1950 january 1951

all the lucy and andy neanderthal books in order toppsta - Mar 30 2022

web by jeffrey brown 1 review all the lucy and andy neanderthal books in order book 1 lucy and andy neanderthal 2016 book 2 the stone age cold 2017 book 3 bad to the bones 2019 main series other titles

lucy andy neanderthal lucy and andy neanderthal series 1 - Feb 09 2023

web apr 10 2018 two neanderthal preteens weave a tale of everyday life to which even modern kids can relate over 40 000 years ago tucked into a cozy cave siblings lucy and andy live with their light skinned and hirsute tribe made up of their family mother luba father charles and baby brother danny and another daryl and his children margaret

lucy andy neanderthal lucy and andy neanderthal - Dec 07 2022

web apr 10 2018 from the author of the new york times bestselling jedi academy books comes a hilarious graphic novel series about two young cave kids living 40 000 years ago lucy andy are stone age rock stars i loved this book lincoln peirce author of the big nate series lucy and andy are a sister and brother who get into trouble much like

lucy and andy neanderthal 1 amazon co uk - Aug 03 2022

web lucy and andy neanderthal 1 jeffrey brown amazon co uk books continue without accepting select your cookie preferences we use cookies and similar tools that are necessary to

lucy andy neanderthal big and boulder 1 issue comic vine - Dec 27 2021

web may 5 2019 lucy andy neanderthal big and boulder 1 lucy andy neanderthal big and boulder when a meteor hits nearby lucy andy can t help but go investigate and chaos ensues once the kids realize

lucy andy neanderthal 1 lucy and andy neanderthal - Jul 02 2022

web the story follows the daily lives of two children lucy and andy and their neanderthal extended family group lucy is the bossy clever older sister andy the younger brother anxious to join his father and the men of the group in

lucy andy néandertal 1 bedetheque - Feb 26 2022

web jun 12 2020 lucy andy néandertal 1 lucy andy néandertal une bd de jeffrey brown chez qilinn 2017 01 2017 193 pages 9782374930664 autre format 396088 la famille néandertal de lucy et son petit frère andy vient de chasser un énorme mamouth

lucy andy neanderthal lucy andy neanderthal 1 - Jun 13 2023

web lucy and andy are a sister and brother who get into trouble much like any sister and brother only difference lucy and andy live in the stone age discover their laugh out loud adventures as the paleo pair take on a wandering baby sibling bossy teens cave paintings and a mammoth hunt but what will happen when they encounter a group of

lucy andy neanderthal lucy and andy neanderthal book 1 - Jul 14 2023

web aug 30 2016 lucy andy neanderthal lucy and andy neanderthal book 1 kindle edition by brown jeffrey download it once and read it on your kindle device pc phones or tablets use features like bookmarks note taking and highlighting while reading lucy andy neanderthal lucy and andy neanderthal book 1

lucy andy neanderthal by jeffrey brown 9780525643975 - Nov 06 2022

web lucy andy neanderthal by jeffrey brown 9780525643975 penguinrandomhouse com books from the author of the new york times bestselling jedi academy books comes a hilarious graphic novel series about two young cave kids living 40 000 years

book review lucy andy neanderthal owl connected - Jan 28 2022

web aug 27 2016 lucy andy neanderthal is a funny but educational book that teaches you about the neanderthals through comics lucy andy are siblings and typical neanderthals they and their family have adventures

lucy andy neanderthal lucy and andy neanderthal - Oct 05 2022

web lucy andy neanderthal lucy and andy neanderthal jeffrey brown amazon com tr kitap

lucy and andy neanderthal penguin random house - Jan 08 2023

web hardcover 1 paperback 1 from the author of the new york times bestselling jedi academy books comes book three in the laugh out loud graphic novel series about neanderthal siblings lucy and andy fans of big nate diary of a wimpy kid and the terrible two won t want to miss it

lucy and andy neanderthal book 1 a book and a hug - Jun 01 2022

web apr 2 2018 part of a series from the author of the new york times bestselling jedi academy books comes a hilarious graphic novel series about two young cave kids living 40 000 years ago lucy andy are stone age rock stars i loved this book lincoln peirce author of the big nate series

lucy andy neanderthal lucy and andy neanderthal 1 - Aug 15 2023

web apr 10 2018 his middle grade series lucy andy neanderthal was 40 000 years in the making telling the story of a kid sister and brother living in the stone age along with real research into life in prehistoric times

lucy andy neanderthal brown jeffrey 1975 author ilustrator - Apr 30 2022

web lucy and her goofball brother andy two neanderthal siblings living 40 000 years ago take on a wandering baby sibling bossy teens cave paintings and a mammoth hunt but what will happen when they encounter a group of humans includes a special paleontologist section that helps to dispel common neanderthal myths

lucy andy neanderthal jeffrey brown google books - Sep 04 2022

web aug 30 2016 lucy andy neanderthal volume 1 of lucy and andy neanderthal author jeffrey brown publisher random house children s books 2016 isbn 0385388365 9780385388368 length 240

lucy andy neanderthal lucy and andy neanderthal - May 12 2023

web aug 30 2016 lucy andy neanderthal lucy and andy neanderthal brown jeffrey brown jeffrey on amazon com free shipping on qualifying offers lucy andy neanderthal lucy and andy neanderthal

lucy andy neanderthal lucy andy neanderthal 1 - Apr 11 2023

web his most recent project has been 40 000 years in the making lucy andy neanderthal lucy and andy are a brother and sister living in the stone age where they struggle to survive mammoths cave bears and their own sibling rivalry lucy andy book two the stone cold age is available now

lucy andy neanderthal goodreads - Mar 10 2023

web lucy andy neanderthal is the story of two neanderthal kids living in a cave with their family there is a mammoth hunt which they are not allowed to go on cave painting miscellaneous gathering and all kinds of other stone age hijinks

introduction wiley - Mar 13 2023

web power generation operation and control third edition allen wood bruce f wollenberg and gerald b shebl 2014 ohn wiley sons inc published 2014 by ohn wiley sons inc 1 1 1 purpose of the course the objectives of a first year one semester graduate course in electric power gener ation operation and control include the

power generation operation and control wood allen j free - Feb 12 2023

web power generation operation and control by wood allen j publication date 1984 machine derived contents note

characteristics of power generation units economic dispatch of thermal units and methods of solution transmission system effects unit commitment generation with limited energy supply

allen j wood author of solutions manual for power generation - Oct 08 2022

web allen j wood is the author of solutions manual for power generation operation control 4 21 avg rating 389 ratings 81 reviews published 1987 powe

power generation operation and control allen j wood bruce - Apr 14 2023

web nov 18 2013 power generation operation and control allen j wood bruce f wollenberg gerald b sheblé john wiley sons nov 18 2013 technology engineering 656 pages a thoroughly revised new

power generation operation and control hardcover amazon in - Jan 31 2022

web a comprehensive text on the operation and control of power generation and transmission systems in the ten years since allen j wood and bruce f wollenberg presented their comprehensive introduction to the engineering and economic factors involved in operating and controlling power generation systems in electric utilities the electric power industry

power generation operation and control 3rd edition wiley - Jan 11 2023

web a thoroughly revised new edition of the definitive work on power systems best practices in this eagerly awaited new edition power generation operation and control continues to provide engineers and academics with a complete picture of the techniques used in modern power system operation

power generation operation and control allen j wood bruce - Dec 10 2022

web nov 7 2012 a comprehensive text on the operation and control of power generation and transmission systems in the ten years since allen j wood and bruce f wollenberg presented their comprehensive

power generation operation and control allen j wood bruce - Jun 04 2022

web power generation operation and control allen j wood bruce f wollenberg wiley 1984 electric power systems 444 pages characteristics of power generation units economic dispatch

power generation operation and control 2nd edition semantic - Sep 07 2022

web may 1 1996 power generation operation and control 2nd edition a wood b wollenberg g sheblé published 1 may 1996 economics fuel and energy abstracts view via publisher 4m net org save to library create alert

9780471790556 download e bookshelf de - Aug 18 2023

web power generation operation and control third edition allen j wood bruce f wollenberg gerald b sheblé pages cm includes bibliographical references and index isbn 978 0 471 79055 6 hardback electric power systems i wollenberg bruce f author author iii title tk1001 w64 2013 621 31 dc23 ii sheblé gerald b 2013013050

power generation operation control cusp - Jun 16 2023

web power generation operation and control 3rd edition authors allen j wood bruce f wollenberg gerald b sheble isbn 978 0 471 79055 6 publisher wiley complete solution manual for the power generation operation and control to receive a copy of the entire solutions manual contact john wiley sons and register as a faculty member

wiley vch power generation operation and control - May 15 2023

web since publication of the second edition there have been extensive changes in the algorithms methods and assumptions in energy management systems that analyze and control power generation this edition is updated to acquaint electrical engineering students and professionals with current power generation systems

chapter 2 solutions power generation operation pdf scribd - Jul 05 2022

web bruce f wollenberg gerald b shebl fproblem 2 1 solution problem 2 1 the interested student should rewrite the equations for the vertically integrated utility to show that the total revenue received from all activities is equal to the sum of all input costs plus the sum of all capacity charges note that total revenue equals total cost

power generation operation and control 3rd edition wiley - Mar 01 2022

web a thoroughly revised new edition of the definitive work on power systems best practices in this eagerly awaited new edition power generation operation and control continues to provide engineers and academics with a complete picture of the techniques used in modern power system operation

for power generation operation and control allen j wood - Jul 17 2023

web power generation operation and control allen j wood bruce f wollenberg gerald b sheblé august 2013 we trust that these homework problem solutions will prove helpful in teaching a course with our text if you find typographical errors please send us corrections via john wiley allen j wood bruce f wollenberg gerald b sheblé

power generation operation and control solutions manual - Aug 06 2022

web power generation operation and control solutions manual author geoffrey wood edition 2 publisher john wiley sons incorporated 1998 isbn 0471169218

power generation operation and control book osti gov - Apr 02 2022

web this book discusses the economic and engineering aspects used in the planning operating and controlling of power generation and transmission systems for electric utilities it presents advanced mathematical and operations research methods used for electric power engineering problems

power generation operation and control allen wood 3rd edition solution - Sep 19 2023

web jan 21 2022 authors allen j wood bruce f wollenberg gerald b sheblé published 2013 edition 3rd pages 658 308 type pdf size 8mb 5mb content book solution manual addeddate 2022 01 21 09 07 10 identifier sample solution manual power generation operat 3rd f t wood dp wollenberg identifier ark

chapter 9 solutions pdf problem solutions for power generation - Nov 09 2022

web view chapter 9 solutions pdf from dee 401 at pakistan institute of engineering applied sciences islamabad problem solutions for power generation operation and control allen j wood bruce f

solutions manual for power generation operation control - May 03 2022

web mar 25 1998 created by an anonymous user imported from amazon com record solutions manual for power generation operation control by wood march 25