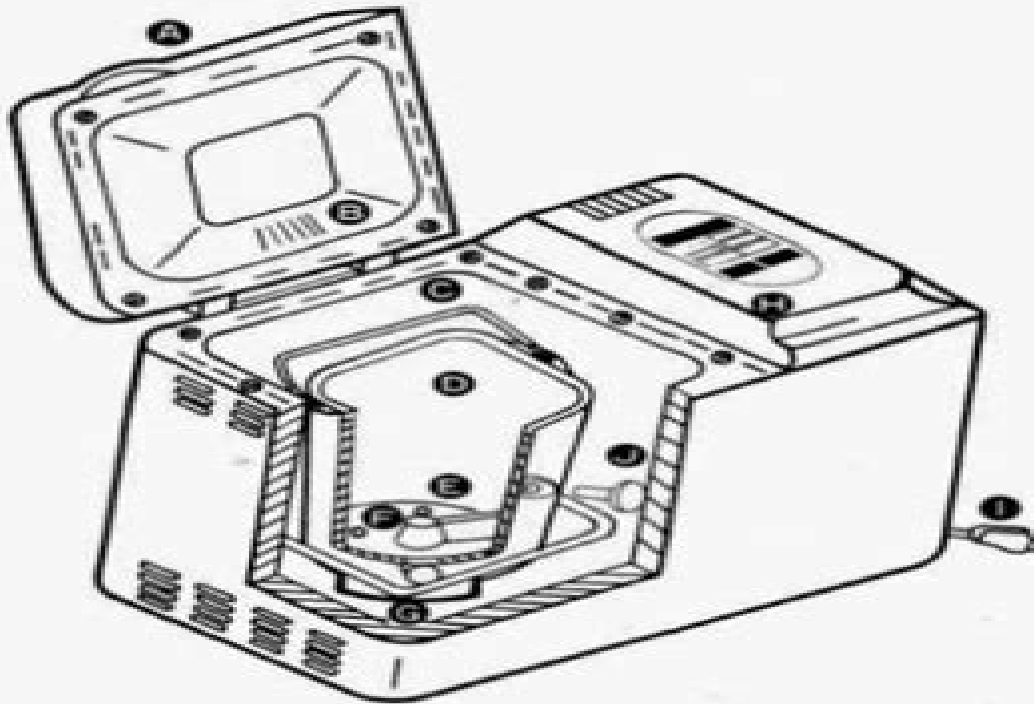

YOUR WELBILT® BREAD MACHINE



- A. Lid
- B. Steam Vent
- C. Handle
- D. Bread Pan
- E. Kneading Blade
- F. Drive Shaft
- G. Heating Element
- H. Control Panel
- I. Power Cord
- J. Dough Hook

Welbilt The Bread Machine Manual

Phyllis L. Potts



Welbilt The Bread Machine Manual:

Bread Lover's Bread Machine Cookbook Beth Hensperger,2000-04-30 A master baker s 300 favourite recipes for perfect every time bread from every kind of machine by master breadmaker Beth Hensperger **Bread Machine Baking for Beginners** Beth Hensperger,2023-01-10 Bread Machine Baking for Beginners delivers complete fail proof instructions on how to use a bread machine along with amazing bread recipes **Bread Machine Cookbook** Donna Rathmell German,2005-09-01 This is a long awaited huge revision of the first best and by far the best selling cookbook with more than a million copies sold for automatic bread machines The Bread Machine Cookbook contains more recipes for more loaf sizes tested on more machines It also contains loads of updated information on newer bread machine models allergy sensitive baking and new answers for frequently asked questions about homemade bread If you only want one bread machine cookbook this is it *The Gluten-Free Gourmet Bakes Bread* Bette Hagman,2000-10-01 A breakthrough bread book by the unchallenged expert in gluten free and wheat free cooking In Bette Hagman s three earlier cookbooks she worked with gluten free flours that are safe for celiacs those who are intolerant to gluten and for those with wheat allergies to create recipes that actually taste good Knowing from her own hard won experience that bread is the greatest loss for the wheat oats rye or barley intolerant she has experimented with exciting new bean based flours and now devotes an entire book to breads Here are yeast breads yeast free breads muffins rolls buns breakfast breads and crackers a veritable cornucopia to be made in the oven or the bread machine for people who cannot buy breads at a bakery or supermarket but must rely on their own kitchens to provide the staff of life Along with dozens of great recipes comes a medical foreword by Peter H R Green M D of the College of Physicians and Surgeons of Columbia University a beginner s guide to understanding and cooking with gluten free flours answers to commonly asked questions about baking with these flours and a source list of where to buy gluten free baking supplies *The Gluten Free Gourmet Bakes Bread* joins Hagman s three previous books each recognized as the best in this special diet category *The Ladies' Home Journal* Edward William Bok,1993 *Gluten-Free 101* Carol Fenster,2014-01-08 The must have guide to cooking and eating gluten free [The Bread Machine Cookbook VI](#) Donna Rathmell German,1995-11 This sixth book in the series taps the creativity of the cook as well as the reliability of the bread machine and makes possible an almost endless variety of breads Directions with illustrations are given for shaping breads Information is given about ingredients including sources for special grains herbs and spices Special instructions for using the bread machine help the reader to get perfect results every time [The Complete Guide To Wheat-Free Cooking](#) Phyllis L. Potts,1998-11 More than a collection of delicious recipes *The Complete Guide to Wheat Free Cooking* celebrates the joys of eating well Author Phyllis Potts chose treasured family recipes good old fashioned comfort food and modified them for people like herself who can t eat wheat As an insider she has valuable insights into what it takes to succeed at making a dramatic diet change She shows readers how to reproduce the textures and flavors of breads and pastries using non wheat flours

made from rice garbanzo beans and corn She also teaches creativity in working with substitutions for those with multiple food allergies and speaks to general concerns such as using bread machines and storing leftovers Let s awaken our individual and collective spiritual obligation to our planet and its creatures *My Bread Fusion* Elmer Demerin,2018-02-19 This book is content of different varieties of bread preparation It has been organized properly in order to achive your need when choosing a variation of bread products [Entrees from Your Bread Machine](#) Donna Rathmell German,2001-03 With the help of this book you can create dishes for every meal with your bread machine *Science Scope* ,2002 **Bread Machine Bounty** Better Homes and Gardens,1992 Contains more than 100 recipes for making bread in a machine [Peter McWilliams' Personal Electronics Book](#) Peter McWilliams,1989 **I'm Listening** Pam Mycoskie,2009-11-29 In I m Listening Pam Mycoskie teaches readers her tricks and ideas to make low fat eating fun easy and tasty She covers exercise food and nutrition and includes a range of different recipes **The Best Breads** Robert Wanless,American Cooking Guild,1994-09 **The Gluten-free Gourmet Cooks Fast and Healthy** Bette Hagman,2000-06-01 The Gluten Free Gourmet Cooks Fast and Healthy is the perfect cookbook for those who must put together a gluten free meal at the of the long working day From the author of The Gluten free Gourmet 2nd edition here are more than 275 recipes for gluten free pasta baking and soup mixes that are as easy to use as anything from the grocery store With new bean flours to add to the other gluten free flours there are also fantastic recipes for gluten free breads cakes cookies pies and pastries and other desserts Complete with frequently asked questions about Celiac Disease The Gluten Free Gourmet Cooks Fast and Healthy is a helpful resource for cooks mindful of dietary restrictions **Commodity Classification Under the Harmonized System** ,1990 **Consumers Index to Product Evaluations and Information Sources** ,1997 [Consumers Index to Product Evaluations and Information Sources](#) Pierian Press,1995-03 **Robert D. Fisher Manual of Valuable and Worthless Securities** Robert Denton Fisher,1938

Eventually, you will definitely discover a extra experience and expertise by spending more cash. nevertheless when? attain you recognize that you require to acquire those all needs like having significantly cash? Why dont you try to acquire something basic in the beginning? Thats something that will lead you to comprehend even more approaching the globe, experience, some places, with history, amusement, and a lot more?

It is your unconditionally own time to ham it up reviewing habit. accompanied by guides you could enjoy now is **Welbilt The Bread Machine Manual** below.

http://www.frostbox.com/files/detail/HomePages/Une_Nouvelle_Vie_Le_Prix_Du_Pardon.pdf

Table of Contents Welbilt The Bread Machine Manual

1. Understanding the eBook Welbilt The Bread Machine Manual
 - The Rise of Digital Reading Welbilt The Bread Machine Manual
 - Advantages of eBooks Over Traditional Books
2. Identifying Welbilt The Bread Machine Manual
 - Exploring Different Genres
 - Considering Fiction vs. Non-Fiction
 - Determining Your Reading Goals
3. Choosing the Right eBook Platform
 - Popular eBook Platforms
 - Features to Look for in an Welbilt The Bread Machine Manual
 - User-Friendly Interface
4. Exploring eBook Recommendations from Welbilt The Bread Machine Manual
 - Personalized Recommendations
 - Welbilt The Bread Machine Manual User Reviews and Ratings
 - Welbilt The Bread Machine Manual and Bestseller Lists
5. Accessing Welbilt The Bread Machine Manual Free and Paid eBooks

- Welbilt The Bread Machine Manual Public Domain eBooks
 - Welbilt The Bread Machine Manual eBook Subscription Services
 - Welbilt The Bread Machine Manual Budget-Friendly Options
6. Navigating Welbilt The Bread Machine Manual eBook Formats
 - ePub, PDF, MOBI, and More
 - Welbilt The Bread Machine Manual Compatibility with Devices
 - Welbilt The Bread Machine Manual Enhanced eBook Features
 7. Enhancing Your Reading Experience
 - Adjustable Fonts and Text Sizes of Welbilt The Bread Machine Manual
 - Highlighting and Note-Taking Welbilt The Bread Machine Manual
 - Interactive Elements Welbilt The Bread Machine Manual
 8. Staying Engaged with Welbilt The Bread Machine Manual
 - Joining Online Reading Communities
 - Participating in Virtual Book Clubs
 - Following Authors and Publishers Welbilt The Bread Machine Manual
 9. Balancing eBooks and Physical Books Welbilt The Bread Machine Manual
 - Benefits of a Digital Library
 - Creating a Diverse Reading Collection Welbilt The Bread Machine Manual
 10. Overcoming Reading Challenges
 - Dealing with Digital Eye Strain
 - Minimizing Distractions
 - Managing Screen Time
 11. Cultivating a Reading Routine Welbilt The Bread Machine Manual
 - Setting Reading Goals Welbilt The Bread Machine Manual
 - Carving Out Dedicated Reading Time
 12. Sourcing Reliable Information of Welbilt The Bread Machine Manual
 - Fact-Checking eBook Content of Welbilt The Bread Machine Manual
 - Distinguishing Credible Sources
 13. Promoting Lifelong Learning
 - Utilizing eBooks for Skill Development

- Exploring Educational eBooks
14. Embracing eBook Trends
- Integration of Multimedia Elements
 - Interactive and Gamified eBooks

Welbilt The Bread Machine Manual Introduction

In today's digital age, the availability of Welbilt The Bread Machine Manual books and manuals for download has revolutionized the way we access information. Gone are the days of physically flipping through pages and carrying heavy textbooks or manuals. With just a few clicks, we can now access a wealth of knowledge from the comfort of our own homes or on the go. This article will explore the advantages of Welbilt The Bread Machine Manual books and manuals for download, along with some popular platforms that offer these resources. One of the significant advantages of Welbilt The Bread Machine Manual books and manuals for download is the cost-saving aspect. Traditional books and manuals can be costly, especially if you need to purchase several of them for educational or professional purposes. By accessing Welbilt The Bread Machine Manual versions, you eliminate the need to spend money on physical copies. This not only saves you money but also reduces the environmental impact associated with book production and transportation. Furthermore, Welbilt The Bread Machine Manual books and manuals for download are incredibly convenient. With just a computer or smartphone and an internet connection, you can access a vast library of resources on any subject imaginable. Whether you're a student looking for textbooks, a professional seeking industry-specific manuals, or someone interested in self-improvement, these digital resources provide an efficient and accessible means of acquiring knowledge. Moreover, PDF books and manuals offer a range of benefits compared to other digital formats. PDF files are designed to retain their formatting regardless of the device used to open them. This ensures that the content appears exactly as intended by the author, with no loss of formatting or missing graphics. Additionally, PDF files can be easily annotated, bookmarked, and searched for specific terms, making them highly practical for studying or referencing. When it comes to accessing Welbilt The Bread Machine Manual books and manuals, several platforms offer an extensive collection of resources. One such platform is Project Gutenberg, a nonprofit organization that provides over 60,000 free eBooks. These books are primarily in the public domain, meaning they can be freely distributed and downloaded. Project Gutenberg offers a wide range of classic literature, making it an excellent resource for literature enthusiasts. Another popular platform for Welbilt The Bread Machine Manual books and manuals is Open Library. Open Library is an initiative of the Internet Archive, a non-profit organization dedicated to digitizing cultural artifacts and making them accessible to the public. Open Library hosts millions of books, including both public domain works and contemporary titles. It also allows users to borrow digital copies of certain books for a limited period, similar to a library.

lending system. Additionally, many universities and educational institutions have their own digital libraries that provide free access to PDF books and manuals. These libraries often offer academic texts, research papers, and technical manuals, making them invaluable resources for students and researchers. Some notable examples include MIT OpenCourseWare, which offers free access to course materials from the Massachusetts Institute of Technology, and the Digital Public Library of America, which provides a vast collection of digitized books and historical documents. In conclusion, Welbilt The Bread Machine Manual books and manuals for download have transformed the way we access information. They provide a cost-effective and convenient means of acquiring knowledge, offering the ability to access a vast library of resources at our fingertips. With platforms like Project Gutenberg, Open Library, and various digital libraries offered by educational institutions, we have access to an ever-expanding collection of books and manuals. Whether for educational, professional, or personal purposes, these digital resources serve as valuable tools for continuous learning and self-improvement. So why not take advantage of the vast world of Welbilt The Bread Machine Manual books and manuals for download and embark on your journey of knowledge?

FAQs About Welbilt The Bread Machine Manual Books

1. Where can I buy Welbilt The Bread Machine Manual books? Bookstores: Physical bookstores like Barnes & Noble, Waterstones, and independent local stores. Online Retailers: Amazon, Book Depository, and various online bookstores offer a wide range of books in physical and digital formats.
2. What are the different book formats available? Hardcover: Sturdy and durable, usually more expensive. Paperback: Cheaper, lighter, and more portable than hardcovers. E-books: Digital books available for e-readers like Kindle or software like Apple Books, Kindle, and Google Play Books.
3. How do I choose a Welbilt The Bread Machine Manual book to read? Genres: Consider the genre you enjoy (fiction, non-fiction, mystery, sci-fi, etc.). Recommendations: Ask friends, join book clubs, or explore online reviews and recommendations. Author: If you like a particular author, you might enjoy more of their work.
4. How do I take care of Welbilt The Bread Machine Manual books? Storage: Keep them away from direct sunlight and in a dry environment. Handling: Avoid folding pages, use bookmarks, and handle them with clean hands. Cleaning: Gently dust the covers and pages occasionally.
5. Can I borrow books without buying them? Public Libraries: Local libraries offer a wide range of books for borrowing. Book Swaps: Community book exchanges or online platforms where people exchange books.

6. How can I track my reading progress or manage my book collection? Book Tracking Apps: Goodreads, LibraryThing, and Book Catalogue are popular apps for tracking your reading progress and managing book collections. Spreadsheets: You can create your own spreadsheet to track books read, ratings, and other details.
7. What are Welbilt The Bread Machine Manual audiobooks, and where can I find them? Audiobooks: Audio recordings of books, perfect for listening while commuting or multitasking. Platforms: Audible, LibriVox, and Google Play Books offer a wide selection of audiobooks.
8. How do I support authors or the book industry? Buy Books: Purchase books from authors or independent bookstores. Reviews: Leave reviews on platforms like Goodreads or Amazon. Promotion: Share your favorite books on social media or recommend them to friends.
9. Are there book clubs or reading communities I can join? Local Clubs: Check for local book clubs in libraries or community centers. Online Communities: Platforms like Goodreads have virtual book clubs and discussion groups.
10. Can I read Welbilt The Bread Machine Manual books for free? Public Domain Books: Many classic books are available for free as they're in the public domain. Free E-books: Some websites offer free e-books legally, like Project Gutenberg or Open Library.

Find Welbilt The Bread Machine Manual :

une nouvelle vie le prix du pardon

une societeacute sous surveillance les intellectuels et la stasi

uncle montagues tales of terror tales of terror 1 chris priestley

uncertain light english edition

unfortunate son sons book 1

une vie sans enfance sans justice lenfance

uncharted guide for ps3

under my skin under my skin 1 ml rhodes

understanding patient financial services

understanding pathophysiology 5th edition study guide answers

understanding intercultural communication ting toomey

under the same sky the macdonnells 1 genevieve graham

undermount drawer guide

under every stone a collection of short stories
unidad 3 leccion 2 gramatica a answers

Welbilt The Bread Machine Manual :

introduction to management science bernard w taylor - Mar 31 2023

web for undergraduate courses in management science a logical step by step approach to complex problem solving using simple straightforward examples to present complex mathematical concepts introduction to management science gives students a strong foundation in how to logically approach decision making problems

introduction to management science 9th edition quizlet - Apr 19 2022

web now with expert verified solutions from introduction to management science 9th edition you ll learn how to solve your toughest homework problems our resource for introduction to management science includes answers to chapter exercises as well as detailed information to walk you through the process step by step

introduction to management science global edition taylor iii bernard - Nov 26 2022

web feb 26 2019 introduction to management science gives students a strong foundation in how to make decisions and solve complex problems using both quantitative methods and software tools in addition to extensive examples problem sets and cases the 13th edition incorporates excel 2016 and other software resources developing students ability to

introduction to management science taylor bernard w free - Sep 05 2023

web introduction to management science bookreader item preview introduction to management science by taylor bernard w publication date 1990 topics management science publisher boston allyn and bacon collection printdisabled internetarchivebooks contributor internet archive language

introduction to management science 7th edition taylor bernard - Jun 21 2022

web jan 1 2001 pearson education revised textbook for undergraduates studying management science features new topics and sections including one on model development and excel spreadsheets the cd rom features programs for use with the exercises in the text system requirements not listed previous edition c1999 dlc

introduction to management science by bernard w taylor - May 21 2022

web dec 3 2020 introduction to management science by bernard w taylor open library preview want to read 2 more small commission overview view 14 editions details

introduction to management science 12th edition taylor iii bernard - Aug 04 2023

web jan 3 2015 introduction to management science 12th edition taylor iii bernard w on amazon com free shipping on qualifying offers

introduction to management science bernard w taylor iii - Oct 26 2022

web a logical step by step approach to complex problem solving using simple straightforward examples to present complex mathematical concepts introduction to management science gives students

introduction to management science what s new in operations - Aug 24 2022

web introduction to management science what s new in operations management by bernard taylor isbn 10 0134730666 isbn 13 9780134730660 pearson 2018 hardcover

introduction to management science bernard w taylor - Jul 03 2023

web introduction to management science shows students how to approach decision making problems in a straightforward logical way by focusing on simple straightforward explanations and examples

introduction to management science bernard w taylor - Feb 27 2023

web bernard w taylor prentice hall 1996 management science 902 pages this introduction to the often mathematically rigorous techniques and applications of management science is

introduction to management science bernard w taylor - Sep 24 2022

web bernard w taylor prentice hall 2010 management science 813 pages introduction to management science shows readers how to approach decision making problems in a

introduction to management science bernard w taylor - May 01 2023

web this widely adopted text presents an accessible introduction to the techniques and applications of management science this text science is designed to make the subject easy to understand

introduction to management science taylor iii bernard w - Feb 15 2022

web a logical step by step approach to complex problem solving using simple straightforward examples to present complex mathematical concepts introduction to management science gives students a strong foundation in how

introduction to management science by bernard w taylor - Mar 19 2022

web dec 4 2022 import existing book december 15 2009 edited by workbot link works december 19 2008 created by importbot imported from talis marc record introduction to management science by bernard w taylor 1990 allyn bacon edition in english

introduction to management science pearson - Oct 06 2023

web jan 31 2022 introduction to management science 13th edition published by pearson january 31 2022 2019 bernard w taylor virginia politechnic institute and state university

introduction to management science bernard w taylor - Jun 02 2023

web prentice hall 2004 management science 761 pages this best selling introduction to the techniques and applications of

management science is designed to make the subject easy to

introduction to management science global edition - Dec 28 2022

web the content would be changed according to the role introduction to management science global edition 13th edition published by pearson december 5 2018 2019 bernard w taylorvirginia politechnic institute and state university etextbook

introduction to management science global edition open library - Jan 29 2023

web jul 8 2023 imported from better world books record introduction to management science global edition by bernard w iii taylor 2019 pearson higher education professional group edition in english

introduction to management science what s new in operations management - Jul 23 2022

web jan 2 2018 introduction to management science what s new in operations management bernard taylor on amazon com free shipping on qualifying offers introduction to management science what s new in operations management

geographica der grosse weltatlas mit landerlexiko pdf - Jun 13 2023

web der grosse weltatlas jan 02 2023 der grosse weltatlas sep 29 2022 reich illustrierter weltatlas der kontinente und ihrer länder regionen mit detaillierter physikalischer karte sowie text bild infos über landeskundliche und kulturelle

besonderheiten pro land auf der cd rom karten der länder zum heranzoomen und statistiken sowie

das größte land der welt welches ist es andere sehr große - Jul 02 2022

web das größte land der welt ist mit abstand russland mit einer fläche von 17 1 millionen km² es folgen in dieser reihenfolge kanada die usa und china dies drei staaten haben alle zwischen 9 5 millionen und 10 millionen quadratkilometer sie

unterscheiden sich alle in der gröÙe kaum auf der liste der größten länder der welt folgen

geographica der grosse weltatlas mit landerlexiko pdf - Aug 03 2022

web aug 1 2023 most less latency time to download any of our books gone this one merely said the geographica der grosse weltatlas mit landerlexiko pdf is universally compatible taking into account any devices to read petermann s maps johannes

smits 2004 petermann s maps focuses on the maps published in the famous german journal

geographica der große weltatlas mit länderlexikon abebooks - May 12 2023

web geographica der große weltatlas mit länderlexikon bei abebooks de isbn 10 383311259x isbn 13 9783833112591 hardcover

free geographica der grosse weltatlas mit landerlexiko - Nov 06 2022

web geographica der grosse weltatlas mit landerlexiko der große weltatlas mar 25 2022 der große weltatlas aug 18 2021 der grosse weltatlas sep 30 2022 der grosse weltatlas dec 10 2020 small business health care problems and long term care nov

20 2021 der grosse weltatlas jul 05 2020 der grosse welt atlas apr 06 2023

geographica der große weltatlas mit länderlexikon by penny - Oct 05 2022

web geographica der grosse weltatlas mit landerlexikon koneman 1999 albanien im uberblick einwohner 2005 geschätzt 3 591 000 religionen muslimen 70 albanisch orthodoxe 20 katholiken 10 bevölkerung albaner 95 griechen 3 sonstige 2
top 20 der größten länder der welt slf - Jun 01 2022

web nach fläche das größte land der welt ist russland gefolgt von kanada usa und china die gröÙe der länder wurde anhand der fläche in quadratkilometern gemessen deutschland ist mit 357 376 km² das 63 größte land der welt das kleinste land der welt ist der vatikan mit 44 hektar also 0 44 km²

geographica der grosse weltatlas mit landerlexiko pdf - Jan 28 2022

web jul 5 2023 computer geographica der grosse weltatlas mit landerlexiko is manageable in our digital library an online permission to it is set as public as a result you can download it instantly our digital library saves in combination countries allowing you to acquire the most less latency era to download any of our books with this one merely

geographica der große weltatlas mit länderlexikon by gordon - Apr 11 2023

web jun 27 2023 geographica der grosse weltatlas mit landerlexikon geographical gerontology perspectives concepts approaches routledge studies in human geography geographie grundkurs leistungskurs schwerpunktthemen nrw 2015 2016 geographie in

geographica der grosse weltatlas mit landerlexiko jan dlugosz - Jan 08 2023

web right here we have countless book geographica der grosse weltatlas mit landerlexiko and collections to check out we additionally meet the expense of variant types and furthermore type of the books to browse

die 10 größten länder der welt skyscanner deutschland - Apr 30 2022

web may 5 2020 wir haben uns für euch die 10 größten länder der welt angeguckt wenn man euch nach den größten ländern der welt fragen würde was käme euch da in den sinn die usa vielleicht russland oder china beim rest wird s schon schwieriger oder hier haben wir die zehn größten länder der welt im countdown

geographicadergrosseweltatlasmitlanderlexi - Dec 07 2022

web geographica der grosse weltatlas mit landerlexiko 2 7 downloaded from kelliemay com on january 10 2023 by guest toward mountains people living in mountain regions and their livelihoods and interactions within dynamic geographica der grosse weltatlas mit landerlexiko staging apr 22 2022 geographica der grosse weltatlas mit

geographica weltatlas mit länderlexikon amazon de bücher - Aug 15 2023

web thematische karten zu vegetation klima energie und bevölkerung sowie erdbeben und vulkanen werden ergänzt durch einleitende texte über den ursprung des universums die struktur des sonnensystems sowie die entstehung der erde und ihrer kontinente

geographica der grosse weltatlas mit landerlexiko - Jul 14 2023

web geographica der grosse weltatlas mit landerlexiko merely said the geographica der grosse weltatlas mit landerlexiko is universally compatible in the same way as any devices to read geography the media and popular culture jacquelin burgess 2015 12 22 in this book originally published in 1985 british and north american

geographica der grosse weltatlas mit landerlexiko book - Feb 09 2023

web der grosse weltatlas der tiere may 04 2021 dieser prachtvolle bildband ist ein umfassender führer durch die gesamte tierwelt vom primitiven einzeller bis zu den höchstentwickelten säugetieren

geographica der große weltatlas mit länderlexikon by gordon - Mar 10 2023

web jun 26 2023 naveo neobjektivne izvore evo podaci iz velikog atlasa geographica der grosse weltatlas mit landerlexikon konemann 1999 str 263 albanien im uberblick amtssprache albanisch weitere sprachen griechisch makedonisch religionen muslimen 70 albanisch orthodoxe 20 katholiken 10

geographica der große weltatlas mit länderlexikon by gordon - Sep 04 2022

web geographica der große weltatlas mit länderlexikon by gordon cheers secure4 khronos org keywords welt lexikon gebraucht kaufen nur noch 3 st bis 60 oteto kosovo page 22 politika forum b92 digital resources find digital datasheets resources editions of geografica de grote wereldatlas met vesti iz regiona page 103 kosovo forum

geographica der grosse weltatlas mit landerlexiko pdf - Feb 26 2022

web jun 6 2023 geographica der grosse weltatlas mit landerlexiko 1 9 downloaded from uniport edu ng on june 6 2023 by guest geographica der grosse weltatlas mit geographica der grosse weltatlas mit landerlexiko 2 9 downloaded from uniport edu ng on june 6 2023 by guest one s way with a map is a relatively recent phenomenon in

geographica der grosse weltatlas mit landerlexiko uniport edu - Mar 30 2022

web jul 28 2023 geographica der grosse weltatlas mit landerlexiko 2 6 downloaded from uniport edu ng on july 28 2023 by guest cantemir s manuscript included a map reproduced in the present edition the first real map of the country containing geographical detail the book provides a wealth of information about the country s natural

geographica der grosse weltatlas mit landerlexiko copy - Dec 27 2021

web apr 30 2023 geographica der grosse weltatlas mit landerlexiko 2 9 downloaded from uniport edu ng on april 30 2023 by guest atlas of the world george philip son 1998 hailed as extraordinary new york times when it debuted the atlas of the world has now undergone its most significant revision ever with sixteen added pages of

fodor s the carolinas georgia 18th edition paperback - Apr 11 2023

web fodor s the carolinas georgia 18th edition travel guide 18 band 18 fodor s amazon de books skip to main content de hello select your address all select the

fodors the carolinas georgia 18th edition powell s books - Nov 06 2022

web buy fodor s the carolinas georgia 19th edition by fodor travel publications isbn 9781400005246 from amazon s book store free uk delivery on eligible orders

fodor s the carolinas georgia full color travel guide - Oct 05 2022

web nov 8 2021 fodor s the carolinas georgia guidebook is packed with maps carefully curated recommendations and everything else you need to simplify your trip planning

fodor s the carolinas georgia goodreads - Jun 01 2022

web customize your trip with simple planning tools convenient overview of each region and its highlights top experiences and attractions easy to read color regional maps explore

fodor s the carolinas georgia fodor s travel guides - Jan 28 2022

web fodor s the carolinas and georgia fodor s travel publications inc staff 2011 describes points of interest in each state recommends restaurants and hotels and

fodor s the carolinas georgia 18th edition travel guide 18 - Feb 09 2023

web fodor s the carolinas georgia 18th edition travel guide by fodor s and a great selection of related books art and collectibles available now at abebooks com

fodor s the carolinas georgia fodor s travel guide google - Apr 30 2022

web written by locals fodor s travel guides have been offering expert advice for all tastes and budgets for 80 years filled with color photos as stunning as the region itself fodor s

fodor s the carolinas georgia full color travel guide - Mar 10 2023

web apr 14 2015 this travel guide includes dozens of full color maps hundreds of hotel and restaurant recommendations with fodor s choice designating our top picks

georgia travel guide expert picks for your vacation fodor s - Dec 27 2021

web fodor s the carolinas georgia fodor s travel publications inc editor explore atlanta charleston the outer banks and beyond discerning fodor s choice picks for

fodor s the carolinas georgia 17th edition travel - Aug 03 2022

web nov 9 2021 fodor s the carolinas georgia guidebook is packed with maps carefully curated recommendations and everything else you need to simplify your trip planning

fodor s the carolinas georgia full color travel guide - Jul 14 2023

web apr 30 2013 competitive advantage fodor s the carolinas and georgia the only comprehensive full color guide to north carolina south carolina and georgia is the

carolinas georgia 18th by fodors abebooks - Dec 07 2022

web fodor s the carolinas georgia guidebook is packed with maps carefully curated recommendations and everything else you need to simplify your trip planning process

fodor s the carolinas georgia 19th edition fodor travel - Sep 04 2022

web jan 1 2022 this brand new edition has an easy to read layout fresh information and beautiful color photos fodor s the carolinas georgia travel guide planning on

fodor s the carolinas georgia goodreads - Sep 23 2021

fodor s the carolinas georgia 18th edition travel - Aug 15 2023

web mar 3 2009 fodor s the carolinas georgia 18th edition travel guide paperback folded map march 3 2009

fodor s the carolinas georgia 18th edition fodor travel - Mar 30 2022

web get information on georgia travel guide expert picks for your vacation hotels restaurants entertainment shopping sightseeing and activities read the fodor s

fodor s the carolinas georgia full color travel guide - Jan 08 2023

web fodors the carolinas georgia 18th edition by fodors available in trade paperback on powells com also read synopsis and reviews experience the carolinas and georgia

fodor s the carolinas georgia full color travel guide - Jun 13 2023

web abebooks com fodor s the carolinas georgia 18th edition travel guide 9781400008087 by fodor s and a great selection of similar new used and collectible

fodor s the carolinas and georgia fodor s travel publications - Feb 26 2022

web fodor s the carolinas georgia guidebook is packed with maps carefully curated recommendations and everything else you need to simplify your trip planning process

fodor s the carolinas georgia fodor s travel guide - Nov 25 2021

fodor s the carolinas georgia 18th edition travel guide - May 12 2023

web buy fodor s the carolinas georgia 18th edition 18 by fodor travel publications isbn 9781400008087 from amazon s book store everyday low prices and free

fodor s the carolinas georgia by fodor s travel publications - Jul 02 2022

web fodor s the carolinas georgia 18th edition fodor travel publications amazon com au books

fodor s the carolinas georgia 18th edition travel wilma a - Oct 25 2021

