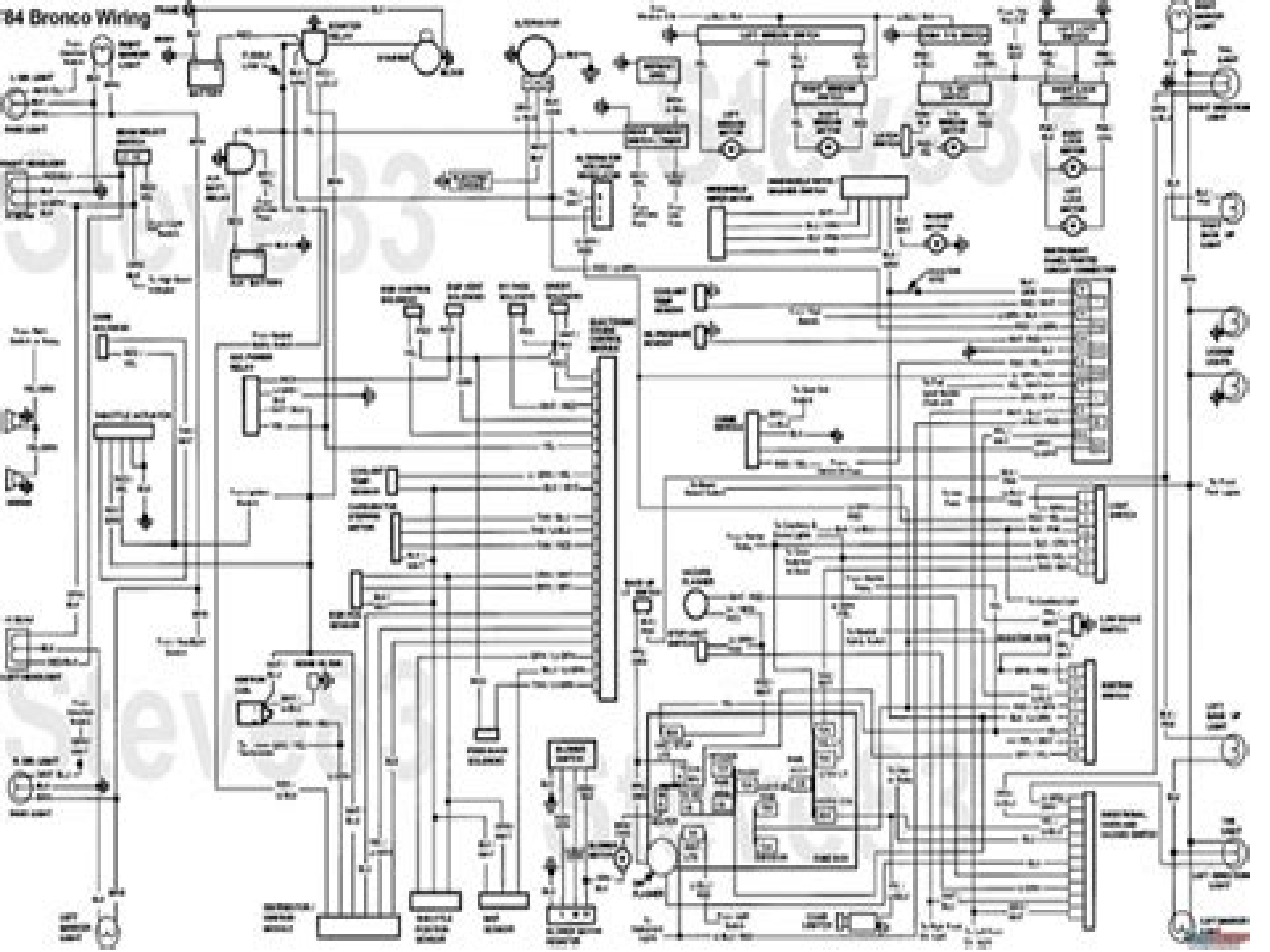


84 Bronco Wiring



Wiring Diagram 1999 Mastercraft

Lauren Gardner



Wiring Diagram 1999 Mastercraft:

Whispering the Secrets of Language: An Emotional Journey through **Wiring Diagram 1999 Mastercraft**

In a digitally-driven earth where displays reign great and instant transmission drowns out the subtleties of language, the profound secrets and mental subtleties hidden within words often move unheard. Yet, located within the pages of **Wiring Diagram 1999 Mastercraft** a interesting literary treasure pulsing with raw emotions, lies an exceptional quest waiting to be undertaken. Penned by an experienced wordsmith, that marvelous opus invites readers on an introspective trip, delicately unraveling the veiled truths and profound impact resonating within ab muscles cloth of every word. Within the emotional depths with this touching review, we will embark upon a honest exploration of the book is core themes, dissect their interesting writing design, and yield to the powerful resonance it evokes deep within the recesses of readers hearts.

http://www.frostbox.com/About/browse/default.aspx/toyota_tazz_bigend_torq_specs.pdf

Table of Contents Wiring Diagram 1999 Mastercraft

1. Understanding the eBook Wiring Diagram 1999 Mastercraft
 - The Rise of Digital Reading Wiring Diagram 1999 Mastercraft
 - Advantages of eBooks Over Traditional Books
2. Identifying Wiring Diagram 1999 Mastercraft
 - Exploring Different Genres
 - Considering Fiction vs. Non-Fiction
 - Determining Your Reading Goals
3. Choosing the Right eBook Platform
 - Popular eBook Platforms
 - Features to Look for in an Wiring Diagram 1999 Mastercraft
 - User-Friendly Interface
4. Exploring eBook Recommendations from Wiring Diagram 1999 Mastercraft
 - Personalized Recommendations
 - Wiring Diagram 1999 Mastercraft User Reviews and Ratings

- Wiring Diagram 1999 Mastercraft and Bestseller Lists
- 5. Accessing Wiring Diagram 1999 Mastercraft Free and Paid eBooks
 - Wiring Diagram 1999 Mastercraft Public Domain eBooks
 - Wiring Diagram 1999 Mastercraft eBook Subscription Services
 - Wiring Diagram 1999 Mastercraft Budget-Friendly Options
- 6. Navigating Wiring Diagram 1999 Mastercraft eBook Formats
 - ePub, PDF, MOBI, and More
 - Wiring Diagram 1999 Mastercraft Compatibility with Devices
 - Wiring Diagram 1999 Mastercraft Enhanced eBook Features
- 7. Enhancing Your Reading Experience
 - Adjustable Fonts and Text Sizes of Wiring Diagram 1999 Mastercraft
 - Highlighting and Note-Taking Wiring Diagram 1999 Mastercraft
 - Interactive Elements Wiring Diagram 1999 Mastercraft
- 8. Staying Engaged with Wiring Diagram 1999 Mastercraft
 - Joining Online Reading Communities
 - Participating in Virtual Book Clubs
 - Following Authors and Publishers Wiring Diagram 1999 Mastercraft
- 9. Balancing eBooks and Physical Books Wiring Diagram 1999 Mastercraft
 - Benefits of a Digital Library
 - Creating a Diverse Reading Collection Wiring Diagram 1999 Mastercraft
- 10. Overcoming Reading Challenges
 - Dealing with Digital Eye Strain
 - Minimizing Distractions
 - Managing Screen Time
- 11. Cultivating a Reading Routine Wiring Diagram 1999 Mastercraft
 - Setting Reading Goals Wiring Diagram 1999 Mastercraft
 - Carving Out Dedicated Reading Time
- 12. Sourcing Reliable Information of Wiring Diagram 1999 Mastercraft
 - Fact-Checking eBook Content of Wiring Diagram 1999 Mastercraft
 - Distinguishing Credible Sources

13. Promoting Lifelong Learning
 - Utilizing eBooks for Skill Development
 - Exploring Educational eBooks
14. Embracing eBook Trends
 - Integration of Multimedia Elements
 - Interactive and Gamified eBooks

Wiring Diagram 1999 Mastercraft Introduction

In today's digital age, the availability of Wiring Diagram 1999 Mastercraft books and manuals for download has revolutionized the way we access information. Gone are the days of physically flipping through pages and carrying heavy textbooks or manuals. With just a few clicks, we can now access a wealth of knowledge from the comfort of our own homes or on the go. This article will explore the advantages of Wiring Diagram 1999 Mastercraft books and manuals for download, along with some popular platforms that offer these resources. One of the significant advantages of Wiring Diagram 1999 Mastercraft books and manuals for download is the cost-saving aspect. Traditional books and manuals can be costly, especially if you need to purchase several of them for educational or professional purposes. By accessing Wiring Diagram 1999 Mastercraft versions, you eliminate the need to spend money on physical copies. This not only saves you money but also reduces the environmental impact associated with book production and transportation. Furthermore, Wiring Diagram 1999 Mastercraft books and manuals for download are incredibly convenient. With just a computer or smartphone and an internet connection, you can access a vast library of resources on any subject imaginable. Whether you're a student looking for textbooks, a professional seeking industry-specific manuals, or someone interested in self-improvement, these digital resources provide an efficient and accessible means of acquiring knowledge. Moreover, PDF books and manuals offer a range of benefits compared to other digital formats. PDF files are designed to retain their formatting regardless of the device used to open them. This ensures that the content appears exactly as intended by the author, with no loss of formatting or missing graphics. Additionally, PDF files can be easily annotated, bookmarked, and searched for specific terms, making them highly practical for studying or referencing. When it comes to accessing Wiring Diagram 1999 Mastercraft books and manuals, several platforms offer an extensive collection of resources. One such platform is Project Gutenberg, a nonprofit organization that provides over 60,000 free eBooks. These books are primarily in the public domain, meaning they can be freely distributed and downloaded. Project Gutenberg offers a wide range of classic literature, making it an excellent resource for literature enthusiasts. Another popular platform for Wiring Diagram 1999 Mastercraft books and manuals is Open Library. Open Library is an initiative of the Internet Archive, a non-profit organization dedicated to digitizing cultural artifacts and making

them accessible to the public. Open Library hosts millions of books, including both public domain works and contemporary titles. It also allows users to borrow digital copies of certain books for a limited period, similar to a library lending system. Additionally, many universities and educational institutions have their own digital libraries that provide free access to PDF books and manuals. These libraries often offer academic texts, research papers, and technical manuals, making them invaluable resources for students and researchers. Some notable examples include MIT OpenCourseWare, which offers free access to course materials from the Massachusetts Institute of Technology, and the Digital Public Library of America, which provides a vast collection of digitized books and historical documents. In conclusion, Wiring Diagram 1999 Mastercraft books and manuals for download have transformed the way we access information. They provide a cost-effective and convenient means of acquiring knowledge, offering the ability to access a vast library of resources at our fingertips. With platforms like Project Gutenberg, Open Library, and various digital libraries offered by educational institutions, we have access to an ever-expanding collection of books and manuals. Whether for educational, professional, or personal purposes, these digital resources serve as valuable tools for continuous learning and self-improvement. So why not take advantage of the vast world of Wiring Diagram 1999 Mastercraft books and manuals for download and embark on your journey of knowledge?

FAQs About Wiring Diagram 1999 Mastercraft Books

How do I know which eBook platform is the best for me? Finding the best eBook platform depends on your reading preferences and device compatibility. Research different platforms, read user reviews, and explore their features before making a choice. Are free eBooks of good quality? Yes, many reputable platforms offer high-quality free eBooks, including classics and public domain works. However, make sure to verify the source to ensure the eBook credibility. Can I read eBooks without an eReader? Absolutely! Most eBook platforms offer webbased readers or mobile apps that allow you to read eBooks on your computer, tablet, or smartphone. How do I avoid digital eye strain while reading eBooks? To prevent digital eye strain, take regular breaks, adjust the font size and background color, and ensure proper lighting while reading eBooks. What the advantage of interactive eBooks? Interactive eBooks incorporate multimedia elements, quizzes, and activities, enhancing the reader engagement and providing a more immersive learning experience. Wiring Diagram 1999 Mastercraft is one of the best book in our library for free trial. We provide copy of Wiring Diagram 1999 Mastercraft in digital format, so the resources that you find are reliable. There are also many Ebooks of related with Wiring Diagram 1999 Mastercraft. Where to download Wiring Diagram 1999 Mastercraft online for free? Are you looking for Wiring Diagram 1999 Mastercraft PDF? This is definitely going to save you time and cash in something you should think about. If you trying to find then search around for online. Without a doubt there are numerous these available and many of them have the freedom. However without

doubt you receive whatever you purchase. An alternate way to get ideas is always to check another Wiring Diagram 1999 Mastercraft. This method for see exactly what may be included and adopt these ideas to your book. This site will almost certainly help you save time and effort, money and stress. If you are looking for free books then you really should consider finding to assist you try this. Several of Wiring Diagram 1999 Mastercraft are for sale to free while some are payable. If you arent sure if the books you would like to download works with for usage along with your computer, it is possible to download free trials. The free guides make it easy for someone to free access online library for download books to your device. You can get free download on free trial for lots of books categories. Our library is the biggest of these that have literally hundreds of thousands of different products categories represented. You will also see that there are specific sites catered to different product types or categories, brands or niches related with Wiring Diagram 1999 Mastercraft. So depending on what exactly you are searching, you will be able to choose e books to suit your own need. Need to access completely for Campbell Biology Seventh Edition book? Access Ebook without any digging. And by having access to our ebook online or by storing it on your computer, you have convenient answers with Wiring Diagram 1999 Mastercraft To get started finding Wiring Diagram 1999 Mastercraft, you are right to find our website which has a comprehensive collection of books online. Our library is the biggest of these that have literally hundreds of thousands of different products represented. You will also see that there are specific sites catered to different categories or niches related with Wiring Diagram 1999 Mastercraft So depending on what exactly you are searching, you will be able to choose ebook to suit your own need. Thank you for reading Wiring Diagram 1999 Mastercraft. Maybe you have knowledge that, people have search numerous times for their favorite readings like this Wiring Diagram 1999 Mastercraft, but end up in harmful downloads. Rather than reading a good book with a cup of coffee in the afternoon, instead they juggled with some harmful bugs inside their laptop. Wiring Diagram 1999 Mastercraft is available in our book collection an online access to it is set as public so you can download it instantly. Our digital library spans in multiple locations, allowing you to get the most less latency time to download any of our books like this one. Merely said, Wiring Diagram 1999 Mastercraft is universally compatible with any devices to read.

Find Wiring Diagram 1999 Mastercraft :

[toyota tazza bigend torq specs](#)

[toyota sienna power window wiring](#)

[toyota service manual fzj80 landcruiser](#)

[toyota radio 2pin wiring diagram](#)

toyota prado owner manual

[toyota yaris manual pt](#)

toyota yaris 2015 fuse guide

toyota land cruiser repair manual series 60

toyota sprinter carib manual

toyota ravrear hub assembly

toyota tacoma 4x4 manual transmission

toyota rav4 2002 manual

toyota starlet ep9workshop manual

toyota matrix automatic transmission problems

toyota tacoma 2009 owners manual

Wiring Diagram 1999 Mastercraft :

argument essay topics discursive essay topics academic - Apr 07 2022

web argument essay lessons the argument essay lesson can be used in a number of different ways a reading to highlight key arguments a writing where students use a blank outline to plan a writing and then compare with a model essay a guided writing where the tutor provides the completed outline and the students write an essay using these ideas

argumentative essay gcse english marked by teachers com - Nov 14 2022

web argumentative essay argumentative essay gcse english argumentative essay racism is natural and necessary for people and nations to maintain their identity and too much is made of it by liberal non racists racism is not natural and not necessary for people and nations to maintain their identity

writing the argumentative essay teacher made twinkl - Oct 01 2021

web what tips can i give my class about writing argumentative essays this resource writing the argumentative essay is a quick how to guide for writing an argumentative essay it briefly explains what an argumentative essay entails and includes pointers to keep in mind when writing an argumentative essay

how to write an essay for ks3 english students bbc bitesize - Feb 05 2022

web an essay needs to be well structured as well as answering the question in its title learn how to write an essay in this bitesize english video for ks3

argumentative writing balance techniques facts statistics - Mar 18 2023

web may 26 2022 using facts statistics and quotations argumentative discursive writing will be one of three tasks for you to choose between in section c of the exam there are certain techniques you will need to know in order for you to be able to effectively write a piece of argumentative discursive writing on your own

[english essay examples a level gcse and gce o level](#) - Dec 03 2021

web covers narrative argumentative and descriptive essays directed writing letters and speech perfect for a level gcse igcse and o level students equipped with practical tips and vocabulary words to enhance your writing unlock the secrets to academic excellence and elevate your success today

[creative writing igcse new curriculum sample argumentative essays](#) - Jun 09 2022

web nov 9 2021 the argumentative essay is a genre of writing that requires the student to investigate a topic collect generate and evaluate evidence and establish a position on the topic in a concise manner it differs from expository essay with regards to pre writing invention and research involved

how to build an argument bbc bitesize - Apr 19 2023

web learn how to write a clear and well supported argument the word argument suggests a disagreement but a written argument has nothing to do with conflict an argument should present a clear

argumentative writing guide gcse english language teachit - May 20 2023

web feb 21 2023 free a helpful summary of some of the key elements of argumentative writing which can be used to help students to analyse any example argument text includes prompt questions to help students to identify the use of examples evidence

what is an argumentative essay simple examples to guide you - Aug 11 2022

web nov 30 2022 an argumentative essay is a type of research paper that requires you to investigate a given topic or theme among other things we guide you through writing one with examples

20 easy and free argumentative essay examples for students - Jul 22 2023

web mar 10 2023 to start an argumentative essay example you need to write a brief and attractive introduction it is written to convince the reader and make them understand your point of view add body paragraphs after the introduction to support your thesis statement

[how to write an argumentative essay gcse fast service](#) - Nov 02 2021

web türk 24 september 2022 1902 puck cartoon illustrating the prospect of too many college degrees source library of congress a prospect of higher education loc gov accessed sep 26 2013 apply now how to write an argumentative essay gcse

[how to write a standout argumentative essay grammarly blog](#) - Jul 10 2022

web jun 2 2022 3 drafting write a rough draft of your essay it helps to include any data and direct quotes as early as possible especially with argumentative essays that often cite outside sources 4 revising polish your rough draft optimize word choice and restructure your arguments if necessary make sure your language is clear and appropriate for the

argumentative essays gce guide - Aug 23 2023

web general for argument include all valid points that are logical and emphasize on them all points must be in favour of your opinion and they should be your strongest points counter argument pick out your strongest counter arguments and state them be completely logical and honest when pointing the counter arguments

discursive writing discursive national 5 english revision bbc - Feb 17 2023

web firstly there are persuasive essays in which you can argue strongly either in favour of or against a given discussion alternatively there are argumentative essays

discursive writing higher english revision bbc - Jan 16 2023

web firstly there are persuasive essays in which you can argue strongly either in favour of or against a given discussion alternatively there are argumentative essays where you look at a

how to build an argument for ks3 english students bbc - Jan 04 2022

web when writing a well reasoned argument use a formal impersonal tone and consider all points of view learn how to build an argument in this bitesize english article for ks3

3 strong argumentative essay examples analyzed prepscholar - Jun 21 2023

web summary argumentative essay sample argumentative essays are persuasive essays that use facts and evidence to support their side of the argument most argumentative essays follow either the toulmin model or the rogerian model by reading good argumentative essay examples you can learn how to develop your essay and provide

the four main types of essay quick guide with examples - Mar 06 2022

web sep 4 2020 the four main types of essay quick guide with examples published on september 4 2020 by jack caulfield revised on july 23 2023 an essay is a focused piece of writing designed to inform or persuade there are many different types of essay but they are often defined in four categories argumentative expository narrative and

gcse how to structure an argument worksheet worksheet - Dec 15 2022

web help a handy reference sheet to help students to structure an argument especially useful in practising for the new gcse exam relates specifically to aqa paper 2 question 5 for more great resources to help children strengthen their essay writing skills check out our analytical verbs informational wiki

argumentative essay definition examples format studysmarter - Sep 12 2022

web the included sample argumentative essay is an abbreviated example of an asserted claim formatted into the aristotelian method a new mid range sofa costs between 1000 and 3000 1 most likely a person protects their investment by applying a stain guard but having a pet cat can pose its own threat

50 compelling argumentative essay topics thoughtco - May 08 2022

web sep 21 2023 updated on april 01 2020 an argumentative essay requires you to decide on a topic and take a position on

it you ll need to back up your viewpoint with well researched facts and information as well one of the hardest parts is deciding which topic to write about but there are plenty of ideas available to get you started

how to write an argumentative essay examples tips scribbr - Oct 13 2022

web jul 24 2020 example open argumentative essay prompt what is the greatest challenge facing young people today argumentative writing at college level at university the vast majority of essays or papers you write will involve some form of argumentation for example both rhetorical analysis and literary analysis essays involve making arguments

m tech biochemical engineering manipal university copy uniport edu - Apr 29 2022

web jul 24 2023 m tech biochemical engineering manipal university 2 9 downloaded from uniport edu ng on july 24 2023 by guest applying laws of mechanics standard notations are used throughout and important points are stressed all problems are solved systematically so that the correct method of answering is illustrated clearly care

higher education in india shiksha com - Mar 29 2022

web moved permanently redirecting to college manipal institute of technology 3225 course b tech in chemical engineering 172878

m tech in industrial biotechnology courses admissions 2023 manipal - Apr 10 2023

web may 31 2023 get the perfect start to your dream career by joining the institution of eminence manipal institute of technology offers m tech in industrial biotechnology get info on course eligibility criteria fees admissions exams placements etc

manipal entrance test met 2023 syllabus manipal academy - Jun 12 2023

web engineering mechanics strength of materials design of steel and concrete structures structural analysis geotechnical engineering foundation engineering surveying transportation engineering construction planning organization and management environmental engineering fluid mechanics water resources engineering concrete

mtech biochemical engineering manipal university - May 11 2023

web browse mtech biochemical engineering at manipal university india cookies help us deliver our services by using our services you agree to our use of cookies

b tech biomedical engineering at mit manipal offline course - Sep 03 2022

web mode full time duration 4 years bachelor of technology b tech in biomedical engineering is a four year full time undergraduate program recognized by aicte and offered by the manipal academy of higher education manipal

department of biotechnology mit manipal academy of higher - Feb 08 2023

web the department of biotechnology at mit manipal has core competencies in bioreaction and bioprocess engineering transport phenomena downstream processing modelling and simulation and bioreactor design

bachelor of technology b tech chemical engineering from manipal - May 31 2022

web round 1 round 2 round 3 round 4 round 5 round 6 round 7 manipal institute of technology met cutoff 2023 manipal institute of technology met cutoff 2023 for general category is listed below the overall cutoff for met is 39637 rank bachelor of technology b tech chemical engineering comparison

bachelor of technology b tech biomedical engineering from manipal - Jul 01 2022

web bachelor of technology b tech biomedical engineering from manipal institute of technology manipal manipal karnataka aicte nba estd 1957 manipal university manipal private naac grade a 75 questions answered ranked 4 for b tech by indiatoday 2023 21 more 292 reviews

m tech biochemical engineering manipal university pdf uniport edu - Oct 04 2022

web sep 10 2023 m tech biochemical engineering manipal university 2 8 downloaded from uniport edu ng on september 10 2023 by guest recycled contents catalysis and the environment r a van santen catalysts for renewable energy and chemicals the thermal conversion of biomass f janssen fuel cells j a r van veen catalytic

m tech in biomedical engineering courses admissions manipal - Sep 15 2023

web may 31 2023 manipal institute of technology offers m tech in biomedical engineering degree get info on course eligibility criteria fees admissions exams placements etc

b tech biotechnology manipal university jaipur - Aug 02 2022

web the engineering degree program b tech biotechnology prepares students for careers in healthcare industry and research in emerging areas including chemical biologicals pharmaceuticals cosmetics brewery biomaterials biomedical engineering water treatment biofuels and enzyme processing industries etc

m tech biochemical engineering manipal university - Feb 25 2022

web 2 m tech biochemical engineering manipal university 2022 10 08 m tech biochemical engineering manipal university downloaded from eagldemo2 eagltechnology com by guest houston laci the world of learning crc press this book focuses on the explainable artificial intelligence xai for healthcare providing a broad overview of

master of technology m tech chemical engineering from manipal - Mar 09 2023

web master of technology m tech chemical engineering from manipal institute of technology manipal manipal karnataka aicte nba estd 1957 manipal university manipal private naac grade a 75 questions answered ranked 4 for b tech by indiatoday 2023 21 more

department of biotechnology mit manipal academy of higher - Jan 27 2022

web mission to impart and disseminate knowledge develop competencies and to produce industry ready and academically enriched engineers for the emerging areas of applied biotechnology department areas of expertise bioinformatics bio

nanotechnology biopolymers bioreactor design biofuels and environmental biotechnology drug delivery

[btech chemical engineering course admission 2023 mit manipal](#) - Nov 05 2022

web get the perfect start to your dream career by joining the institution of eminence learn more about manipal mit s btech

chemical engineering get details on course duration admission 2023 eligibility fees etc

m tech in chemical engineering courses admissions manipal - Jul 13 2023

web may 31 2023 m tech in chemical engineering course outline highlights of m tech in chemical engineering new

curriculum 2023 include following demanding subjects a artificial intelligence machine learning b multiscale molecular

simulations c sustainable engineering d green processes

department of chemical engineering mit manipal academy of - Jan 07 2023

web the department of chemical engineering at mit offers b tech m tech and phd program in chemical engineering

department of chemical engineering mit manipal academy of higher education skip to main content login hub alumni portal

student portal campus email e prints information for prospective students current students parents alumini

btech biomedical engineering course admission 2023 mit manipal - Dec 06 2022

web learn more about manipal mit s btech biomedical engineering get details on course duration admission 2023 eligibility

fees etc

[department of biomedical engineering mit manipal](#) - Aug 14 2023

web m tech biomedical engineering m tech in bme offered by the biomedical engineering department provides a platform for

the graduate students to strengthen their foundations in biomedical engineering and gather a diversified exposure to the

latest know how in

data collection plan a key component of the intelligence cycle - Apr 03 2023

web jul 1 2020 data collection is a major step in the intelligence cycle as it involves gathering the information to be used in

other stages of the process and delivering the intelligence product to the relevant decision makers reliable and trustworthy

data can be obtained from a wide variety of sources osint open source intelligence webint

getting started college of policing - Apr 22 2022

web some may require the user to register or pay a small fee for example online news media academic research and the

electoral roll collection plans a key tool for analysts at the outset of any task is the collection plan these plans may be

structured in a table or spreadsheet collection plans provide a structure for collecting information

[optimize your security program with an intelligence collection plan](#) - Dec 31 2022

web commonly used in military law enforcement and intelligence agency arenas intelligence collection plans icps require

decision makers to task their teams with prioritizing and collecting a wide array of pertinent information within a specific

time frame that is continuously updated and evaluated in a law enforcement setting for example

types of intelligence collection intelligence studies libguides - Oct 29 2022

web oct 18 2023 the five disciplines of intelligence collection by mark m lowenthal editor editor robert m clark editor isbn 9781452217635 publication date 2015 01 14 request through ill ic21 intelligence community in the

intelligence collection requirements plan - Nov 29 2022

web intelligence management the art of influence intelligence collection requirements plan context global issue national issue priority warning issues threat matrix development information arising from these collection requirements will be fed into the agencies threat assessment matrix the attributes used in this assessment

pdf intelligence collection how to plan and execute intelligence - May 04 2023

web pdf on sep 1 2013 harry nimon published intelligence collection how to plan and execute intelligence collection in complex environments by wayne michael hall and gary citrenbaum santa

requirements planning direction intelligence studies - Jul 26 2022

web sep 15 2008 in library intelligence requirements for operations other than war by national park service nps created by bruce h guggenberger call number ub251 u6 g84 2000a isbn 9781249369271 publication date 2012 09 01 in library

intelligence requirements for the 1990 s by roy s godson call number ub251 u5 i56 1989 isbn

fm 34 2 chptr 3 the collection management process - May 24 2022

web an example of one collection planning problem cueing maximizes the efficient use of finite collection assets in support of multiple often competing intelligence collection priorities plan to create opportunities for cued collection as part of your strategy for example you plan to use a low level humint source 24 hours prior to uav

libguides intelligence studies the intelligence cycle - Feb 01 2023

web oct 18 2023 the cycle involves developing unrefined data into polished intelligence for the use of policymakers the cycles consists of six steps requirements planning direction collection processing analysis production dissemination and feedback the process is circular in nature but movement between the stages can be fluid

information collection plan and reconnaissance and security - Mar 22 2022

web doctrine gives us an example timeline for parallel planning efforts at the brigade level using the brigade planning process mapped to cavalry squadron actions and the planning timeline

fm 34 2 appendix a the collection plan federation of - Jun 05 2023

web the intelligence collection plan worksheet is a valuable aid in planning and directing the collection effort for many requirements particularly those concerned with enemy capabilities and vulnerabilities a written collection worksheet is advisable figure a 2 provides an example of a completed collection plan using sample entries

intelligence collection development and dissemination - Aug 07 2023

web 16 march 2015 latest changes written by college of policing intelligence management 5 mins read the collection development and dissemination of intelligence allow decisions to be made about priorities and tactical options intelligence collection is a continuous process and there may be specific requirements for its recording and use

intelligence collection plan wikipedia - Oct 09 2023

web an intelligence collection plan icp is the systematic process used by most modern armed forces and intelligence services to meet intelligence requirements through the tasking of all available resources to gather and provide pertinent information within a required time limit 1 creating a collection plan is part of the intelligence cycle

intelligence collection an overview sciencedirect topics - Sep 27 2022

web intelligence is information it is data or facts regarding current past or future events or associations intelligence collection can be thought of as a part of the follow up phase of investigation however in many cases intelligence is collected as an ongoing process not after a specific event one reason for collecting intelligence is to

an introduction to the intelligence cycle intelligence101 - Jun 24 2022

web dec 4 2016 the intelligence cycle is a process used by analysts to create intelligence the process allows the intelligence analysts to identifying the customers information requirements and develop an intelligence collection plan to collect the information required the raw information is then analyzed to provide meaning and assessments

intelligence collection plans preparation breeds success - Jul 06 2023

web apr 7 2022 a very simple example of the beginnings of an icp once the irs have been added the next stage of creating an icp is to consider the sources required to collect information to answer the irs it is crucial to consider internal sources first we need to know what we already know before looking further

intelligence collection management wikipedia - Aug 27 2022

web intelligence collection management is the process of managing and organizing the collection of intelligence from various sources discipline specialists and resource schedulers select the appropriate collection system and plan the mission taking into account the capabilities and limitations of collection platforms an example is

appendix d collection plan formats and instructions globalsecurity org - Sep 08 2023

web standard collection plan format with sample entries d 2 fm 34 7 determine potential indicators second determine what activities in or characteristics of the operational area will answer

optimize your security program with an intelligence collection plan - Mar 02 2023

web apr 16 2019 commonly used in military law enforcement and intelligence agency arenas intelligence collection plans icps require decision makers to task their teams with prioritizing and collecting a wide array of pertinent information within

a specific time frame that is continuously updated and evaluated in a law enforcement setting for example

the guiding of intelligence collection the world factbook - Feb 18 2022

web consumers and of collection mechanisms in the u s intelligence community i am using the term consumer in the broadest sense in order to avoid shades of distinction among the various stages of processing or intelligence production and the various policy making levels of consumption from the collector s standpoint the rest of us are