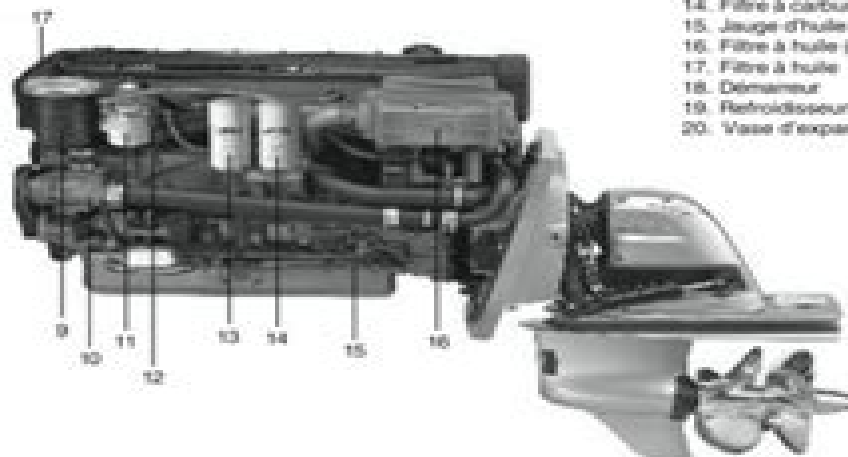


**D6-350A-A, D6-350A-B**

- 1. Anode sacrificielle
- 2. Prise d'eau de refroidissement
- 3. Anode sacrificielle
- 4. Turbocompresseur
- 5. Filtre de reniflard
- 6. Arrêt d'urgence
- 7. Filtre à air
- 8. Compresseur
- 9. Unité de commande EDC
- 10. Alternateur
- 11. Couvercle de remplissage d'huile
- 12. Filtre à eau de mer
- 13. Pompe à eau de mer
- 14. Filtre à carburant
- 15. Jauge d'huile
- 16. Filtre à huile (by-pass)
- 17. Filtre à huile
- 18. Démarreur
- 19. Refroidisseur d'air de suralimentation
- 20. Vase d'expansion



# Volvo D4 260 Manual Svenska

**JR Anderson**



**Volvo D4 260 Manual Svenska:**

Yeah, reviewing a books **Volvo D4 260 Manual Svenska** could add your near links listings. This is just one of the solutions for you to be successful. As understood, achievement does not suggest that you have fantastic points.

Comprehending as competently as bargain even more than further will have the funds for each success. bordering to, the notice as without difficulty as keenness of this Volvo D4 260 Manual Svenska can be taken as without difficulty as picked to act.

[http://www.frostbox.com/book/Resources/Documents/vauxhall\\_astra\\_h\\_workshop\\_manual\\_service\\_repair.pdf](http://www.frostbox.com/book/Resources/Documents/vauxhall_astra_h_workshop_manual_service_repair.pdf)

## **Table of Contents Volvo D4 260 Manual Svenska**

1. Understanding the eBook Volvo D4 260 Manual Svenska
  - The Rise of Digital Reading Volvo D4 260 Manual Svenska
  - Advantages of eBooks Over Traditional Books
2. Identifying Volvo D4 260 Manual Svenska
  - Exploring Different Genres
  - Considering Fiction vs. Non-Fiction
  - Determining Your Reading Goals
3. Choosing the Right eBook Platform
  - Popular eBook Platforms
  - Features to Look for in an Volvo D4 260 Manual Svenska
  - User-Friendly Interface
4. Exploring eBook Recommendations from Volvo D4 260 Manual Svenska
  - Personalized Recommendations
  - Volvo D4 260 Manual Svenska User Reviews and Ratings
  - Volvo D4 260 Manual Svenska and Bestseller Lists
5. Accessing Volvo D4 260 Manual Svenska Free and Paid eBooks
  - Volvo D4 260 Manual Svenska Public Domain eBooks

- Volvo D4 260 Manual Svenska eBook Subscription Services
- Volvo D4 260 Manual Svenska Budget-Friendly Options
- 6. Navigating Volvo D4 260 Manual Svenska eBook Formats
  - ePub, PDF, MOBI, and More
  - Volvo D4 260 Manual Svenska Compatibility with Devices
  - Volvo D4 260 Manual Svenska Enhanced eBook Features
- 7. Enhancing Your Reading Experience
  - Adjustable Fonts and Text Sizes of Volvo D4 260 Manual Svenska
  - Highlighting and Note-Taking Volvo D4 260 Manual Svenska
  - Interactive Elements Volvo D4 260 Manual Svenska
- 8. Staying Engaged with Volvo D4 260 Manual Svenska
  - Joining Online Reading Communities
  - Participating in Virtual Book Clubs
  - Following Authors and Publishers Volvo D4 260 Manual Svenska
- 9. Balancing eBooks and Physical Books Volvo D4 260 Manual Svenska
  - Benefits of a Digital Library
  - Creating a Diverse Reading Collection Volvo D4 260 Manual Svenska
- 10. Overcoming Reading Challenges
  - Dealing with Digital Eye Strain
  - Minimizing Distractions
  - Managing Screen Time
- 11. Cultivating a Reading Routine Volvo D4 260 Manual Svenska
  - Setting Reading Goals Volvo D4 260 Manual Svenska
  - Carving Out Dedicated Reading Time
- 12. Sourcing Reliable Information of Volvo D4 260 Manual Svenska
  - Fact-Checking eBook Content of Volvo D4 260 Manual Svenska
  - Distinguishing Credible Sources
- 13. Promoting Lifelong Learning
  - Utilizing eBooks for Skill Development
  - Exploring Educational eBooks

## 14. Embracing eBook Trends

- Integration of Multimedia Elements
- Interactive and Gamified eBooks

### **Volvo D4 260 Manual Svenska Introduction**

In this digital age, the convenience of accessing information at our fingertips has become a necessity. Whether its research papers, eBooks, or user manuals, PDF files have become the preferred format for sharing and reading documents. However, the cost associated with purchasing PDF files can sometimes be a barrier for many individuals and organizations. Thankfully, there are numerous websites and platforms that allow users to download free PDF files legally. In this article, we will explore some of the best platforms to download free PDFs. One of the most popular platforms to download free PDF files is Project Gutenberg. This online library offers over 60,000 free eBooks that are in the public domain. From classic literature to historical documents, Project Gutenberg provides a wide range of PDF files that can be downloaded and enjoyed on various devices. The website is user-friendly and allows users to search for specific titles or browse through different categories. Another reliable platform for downloading Volvo D4 260 Manual Svenska free PDF files is Open Library. With its vast collection of over 1 million eBooks, Open Library has something for every reader. The website offers a seamless experience by providing options to borrow or download PDF files. Users simply need to create a free account to access this treasure trove of knowledge. Open Library also allows users to contribute by uploading and sharing their own PDF files, making it a collaborative platform for book enthusiasts. For those interested in academic resources, there are websites dedicated to providing free PDFs of research papers and scientific articles. One such website is Academia.edu, which allows researchers and scholars to share their work with a global audience. Users can download PDF files of research papers, theses, and dissertations covering a wide range of subjects. Academia.edu also provides a platform for discussions and networking within the academic community. When it comes to downloading Volvo D4 260 Manual Svenska free PDF files of magazines, brochures, and catalogs, Issuu is a popular choice. This digital publishing platform hosts a vast collection of publications from around the world. Users can search for specific titles or explore various categories and genres. Issuu offers a seamless reading experience with its user-friendly interface and allows users to download PDF files for offline reading. Apart from dedicated platforms, search engines also play a crucial role in finding free PDF files. Google, for instance, has an advanced search feature that allows users to filter results by file type. By specifying the file type as "PDF," users can find websites that offer free PDF downloads on a specific topic. While downloading Volvo D4 260 Manual Svenska free PDF files is convenient, its important to note that copyright laws must be respected. Always ensure that the PDF files you download are legally available for free. Many authors and publishers voluntarily provide free PDF versions of their work, but its essential to be

cautious and verify the authenticity of the source before downloading Volvo D4 260 Manual Svenska. In conclusion, the internet offers numerous platforms and websites that allow users to download free PDF files legally. Whether its classic literature, research papers, or magazines, there is something for everyone. The platforms mentioned in this article, such as Project Gutenberg, Open Library, Academia.edu, and Issuu, provide access to a vast collection of PDF files. However, users should always be cautious and verify the legality of the source before downloading Volvo D4 260 Manual Svenska any PDF files. With these platforms, the world of PDF downloads is just a click away.

### **FAQs About Volvo D4 260 Manual Svenska Books**

How do I know which eBook platform is the best for me? Finding the best eBook platform depends on your reading preferences and device compatibility. Research different platforms, read user reviews, and explore their features before making a choice. Are free eBooks of good quality? Yes, many reputable platforms offer high-quality free eBooks, including classics and public domain works. However, make sure to verify the source to ensure the eBook credibility. Can I read eBooks without an eReader? Absolutely! Most eBook platforms offer web-based readers or mobile apps that allow you to read eBooks on your computer, tablet, or smartphone. How do I avoid digital eye strain while reading eBooks? To prevent digital eye strain, take regular breaks, adjust the font size and background color, and ensure proper lighting while reading eBooks. What the advantage of interactive eBooks? Interactive eBooks incorporate multimedia elements, quizzes, and activities, enhancing the reader engagement and providing a more immersive learning experience. Volvo D4 260 Manual Svenska is one of the best book in our library for free trial. We provide copy of Volvo D4 260 Manual Svenska in digital format, so the resources that you find are reliable. There are also many Ebooks of related with Volvo D4 260 Manual Svenska. Where to download Volvo D4 260 Manual Svenska online for free? Are you looking for Volvo D4 260 Manual Svenska PDF? This is definitely going to save you time and cash in something you should think about.

### **Find Volvo D4 260 Manual Svenska :**

**vauxhall astra h workshop manual service repair**

[vapor rub recipe](#) [natural baby](#)

**vc andrews dark angel**

**vector biology ecology and control**

**vdo c3 ds manual**

[vauxhall opel frontera petrol diesel shop manual 1991 1998](#)

[vaniteacutes les voies de la vengeance i](#)

**vdo kienzle 1324 manual**

[vbtl vvkso aso oplossingen combinatoriek en kansrekening 602](#)

[varco st 80](#)

[varian prostar 420 hplc manual](#)

**vauxhall zafira 2004 owners manual**

[vector intrusion alarm key pad manual](#)

**vauxhall opel vectra workshop repair manual all 1999 2002 models covered**

[vat 23 manual](#)

### **Volvo D4 260 Manual Svenska :**

[character reference template for gun permit letter templates - Apr 03 2022](#)

deur die koekies te aanvaar laat jy ons toe om vir jou die beste aanbod te bied vind meer uit

[ct pistol permit letter of recommendation sample us legal - Aug 07 2022](#)

mar 18 2019 sample letter to furnish a nature reference with tips for who to ask for one reference and advice on writing a

chart reference include examples information to include

[o gits solidariteit wêreld - Oct 29 2021](#)

**sample character reference letter for gun permit faceitsalon com - Sep 08 2022**

aug 31 2023 a a character reference letter for a gun permit should include your relationship with the applicant the length of time you have known them their character and suitability to

[letter of recommendation for gun permit sample example - Jun 05 2022](#)

character letter for gun permit sample template with examples in pdf and word format 6 00 2 90 52 a character letter for gun permit can be very helpful for gun permit

**character letter for firearm license template - May 16 2023**

how to write a character related for one gun allows reviewed by michelle seidel b sc ll b mba in many cities and townships

applicants must make by fewest one real as

[sample character letter for gun permit fill download for - Jul 06 2022](#)

jan 23 2018 sample character reference letter for gun permit in this age of terrorism where everything is uncertain



weapons are becoming a need of persons who are in hold of some

**5 fire arms license reference letters pdf docs writolay** - Jul 18 2023

mar 18 2019 in loads cities and townships applicants must provide at least one and because many as three or four character witnesses alongside their application for a gun permit write

how to write a character reference for a gun permit legal - Mar 14 2023

letter of recommendation gun permit letter of recommendation gun permit i have been lucky enough to know for the last years both as a regular volunteer at my work

**gun permit license recommendation letter sample** - Feb 13 2023

jun 5 2023 letter from a religious leader dear name i am writing to provide a character reference for applicant name who is a member of our congregation and is now applying for

*character reference letter for firearm competency* - Nov 29 2021

*how to write a character reference for a gun permit* - Sep 20 2023

i am writing on behalf of name who is applying for a gun license i have been name s boss pastor coworker teacher for number years and can confidently attest to his her clean

**character reference for gun license** - Aug 19 2023

in many cities and townships applicants shall making at least one and as tons as three or four character watches aside their claim for a gun get write an effective character reference by

character reference letter for gun license form signnow - May 04 2022

apr 22 2023 sincerely your name character reference letter for concealed carry permit dear recipient s name i am writing to recommend applicant s name for a concealed carry

**how to write a character reference for a gun permit legal** - Nov 10 2022

may 26 2023 an applicant must have a well written recommendation letter in order to strengthen the application every city has its own fire arm laws when it comes to gun permit

**how to create an effective letter of recommendation template** - Jan 12 2023

ct pistol permit letter of recommendation sample category licenses weapons or firearms applications references state multi state control us 02192bg format word

*letter of recommendation gun permit* - Oct 09 2022

use its powerful functionality with a simple to use intuitive interface to fill out sample character reference letter for gun permit online e sign them and quickly share them without jumping

**character letter for gun permit sample in pdf word** - Dec 31 2021

*sample character reference letter for gun permit* - Feb 01 2022

*how to write a character reference for a gun permit* - Apr 15 2023

by jayne thompson ll b ll m march 18 2019 reviewed by michelle seidel b sc ll b mba learn about our review processes in loads town and local applicants must provide

*how to write a character reference for a gun permit legal* - Dec 11 2022

searching for sample character letter for gun permit to fill cocodoc is the best platform for you to go offering you a user friendly and easy to edit version of sample character letter

**character reference letter for pistol permit template** - Jun 17 2023

jul 13 2023 a letter of recommendation for a gun permit should include details about the gun owner s character responsibility and suitability as a gun owner it may also include specific

how to write a character reference for a gun permit legal - Mar 02 2022

**owners manuals yamaha outboards** - Apr 30 2022

web hard copies of owner and service manuals available for purchase here buy a manual enter your primary id to view your owner manual the primary id is located on your outboard s serial number label and on your warranty card

yamaha 50 hp outboard 2 stroke wiring diagram wiring scan - Jan 28 2022

web aug 15 2023 yamaha 50 hp outboard 2 stroke wiring diagram by gree claire august 15 2023 0 comment

**yamaha f50 motor t50 f60 t60 f70 yamaha owner s** - Nov 06 2022

web read this manual carefully before operating this outboard motor owner s manual f50 t50 f60 t60 f70 lit 18626 12 40 6c1 28199 3k e0 6c1 9 3k 1e0 book 1 □□□ 2018□12□4□ □□□ □□4□38□

**yamaha 50 hp wiring diagram wiring flow schema** - Mar 30 2022

web apr 29 2022 the yamaha 50 hp wiring diagram is a valuable tool for any vessel it provides a detailed picture of how the electrical system works and how it interacts with other necessary components such as the motor battery and fuel systems

**yamaha 50 hp wiring diagram wiring boards** - Jun 13 2023

web feb 26 2023 the yamaha 50 hp wiring diagram is one of the most important pieces of information to have when dealing with any type of engine maintenance knowing how to read and interpret this diagram can make all the difference between a successful repair and a costly mistake

**yamaha outboard wiring yamaha outboard forums iboats** - Jul 02 2022

web yamaha outboards wiring no results to display wiring related links chrysler outboard wiring evinrude wiring force outboard wiring honda outboard wiring johnson outboard wiring mariner outboard wiring mercury outboard wiring nissan outboard wiring suzuki outboard wiring tohatsu outboard wiring yamaha outboard wiring

**yamaha 50 hp wiring diagram wiring digital and schematic** - Feb 26 2022

web aug 19 2021 yamaha 50 hp wiring diagram august 19 2021by wiring digital

**yamaha 50 hp wiring diagram wiring diagram** - May 12 2023

web jun 8 2022 in this article we ll walk you through the basics of yamaha 50 hp wiring diagrams and what they mean for your motor first let s talk about the different types of wiring diagrams used on a yamaha 50 hp outboard motor there are two main types the engine wiring diagram and the control panel wiring diagram

[yamaha 50 hp wiring diagram wiring work](#) - Mar 10 2023

web sep 25 2022 the yamaha 50 hp wiring diagram provides a comprehensive look at the wiring and connections used in the engine this includes the power and ground wires the data wires and the starter circuit the diagram also outlines any connections between the engine and its accessories such as the throttle fuel injector and cooling systems

[yamaha 50 hp 4 stroke wiring diagram wiring diagram](#) - Jul 14 2023

web dec 5 2017 a yamaha 50 hp 4 stroke wiring diagram is a schematic drawing that outlines the wiring layout for a model of a four stroke engine specifically it is a representation of the electrical connections between the various components of the engine as well as other systems in a boat

**yamaha 50 hp outboard repair manuals emanualonline** - Sep 04 2022

web 1987 yamaha 50 hp outboard service repair manual 35 99 yamaha marine outboards factory service repair workshop manual applicable models 50g 60f 70b 75c 90a 30 99

**yamaha 50 hp wiring diagram wiring diagram** - Aug 03 2022

web oct 19 2022 the yamaha 50 hp wiring diagram is a great tool for making sure all the electrical connections on your boat are secure and correctly configured with this diagram you can easily locate and identify each component as well as make sure all the cables are securely connected to their respective terminals

[yamaha 50 owner s manual pdf download manualslib](#) - Jan 08 2023

web view and download yamaha 50 owner s manual online 50 outboard motor pdf manual download

[yamaha outboard wiring diagram 50hp 60hp 70hp 1996](#) - Apr 11 2023

web yamaha ourboard wiring diagram 50hp 60hp 70hp 1996 wiring diagram components thermo switch ignition switch pulsar coil charge coil lighting coil cdi unit starter

**electrical system yamaha outboards** - Oct 05 2022

web check cables consider house batteries use the right battery make sure to use the right size and type recommended in your owner s or service manual see chart below for general specifications if there s any question about a battery s performance have it load tested

*yamaha f50a service manual pdf download manualslib* - Dec 07 2022

web brkt bracket unit checking the throttle cable and shift cable 1 check the operation of the throttle cable and shift cable 2 check the inner wire and outer wire of both cables for bends or damage and the rubber seals for damage replace if necessary

page 295 tiller handle f50 f50a t50 ft50b memo 7 16 62y3a11

yamaha outboard 50hp oem parts diagram for electrical - Feb 09 2023

web buy oem parts for yamaha outboard 50hp electrical 2 diagram my garage location order help check order status help info contact us 2 50 2 50 add 8 rectifier regulator assy 6h2 81960 10 00 in stock 148 00 139 86 wire harness assy 10p 63d 82590 40 00 ships in 2 to 3 days 269 05 234 03

*yamaha outboard gauge wiring diagram everything you need* - Dec 27 2021

web nov 25 2022 the yamaha outboard gauge wiring diagram in practice in essence the chart has shown you every colorful wire associated with a particular outboard now that you know which wiring color leads to what function in your yamaha outboard let s take a look at the diagram first

**yamaha 50 hp wiring diagram wiring scan** - Aug 15 2023

web nov 20 2022 yamaha 50 hp wiring diagrams can be downloaded from authorized yamaha dealers or online retailers to get the most accurate information make sure to select the version that matches the model and serial number of your engine

electrical wiring diagram 1987 crowley marine - Jun 01 2022

web feb 20 2020 easy to use parts diagrams best price guarantee expert live support 50 years of yamaha outboard 1984 1987 90hp all added february 20 2020 at 8 52 pm updated august 14 2020 at 9 51 pm electrical wiring diagram 1987 lit 18616 00 09 yamaha marine wiring diagram a type ignition coil thermoswitch rectifier

*at home in the whole food kitchen google books* - Aug 03 2022

web at home in the whole food kitchen celebrating the art of eating well by amy chaplin imagine you are in a bright breezy kitchen there are large bowls on the

*at home in the whole food kitchen celebrating the art of eating* - Oct 05 2022

web oct 21 2014 at home in the whole food kitchen celebrating the art of eating well amy chaplin shambhala publications oct 21 2014 cooking 400 pages imagine you are in

**at home in the whole food kitchen celebrating the art of eating** - Jan 28 2022

web a kitchen in istanbul 545 likes recipes stories from the heart of istanbul

[at home in the whole food kitchen celebrating the art](#) - Jan 08 2023

web buy at home in the whole food kitchen celebrating the art of eating well written by amy chaplin 2014 edition publisher roost books hardcover by amy chaplin isbn

**at home in the whole food kitchen celebrating the art of eating** - Feb 26 2022

web discover and share books you love on goodreads

[at home in the whole food kitchen google books](#) - May 12 2023

web oct 21 2014 this is amy chaplin s kitchen it is a heavenly place and this book will make it your kitchen too with her love of whole food and knowledge as a chef chaplin has

[a visit to the kitchen of amy chaplin vegetarian chef and](#) - Mar 30 2022

web at home in the whole food kitchen celebrating the art of eating well chaplin amy amazon com tr

[at home in the whole food kitchen english edition pdf 2023](#) - Apr 30 2022

web at home in the whole food kitchen celebrating the art of eating well ebook chaplin amy miller johnny amazon ca kindle store

[loading interface goodreads](#) - Dec 27 2021

web buy at home in the whole food kitchen celebrating the art of eating well 01 by chaplin amy miller johnny isbn 9781910254141 from amazon s book store everyday low

[at home in the whole food kitchen celebrating the art of eating](#) - Apr 11 2023

web at home in the whole food kitchen celebrating the art of eating well kindle edition by amy chaplin author johnny miller photographer format kindle edition 4 6 426

[at home in the whole food kitchen google books](#) - Dec 07 2022

web at home in the whole food kitchen celebrating the art of eating well english edition ebook chaplin amy miller johnny amazon de kindle store

[at home in the whole food kitchen celebrating the art of eating](#) - Nov 06 2022

web at home in the whole food kitchen celebrating the art of eating well ebook written by amy chaplin read this book using google play books app on your pc android ios

[at home in the whole food kitchen celebrating the art of eating](#) - Sep 23 2021

**at home in the whole food kitchen celebrating the art of eating** - Jun 13 2023

web mar 21 2022 at home in the whole food kitchen celebrating the art of eating well by chaplin amy publication date 2014

topics cooking natural foods natural foods

at home in the whole food kitchen penguin random house - Aug 15 2023

web at home in the whole food kitchen by amy chaplin 9781611800852 penguinrandomhouse com books james beard award winner vegetarian iacp

my book amy chaplin - Mar 10 2023

web at home in the whole food kitchen celebrating the art of eating well chaplin amy miller johnny 9781611800852 books amazon ca books

*at home in the whole food kitchen celebrating the art of eating* - Jul 14 2023

web jul 30 2015 at home in the whole food kitchen features some of the finest plant based recipes available and presents a wealth of information on food health and

*at home in the whole food kitchen celebrating the art of eating* - Jul 02 2022

web the nutritionist s kitchen carly knowles 2020 12 15 the ultimate guide to healthy meals with the healing benefits of whole foods and the latest science backed nutritional

at home in the whole food kitchen celebrating the art of eating - Sep 04 2022

web at home in the whole food kitchen celebrating the art of eating well chaplin amy miller johnny amazon com au books books

a kitchen in istanbul facebook - Nov 25 2021

web jul 30 2015 at home in the whole food kitchen celebrating the art of eating well kindle edition by chaplin amy miller johnny download it once and read it on your

*at home in the whole food kitchen celebrating the art* - Feb 09 2023

web a sophisticated vegetarian cookbook with all the tools you need to be at home in your kitchen cooking in the most nourishing and delicious ways from the foundations of

*at home in the whole food kitchen book trailer youtube* - Jun 01 2022

web oct 24 2014 chef and healthy eating advocate amy chaplin author of the new book at home in the whole food kitchen counts natalie portman and liv tyler among her

**at home in the whole food kitchen celebrating the art of eating** - Oct 25 2021