

This TSI Service Bulletin replaces TSI Service Bulletin 215-001, "Camshaft, D12, D12A, D12B" (11.2001), publication no. PV776-TSP160576.

Date	Group	No.	Supp.	Page
8.2003	215	001		1(21)

Camshaft  
D12, D12A, D12B

## Camshaft

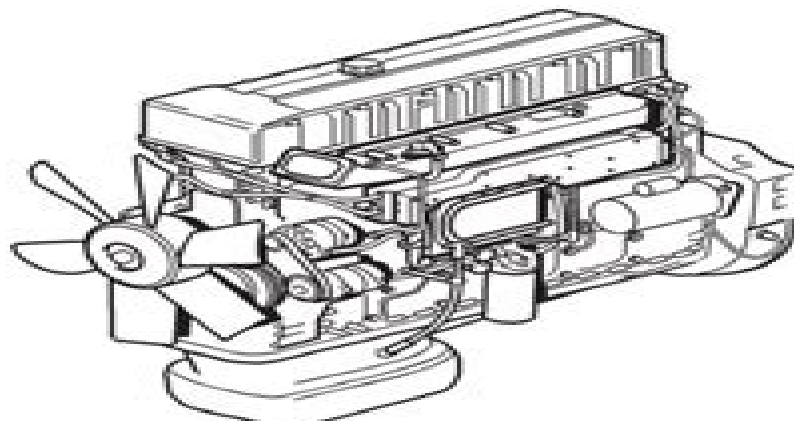


Fig. 1: VOLVO D12B Engine

This information covers procedures for camshaft repair on VOLVO D12, D12A, and D12B engines.

### Contents

- "Special Tools" page 2
- "Camshaft Timing, Checking" page 12
- "Camshaft Timing, Check and Adjust" page 18
- "Camshaft, Replacement" page 3

# Volvo D12 Service Manual

**Katrin Zwirgmaier**



## **Volvo D12 Service Manual:**

Moody's International Manual ,1998      *Car and Driver* ,1980      **Cruising World** ,1982-01      **Boating** ,2005-11

**Chilton's Commercial Carrier Journal for Professional Fleet Managers** ,1994      **South African Shipping News and Fishing Industry Review** ,2000      *Fleet Owner* ,1999      **The UBD Complete Street Directory of Sydney City & Suburbs** ,      **Volvo Service Manual** Volvo, Aktiebolaget,1962      *The Commercial Motor* ,1979      Autocar ,2003

**Volvo S40 and V50 Diesel Owner's Workshop Manual, 07-13** Chris Randall,2016-10      Volvo Service Manual Repair Instructions ,1975      *Volvo S40 and V50 Diesel (07-13) 07 to 62* Chris Randall,2013-01-01 Part of the Haynes Service and Repair Manual Series this title covers Volvo S40 and V50 diesel cars made between 2007 and 2013      **Volvo Trucks Service Manual** Volvo, Aktiebolaget,1971      **Volvo 142, 144 and 145 Owner Workshop Manual** John Harold Haynes,2012-10-01 An owners workshop manual for the Volvo 142 144 and 145      **Volvo V 70 & S80** Martynn Randall,2006 In this book Martyn Randall provides a service and repair manual for the Volvo V70 and Volvo S80 automobile

**Volvo 240 Series Owners Workshop Manual** Robert Phillip Maddox,Steve Churchill,2015-08 This Volvo 240 series owner s manual illustrated with drawings and photographs provides comprehensive advice on routine maintenance fault diagnosis and wiring using common tools      Volvo 240 Series Service and Repair Manual Robert Maddox,Steve Churchill,1996 240 242 244 245 inc special limited editions Petrol 2 0 litre 1986cc 2 1 litre 2127cc 2 3 litre 2316cc OHC Does NOT cover OHV engines      Service Manual Volvo Trucks North America,1991

## Unveiling the Power of Verbal Beauty: An Emotional Sojourn through **Volvo D12 Service Manual**

In a world inundated with monitors and the cacophony of immediate communication, the profound power and emotional resonance of verbal beauty usually fade into obscurity, eclipsed by the continuous onslaught of noise and distractions. However, set within the musical pages of **Volvo D12 Service Manual**, a fascinating perform of literary brilliance that impulses with natural feelings, lies an memorable trip waiting to be embarked upon. Written by a virtuoso wordsmith, this interesting opus courses readers on an emotional odyssey, delicately revealing the latent possible and profound influence embedded within the intricate internet of language. Within the heart-wrenching expanse with this evocative evaluation, we shall embark upon an introspective exploration of the book is key themes, dissect its interesting writing style, and immerse ourselves in the indelible effect it leaves upon the depths of readers souls.

[http://www.frostbox.com/public/uploaded-files/Download\\_PDFS/the%20focus%20of%20life.pdf](http://www.frostbox.com/public/uploaded-files/Download_PDFS/the%20focus%20of%20life.pdf)

### **Table of Contents Volvo D12 Service Manual**

1. Understanding the eBook Volvo D12 Service Manual
  - The Rise of Digital Reading Volvo D12 Service Manual
  - Advantages of eBooks Over Traditional Books
2. Identifying Volvo D12 Service Manual
  - Exploring Different Genres
  - Considering Fiction vs. Non-Fiction
  - Determining Your Reading Goals
3. Choosing the Right eBook Platform
  - Popular eBook Platforms
  - Features to Look for in an Volvo D12 Service Manual
  - User-Friendly Interface
4. Exploring eBook Recommendations from Volvo D12 Service Manual
  - Personalized Recommendations

- Volvo D12 Service Manual User Reviews and Ratings
- Volvo D12 Service Manual and Bestseller Lists
- 5. Accessing Volvo D12 Service Manual Free and Paid eBooks
  - Volvo D12 Service Manual Public Domain eBooks
  - Volvo D12 Service Manual eBook Subscription Services
  - Volvo D12 Service Manual Budget-Friendly Options
- 6. Navigating Volvo D12 Service Manual eBook Formats
  - ePub, PDF, MOBI, and More
  - Volvo D12 Service Manual Compatibility with Devices
  - Volvo D12 Service Manual Enhanced eBook Features
- 7. Enhancing Your Reading Experience
  - Adjustable Fonts and Text Sizes of Volvo D12 Service Manual
  - Highlighting and Note-Taking Volvo D12 Service Manual
  - Interactive Elements Volvo D12 Service Manual
- 8. Staying Engaged with Volvo D12 Service Manual
  - Joining Online Reading Communities
  - Participating in Virtual Book Clubs
  - Following Authors and Publishers Volvo D12 Service Manual
- 9. Balancing eBooks and Physical Books Volvo D12 Service Manual
  - Benefits of a Digital Library
  - Creating a Diverse Reading Collection Volvo D12 Service Manual
- 10. Overcoming Reading Challenges
  - Dealing with Digital Eye Strain
  - Minimizing Distractions
  - Managing Screen Time
- 11. Cultivating a Reading Routine Volvo D12 Service Manual
  - Setting Reading Goals Volvo D12 Service Manual
  - Carving Out Dedicated Reading Time
- 12. Sourcing Reliable Information of Volvo D12 Service Manual
  - Fact-Checking eBook Content of Volvo D12 Service Manual

- Distinguishing Credible Sources
13. Promoting Lifelong Learning
- Utilizing eBooks for Skill Development
  - Exploring Educational eBooks
14. Embracing eBook Trends
- Integration of Multimedia Elements
  - Interactive and Gamified eBooks

## **Volvo D12 Service Manual Introduction**

In this digital age, the convenience of accessing information at our fingertips has become a necessity. Whether its research papers, eBooks, or user manuals, PDF files have become the preferred format for sharing and reading documents. However, the cost associated with purchasing PDF files can sometimes be a barrier for many individuals and organizations. Thankfully, there are numerous websites and platforms that allow users to download free PDF files legally. In this article, we will explore some of the best platforms to download free PDFs. One of the most popular platforms to download free PDF files is Project Gutenberg. This online library offers over 60,000 free eBooks that are in the public domain. From classic literature to historical documents, Project Gutenberg provides a wide range of PDF files that can be downloaded and enjoyed on various devices. The website is user-friendly and allows users to search for specific titles or browse through different categories. Another reliable platform for downloading Volvo D12 Service Manual free PDF files is Open Library. With its vast collection of over 1 million eBooks, Open Library has something for every reader. The website offers a seamless experience by providing options to borrow or download PDF files. Users simply need to create a free account to access this treasure trove of knowledge. Open Library also allows users to contribute by uploading and sharing their own PDF files, making it a collaborative platform for book enthusiasts. For those interested in academic resources, there are websites dedicated to providing free PDFs of research papers and scientific articles. One such website is Academia.edu, which allows researchers and scholars to share their work with a global audience. Users can download PDF files of research papers, theses, and dissertations covering a wide range of subjects. Academia.edu also provides a platform for discussions and networking within the academic community. When it comes to downloading Volvo D12 Service Manual free PDF files of magazines, brochures, and catalogs, Issuu is a popular choice. This digital publishing platform hosts a vast collection of publications from around the world. Users can search for specific titles or explore various categories and genres. Issuu offers a seamless reading experience with its user-friendly interface and allows users to download PDF files for offline reading. Apart from dedicated platforms, search engines also play a crucial role in finding free PDF files. Google, for instance, has an advanced search

feature that allows users to filter results by file type. By specifying the file type as "PDF," users can find websites that offer free PDF downloads on a specific topic. While downloading Volvo D12 Service Manual free PDF files is convenient, it's important to note that copyright laws must be respected. Always ensure that the PDF files you download are legally available for free. Many authors and publishers voluntarily provide free PDF versions of their work, but it's essential to be cautious and verify the authenticity of the source before downloading Volvo D12 Service Manual. In conclusion, the internet offers numerous platforms and websites that allow users to download free PDF files legally. Whether it's classic literature, research papers, or magazines, there is something for everyone. The platforms mentioned in this article, such as Project Gutenberg, Open Library, Academia.edu, and Issuu, provide access to a vast collection of PDF files. However, users should always be cautious and verify the legality of the source before downloading Volvo D12 Service Manual any PDF files. With these platforms, the world of PDF downloads is just a click away.

### **FAQs About Volvo D12 Service Manual Books**

How do I know which eBook platform is the best for me? Finding the best eBook platform depends on your reading preferences and device compatibility. Research different platforms, read user reviews, and explore their features before making a choice. Are free eBooks of good quality? Yes, many reputable platforms offer high-quality free eBooks, including classics and public domain works. However, make sure to verify the source to ensure the eBook credibility. Can I read eBooks without an eReader? Absolutely! Most eBook platforms offer web-based readers or mobile apps that allow you to read eBooks on your computer, tablet, or smartphone. How do I avoid digital eye strain while reading eBooks? To prevent digital eye strain, take regular breaks, adjust the font size and background color, and ensure proper lighting while reading eBooks. What the advantage of interactive eBooks? Interactive eBooks incorporate multimedia elements, quizzes, and activities, enhancing the reader engagement and providing a more immersive learning experience. Volvo D12 Service Manual is one of the best books in our library for free trial. We provide copy of Volvo D12 Service Manual in digital format, so the resources that you find are reliable. There are also many eBooks of related with Volvo D12 Service Manual. Where to download Volvo D12 Service Manual online for free? Are you looking for Volvo D12 Service Manual PDF? This is definitely going to save you time and cash in something you should think about.

**Find Volvo D12 Service Manual :**  
**the focus of life**

~~the enchanted april~~

~~the event guide dublin~~

**the fire bird english edition**

~~the endocrine system anatomy and physiology packet answers~~

**the forging of souls duology a marked man volume 1**

**the executive guide to corporate bankruptcy**

~~the essential handbook for buying a home~~

~~the enlightenment of daniel sex in seattle book english edition~~

**the expert gymnast academy 1**

**the final line english edition**

~~the eastern front~~

~~the essential guide to upholstery~~

**the folding star historical fiction**

~~the gates of trevalyan~~

**Volvo D12 Service Manual :**

**let s play two baseball game board game boardgamegeek** - Apr 10 2023

web baseball game board game boardgamegeek 8 0 let s play two baseball game 2002 add a brief description 3 rating s 2

comment s geekbuddy analysis 1 2

let s play soccer baseball suggestion youtube - May 31 2022

web check out our let s play baseball selection for the very best in unique or custom handmade pieces from our shops

*let s play baseball home run sports songs youtube* - Aug 14 2023

web aug 6 2021 let s play baseball home run sports songs pinkfong songs for children pinkfong baby shark kids songs

stories 68 7m subscribers subscribe

**let s play baseball youtube** - Jul 01 2022

web mar 10 2022 players have voted to accept major league baseball s latest offer for a new labor deal paving the way to

end a 99 day lockout and salvage a 162 game regular season

**let s play football** - Dec 26 2021

web 5 hours ago fine nfl you get a pass in week 1 but you get that pass for opening week only no practice squad power

rankings members were called up to begin the season



*let s play baseball etsy canada* - Aug 02 2022

web jun 17 2014 youtube com user englishsingsing9let s play soccer let s play baseball english song for kids let s sing sing alonghere is great educati

**baseball let s plays reviews youtube channel stats let s** - Nov 24 2021

**kerokero keroppi no ganbare keroppooz myanimelist net** - Jul 13 2023

web keroppi in let s play baseball edit add to my list add to favorites alternative titles synonyms hello kitty and friends let s play baseball keroppi and friends let s

**let s play baseball amazon com** - Feb 08 2023

web a baseball encourages a boy to play the game to enjoy the sounds excitement and camaraderie of the game the short rhyming text is accompanied by humorous

**let s play baseball a lift a flap board book for** - Sep 22 2021

let s play baseball by nancy hall board book barnes noble - Dec 06 2022

web an out of this world story about a boy and his amazing basketball that will have little listeners begging to play too we could bounce to the park dribble to a funky beat spin

*let s play sports let s play football let s play baseball let s* - Sep 03 2022

web sep 26 2019 the gang plays a baseball game subscribe to my main channel youtube com alpharadfollow me on twitter

**let s play baseball everything you need to know for your first** - Mar 09 2023

web jan 8 2019 baseball can be complicated but this unique book has all the information a kid needs before picking up a bat or fielding a ball filled with diagrams helpful photos

**let s play baseball super sturdy picture books goodreads** - Nov 05 2022

web may 28 2019 learn all about football baseball soccer and basketball with this sporty four book collection get out and play perfect for anyone who wants to get their child

**let s play ball mlb players accept labor deal and salvage 2022** - Apr 29 2022

web about press copyright contact us creators advertise developers terms privacy policy safety how youtube works test new features press copyright contact us creators

*week 2 nfl practice squad power rankings 2023 raiders wr* - Oct 24 2021

**let s play baseball board game boardgamegeek** - May 11 2023

web let s play baseball is a simple board game rendition of the game of baseball that uses a custom 52 card deck to drive play both sides start on an even footing and no use of

**lesson 17 a let s play baseball cartoon story** - Oct 04 2022

web check out our let s play baseball selection for the very best in unique or custom handmade pieces from our shops

mission moment let s play ball 2023 team bcps - Jan 27 2022

web channels with the most views channel views 1 foolish baseball 1 335 617 2 nenriki gaming channel 750 273 3

let s play baseball swift ginger amazon com tr - Jun 12 2023

web let s play baseball swift ginger amazon com tr Çerez tercihlerinizi seçin alışveriş deneyiminizi geliştirmek hizmetlerimizi sunmak müşterilerin hizmetlerimizi nasıl

let s play baseball youtube - Feb 25 2022

web let s play football look inside a hardcover children s book about the journey of a papa bear and his young cub that takes them from training camp through game day as they

let s play baseball etsy - Mar 29 2022

web mar 2 2023 we cordially invite you to place an x on your calendar to partake in a day of fun filled activities at the second annual let s play ball event which will take place on

*let s play baseball reading rockets* - Jan 07 2023

web feb 13 2018 learn all about baseball with this shaped board book that looks and feels like a real baseball perfect for anyone who wants to get their child started early let s play

fats quiz health encyclopedia university of rochester - Aug 17 2023

web a beef b butter c cookies d all of the above 5 if you consume 2 000 calories a day and want to limit the amount of fat you eat to no more than 30 how many grams of fat is that a 44 grams b 56 grams c 67 grams d 78 grams 6 fat substitutes are 1 option for cutting the fat calories in foods

**fats and oils mcq and answers mypharmaguide com** - Feb 28 2022

web mar 13 2022 1 fats and oils are esters amides carboxylic acids phenols ans esters 2 soaps are prepared by hydrolysis of triglycerides using hcl h<sub>2</sub>so<sub>4</sub> naoh h<sub>2</sub>o ans naoh 3 example of drying oil is coconut oil castor oil linseed oil olive oil ans linseed oil 4 which of the below fatty acid is an example of unsaturated fatty acid myristic acid oleic acid

**fat and fats quiz healthy fats fatty foods medicinenet** - Sep 18 2023

web nov 6 2017 the correct answer is to control metabolism and immune function explanation the purpose of fat in our bodies is to control metabolism and immune function fat plays various roles in the body including insulating the body and maintaining body temperature protecting our organs acting as an energy reserve and helping us absorb

[lipids practice macromolecules khan academy](#) - Feb 11 2023

web choose 1 answer they are composed of nitrogenous chains they are composed of nitrogenous chains they are not soluble in water they are not soluble in water they are either fats or oils they are either fats or oils they are

[66 questions with answers in fats science topic researchgate](#) - May 14 2023

web nov 11 2023 asked a question related to fats what is the response to growth weight and egg size of layers fed combined inclusion of ginger zingiber officinale and garlic allium sativum question

**fats mcqs with answers net explanations** - Jun 03 2022

web jul 5 2021 fats mcqs hello students our next topic is fats the fats or lipids are the biomolecules that are hydrophobic it plays important role in living organisms it acts as long term energy source and it has role in protection the types of fats are insoluble in water the set of mcqs will provide you more information about fats

[fats definition of fats by medical dictionary](#) - Oct 07 2022

web fats nutrition a family of foods in the diet see balanced diet essential dietary component food pyramid four food groups mineral vitamin food groups

**fat s questions and answers introductory biology** - Nov 08 2022

web from this data answer the following questions a what is the relationship between fat intake and blood pressure 1 mark b which gender should consume less fats in their diet

**5 questions and answers about fat** - Apr 13 2023

web jun 9 2017 so without further ado here are five questions and answers about fat question 1 what is fat fats in foods supply calories and essential fatty acids they also aid the absorption of fat soluble vitamins like vitamins a d e and k fat carbohydrates and protein are the three macronutrients in our foods that provide calories

**23 fat quizzes questions answers trivia proprofs** - Sep 06 2022

web mar 20 2023 quiz will i be fat quiz will i be fat our bodies go through many changes and we often question ourselves will i be fat in the future quiz yourself with these questions because we can never be sure how our bodies will look in time our eating habits and questions 10 attempts 35803 last updated may 8 2023 sample

[questions answers about fats in our diet ndsu agriculture](#) - Jun 15 2023

web it also answers common questions about dietary fats q what are the current recommendations related to fats in the diet choosing liquid vegetable oils instead of solid fats is a great way to be kind to your body

**fats quiz nutritional quiz nutrition quizzes food groups and** - Jul 16 2023

web science activities fats quiz test your knowledge in fats one of the nutrients in our food learn about the basic nutrients and the five food groups with us

*quiz worksheet function structure of fats study com* - Jul 04 2022

web 1 what is this molecule called glycerol carboxyl group hydroxyl group all answers are correct 2 what is this image depicting a fat a glycerol and 3 fatty acid chains a triglyceride all

*newest fats questions chemistry stack exchange* - May 02 2022

web my question is what reaction products are formed if an unsaturated fat is reacted at ca 20 50 c with aqueous hydrogen peroxide of ca 35 to find the answer we can subdivide the question into

**fats and oils your questions answered healthy food guide** - Oct 19 2023

web apr 3 2017 we answer your questions so you can make healthier choices what are fats fat is a macronutrient found in food along with protein and carbohydrate fats are chemically similar substances composed of fatty acids they include liquid oils such as olive oil as well as solid fats such as butter vegetable shortening ghee and lard

**13 very interesting questions with their answers explained** - Aug 05 2022

web dec 2 2022 the answers are based on science and general facts so let s begin our virtual question answer session and find out how smart you actually are table of contents 13 what s the color of mirror 12 how much of our brain do we use 11 where do permanently deleted files go in computers 10 what is the resolution of the human

*what is fat good fats and bad fats skillsyouneed* - Jan 10 2023

web these fats tend to be solid at room temperature like butter or lard where a fat contains one or more double bond it is unsaturated it has the capacity to bond with more molecules of something else these fats are more likely to be liquid at room temperature oils when a fat has several unsaturated bonds it is polyunsaturated

fat and protein metabolism questions practice khan academy - Mar 12 2023

web choose 1 answer proteins a proteins disaccharides b disaccharides cellulose c cellulose triglycerides d triglycerides stuck use a hint report a problem loading learn for free about math art computer programming economics physics chemistry biology medicine finance history and more

*mcq on fatty acids easybiologyclass* - Apr 01 2022

web 1 most commonly occurring fatty acids in nature are a even number of carbon atoms in an un branched chain of 12 24 carbons b odd number of carbon atoms in an un branched chain of 12 24 carbons c even number of carbon atoms in a branched chain of 12 24 carbons d odd number of carbon atoms in a branched chain of 12 24 carbons 2

**test for fats biology practicals for class 12 with viva questions** - Dec 09 2022

web these include saturated fats they contribute to the bad cholesterol and are usually present in animal products such as milk cheese meat etc hence should be consumed in limited quantity saturated fats are substituted by unsaturated fats to lower cholesterol levels trans fatty acids play a similar role

*micel vaillant le site officiel* - May 06 2022

web voir toutes les actualités l'écurie vaillante fait peau neuve philippe graton décide de confier les dessins à de nouveaux auteurs grâce à cette nouvelle équipe micel vaillant s'engage pour une nouvelle saison qui s'annonce dense étincelante et

**micel vaillant nouvelle saison tome 2 voltage french** - Mar 16 2023

web dec 6 2013 buy micel vaillant nouvelle saison tome 2 voltage french edition read kindle store reviews amazon com

*micel vaillant saison 2 tome 2 voltage nouvelle édition* - Sep 22 2023

web nov 24 2021 micel vaillant saison 2 tome 2 voltage nouvelle édition édition définitive lapière denis graton philippe bourgne benéteau on amazon com free shipping on qualifying offers micel vaillant saison 2 tome 2 voltage nouvelle édition édition définitive

**voltage tome 2 de la série de bd micel vaillant saison 2 de** - Nov 12 2022

web dec 1 2021 voltage tome 2 de la série de bd micel vaillant saison 2 de benéteau bourgne graton philippe lapière depuis grand public Éditions dupuis feuilletez gratuitement cette bd en ligne interdit de course jusqu'à la fin de la saison après les événements de la course de portimão micel vaillant traverse une période de doute

micel vaillant saison 2 tome 2 voltage amazon fr - Aug 21 2023

web micel vaillant saison 2 tome 2 voltage philippe graton denis lapière marc bourgne benjamin benéteau amazon fr livres

**micel vaillant nouvelle saison tome 2 voltage apple books** - Oct 11 2022

web dec 6 2013 interdit de course jusqu'à la fin de la saison après les événements de la course de portimão micel vaillant traverse une période de doute troublé par la détermination de son fils engagé dans une entreprise qu'il juge incompatible avec les valeurs de la famille micel vaillant décide de relever

**voltage micel vaillant nouvelle saison 2 goodreads** - Aug 09 2022

web micel vaillant nouvelle saison 2 voltage philippe graton denis lapière marc bourgne more 3 67 54 ratings3 reviews interdit de course jusqu'à la fin de la saison après les événements de la course de portimão micel vaillant traverse une période de doute

*micel vaillant nouvelle saison tome 2 voltage lapière* - Jun 19 2023

web micel vaillant nouvelle saison tome 2 voltage lapière graton philippe on amazon com au free shipping on eligible orders micel vaillant nouvelle saison tome 2 voltage

*micel vaillant nouvelle saison tome 2 album decitre* - Mar 04 2022

web dec 6 2013 troublé par la détermination de son fils engagé dans une entreprise qu'il juge incompatible avec les valeurs de la famille micel vaillant décide de relever un nouveau défi battre le record de vitesse avec une voiture

micel vaillant saison 2 la série de bd Éditions dupuis - Jan 14 2023

web découvrez la série de bd michel vaillant saison 2 de benéteau bourgne dutreuil graton philippe lapière marin dupuis grand public Éditions dupuis et feuilletez gratuitement les bd en ligne c est le grand retour de michel vaillant le pilote vedette des plus grands circuits internationaux

[michel vaillant nouvelle saison 2 voltage bedetheque](#) - Jul 20 2023

web oct 18 2013 troublé par la détermination de son fils engagé dans une entreprise qu il juge incompatible avec les valeurs de la famille michel vaillant décide de relever un nouveau défi battre le record de vitesse avec une voiture

**michel vaillant saison 2 tome 2 voltage cultura** - Apr 05 2022

web michel vaillant saison 2 tome 2 voltage aux éditions graton c est le grand retour de michel vaillant le pilote vedette des plus grands circuits internationaux confronté aux nouveaux enjeux sportifs et technologiques l

**michel vaillant nouvelle saison tome 2 voltage by** - Feb 15 2023

web buy michel vaillant nouvelle saison tome 2 voltage by online on amazon ae at best prices fast and free shipping free returns cash on delivery available on eligible purchase

**michel vaillant saison 2 tome 2 voltage nouvelle édition** - Apr 17 2023

web michel vaillant saison 2 tome 2 voltage nouvelle édition édition définitive by lapière denis graton philippe isbn 10 2390601294 isbn 13 9782390601296 graton 2021 hardcover

**michel vaillant nouvelle saison tome 2 voltage** - Sep 10 2022

web feuilletez un extrait de michel vaillant nouvelle saison tome 2 voltage de denis lapiere philippe graton benjamin beneteau marc bourgne 1ère librairie en ligne spécialisée bd envois rapides et soignés

[michel vaillant nouvelle saison tome 2 voltage youtube](#) - Jun 07 2022

web oct 23 2013 un nouveau challenge attend michel vaillant pilote père et entrepreneur face aux défis de la modernité michel vaillant nouvelle saison tome 2 voltage

*michel vaillant saison 2 tome 2 voltage babelio* - Oct 23 2023

web dec 6 2013 sur ce second tome de la nouvelle saison des aventures de michel vaillant on a droit à une bonne histoire sur un scénario solide et un dessin des personnages un peu plus soutenu difficile toutefois de reconnaître steve warson sous

[michel vaillant tome 2 michel vaillant saison 2 voltage](#) - May 18 2023

web nov 24 2021 michel vaillant tome 2 michel vaillant saison 2 voltage nouvelle édition édition définitive 5 1 avis résumé voir tout interdit de course jusqu à la fin de la saison après les événements de la course de portimão michel vaillant traverse une période de doute

**michel vaillant nouvelle saison tome 2 voltage french** - Dec 13 2022

web michel vaillant nouvelle saison tome 2 voltage french édition ebook graton philippe lapière denis benéteau benjamin

marc bourgne amazon com au kindle store

micel vaillant nouvelle saison tome 2 voltage - Jul 08 2022

web le second tome de la nouvelle saison des aventures de michel vaillant se poursuit sur les chapeaux de roue en un habile dialogue entre fiction et réalité afficher en entier mod suppr