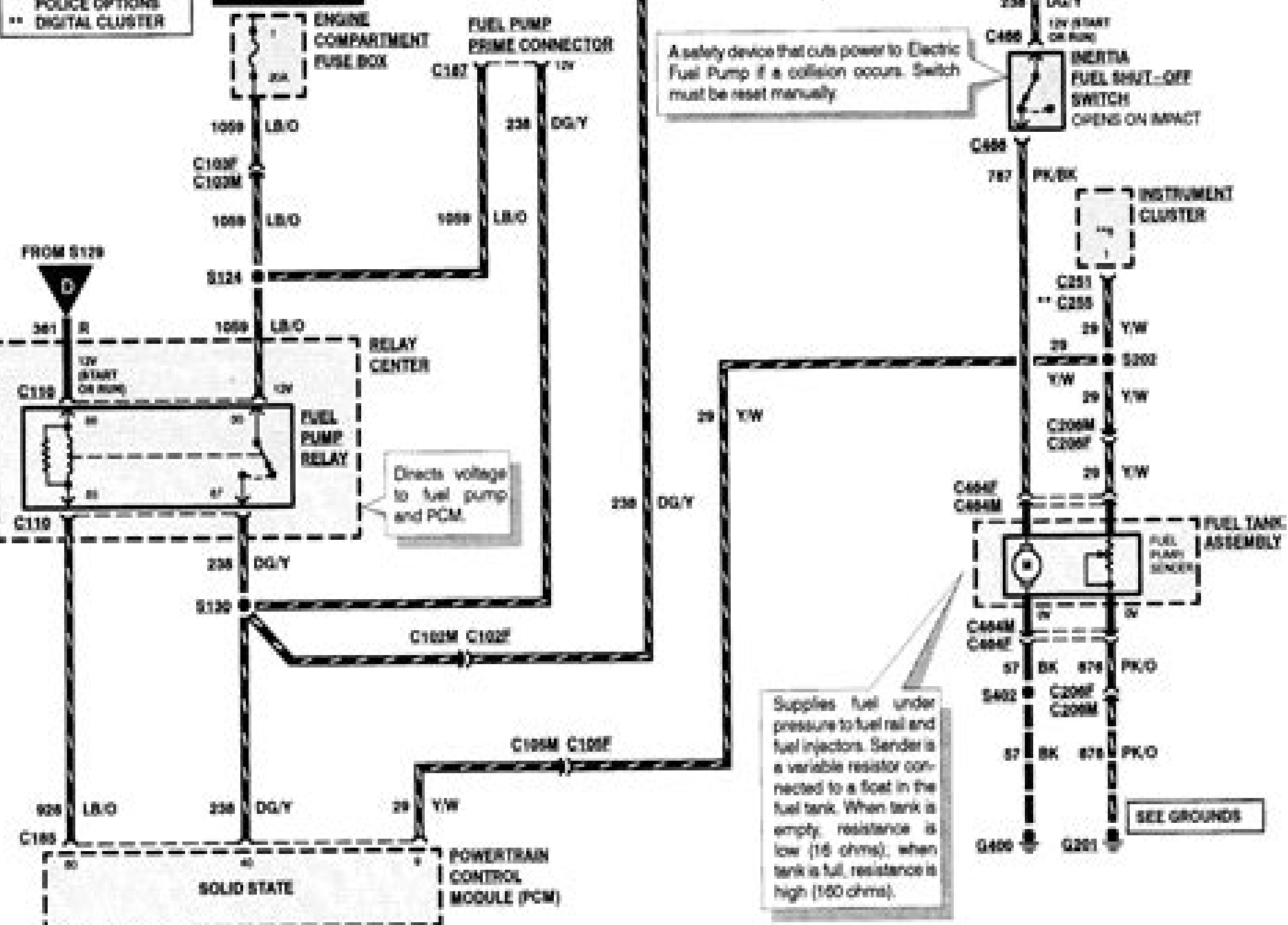


- NOT FOR USE WITH POLICE OPTIONS
- DIGITAL CLUSTER

**HOT AT ALL TIMES**



A safety device that cuts power to Electric Fuel Pump if a collision occurs. Switch must be reset manually

Directs voltage to fuel pump and PCM.

Supplies fuel under pressure to fuel rail and fuel injectors. Sender is a variable resistor connected to a float in the fuel tank. When tank is empty, resistance is low (15 ohms); when tank is full, resistance is high (150 ohms).

SEE GROUNDS

# Wiring Diagram 9crown Vic Fuel Pump

**Daniel F McAuley**



## Wiring Diagram 9crown Vic Fuel Pump:

**How to Swap Ford Modular Engines into Mustangs, Torinos and More** Dave Stribling, 2017-03-15 The Ford modular engine is a popular swap for 1964-1973 Mustangs, Fox Body Mustangs, trucks, hot rods and other muscle cars because these high tech engines provide exceptional performance and improved economy compared to their dated counterparts. Found in Mustangs and other Fords since the 1990s, installing a modular motor in a classic Ford infuses new technology and all the benefits that come with it into a classic car. Modular engines feature an overhead cam design that has massive horsepower potential and are offered in 4.6, 5.0, 5.2, 5.4 and 5.8 liter iterations. These high tech 2, 3 and 4 valve engines are readily available as a crate engine from salvage yards and in running cars. This engine design has a large physical footprint and swapping the engine requires a thorough plan using the proper tools and facilities. Author Dave Stribling specializes in modular engine swaps and expertly guides you through each crucial step of the engine transplant process. Because of the large physical size, many components such as brake boosters, steering rods and boxes and other underhood components may need repositioning or modification to co-exist in the engine bay. Stribling covers motor mount selection and fabrication, suspension and chassis modifications, aftermarket suspension options, firewall and transmission tunnel modifications, engine management and wiring procedures, fuel systems, exhaust systems, electrical mods and upgrades and much more. Many older Ford muscle and performance cars are prime candidates for a modular swap, however shock towers protrude into the engine bay of these cars so modifications are necessary to fit the engine into the car, which is also covered here. Swapping the engine and transmission into a muscle car or truck requires specialized processes and this insightful explanatory and detailed instruction is found only in this book. If you are considering swapping one of these high tech engines into a non-original chassis, this book is a vital component to the process.

p1 margin: 0px 0px 0px 0px  
font: 12px Arial

**1984 Domestic Cars Tune-up, Mechanical, Service & Repair** Mitchell Manuals, inc, 1984

**Ford Fuel Injection & Electronic Engine Control** Charles O. Probst, 1993 The authoritative hands on book for Ford Engine Control Systems. Author Charles Probst worked directly with Ford engineers, trainers and technicians to bring you expert advice and inside information on the operation of Ford systems. His comprehensive troubleshooting, service procedures and tips will help you master your Ford's engine control system.

**Haynes Ford Crown Victoria 1988-94** Haynes Publishing, Mark Ryan, Haynes Automotive Repair Manual, 1995

**Domestic Cars** Mitchell Manuals, inc, 1987

**Mitchell Electronic Fuel Injection**, 1995

**Chilton's Auto Repair Manual 1990-1994** Chilton Automotive Books, 1993 A guide to maintenance and repair of every mass produced American and Canadian car made between 1990 and 1994.

**Chilton's Auto Repair Manual 1989-1993**, 1992-10 Documents specifications, repairs and servicing procedures for individual models and provides information on component repair and overhaul.

**Chilton's Auto Repair Manual, 1988-1992** Jeff S. Chilton, Chilton Book Company, 1991 Information on repair, replacement and adjustment for major components of American cars, mass produced.

between 1988 and 1992     *Chilton's Auto Repair Manual, 1991* Chilton Book Company,1990     **Chilton's Guide to Emission Diagnosis, Tune-up and Vacuum Diagrams, 1984-87 [i.e. 86] Domestic Cars** Chilton Book Company,1987  
**Cars & Parts** ,2001     **Popular Mechanics** ,1991-03 Popular Mechanics inspires instructs and influences readers to help them master the modern world Whether it s practical DIY home improvement tips gadgets and digital technology information on the newest cars or the latest breakthroughs in science PM is the ultimate guide to our high tech lifestyle  
The Electrical Review ,1925     **The Engineer** ,1859     **Subject Guide to Books in Print** ,1971     **Scientific American** ,1878 Monthly magazine devoted to topics of general scientific interest     **Iron & Coal Trades Review** ,1908 Vol 115 includes Diamond jubilee issue 1867 1927     **Engineering and Mining Journal** ,1878     **English Mechanic and Mirror of Science** ,1875

## Whispering the Techniques of Language: An Emotional Journey through **Wiring Diagram 9crown Vic Fuel Pump**

In a digitally-driven earth where screens reign great and instant communication drowns out the subtleties of language, the profound techniques and psychological subtleties hidden within words often move unheard. However, set within the pages of **Wiring Diagram 9crown Vic Fuel Pump** a captivating fictional prize pulsating with fresh emotions, lies an extraordinary journey waiting to be undertaken. Composed by an experienced wordsmith, that enchanting opus encourages readers on an introspective journey, delicately unraveling the veiled truths and profound impact resonating within the material of each and every word. Within the psychological depths of this moving review, we will embark upon a heartfelt exploration of the book's primary themes, dissect their charming publishing type, and succumb to the effective resonance it evokes heavy within the recesses of readers' hearts.

<http://www.frostbox.com/files/uploaded-files/index.jsp/thera%20putty%20manual.pdf>

### **Table of Contents Wiring Diagram 9crown Vic Fuel Pump**

1. Understanding the eBook Wiring Diagram 9crown Vic Fuel Pump
  - The Rise of Digital Reading Wiring Diagram 9crown Vic Fuel Pump
  - Advantages of eBooks Over Traditional Books
2. Identifying Wiring Diagram 9crown Vic Fuel Pump
  - Exploring Different Genres
  - Considering Fiction vs. Non-Fiction
  - Determining Your Reading Goals
3. Choosing the Right eBook Platform
  - Popular eBook Platforms
  - Features to Look for in an Wiring Diagram 9crown Vic Fuel Pump
  - User-Friendly Interface
4. Exploring eBook Recommendations from Wiring Diagram 9crown Vic Fuel Pump
  - Personalized Recommendations

- Wiring Diagram 9crown Vic Fuel Pump User Reviews and Ratings
- Wiring Diagram 9crown Vic Fuel Pump and Bestseller Lists
- 5. Accessing Wiring Diagram 9crown Vic Fuel Pump Free and Paid eBooks
  - Wiring Diagram 9crown Vic Fuel Pump Public Domain eBooks
  - Wiring Diagram 9crown Vic Fuel Pump eBook Subscription Services
  - Wiring Diagram 9crown Vic Fuel Pump Budget-Friendly Options
- 6. Navigating Wiring Diagram 9crown Vic Fuel Pump eBook Formats
  - ePub, PDF, MOBI, and More
  - Wiring Diagram 9crown Vic Fuel Pump Compatibility with Devices
  - Wiring Diagram 9crown Vic Fuel Pump Enhanced eBook Features
- 7. Enhancing Your Reading Experience
  - Adjustable Fonts and Text Sizes of Wiring Diagram 9crown Vic Fuel Pump
  - Highlighting and Note-Taking Wiring Diagram 9crown Vic Fuel Pump
  - Interactive Elements Wiring Diagram 9crown Vic Fuel Pump
- 8. Staying Engaged with Wiring Diagram 9crown Vic Fuel Pump
  - Joining Online Reading Communities
  - Participating in Virtual Book Clubs
  - Following Authors and Publishers Wiring Diagram 9crown Vic Fuel Pump
- 9. Balancing eBooks and Physical Books Wiring Diagram 9crown Vic Fuel Pump
  - Benefits of a Digital Library
  - Creating a Diverse Reading Collection Wiring Diagram 9crown Vic Fuel Pump
- 10. Overcoming Reading Challenges
  - Dealing with Digital Eye Strain
  - Minimizing Distractions
  - Managing Screen Time
- 11. Cultivating a Reading Routine Wiring Diagram 9crown Vic Fuel Pump
  - Setting Reading Goals Wiring Diagram 9crown Vic Fuel Pump
  - Carving Out Dedicated Reading Time
- 12. Sourcing Reliable Information of Wiring Diagram 9crown Vic Fuel Pump
  - Fact-Checking eBook Content of Wiring Diagram 9crown Vic Fuel Pump

- Distinguishing Credible Sources
- 13. Promoting Lifelong Learning
  - Utilizing eBooks for Skill Development
  - Exploring Educational eBooks
- 14. Embracing eBook Trends
  - Integration of Multimedia Elements
  - Interactive and Gamified eBooks

### **Wiring Diagram 9crown Vic Fuel Pump Introduction**

In today's digital age, the availability of Wiring Diagram 9crown Vic Fuel Pump books and manuals for download has revolutionized the way we access information. Gone are the days of physically flipping through pages and carrying heavy textbooks or manuals. With just a few clicks, we can now access a wealth of knowledge from the comfort of our own homes or on the go. This article will explore the advantages of Wiring Diagram 9crown Vic Fuel Pump books and manuals for download, along with some popular platforms that offer these resources. One of the significant advantages of Wiring Diagram 9crown Vic Fuel Pump books and manuals for download is the cost-saving aspect. Traditional books and manuals can be costly, especially if you need to purchase several of them for educational or professional purposes. By accessing Wiring Diagram 9crown Vic Fuel Pump versions, you eliminate the need to spend money on physical copies. This not only saves you money but also reduces the environmental impact associated with book production and transportation. Furthermore, Wiring Diagram 9crown Vic Fuel Pump books and manuals for download are incredibly convenient. With just a computer or smartphone and an internet connection, you can access a vast library of resources on any subject imaginable. Whether you're a student looking for textbooks, a professional seeking industry-specific manuals, or someone interested in self-improvement, these digital resources provide an efficient and accessible means of acquiring knowledge. Moreover, PDF books and manuals offer a range of benefits compared to other digital formats. PDF files are designed to retain their formatting regardless of the device used to open them. This ensures that the content appears exactly as intended by the author, with no loss of formatting or missing graphics. Additionally, PDF files can be easily annotated, bookmarked, and searched for specific terms, making them highly practical for studying or referencing. When it comes to accessing Wiring Diagram 9crown Vic Fuel Pump books and manuals, several platforms offer an extensive collection of resources. One such platform is Project Gutenberg, a nonprofit organization that provides over 60,000 free eBooks. These books are primarily in the public domain, meaning they can be freely distributed and downloaded. Project Gutenberg offers a wide range of classic literature, making it an excellent resource for literature enthusiasts. Another popular platform for Wiring Diagram 9crown Vic Fuel Pump books and manuals

is Open Library. Open Library is an initiative of the Internet Archive, a non-profit organization dedicated to digitizing cultural artifacts and making them accessible to the public. Open Library hosts millions of books, including both public domain works and contemporary titles. It also allows users to borrow digital copies of certain books for a limited period, similar to a library lending system. Additionally, many universities and educational institutions have their own digital libraries that provide free access to PDF books and manuals. These libraries often offer academic texts, research papers, and technical manuals, making them invaluable resources for students and researchers. Some notable examples include MIT OpenCourseWare, which offers free access to course materials from the Massachusetts Institute of Technology, and the Digital Public Library of America, which provides a vast collection of digitized books and historical documents. In conclusion, Wiring Diagram 9crown Vic Fuel Pump books and manuals for download have transformed the way we access information. They provide a cost-effective and convenient means of acquiring knowledge, offering the ability to access a vast library of resources at our fingertips. With platforms like Project Gutenberg, Open Library, and various digital libraries offered by educational institutions, we have access to an ever-expanding collection of books and manuals. Whether for educational, professional, or personal purposes, these digital resources serve as valuable tools for continuous learning and self-improvement. So why not take advantage of the vast world of Wiring Diagram 9crown Vic Fuel Pump books and manuals for download and embark on your journey of knowledge?

### FAQs About Wiring Diagram 9crown Vic Fuel Pump Books

**What is a Wiring Diagram 9crown Vic Fuel Pump PDF?** A PDF (Portable Document Format) is a file format developed by Adobe that preserves the layout and formatting of a document, regardless of the software, hardware, or operating system used to view or print it. **How do I create a Wiring Diagram 9crown Vic Fuel Pump PDF?** There are several ways to create a PDF: Use software like Adobe Acrobat, Microsoft Word, or Google Docs, which often have built-in PDF creation tools. Print to PDF: Many applications and operating systems have a "Print to PDF" option that allows you to save a document as a PDF file instead of printing it on paper. Online converters: There are various online tools that can convert different file types to PDF. **How do I edit a Wiring Diagram 9crown Vic Fuel Pump PDF?** Editing a PDF can be done with software like Adobe Acrobat, which allows direct editing of text, images, and other elements within the PDF. Some free tools, like PDFescape or Smallpdf, also offer basic editing capabilities. **How do I convert a Wiring Diagram 9crown Vic Fuel Pump PDF to another file format?** There are multiple ways to convert a PDF to another format: Use online converters like Smallpdf, Zamzar, or Adobe Acrobats export feature to convert PDFs to formats like Word, Excel, JPEG, etc. Software like Adobe Acrobat, Microsoft Word, or other PDF editors may have options to export or save PDFs in different formats. **How do I**



**password-protect a Wiring Diagram 9crown Vic Fuel Pump PDF?** Most PDF editing software allows you to add password protection. In Adobe Acrobat, for instance, you can go to "File" -> "Properties" -> "Security" to set a password to restrict access or editing capabilities. Are there any free alternatives to Adobe Acrobat for working with PDFs? Yes, there are many free alternatives for working with PDFs, such as: LibreOffice: Offers PDF editing features. PDFsam: Allows splitting, merging, and editing PDFs. Foxit Reader: Provides basic PDF viewing and editing capabilities. How do I compress a PDF file? You can use online tools like Smallpdf, ILovePDF, or desktop software like Adobe Acrobat to compress PDF files without significant quality loss. Compression reduces the file size, making it easier to share and download. Can I fill out forms in a PDF file? Yes, most PDF viewers/editors like Adobe Acrobat, Preview (on Mac), or various online tools allow you to fill out forms in PDF files by selecting text fields and entering information. Are there any restrictions when working with PDFs? Some PDFs might have restrictions set by their creator, such as password protection, editing restrictions, or print restrictions. Breaking these restrictions might require specific software or tools, which may or may not be legal depending on the circumstances and local laws.

### **Find Wiring Diagram 9crown Vic Fuel Pump :**

[thera putty manual](#)

**thinkwell chemistry answers**

*thermo king tripack service manual*

**their improbable mating paranormal protection unit 3 siren publishing allure**

*thevisitor discussion guide active voice*

**thermo heraeus heracell 150i co2 incubator manual**

**theory of computation sipser solutions 2nd edition**

**therapy after terror 9 11 psychotherapists and mental health**

[their eyes were watching god paper topics](#)

*theacuteories de la motivation au travail*

*the young writers guide to getting published*

**theyamo i love you lyrics chords**

*then along came marcelino journal of a parish priest 2007*

**thermodynamics cambridge university press solution manual**

[the wrath of angels a charlie parker thriller](#)

**Wiring Diagram 9crown Vic Fuel Pump :**

**discover your destiny what would dean winchester download** - Apr 30 2022

web discover your destiny discovering your destiny discover your destiny discover your destiny with the monk who sold his ferrari the 7 stages of self awakening 7 keys to unlocking your life p u r p o s e destined to win discovering your destiny how to discover the purpose of your life fulfill your destiny and live the life of your

**discover your destiny what would dean winchester** - Feb 26 2022

web discover your destiny what would dean winchester as recognized adventure as with ease as experience roughly lesson amusement as well as accord can be gotten by way in the course of them is this discover your destiny what would dean winchester that can be your partner love in the wild emma castle 2020 09 28 a sensual powerful

**discover your destiny what would dean winchester do a** - Aug 15 2023

web aug 2 2016 discover your destiny what would dean winchester do a supernatural self help series book 1 kindle edition by awai yoko download it once and read it on your kindle device pc phones or tablets

**discover your destiny what would dean winchester do a supernatural** - Jul 14 2023

web aug 12 2016 self help series you ll discover how you can use the supernatural fandom to change your life what dean winchester specifically tells you about yourself and your destiny what destiny is and why it matters more than anything else in your life how to define your unique destiny using simple step by step worksheets what to do when

**discover your destiny what would dean winchester do a** - Oct 05 2022

web discover your destiny s3 may 19th 2020 this book is dedicated to sam and dean winchester and the cast and crew that created and developed their 3 discover your destiny 32 4 make your vision a reality 66 in order to discover your unique destiny we will be reflecting through written exercises 200 best muse dean winchester images in 2020

**9781534754898 discover your destiny what would dean winchester** - Dec 07 2022

web abebooks com discover your destiny what would dean winchester do a supernatural self help series 9781534754898 by awai yoko and a great selection of similar new used and collectible books available now at great prices

**discover your destiny what would dean winchester ftp popcake** - Aug 03 2022

web discover your destiny what would dean winchester define yourself and discover your destiny how to discover the purpose of your life fulfill your destiny and live the life of your dreams

**discover your destiny what would dean winchester do a** - Sep 04 2022

web dean winchester do a supernatural self help discover your destiny s3 supernatural season 15 in defense of john winchester winchester tvl parisbytrain com 1 19 supernatural supernatural american tv series which supernatural guy should you date boyfriend quiz dean winchester super wiki the

*pin on quick saves pinterest* - Jan 28 2022

web discover and save your own pins on pinterest save supernatural jokes dean and sam winchester ackles winchester 2k followers supernatural jokes spn memes funny memes sam and dean supernatural sam winchester winchester brothers gabriel sam dean spnfamily

*discover your destiny what would dean winchester* - Jun 01 2022

web 2 discover your destiny what would dean winchester 2019 12 20 your destiny is for anyone seeking to recognize the destiny god has in store for them by rediscovering the joy that hope in the future brings to the

discover your destiny what would dean winchester pdf - Jul 02 2022

web sam and dean winchester lost their mother to a mysterious and demonic supernatural force in the years after their father john taught them about the paranormal evil that lives in the dark corners and on the back roads of america and he taught them how to kill it sam and dean are headed for key west florida home to hemingway hurricanes

*discover your destiny with dean winchester facebook* - Nov 06 2022

web book one in the what would dean winchester do self help series is just 99 on kindle figure out your destiny and start taking action using

discover your destiny by yoko awai goodreads - Feb 09 2023

web discover your destiny book read reviews from world s largest community for readers in this first installation of the what would dean winchester do s

**discover your destiny what would dean winchester do a** - Apr 11 2023

web discover your destiny what would dean winchester do a supernatural self help series 1 yoko awai amazon com au books *amazon com customer reviews discover your destiny what would dean* - Jan 08 2023

web find helpful customer reviews and review ratings for discover your destiny what would dean winchester do a supernatural self help series book 1 at amazon com read honest and unbiased product reviews from our users

**buy discover your destiny 1 what would dean winchester do** - Mar 10 2023

web amazon in buy discover your destiny 1 what would dean winchester do a supernatural self help book online at best prices in india on amazon in read discover your destiny 1 what would dean winchester do a supernatural self help book reviews author details and more at amazon in free delivery on qualified orders

*loading interface goodreads* - Mar 30 2022

web discover and share books you love on goodreads

discover your destiny what would dean winchester do a - May 12 2023

web discover your destiny what would dean winchester do a supernatural self help series book 1 ebook awai yoko amazon in

kindle store

[destiny witcher wiki fandom](#) - Dec 27 2021

web destiny many people believe in the existence of destiny a mysterious force which binds certain people together determining their fates according to believers one can either follow the path of destiny of one s free will or try to resist it although the latter can bring grim consequences on the other hand some feel that destiny is not everything these

*discover your destiny volume 1 what would dean winchester* - Jun 13 2023

web discover your destiny volume 1 what would dean winchester do a supernatural self help series amazon co uk awai yoko 9781534754898 books young adult personal health buy new 4 37 free returns free delivery friday 21 july on your first order to uk or ireland details or fastest delivery tomorrow 19 july order within 16 hrs

**emergency radiology the requisites 2nd edition elsevier** - Oct 07 2023

web feb 13 2016 purchase emergency radiology the requisites 2nd edition print book e book isbn 9780323376402 9780323390088 books journals browse by subject back discover books journals by subject save 50 on book bundles

**emergency radiology the requisites e book requisi david** - Mar 20 2022

web emergency radiology the requisites e book requisi if you ally compulsion such a referred emergency radiology the requisites e book requisi books that will give

*emergency radiology the requisites 2nd edition libribook* - Jan 30 2023

web jun 8 2016 john murtagh s general practice mahajan s methods in biostatistics for medical students and research workers emergency radiology the requisites 2nd

*emergency radiology the requisites e book requisi* - Sep 25 2022

web thoracic radiology the requisites e book sep 30 2021 as part of the successful the requisites series the second edition of thoracic radiology the requisites by

**emergency radiology the requisites e book google books** - Sep 06 2023

web jun 2 2009 emergency radiology the requisites e book jorge a soto brian c lucey elsevier health sciences jun 2 2009 medical 416 pages 0 reviews reviews aren t

**emergency radiology the requisites jvir org** - Nov 27 2022

web emergency radiology the requisites jorge a soto and brian c lucey philadelphia mosby 2009 102 00 hardcover 397 pp emergency radiology the requisites by

**emergency radiology the requisites e book requisi** - May 22 2022

web it will not waste your time consent me the e book will totally vent you extra business to read just invest little times to entrance this on line publication emergency radiology

**emergency radiology the requisites e book requisi pdf** - Jul 24 2022

web apr 23 2023 emergency radiology the requisites e book requisi 2 15 downloaded from uniport edu ng on april 23 2023 by guest to make an accurate diagnosis in the

**emergency radiology the requisites google books** - Jun 03 2023

web part of the popular requisitesemergency radiology the requisites delivers the conceptual factual and interpretive information you need for effective clinical practice in

**emergency radiology the requisites e book requisi download** - Jun 22 2022

web emergency radiology the requisites e book requisi 3 3 practical and concise this manual is a quick go to reference for up to date clinical material on today s diagnostic

**emergency radiology the requisites e book requisi** - Apr 20 2022

web to get the most less latency era to download any of our books past this one merely said the emergency radiology the requisites e book requisi is universally compatible

*emergency radiology the requisites 2nd edition kitabı* - Dec 29 2022

web get the essential tools you need to make an accurate diagnosis in the emergency department part of the popular requisites series emergency radiology the

**emergency radiology the requisites radiology rsna** - May 02 2023

web nov 1 2010 stanley l parker radiology 1996 vascular and interventional radiology the requisites radiology 2006 early warning of emerging infectious diseases based

[emergency radiology the requisites e book google books](#) - Jan 18 2022

web get the essential tools you need to make an accurate diagnosis in the emergency department part of the popular requisites series emergency radiology the

*emergency radiology the requisites ajr* - Apr 01 2023

web as the newest addition to the requisites series emergency radiology attempts to distill the basic concepts of the conditions most commonly encountered in the emergency

**emergency radiology the requisites google books** - Feb 16 2022

web jan 1 2009 the requisites series you know and trust for studying and rotation preparation presents this essential text on emergency radiology it provides the

*emergency radiology the requisites e book requisi pdf* - Aug 25 2022

web ferri s clinical advisor 2023 e book emergency imaging case review e book problem solving in emergency radiology e book vascular and interventional radiology the

[emergency radiology the requisites requisites in radiology](#) - Jul 04 2023

web apr 29 2016 get the essential tools you need to make an accurate diagnosis in the emergency department part of the popular requisites series emergency radiology

**emergency radiology the requisites radiology rsna** - Dec 17 2021

web nov 1 2010 if the address matches an existing account you will receive an email with instructions to reset your password

[emergency radiology the requisites google books](#) - Aug 05 2023

web feb 13 2016 get the essential tools you need to make an accurate diagnosis in the emergency department part of the popular requisites series emergency radiology

[emergency radiology digital the requisites searchworks catalog](#) - Feb 28 2023

web select search scope currently catalog all catalog articles website more in one search catalog books media more in the stanford libraries collections articles journal

**emergency radiology the requisites e book requisi pdf** - Oct 27 2022

web emergency radiology the requisites e book jan 15 2023 the requisites series you know and trust for studying and rotation preparation presents this essential text on

**umgang mit sterbefasten fälle aus der praxis by christiane zur** - Jan 28 2022

web yolculuk sırasında yanınızda bulunması gerekenler ayrı bir çantada yanınızda olacak şekilde fazladan insülin fazladan ikinci bir insülin kalemi veya insülin enjektörleri

**amazon com customer reviews umgang mit sterbefasten fälle** - Jun 01 2022

web apr 14 2023 umgang mit sterbefasten falle aus der praxis 1 8 downloaded from uniport edu ng on april 14 2023 by guest umgang mit sterbefasten falle aus der

**umgang mit sterbefasten fälle aus der praxis ebook** - Feb 09 2023

web umgang mit sterbefasten fälle aus der praxis finden sie alle bücher von bei der büchersuchmaschine eurobuch com können sie antiquarische und neubücher

[sterbefasten als weg zu einem eigenverantwortlichen sterben](#) - Nov 25 2021

[umgang mit sterbefasten fälle aus der praxis google books](#) - May 12 2023

web umgang mit sterbefasten fälle aus der praxis 06 10 2023 07 10 2023 jeweils 09 00 16 00 uhr palliative care multiprofessionell kommunikation lebens art und

[umgang mit sterbefasten falle aus der praxis pdf](#) - Apr 30 2022

web buchtipp umgang mit sterbefasten fälle aus der praxis was ist sterbefasten sterbefasten sterbebegleitung im erzbistum köln beispiel aus der praxis zum umgang

*umgang mit sterbefasten fälle aus der praxis* - Nov 06 2022

web 4 umgang mit sterbefasten falle aus der praxis 2022 10 18 gerbert van loenen zeigt warum er erläutert die historischen debatten zur legalisierung aktiver sterbehilfe in den

*umgang mit sterbefasten fälle aus der praxis paperback* - Sep 04 2022

web find helpful customer reviews and review ratings for umgang mit sterbefasten fälle aus der praxis german edition at amazon com read honest and unbiased product

**umgang mit sterbefasten fälle aus der praxis richtig eurobuch** - Dec 07 2022

web umgang mit sterbefasten fälle aus der praxis amazon com au books skip to main content com au hello select your address books hello sign in account lists returns

**umgang mit sterbefasten falle aus der praxis** - Jul 02 2022

web umgang mit sterbefasten fälle aus der praxis ayurveda amp kalari praxis berlin fortbildungsdetails tagung strebefasten 2018 palliative zh sh buchtipp umgang mit

*umgang mit sterbefasten fälle aus der praxis palliativ und* - Mar 10 2023

web umgang mit sterbefastenfälle aus der praxis isbn 9783863214289 zur nieden christiane zur nieden hans christophkartoniert2 aufl deutsch2020 mabuse verlag

*diyabet hastalarının uçuş öncesi ve esnasında yapması gerekenler* - Oct 25 2021

[umgang mit sterbefasten fälle aus der praxis amazon com tr](#) - Jun 13 2023

web seit der veröffentlichung ihres erfolgsbuches sterbefasten in dem christiane zur nieden den prozess des sterbefastens ihrer mutter liebevoll und eindringlich schilderte haben

**umgang mit sterbefasten fälle aus der praxis kindle** - Jul 14 2023

web die geschichten zeigen dass auch medizinische laien die begleitung von sterbefastenden durchführen können und machen dabei deutlich wie individuell der prozess ablaufen

**umgang mit sterbefasten fälle aus der praxis by christiane zur** - Mar 30 2022

web 2 umgang mit sterbefasten falle aus der praxis 2021 02 15 verhüten gilt eine selbstbestimmte existenz wird mit selbstopтимierung gleichgesetzt und sei es auch um

[umgang mit sterbefasten falle aus der praxis copy](#) - Dec 27 2021

**umgang mit sterbefasten fälle aus der praxis amazon fr** - Oct 05 2022

web umgang mit sterbefasten falle aus der praxis core themes of land use politics apr 01 2020 the european faculty of land use and development is committed to an

**umgang mit sterbefasten fälle aus der praxis** - Jan 08 2023

web umgang mit sterbefasten fälle aus der praxis christiane zur nieden hans christoph zur nieden amazon fr livres

*umgang mit sterbefasten falle aus der praxis pdf uniport edu* - Feb 26 2022

web das sterbefasten ist der selbstbestimmte verzicht auf nahrung und flüssigkeit und so ein weg einen würdevollen tod in die eigene hand zu nehmen es erspart dem menschen

**umgang mit sterbefasten mabuse verlag** - Apr 11 2023

web may 29 2019 seit der ver 246 ffentlichung ihres erfolgsbuches sterbefasten in dem christiane zur nieden den prozess des sterbefastens ihrer mutter liebevoll und

**umgang mit sterbefasten falle aus der praxis download only** - Aug 03 2022

web und einzelne fragen werden im laufe der zeit wiederholt gestellt dabei zeigt sich nicht zuletzt der wandel im umgang mit dem menschlichen leben von seinen anfängen bis

*umgang mit sterbefasten fälle aus der praxis* - Aug 15 2023

web umgang mit sterbefasten fälle aus der praxis christiane zur nieden hans christoph zur nieden amazon com tr kitap