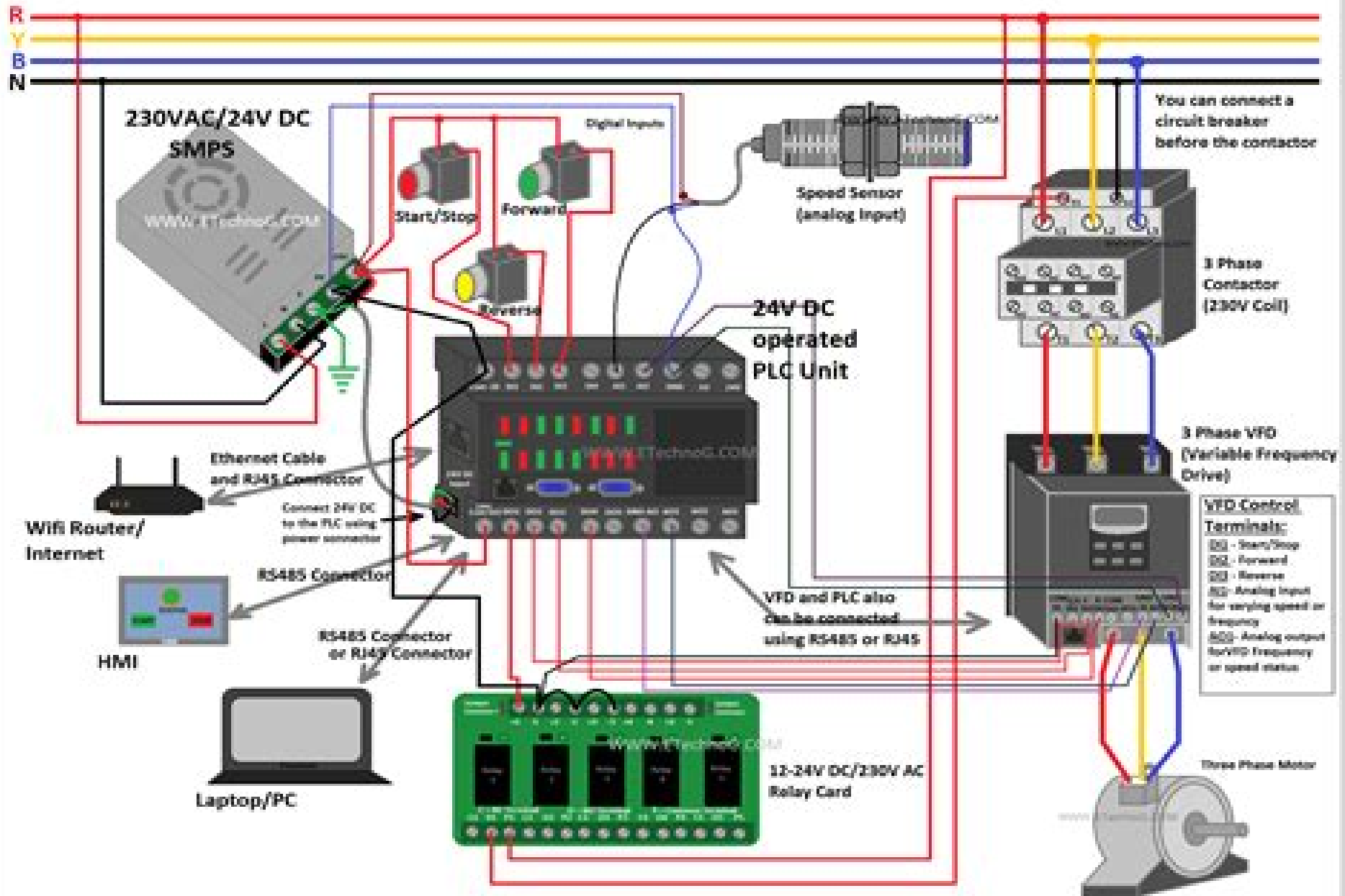


Figure. 01

Complete PLC Wiring Diagram with SMPS, Relay Card, Contactor, VFD, HMI, Computer, Inputs, Outputs, Internet



Wiring Diagram For 1997suzuki

M Mosston



Wiring Diagram For 1997suzuki:

Embark on a transformative journey with is captivating work, **Wiring Diagram For 1997suzuki** . This enlightening ebook, available for download in a convenient PDF format Download in PDF: , invites you to explore a world of boundless knowledge. Unleash your intellectual curiosity and discover the power of words as you dive into this riveting creation. Download now and elevate your reading experience to new heights .

<http://www.frostbox.com/results/detail/index.jsp/Solution%20Manual%20Genetics%20Russell.pdf>

Table of Contents Wiring Diagram For 1997suzuki

1. Understanding the eBook Wiring Diagram For 1997suzuki
 - The Rise of Digital Reading Wiring Diagram For 1997suzuki
 - Advantages of eBooks Over Traditional Books
2. Identifying Wiring Diagram For 1997suzuki
 - Exploring Different Genres
 - Considering Fiction vs. Non-Fiction
 - Determining Your Reading Goals
3. Choosing the Right eBook Platform
 - Popular eBook Platforms
 - Features to Look for in an Wiring Diagram For 1997suzuki
 - User-Friendly Interface
4. Exploring eBook Recommendations from Wiring Diagram For 1997suzuki
 - Personalized Recommendations
 - Wiring Diagram For 1997suzuki User Reviews and Ratings
 - Wiring Diagram For 1997suzuki and Bestseller Lists
5. Accessing Wiring Diagram For 1997suzuki Free and Paid eBooks
 - Wiring Diagram For 1997suzuki Public Domain eBooks
 - Wiring Diagram For 1997suzuki eBook Subscription Services
 - Wiring Diagram For 1997suzuki Budget-Friendly Options

6. Navigating Wiring Diagram For 1997suzuki eBook Formats
 - ePub, PDF, MOBI, and More
 - Wiring Diagram For 1997suzuki Compatibility with Devices
 - Wiring Diagram For 1997suzuki Enhanced eBook Features
7. Enhancing Your Reading Experience
 - Adjustable Fonts and Text Sizes of Wiring Diagram For 1997suzuki
 - Highlighting and Note-Taking Wiring Diagram For 1997suzuki
 - Interactive Elements Wiring Diagram For 1997suzuki
8. Staying Engaged with Wiring Diagram For 1997suzuki
 - Joining Online Reading Communities
 - Participating in Virtual Book Clubs
 - Following Authors and Publishers Wiring Diagram For 1997suzuki
9. Balancing eBooks and Physical Books Wiring Diagram For 1997suzuki
 - Benefits of a Digital Library
 - Creating a Diverse Reading Collection Wiring Diagram For 1997suzuki
10. Overcoming Reading Challenges
 - Dealing with Digital Eye Strain
 - Minimizing Distractions
 - Managing Screen Time
11. Cultivating a Reading Routine Wiring Diagram For 1997suzuki
 - Setting Reading Goals Wiring Diagram For 1997suzuki
 - Carving Out Dedicated Reading Time
12. Sourcing Reliable Information of Wiring Diagram For 1997suzuki
 - Fact-Checking eBook Content of Wiring Diagram For 1997suzuki
 - Distinguishing Credible Sources
13. Promoting Lifelong Learning
 - Utilizing eBooks for Skill Development
 - Exploring Educational eBooks
14. Embracing eBook Trends
 - Integration of Multimedia Elements

- Interactive and Gamified eBooks

Wiring Diagram For 1997suzuki Introduction

Free PDF Books and Manuals for Download: Unlocking Knowledge at Your Fingertips In today's fast-paced digital age, obtaining valuable knowledge has become easier than ever. Thanks to the internet, a vast array of books and manuals are now available for free download in PDF format. Whether you are a student, professional, or simply an avid reader, this treasure trove of downloadable resources offers a wealth of information, conveniently accessible anytime, anywhere. The advent of online libraries and platforms dedicated to sharing knowledge has revolutionized the way we consume information. No longer confined to physical libraries or bookstores, readers can now access an extensive collection of digital books and manuals with just a few clicks. These resources, available in PDF, Microsoft Word, and PowerPoint formats, cater to a wide range of interests, including literature, technology, science, history, and much more. One notable platform where you can explore and download free Wiring Diagram For 1997suzuki PDF books and manuals is the internet's largest free library. Hosted online, this catalog compiles a vast assortment of documents, making it a veritable goldmine of knowledge. With its easy-to-use website interface and customizable PDF generator, this platform offers a user-friendly experience, allowing individuals to effortlessly navigate and access the information they seek. The availability of free PDF books and manuals on this platform demonstrates its commitment to democratizing education and empowering individuals with the tools needed to succeed in their chosen fields. It allows anyone, regardless of their background or financial limitations, to expand their horizons and gain insights from experts in various disciplines. One of the most significant advantages of downloading PDF books and manuals lies in their portability. Unlike physical copies, digital books can be stored and carried on a single device, such as a tablet or smartphone, saving valuable space and weight. This convenience makes it possible for readers to have their entire library at their fingertips, whether they are commuting, traveling, or simply enjoying a lazy afternoon at home. Additionally, digital files are easily searchable, enabling readers to locate specific information within seconds. With a few keystrokes, users can search for keywords, topics, or phrases, making research and finding relevant information a breeze. This efficiency saves time and effort, streamlining the learning process and allowing individuals to focus on extracting the information they need. Furthermore, the availability of free PDF books and manuals fosters a culture of continuous learning. By removing financial barriers, more people can access educational resources and pursue lifelong learning, contributing to personal growth and professional development. This democratization of knowledge promotes intellectual curiosity and empowers individuals to become lifelong learners, promoting progress and innovation in various fields. It is worth noting that while accessing free Wiring Diagram For 1997suzuki PDF books and manuals is convenient and cost-effective, it is vital to respect copyright laws and intellectual property rights. Platforms offering free downloads often operate within legal

boundaries, ensuring that the materials they provide are either in the public domain or authorized for distribution. By adhering to copyright laws, users can enjoy the benefits of free access to knowledge while supporting the authors and publishers who make these resources available. In conclusion, the availability of Wiring Diagram For 1997suzuki free PDF books and manuals for download has revolutionized the way we access and consume knowledge. With just a few clicks, individuals can explore a vast collection of resources across different disciplines, all free of charge. This accessibility empowers individuals to become lifelong learners, contributing to personal growth, professional development, and the advancement of society as a whole. So why not unlock a world of knowledge today? Start exploring the vast sea of free PDF books and manuals waiting to be discovered right at your fingertips.

FAQs About Wiring Diagram For 1997suzuki Books

How do I know which eBook platform is the best for me? Finding the best eBook platform depends on your reading preferences and device compatibility. Research different platforms, read user reviews, and explore their features before making a choice. Are free eBooks of good quality? Yes, many reputable platforms offer high-quality free eBooks, including classics and public domain works. However, make sure to verify the source to ensure the eBook credibility. Can I read eBooks without an eReader? Absolutely! Most eBook platforms offer web-based readers or mobile apps that allow you to read eBooks on your computer, tablet, or smartphone. How do I avoid digital eye strain while reading eBooks? To prevent digital eye strain, take regular breaks, adjust the font size and background color, and ensure proper lighting while reading eBooks. What the advantage of interactive eBooks? Interactive eBooks incorporate multimedia elements, quizzes, and activities, enhancing the reader engagement and providing a more immersive learning experience. Wiring Diagram For 1997suzuki is one of the best book in our library for free trial. We provide copy of Wiring Diagram For 1997suzuki in digital format, so the resources that you find are reliable. There are also many Ebooks of related with Wiring Diagram For 1997suzuki. Where to download Wiring Diagram For 1997suzuki online for free? Are you looking for Wiring Diagram For 1997suzuki PDF? This is definitely going to save you time and cash in something you should think about.

Find Wiring Diagram For 1997suzuki :

[solution manual genetics russell](#)

[solution accounting principles](#)

[solution manual accounting informations system](#)

solution manual for random signals

solid year ack 201a keyboards owners manual

solution manual for brock biology of microorganisms

solution manual for discrete mathematics and its applications 6th edition

solution manual financial accounting volume 1 valix 2012

solution manual chemical process control george stephanopoulos

solution manual for eighth edition serway jewett

solid year ack 2080um keyboards owners manual

solution manual digital control engineering analysis

solidworks guide tutorials

solution manual computer networks 2

solution focused therapy manual

Wiring Diagram For 1997suzuki :

link belt htt 8690 specifications cranemarket - Sep 22 2022

web title operator manual for linkbelt 8690 pdf cpanel urbnleaf com subject operator manual for linkbelt 8690 pdf created date 10 9 2023 2 39 17 am

technical data link belt cranes - Oct 04 2023

web link belt cranes htc 8690lb technical data specifications capacities telescopic boom truck crane 90 us ton 81 6 metric ton caution this material is supplied for

htc 8690 link belt cranes - Jul 01 2023

web operator s manual operation and safety 10 the combined weight of the work platform any at 1 the operator s manual for the crane shall be read tachment device

operator manual for linkbelt 8690 pdf cpanel urbnleaf - Jul 21 2022

web 2 operator manual for linkbelt 8690 2021 04 07 witnessed a government sponsored genocide where the number one weapon wasn t bullets it was water the janjaweed

link belt cranes htc 8690 manuals operator manual - Oct 24 2022

web see load chart specs capacity size and other technical data for link belt htc 8690 crane manufactured between 2017 2023 see information like max carrying capacity 74 57t

link belt model htc 8690 90 ton capacity sterling - Apr 29 2023

web htc 8690 rev june 05 1 link belt model htc 8690 90 ton capacity transportation specs hydraulic truck cranes component weights lbs

[link belt htc 8690 specifications cranemarket](#) - Jan 27 2023

web link belt htc 8690 lb owner operator maintenance manual 142 02 original factory manual used as a guide to operate your equipment condition used please call us toll

[for sales use only htc 8690 free crane specs](#) - Jan 15 2022

web 2 operator manual for linkbelt 8690 2023 09 20 of sophisticated art and light hearted text lends this book particular distinction publishers weekly the illustrations use

[link belt excavators htc 8690 manuals operator](#) - Dec 14 2021

[operator manual for linkbelt 8690 copy secure mowtampa](#) - May 19 2022

web link belt cranes htc 8690 technical data specifications capacities telescopic boom truck crane 90 ton 81 6 metric ton caution this material is supplied for reference

[link belt htc 8690 load chart and specifications raptor](#) - Mar 17 2022

web not for crane operations htc 8690 1 of 244 n3p0138 serial number crane rating manual htc 8690 5 section boom for replacement order part number

[link belt htc 8690 crane load chart specs 2017 2023](#) - Aug 22 2022

web this operator manual for linkbelt 8690 can be taken as capably as picked to act the engagement of professional services barry butcher 2023 03 09 miss spider s tea

[technicaldata link belt cranes](#) - Apr 17 2022

web featuring an automated manual transmission no clutch pedal and state of the art operators cab the link belt htc 8690 is one of the most advanced cranes in the link

[operator manual for linkbelt 8690 controlplane themintgaming](#) - Nov 12 2021

link belt htc 8690 90 ton 81 6 mt hydraulic truck crane - Feb 25 2023

web the 90 ton imperial ust link belt htc 8690 hydraulic telescopic boom truck cranes features a 38 140 ft 11 6 42 7 m five section full power latching boom with no charted

link belt htc 8690 crane overview and specifications - Dec 26 2022

web link belt htc 8690 owner operator maintenance manual 143 37 add to cart harley davidson is the finest company in the world evel knievel original factory dealership

[htc8690 operators manua pdf crane machine rope scribd](#) - May 31 2023

web operator must refer to the in cab information for crane operation rated lifting capacities shown on fully extended outriggers do not exceed 85 of the tipping loads and on tires

[5759 htc 8690lb link belt cranes](#) - Sep 03 2023

web operator s manual section 1 operating instructions 1 1 figure 1 1 1 five section boom 2 upper operator s cab 3 front winch 4 rear winch 5 pin on counterweight 6 rear

link belt model htc 8690 90 ton capacity sterling - Mar 29 2023

web the htc all wheel steer provides outstanding on site mobility 90 tons 81 65 mt at 8 ft 2 44 m radius 38 140 ft 11 6 42 7 m five section full power latching boom with no

[link belt htc 8690 crane overview and specifications](#) - Feb 13 2022

web original factory dealership manuals for link belt excavators htc 8690 by diy repair manuals best selection and lowest prices on operator manual service repair

[1120 htc 8690 n3 crane repair service worldwide](#) - Aug 02 2023

web next generation operator s cab with improved visibility and ergonomics pull out cabwalk for easy access to and from the operator s cab integral air conditioning

[operator manual for linkbelt 8690 app piphany com](#) - Jun 19 2022

web link belt cranes htc 8690 technical data specifications capacities telescopic boom truck terrain crane 90 ton 81 60 metric ton caution this material is

link belt htc 8690 lb owner operator maintenance manual - Nov 24 2022

web the link belt htc 8690 is a 90 7 656 6 kg maximum winch line pull 480 fpm 146 3 m min maximum winch line speed next generation operator s cab with improved

exhibition art graphics and space design hardcover amazon ca - Apr 02 2022

web exhibition art graphics and space design shaoqiang wang 9788416504497 books amazon ca

exhibition design books designer - May 15 2023

web aug 16 2016 exhibition art graphics and space design features over sixty of the world s most creative exhibition designs including fascinating space design solutions and sophisticated graphic design ideas the examples range from extraordinarily large events such as a world s fair exposition to small one artist solo shows aug 9 2016

art exhibitions in istanbul during 2023 2024 ocula - Jun 04 2022

web pi artworks istanbul 21 september 25 november 2023 group exhibition 2019 zilberman istanbul 17 september 22 october 2023 mehmet ali uysal coule pi artworks istanbul see upcoming art exhibitions in istanbul during 2023 2024

exhibition design tag archdaily - Dec 10 2022

web sep 15 2023 discover the latest architecture news and projects on exhibition design at archdaily the world s largest architecture website stay up to date with articles and updates on the newest developments

the art of exhibition design getty news - Mar 13 2023

web the art of exhibition design getty news 2022 article sharing the process of how getty exhibitions are designed jessica harden getty s head of design takes us behind the scenes

exhibition art graphics and space design open library - Oct 08 2022

web dec 19 2022 240 subjects exhibitions commercial art art exhibitions graphic design typography catalogs history design showing 1 featured edition view all 1

exhibition art graphics space design abebooks - Jan 31 2022

web exhibition art graphics and space design by wang shaoqiang and a great selection of related books art and collectibles available now at abebooks co uk

free exhibition art graphics and space design - Nov 09 2022

web exhibition art graphics and space design the senses mar 20 2021 a powerful reminder to anyone who thinks design is primarily a visual pursuit the senses accompanies a major exhibition at the cooper hewitt smithsonian design museum that explores how space materials sound and light affect the mind and body

exhibition art graphics and space design pasta dura - Apr 14 2023

web this book meant for exhibition designers graphic designers curators and event organizers collects over sixty of the world s most creative exhibition designs including fascinating space design solutions and sophisticated graphic design ideas

exhibition art graphics and space design 9788416504497 - Aug 06 2022

web exhibition art graphics and space design shaoqiang wang published by promopress 2016 isbn 10 8416504490 isbn 13 9788416504497 used hardcover quantity 1 seller blue rock books marbella ma spain rating seller rating book description hardcover condition used good seller inventory 9788416504497

exhibition art graphics and space design goodreads - Jul 17 2023

web this book meant for exhibition designers graphic designers curators and event organizers collects over sixty of the world s most creative exhibition designs including fascinating space design solutions and sophisticated graphic design ideas

exhibition art graphics and space design alibris - Feb 12 2023

web this book meant for exhibition designers graphic designers curators and event organizers collects over sixty of the world s most creative exhibition designs including fascinating space design solutions and sophisticated graphic design ideas

exhibition art graphics and space design graphisme - Sep 07 2022

web this book meant for exhibition designers graphic designers curators and event organizers collects over sixty of the world's most creative exhibition designs including fascinating space design solutions and sophisticated graphic design ideas
art exhibition wikipedia - May 03 2022

web types of exhibitions exhibition space being readied for a show at the arthur m sackler gallery there are different kinds of art exhibitions in particular there is a distinction between commercial and non commercial exhibitions a commercial exhibition or trade fair is often referred to as an art fair that shows the work of artists or art dealers where
exhibition art graphics and space design on behance - Sep 19 2023

web may 24 2016 exhibition art graphics and space design collects almost 100 most creative exhibition design including fascinating space design and sophisticated graphic design it will surely serve as a significant guidebook for exhibition designers graphic designers curators and event organizers
studio arc designs postal museum s dressed to deliver exhibition - Mar 01 2022

web 19 hours ago by abbey bamford october 19 2023 1 21 pm edinburgh based design consultancy studio arc has developed the 3d and 2d design for the postal museum's new exhibition dressed to deliver which demonstrates the evolution of britain's postal uniform initial concepts for the exhibition were family focused and realised through a very
[exhibition art graphics and space design amazon.com](#) - Aug 18 2023

web aug 16 2016 this book meant for exhibition designers graphic designers curators and event organizers collects over sixty of the world's most creative exhibition designs including fascinating space design solutions and sophisticated graphic design ideas

exhibition design bridging the knowledge gap researchgate - Jul 05 2022

web feb 28 2010 pdf this article considers the changing role of exhibition design and its contribution to interpretation in the increasingly audience centred museum find read and cite all the
[exhibition art graphics and space design hardcover](#) - Jan 11 2023

web aug 16 2016 this book meant for exhibition designers graphic designers curators and event organizers collects over sixty of the world's most creative exhibition
architecture of exhibition spaces 23 art galleries around the world - Jun 16 2023

web may 15 2020 we have selected 23 art gallery projects around the world with different design solutions that lead to different ways of exhibiting check below terrassenhaus berlin brandlhuber emde
the organic chemistry of biological pathways second edition - Feb 17 2022

web the organic chemistry of biological pathways is an excellent supplement to the chemistry student's textbooks for organic chemistry or biochemistry since this work is

the organic chemistry of biological pathways hardcover - Mar 21 2022

web dec 11 2015 the organic chemistry of biological pathways was written for an audience of advanced undergraduates and graduate students who want a deeper

the organic chemistry of biological pathways google books - May 03 2023

web dec 11 2015 the organic chemistry of biological pathways john e mcmurry macmillan learning dec 11 2015 science 576 pages this textbook was written for

the organic chemistry of biological pathways hardcover - Sep 26 2022

web feb 1 2005 the organic chemistry of biological pathways j mcmurry t begley published 1 february 2005 chemistry no paper link available save to library

the organic chemistry of biological pathways rsc - Oct 08 2023

web its objective is to build a bridge between biochemistry and mechanistic organic chemistry it is written for advanced undergraduates and graduate students studying biological

the organic chemistry of biological pathway request pdf - May 23 2022

web dec 11 2015 the organic chemistry of biological pathways by john e mcmurry and tadhg p begley 0 ratings 2 want to read 1 currently reading 0 have read this

the organic chemistry of biological pathways open library - Apr 21 2022

web amazon in buy the organic chemistry of biological pathways book online at best prices in india on amazon in read the organic chemistry of biological pathways

the organic chemistry of biological pathways amazon com - Nov 28 2022

web dec 31 2022 the organic chemistry of biological pathways by john e mcmurry 2005 roberts and co publishers edition in english

the organic chemistry of biological pathways open library - Oct 28 2022

web intended for advanced undergraduates and graduate students in all areas of biochemistry the organic chemistry of biological pathways provides an accurate treatment of the

the organic chemistry of biological pathways mcmurry john - Jul 05 2023

web nov 3 2006 the biological pathways of the title of this book could to someone who is physiologically inclined imply neural endocrine vascular absorptive excretory

the organic chemistry of biological pathways semantic scholar - Aug 26 2022

web feb 1 2005 4 14 36 ratings 3 reviews intended for advanced undergraduates and graduate students in all areas of biochemistry the organic chemistry of biological

the organic chemistry of biological pathways mcmurry john - Mar 01 2023

web students get free shipping when you rent or buy the organic chemistry of biological pathways 2nd from macmillan learning available in hardcopy e book other digital

pdf the organic chemistry of biological pathways mcmurry - Jun 23 2022

web request pdf on feb 1 2005 john mcmurry and others published the organic chemistry of biological pathway find read and cite all the research you need on

the organic chemistry of biological pathways goodreads - Jul 25 2022

web the approach here is to first give a sum pages each the organic chemistry of biological pathways be mary outline of a pathway and then provide in a play by play

the organic chemistry of biological pathways nhbs - Nov 16 2021

the organic chemistry of biological pathways mcmurry john - Jun 04 2023

web the organic chemistry of biological pathways intended for advanced undergraduates and graduate students in all areas of biochemistry the organic chemistry of

the organic chemistry of biological pathways rsc - Sep 07 2023

web chemistry the organic chemistry of biological pathways request a sample or learn about ordering options for the organic chemistry of biological pathways 2nd edition

the organic chemistry of biological pathways macmillan learning - Jan 31 2023

web nov 1 2005 the organic chemistry of biological pathways john e mcmurry and tadhg p begley november 2005 authors alan rosan drew university abstract this

the organic chemistry of biological pathways - Aug 06 2023

web mar 19 2022 xxi 490 p 25 cm includes bibliographical references and index common mechanisms in biological chemistry biomolecules lipid metabolism

the organic chemistry of biological pathways by john e - Dec 18 2021

web organic mechanisms in biological chemistry 2 biomolecules and their chirality 3 lipids and their metabolism 5 amino acid metabolism 6 nucleotide metabolism 7

the organic chemistry of biological pathways - Jan 19 2022

web dec 11 2015 buy the organic chemistry of biological pathways by john e mcmurry our new books come with free delivery in the uk isbn 9781936221561 isbn 10

the organic chemistry of biological pathways google books - Apr 02 2023

web nov 1 2005 this modern comprehensive dense and beautifully presented book has one goal to make explicit the mechanistic organic chemistry underlying fundamental

the organic chemistry of biological pathways john e - Dec 30 2022

web dec 11 2015 the authors begin the book with a brief review chapter on the fundamental organic reaction mechanisms commonly found in biochemical pathways following this