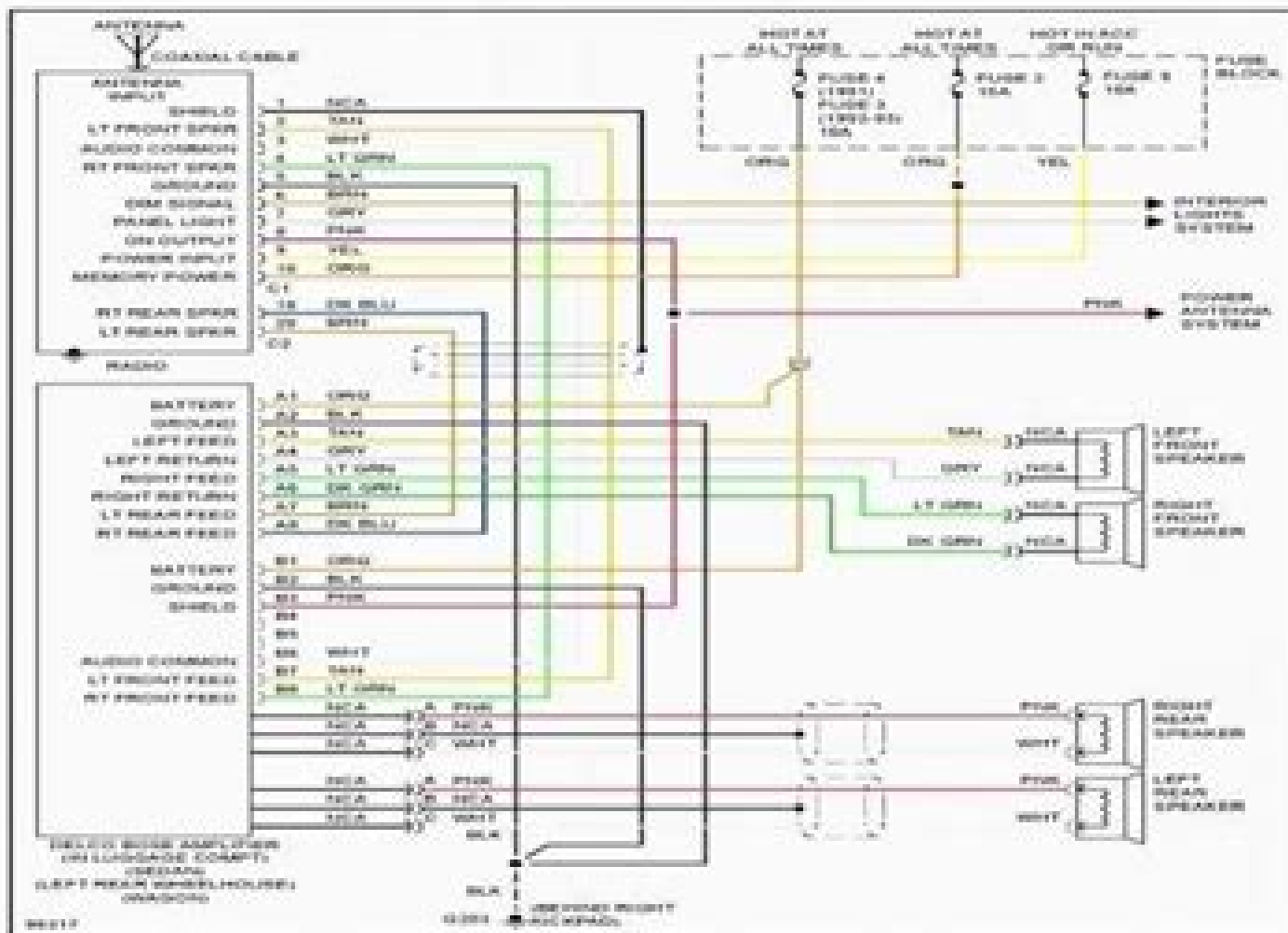


1993 Chevrolet Caprice Classic L5
SYSTEM WIRING DIAGRAM
Fig. 12: Radio Circuits, W/ Delco Boss



Wiring Diagram For 2002 Crown Vic

RD Boyd



Wiring Diagram For 2002 Crown Vic:

2002 Wiring Diagrams Ford Motor Company,2001 **Chilton's Guide to Air Conditioning Repair and Service** ,1990
Mitchell Domestic Cars Service & Repair, 1993 ,1993 *Mitchell Electronic Fuel Injection* ,1995 **Crown Victoria**
Grand Marquis 1999 Wiring Diagrams ,1998 **Subject Guide to Books in Print** ,2001 **Index de Périodiques**
Canadiens ,1964 *Paperbound Books in Print* ,1992 *The Official Gazette of British Guiana* British Guiana,1903
New South Wales Government Gazette ,1884 **The Mining Journal, Railway and Commercial Gazette** ,1907
The Encyclopaedia Britannica ... ,1903 Chilton's Auto Repair Manual ,1993 Each edition includes information for that
year and several previous years **Popular Mechanics** ,1944-07 Popular Mechanics inspires instructs and influences
readers to help them master the modern world Whether it s practical DIY home improvement tips gadgets and digital
technology information on the newest cars or the latest breakthroughs in science PM is the ultimate guide to our high tech
lifestyle *The New York Times Index* ,2002 **The Encyclopaedia Britannica** Thomas Spencer Baynes,1903 The
New Volumes of the Encyclopaedia Britannica ,1903 **The New Volumes of the Encyclopaedia Britannica** ,1903
Host Bibliographic Record for Boundwith Item Barcode 30112047793085 and Others ,1903 *The Tramway Review*
,2001

Uncover the mysteries within Crafted by is enigmatic creation, **Wiring Diagram For 2002 Crown Vic** . This downloadable ebook, shrouded in suspense, is available in a PDF format (Download in PDF: *). Dive into a world of uncertainty and anticipation. Download now to unravel the secrets hidden within the pages.

http://www.frostbox.com/results/Resources/HomePages/solution_manual_engineering_economy_7th_edition_lsl.pdf

Table of Contents Wiring Diagram For 2002 Crown Vic

1. Understanding the eBook Wiring Diagram For 2002 Crown Vic
 - The Rise of Digital Reading Wiring Diagram For 2002 Crown Vic
 - Advantages of eBooks Over Traditional Books
2. Identifying Wiring Diagram For 2002 Crown Vic
 - Exploring Different Genres
 - Considering Fiction vs. Non-Fiction
 - Determining Your Reading Goals
3. Choosing the Right eBook Platform
 - Popular eBook Platforms
 - Features to Look for in an Wiring Diagram For 2002 Crown Vic
 - User-Friendly Interface
4. Exploring eBook Recommendations from Wiring Diagram For 2002 Crown Vic
 - Personalized Recommendations
 - Wiring Diagram For 2002 Crown Vic User Reviews and Ratings
 - Wiring Diagram For 2002 Crown Vic and Bestseller Lists
5. Accessing Wiring Diagram For 2002 Crown Vic Free and Paid eBooks
 - Wiring Diagram For 2002 Crown Vic Public Domain eBooks
 - Wiring Diagram For 2002 Crown Vic eBook Subscription Services
 - Wiring Diagram For 2002 Crown Vic Budget-Friendly Options
6. Navigating Wiring Diagram For 2002 Crown Vic eBook Formats

- ePub, PDF, MOBI, and More
 - Wiring Diagram For 2002 Crown Vic Compatibility with Devices
 - Wiring Diagram For 2002 Crown Vic Enhanced eBook Features
7. Enhancing Your Reading Experience
 - Adjustable Fonts and Text Sizes of Wiring Diagram For 2002 Crown Vic
 - Highlighting and Note-Taking Wiring Diagram For 2002 Crown Vic
 - Interactive Elements Wiring Diagram For 2002 Crown Vic
 8. Staying Engaged with Wiring Diagram For 2002 Crown Vic
 - Joining Online Reading Communities
 - Participating in Virtual Book Clubs
 - Following Authors and Publishers Wiring Diagram For 2002 Crown Vic
 9. Balancing eBooks and Physical Books Wiring Diagram For 2002 Crown Vic
 - Benefits of a Digital Library
 - Creating a Diverse Reading Collection Wiring Diagram For 2002 Crown Vic
 10. Overcoming Reading Challenges
 - Dealing with Digital Eye Strain
 - Minimizing Distractions
 - Managing Screen Time
 11. Cultivating a Reading Routine Wiring Diagram For 2002 Crown Vic
 - Setting Reading Goals Wiring Diagram For 2002 Crown Vic
 - Carving Out Dedicated Reading Time
 12. Sourcing Reliable Information of Wiring Diagram For 2002 Crown Vic
 - Fact-Checking eBook Content of Wiring Diagram For 2002 Crown Vic
 - Distinguishing Credible Sources
 13. Promoting Lifelong Learning
 - Utilizing eBooks for Skill Development
 - Exploring Educational eBooks
 14. Embracing eBook Trends
 - Integration of Multimedia Elements
 - Interactive and Gamified eBooks

Wiring Diagram For 2002 Crown Vic Introduction

Wiring Diagram For 2002 Crown Vic Offers over 60,000 free eBooks, including many classics that are in the public domain. Open Library: Provides access to over 1 million free eBooks, including classic literature and contemporary works. Wiring Diagram For 2002 Crown Vic Offers a vast collection of books, some of which are available for free as PDF downloads, particularly older books in the public domain. Wiring Diagram For 2002 Crown Vic : This website hosts a vast collection of scientific articles, books, and textbooks. While it operates in a legal gray area due to copyright issues, its a popular resource for finding various publications. Internet Archive for Wiring Diagram For 2002 Crown Vic : Has an extensive collection of digital content, including books, articles, videos, and more. It has a massive library of free downloadable books. Free-eBooks Wiring Diagram For 2002 Crown Vic Offers a diverse range of free eBooks across various genres. Wiring Diagram For 2002 Crown Vic Focuses mainly on educational books, textbooks, and business books. It offers free PDF downloads for educational purposes. Wiring Diagram For 2002 Crown Vic Provides a large selection of free eBooks in different genres, which are available for download in various formats, including PDF. Finding specific Wiring Diagram For 2002 Crown Vic, especially related to Wiring Diagram For 2002 Crown Vic, might be challenging as theyre often artistic creations rather than practical blueprints. However, you can explore the following steps to search for or create your own Online Searches: Look for websites, forums, or blogs dedicated to Wiring Diagram For 2002 Crown Vic, Sometimes enthusiasts share their designs or concepts in PDF format. Books and Magazines Some Wiring Diagram For 2002 Crown Vic books or magazines might include. Look for these in online stores or libraries. Remember that while Wiring Diagram For 2002 Crown Vic, sharing copyrighted material without permission is not legal. Always ensure youre either creating your own or obtaining them from legitimate sources that allow sharing and downloading. Library Check if your local library offers eBook lending services. Many libraries have digital catalogs where you can borrow Wiring Diagram For 2002 Crown Vic eBooks for free, including popular titles. Online Retailers: Websites like Amazon, Google Books, or Apple Books often sell eBooks. Sometimes, authors or publishers offer promotions or free periods for certain books. Authors Website Occasionally, authors provide excerpts or short stories for free on their websites. While this might not be the Wiring Diagram For 2002 Crown Vic full book , it can give you a taste of the authors writing style. Subscription Services Platforms like Kindle Unlimited or Scribd offer subscription-based access to a wide range of Wiring Diagram For 2002 Crown Vic eBooks, including some popular titles.

FAQs About Wiring Diagram For 2002 Crown Vic Books

What is a Wiring Diagram For 2002 Crown Vic PDF? A PDF (Portable Document Format) is a file format developed by Adobe that preserves the layout and formatting of a document, regardless of the software, hardware, or operating system

used to view or print it. **How do I create a Wiring Diagram For 2002 Crown Vic PDF?** There are several ways to create a PDF: Use software like Adobe Acrobat, Microsoft Word, or Google Docs, which often have built-in PDF creation tools. Print to PDF: Many applications and operating systems have a "Print to PDF" option that allows you to save a document as a PDF file instead of printing it on paper. Online converters: There are various online tools that can convert different file types to PDF. **How do I edit a Wiring Diagram For 2002 Crown Vic PDF?** Editing a PDF can be done with software like Adobe Acrobat, which allows direct editing of text, images, and other elements within the PDF. Some free tools, like PDFescape or Smallpdf, also offer basic editing capabilities. **How do I convert a Wiring Diagram For 2002 Crown Vic PDF to another file format?** There are multiple ways to convert a PDF to another format: Use online converters like Smallpdf, Zamzar, or Adobe Acrobat's export feature to convert PDFs to formats like Word, Excel, JPEG, etc. Software like Adobe Acrobat, Microsoft Word, or other PDF editors may have options to export or save PDFs in different formats. **How do I password-protect a Wiring Diagram For 2002 Crown Vic PDF?** Most PDF editing software allows you to add password protection. In Adobe Acrobat, for instance, you can go to "File" -> "Properties" -> "Security" to set a password to restrict access or editing capabilities. Are there any free alternatives to Adobe Acrobat for working with PDFs? Yes, there are many free alternatives for working with PDFs, such as: LibreOffice: Offers PDF editing features. PDFsam: Allows splitting, merging, and editing PDFs. Foxit Reader: Provides basic PDF viewing and editing capabilities. How do I compress a PDF file? You can use online tools like Smallpdf, ILovePDF, or desktop software like Adobe Acrobat to compress PDF files without significant quality loss. Compression reduces the file size, making it easier to share and download. Can I fill out forms in a PDF file? Yes, most PDF viewers/editors like Adobe Acrobat, Preview (on Mac), or various online tools allow you to fill out forms in PDF files by selecting text fields and entering information. Are there any restrictions when working with PDFs? Some PDFs might have restrictions set by their creator, such as password protection, editing restrictions, or print restrictions. Breaking these restrictions might require specific software or tools, which may or may not be legal depending on the circumstances and local laws.

Find Wiring Diagram For 2002 Crown Vic :

solution manual engineering economy 7th edition lel

solution manual chemistry brent iverson sheila

solution manual fault tolerant

[solution manual for engineering mechanics statics 7th edition](#)

solomon biologia 8 edicion

solution manual incropera heat mass transfer

solution manual electromechanical

solubility curves answers chemistry if8766

solution manual ch 15 intermediate accounting

solo jill mansell

solution manual accounting theory godfrey off balance

solution manual courtney mechanical behavior of materials

~~solution manual heat transfer principles 6~~

~~solution manual for electronic devices floyd~~

solution guide griffiths learning and practice econometrics

Wiring Diagram For 2002 Crown Vic :

Historical anthropology - Wikipedia Ethnography And The Historical Imagination - 1st Edition Ethnography And The Historical Imagination (Studies in ... Amazon.com: Ethnography And The Historical Imagination (Studies in the Ethnographic Imagination): 9780813313054: Comaroff, John & Jean: Books. Ethnography And The Historical Imagination | John Comaroff ... by J Comaroff · 2019 · Cited by 3478 — Over the years John and Jean Comaroff have broadened the study of culture and society with their reflections on power and meaning. ETHNOGRAPHY AND THE HISTORICAL IMAGINATION. ... by J Vansina · 1993 · Cited by 4 — cloth, \$18.95 paper. This book is intended as a textbook for students of historical anthropology. It consists of chapters on ten topics ... Ethnography and the Historical Imagination - John Comaroff Over the years John and Jean Comaroff have broadened the study of culture and society with their reflections on power and meaning. Ethnography and the Historical Imagination - Jean Comaroff Part One of the volume, "Theory, Ethnography, Historiography," includes chapters on ethnographic method and imaginative sociology, totemism and ethnicity, and ... (PDF) Ethnography and the Historical Imagination Abstract. Theory, Ethnography, Historiography * Ethnography and the Historical Imagination * Of Totemism and Ethnicity * Bodily Reform as Historical Practice ... Ethnography And The Historical Imagination Ethnography And The Historical Imagination ... Over the years John and Jean Comaroff have broadened the study of culture and society with their reflections on ... Ethnography and the Historical Imagination by John and ... by DPS Ahluwalia · 1995 — The Journal of Modern African Studies, 33, 4 (1995), pp. 699-731 ... It seeks to locate the ethnographic enterprise within the disciplinary ... Ethnography And The Historical Imagination (Studies in ... Over the years John and Jean Comaroff have broadened the study of culture and society with their reflections on power and meaning. An Introduction to Medical Malpractice in the United States An Introduction to Medical Malpractice in the United States Summary Medical Liability/Medical Malpractice Laws Jul 13, 2021 — A health care provider's personal liability is limited to \$200,000 for monetary damages and medical care and

related benefits as provided in §41 ... Medical Malpractice Law Oct 14, 2023 — Medical malpractice happens when a doctor or another medical professional whose actions fall below the appropriate standard of care hurts a ... What is Medical Malpractice Law? Aug 3, 2023 — Medical malpractice involves injury or harm caused by a doctor's negligence. Learn about time limits, forms of negligence, and much more at ... Medical malpractice: What does it involve? Medical malpractice refers to professional negligence by a health care provider that leads to substandard treatment, resulting in injury to a patient. malpractice | Wex | US Law | LII / Legal Information Institute Malpractice, or professional negligence, is a tort committed when a professional breaches their duty to a client. The duty of a professional to a client is ... Medical malpractice Medical malpractice is a legal cause of action that occurs when a medical or health care professional, through a negligent act or omission, deviates from ... 22 U.S. Code § 2702 - Malpractice protection - Law.Cornell.Edu ... negligence in the furnishing of medical care or related services, including the conducting of clinical studies or investigations. (f) Holding harmless or ... Medical Malpractice Sep 23, 2016 — Medical malpractice is negligence committed by a professional health care provider—a doctor ... Health Care Law · Managed Care · Law for Older ... Medical Malpractice Medical malpractice is a type of personal injury claim that involves negligence by a healthcare provider. Of course, medical treatments do not always work, and ... Comportamiento Organizacional: GRIFFIN, RICKY Strong end-of-chapter exercises, activities, plus an optional case and exercise book make this flexible text suitable for students at the undergraduate level. Comportamiento Organizacional by Griffin/Moorhead: Used ISBN: 9786074812701 - Paperback - Cl Mexico - 2010 - Condition: Used - Good - Comportamiento Organizacional. Comportamiento Organizacional: 9786074812701: Ricky ... Amazon.com: Comportamiento Organizacional: 9786074812701: Ricky W. Griffin, Gregory Moorhead: Libros. Comportamiento organizacional : gestión de personas y ... Comportamiento organizacional : gestión de personas y organizaciones. Authors: Ricky W. Griffin, Gregory Moorhead, Magda Elizabeth Treviño Rosales, Verania ... Comportamiento organizacional. Gestión de personas y ... Sep 14, 2016 — Ricky W. Griffin. Page 1. COMPORTAMIENTO ORGANIZACIONAL Administraci n de personas y organizaciones. (3*#39;& ... Comportamiento Organizacional by Ricky Griffin, Gregory ... Comportamiento Organizacional (Paperback). Ricky Griffin (author), Gregory Moorhead (author). Sign in to write a review. £38.99. Paperback 608 Pages Published ... Comportamiento organizacional | Griffin, Ricky y Moorhead ... Comportamiento organizacional · Habilidades Directivas "Evaluaci n y desarrollo" · Comportamiento organizacional · Human Resource Management: Student Text. Comportamiento Organizacional Griffin Moorhead Pdf Comportamiento Organizacional Griffin. Moorhead Pdf. 1. Comportamiento. Organizacional. Griffin Moorhead Pdf. Comportamiento. Organizacional. Griffin. COMPORTAMIENTO ORGANIZACIONAL (9A. ED) COMPORTAMIENTO ORGANIZACIONAL (9A. ED) ; ISBN : 9786074812701 ; autor (es) : GRIFFIN/MOORHEAD ; editorial : CENGAGE LEARNING ; n mero de edici n : 9 ; nombre del ...