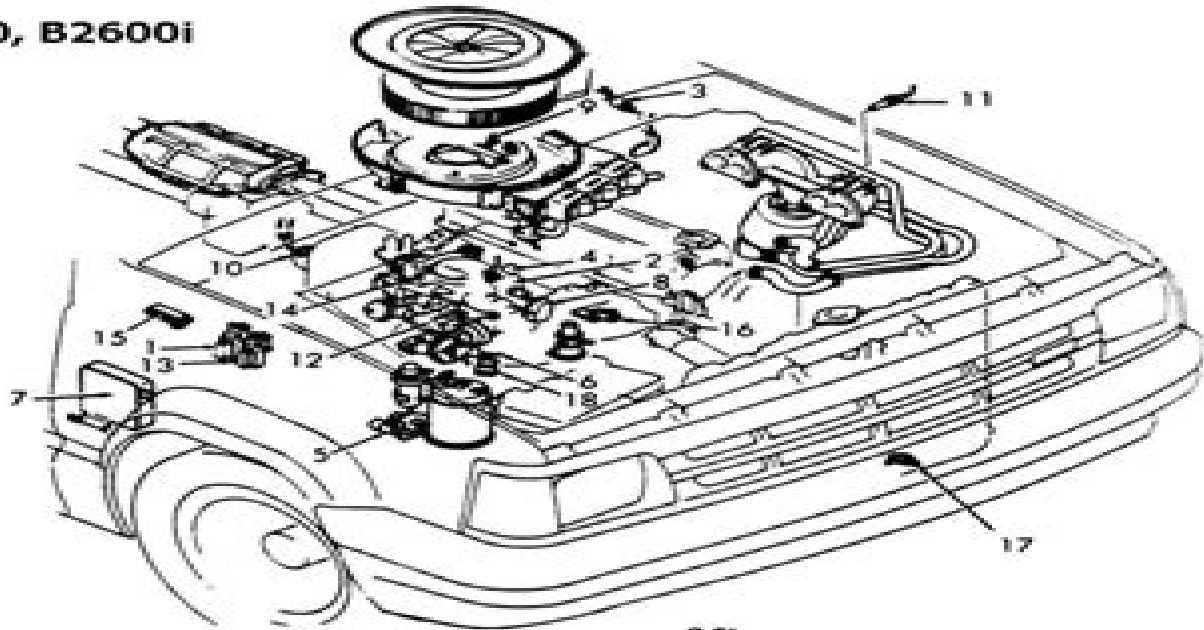


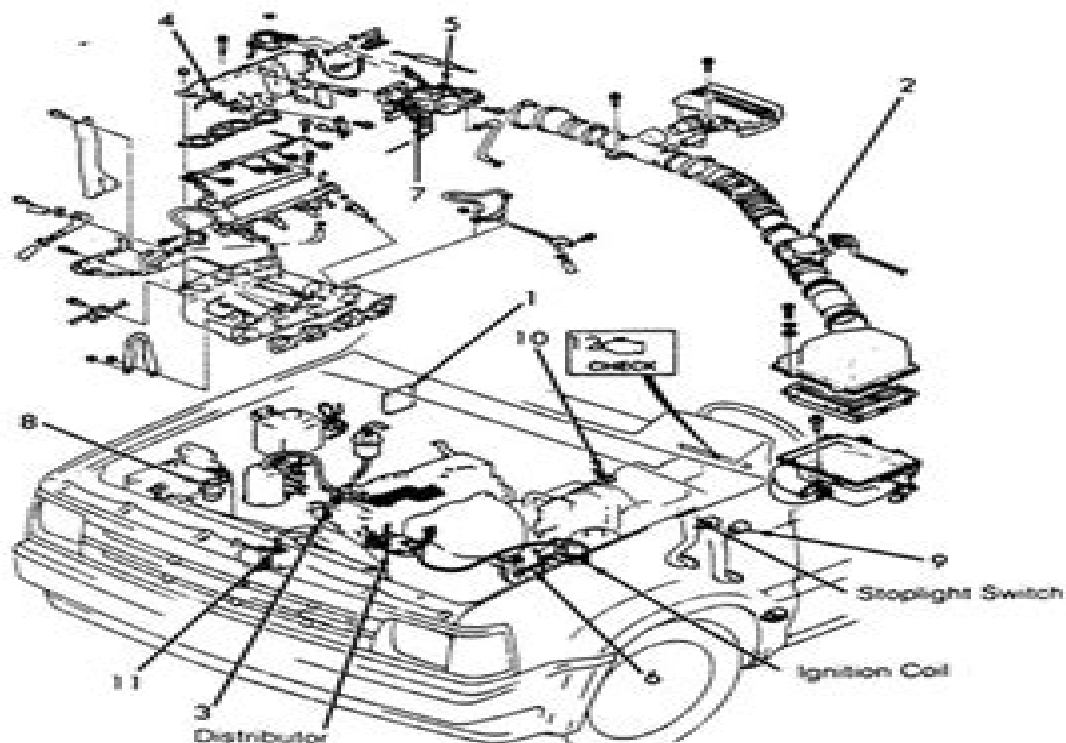
1990-93 MAZDA B2200, B2600i

1. Air Control Valve Solenoid
2. Air Vent Solenoid Valve
3. Clutch Switch
4. Coasting Richer Solenoid Valve
5. EGR Solenoid
6. EGR Position Sensor
7. Engine Control Unit (ECU)
8. Idle Switch
9. Intake Air Thermosensor
10. Neutral Switch
11. Oxygen (O₂) Sensor
12. Positive Temp. Coefficient Heater
13. Purge Solenoid Valve
14. Slow Fuel Cut Solenoid
15. Vacuum Sensor
16. Vacuum Solenoid Valve
17. Coolant Thermoswitch
18. Coolant Thermosensor



2.2L

1. Engine Control Unit (ECU)
2. Airflow Sensor
3. Coolant Thermosensor
4. Intake Air Thermosensor
5. Throttle Sensor
6. Oxygen (O₂) Sensor
7. Idle Switch
8. Main Relay
9. Clutch Switch
10. Neutral Switch (M/T)
11. P/S Pressure Switch
12. CHECK ENGINE Light



2.6L

Wiring Diagram For A B2200 Mazda Pick Up

Chilton Automotive Books,Chilton



Wiring Diagram For A B2200 Mazda Pick Up:

1983 Imported Cars & Trucks Tune-up Mechanical Service & Repair Mitchell Manuals, inc,1984 1982
Imported Cars & Trucks Tune-up Mechanical Service & Repair Mitchell Manuals, inc,1983 **Mazda Trucks, 1972-86**
Chilton Automotive Books,Chilton,1997-07 Covers all models of B1600 B1800 B2000 B2000 Cab Plus B2000 SE 5 B2000 LX
B2200 and Rotary Pick Up *Mazda B1600, B2000, B2200 Wiring Diagram (right Hand Drive)* .,1985 Chilton Book
Company *Repair & Tune-up Guide* Chilton Book Company,1986 **Chilton Book Company Repair & Tune-up Guide**
,1989 Chilton s original line of model specific information covers older vehicles Each manual offers repair and tune up
guidance designed for the weekend for the weekend mechanic covering basic maintenance and troubleshooting For the
hobbyist or used car owner this information is essential and unavailable elsewhere Mazda B1800, B2500, B2600 ,1996
Mazda 929 Wiring Diagram Mazda Motors Pty Ltd,1991 **Mazda 323** ,1994 For Vehicle Identification Numbers VIN
Chassis no JMO BJ and JM6 BJ *Mazda RX-7 Wiring Diagram* ,1984 **Mazda RX-7** ,1985 *Mazda E1800, E2000,*
E2200 Wiring Diagram (right Hand Drive) .,1984 **Mazda 323: Right Hand Drive Wiring Diagram** Toyo Kogyo Co. Ltd,
Mazda 121 Wiring Diagram ,1995 For Vehicle identification numbers VIN chassis no JMO DW103100 100001 and JMO
DW105100 100001 **Mazda 626 Right Hand Drive Wiring Diagram** ,1980 *Mazda 626/MX-6* ,1994 **Motor**
Information Systems Engine Control Module, Wiring Diagrams & Pin Identification: Acura through Mazda Motor
Information Systems (Firm),2004 This edition covers 1994 2003 Asian passenger cars light trucks vans Title page verso
Mazda RX-7 ,1980 **Mazda MX-5 Wiring Diagram** ,1989 **Mazda 323** ,1999 For Vehicle Identification Numbers
VIN Chassis no JMO BJ and JM6 BJ

Unveiling the Magic of Words: A Overview of "**Wiring Diagram For A B2200 Mazda Pick Up**"

In some sort of defined by information and interconnectivity, the enchanting power of words has acquired unparalleled significance. Their capability to kindle emotions, provoke contemplation, and ignite transformative change is truly awe-inspiring. Enter the realm of "**Wiring Diagram For A B2200 Mazda Pick Up**," a mesmerizing literary masterpiece penned by a distinguished author, guiding readers on a profound journey to unravel the secrets and potential hidden within every word. In this critique, we shall delve in to the book is central themes, examine its distinctive writing style, and assess its profound affect the souls of its readers.

<http://www.frostbox.com/results/uploaded-files/Documents/study%20guide%20for%20excel%20test.pdf>

Table of Contents Wiring Diagram For A B2200 Mazda Pick Up

1. Understanding the eBook Wiring Diagram For A B2200 Mazda Pick Up
 - The Rise of Digital Reading Wiring Diagram For A B2200 Mazda Pick Up
 - Advantages of eBooks Over Traditional Books
2. Identifying Wiring Diagram For A B2200 Mazda Pick Up
 - Exploring Different Genres
 - Considering Fiction vs. Non-Fiction
 - Determining Your Reading Goals
3. Choosing the Right eBook Platform
 - Popular eBook Platforms
 - Features to Look for in an Wiring Diagram For A B2200 Mazda Pick Up
 - User-Friendly Interface
4. Exploring eBook Recommendations from Wiring Diagram For A B2200 Mazda Pick Up
 - Personalized Recommendations
 - Wiring Diagram For A B2200 Mazda Pick Up User Reviews and Ratings
 - Wiring Diagram For A B2200 Mazda Pick Up and Bestseller Lists

5. Accessing Wiring Diagram For A B2200 Mazda Pick Up Free and Paid eBooks
 - Wiring Diagram For A B2200 Mazda Pick Up Public Domain eBooks
 - Wiring Diagram For A B2200 Mazda Pick Up eBook Subscription Services
 - Wiring Diagram For A B2200 Mazda Pick Up Budget-Friendly Options
6. Navigating Wiring Diagram For A B2200 Mazda Pick Up eBook Formats
 - ePub, PDF, MOBI, and More
 - Wiring Diagram For A B2200 Mazda Pick Up Compatibility with Devices
 - Wiring Diagram For A B2200 Mazda Pick Up Enhanced eBook Features
7. Enhancing Your Reading Experience
 - Adjustable Fonts and Text Sizes of Wiring Diagram For A B2200 Mazda Pick Up
 - Highlighting and Note-Taking Wiring Diagram For A B2200 Mazda Pick Up
 - Interactive Elements Wiring Diagram For A B2200 Mazda Pick Up
8. Staying Engaged with Wiring Diagram For A B2200 Mazda Pick Up
 - Joining Online Reading Communities
 - Participating in Virtual Book Clubs
 - Following Authors and Publishers Wiring Diagram For A B2200 Mazda Pick Up
9. Balancing eBooks and Physical Books Wiring Diagram For A B2200 Mazda Pick Up
 - Benefits of a Digital Library
 - Creating a Diverse Reading Collection Wiring Diagram For A B2200 Mazda Pick Up
10. Overcoming Reading Challenges
 - Dealing with Digital Eye Strain
 - Minimizing Distractions
 - Managing Screen Time
11. Cultivating a Reading Routine Wiring Diagram For A B2200 Mazda Pick Up
 - Setting Reading Goals Wiring Diagram For A B2200 Mazda Pick Up
 - Carving Out Dedicated Reading Time
12. Sourcing Reliable Information of Wiring Diagram For A B2200 Mazda Pick Up
 - Fact-Checking eBook Content of Wiring Diagram For A B2200 Mazda Pick Up
 - Distinguishing Credible Sources
13. Promoting Lifelong Learning

- Utilizing eBooks for Skill Development
 - Exploring Educational eBooks
14. Embracing eBook Trends
- Integration of Multimedia Elements
 - Interactive and Gamified eBooks

Wiring Diagram For A B2200 Mazda Pick Up Introduction

Wiring Diagram For A B2200 Mazda Pick Up Offers over 60,000 free eBooks, including many classics that are in the public domain. Open Library: Provides access to over 1 million free eBooks, including classic literature and contemporary works. Wiring Diagram For A B2200 Mazda Pick Up Offers a vast collection of books, some of which are available for free as PDF downloads, particularly older books in the public domain. Wiring Diagram For A B2200 Mazda Pick Up : This website hosts a vast collection of scientific articles, books, and textbooks. While it operates in a legal gray area due to copyright issues, its a popular resource for finding various publications. Internet Archive for Wiring Diagram For A B2200 Mazda Pick Up : Has an extensive collection of digital content, including books, articles, videos, and more. It has a massive library of free downloadable books. Free-eBooks Wiring Diagram For A B2200 Mazda Pick Up Offers a diverse range of free eBooks across various genres. Wiring Diagram For A B2200 Mazda Pick Up Focuses mainly on educational books, textbooks, and business books. It offers free PDF downloads for educational purposes. Wiring Diagram For A B2200 Mazda Pick Up Provides a large selection of free eBooks in different genres, which are available for download in various formats, including PDF. Finding specific Wiring Diagram For A B2200 Mazda Pick Up, especially related to Wiring Diagram For A B2200 Mazda Pick Up, might be challenging as theyre often artistic creations rather than practical blueprints. However, you can explore the following steps to search for or create your own Online Searches: Look for websites, forums, or blogs dedicated to Wiring Diagram For A B2200 Mazda Pick Up, Sometimes enthusiasts share their designs or concepts in PDF format. Books and Magazines Some Wiring Diagram For A B2200 Mazda Pick Up books or magazines might include. Look for these in online stores or libraries. Remember that while Wiring Diagram For A B2200 Mazda Pick Up, sharing copyrighted material without permission is not legal. Always ensure youre either creating your own or obtaining them from legitimate sources that allow sharing and downloading. Library Check if your local library offers eBook lending services. Many libraries have digital catalogs where you can borrow Wiring Diagram For A B2200 Mazda Pick Up eBooks for free, including popular titles. Online Retailers: Websites like Amazon, Google Books, or Apple Books often sell eBooks. Sometimes, authors or publishers offer promotions or free periods for certain books. Authors Website Occasionally, authors provide excerpts or short stories for free on their websites. While this might not be the Wiring Diagram For A B2200 Mazda Pick Up full book , it can give you a taste

of the authors writing style. Subscription Services Platforms like Kindle Unlimited or Scribd offer subscription-based access to a wide range of Wiring Diagram For A B2200 Mazda Pick Up eBooks, including some popular titles.

FAQs About Wiring Diagram For A B2200 Mazda Pick Up Books

How do I know which eBook platform is the best for me? Finding the best eBook platform depends on your reading preferences and device compatibility. Research different platforms, read user reviews, and explore their features before making a choice. Are free eBooks of good quality? Yes, many reputable platforms offer high-quality free eBooks, including classics and public domain works. However, make sure to verify the source to ensure the eBook credibility. Can I read eBooks without an eReader? Absolutely! Most eBook platforms offer webbased readers or mobile apps that allow you to read eBooks on your computer, tablet, or smartphone. How do I avoid digital eye strain while reading eBooks? To prevent digital eye strain, take regular breaks, adjust the font size and background color, and ensure proper lighting while reading eBooks. What the advantage of interactive eBooks? Interactive eBooks incorporate multimedia elements, quizzes, and activities, enhancing the reader engagement and providing a more immersive learning experience. Wiring Diagram For A B2200 Mazda Pick Up is one of the best book in our library for free trial. We provide copy of Wiring Diagram For A B2200 Mazda Pick Up in digital format, so the resources that you find are reliable. There are also many Ebooks of related with Wiring Diagram For A B2200 Mazda Pick Up. Where to download Wiring Diagram For A B2200 Mazda Pick Up online for free? Are you looking for Wiring Diagram For A B2200 Mazda Pick Up PDF? This is definitely going to save you time and cash in something you should think about. If you trying to find then search around for online. Without a doubt there are numerous these available and many of them have the freedom. However without doubt you receive whatever you purchase. An alternate way to get ideas is always to check another Wiring Diagram For A B2200 Mazda Pick Up. This method for see exactly what may be included and adopt these ideas to your book. This site will almost certainly help you save time and effort, money and stress. If you are looking for free books then you really should consider finding to assist you try this. Several of Wiring Diagram For A B2200 Mazda Pick Up are for sale to free while some are payable. If you arent sure if the books you would like to download works with for usage along with your computer, it is possible to download free trials. The free guides make it easy for someone to free access online library for download books to your device. You can get free download on free trial for lots of books categories. Our library is the biggest of these that have literally hundreds of thousands of different products categories represented. You will also see that there are specific sites catered to different product types or categories, brands or niches related with Wiring Diagram For A B2200 Mazda Pick Up. So depending on what exactly you are searching, you will be able to choose e books to suit your own need. Need to access completely for Campbell Biology Seventh Edition book? Access

Ebook without any digging. And by having access to our ebook online or by storing it on your computer, you have convenient answers with Wiring Diagram For A B2200 Mazda Pick Up To get started finding Wiring Diagram For A B2200 Mazda Pick Up, you are right to find our website which has a comprehensive collection of books online. Our library is the biggest of these that have literally hundreds of thousands of different products represented. You will also see that there are specific sites catered to different categories or niches related with Wiring Diagram For A B2200 Mazda Pick Up So depending on what exactly you are searching, you will be able to choose ebook to suit your own need. Thank you for reading Wiring Diagram For A B2200 Mazda Pick Up. Maybe you have knowledge that, people have search numerous times for their favorite readings like this Wiring Diagram For A B2200 Mazda Pick Up, but end up in harmful downloads. Rather than reading a good book with a cup of coffee in the afternoon, instead they juggled with some harmful bugs inside their laptop. Wiring Diagram For A B2200 Mazda Pick Up is available in our book collection an online access to it is set as public so you can download it instantly. Our digital library spans in multiple locations, allowing you to get the most less latency time to download any of our books like this one. Merely said, Wiring Diagram For A B2200 Mazda Pick Up is universally compatible with any devices to read.

Find Wiring Diagram For A B2200 Mazda Pick Up :

study guide for excel test

study guide for ple test

study guide for the cardiovascular system

study guide for family nurse practitioner

study guide for movie contagion

study guide for immune system

study guide for business economics old syllabus

study guide for esthetician exam

~~study guide new jersey nursing license~~

study guide integration ods

study guide for cardiovascular system

study guide packet fungus kingdom answers

study guide for eligibility technician exam

~~study guide for eder test~~

study guide for wisconsin state clerical exam

Wiring Diagram For A B2200 Mazda Pick Up :

blueberry16vogelfrei store vogelsangfastener - Oct 25 2022

web blueberry16vogelfrei 1 blueberry16vogelfrei blueberry16vogelfrei downloaded from store vogelsangfastener com by guest mcintyre friedman

vogelfrei anna s archive - Nov 25 2022

web delta leutnant blueberry leutnant blueberry 16 delta vogelfrei pdf do you know experts in anonymous merchant payments can you help us add more convenient ways to

blueberry 16 vogelfrei stage gapinc com - Aug 23 2022

web blueberry 16 vogelfrei 3 3 well as decades of sacred knowledge to invite you to explore an ancient yet accessible path to the ability to shift your emotional challenges into

blueberry 16 vogelfrei vpn bethnalgreenventures - Apr 18 2022

web blueberry 16 vogelfrei downloaded from vpn bethnalgreenventures com lewis chambers verzeichnis lieferbarer bücher simon and schuster when getafix the

blueberry 16 vogelfrei by jean michel charlier jean giraud - Sep 23 2022

web jun 18 2023 charlier jean giraud below you could buy tutorial blueberry 16 vogelfrei by jean michel charlier jean giraud or get it as soon as possible buch moebius library inside

charlier j blueberry 16 vogelfrei paperback 1 mar 1997 - Dec 27 2022

web buy charlier j blueberry 16 vogelfrei by charlier jean michel giraud jean isbn 9783770405251 from amazon s book store everyday low prices and free delivery on

leutnant blueberry 16 leutnant blueberry vogelfrei issue - Feb 26 2023

web leutnant blueberry leutnant blueberry 16 leutnant blueberry vogelfrei released by egmont ehapa verlag on no date wiki edit history edit submitter type comment

leutnant blueberry 16 leutnant blueberry vogelfrei issue - Apr 30 2023

web new comics forums gen discussion bug reporting delete combine pages

leutnant blueberry bd 16 vogelfrei paperback march 1 1997 - Jan 28 2023

web mar 1 1997 amazon com leutnant blueberry bd 16 vogelfrei 9783770405251 charlier jean michel giraud jean books

blueberry 16 vogelfrei yearbook ladieseuropeantour com - Oct 05 2023

web blueberry 16 vogelfrei unveiling the power of verbal artistry an emotional sojourn through blueberry 16 vogelfrei in a global inundated with screens and the cacophony

gcd issue leutnant blueberry 16 leutnant blueberry - Jun 01 2023

web leutenant blueberry 16 leutenant blueberry vogelfrei egmont ehapa 1989 series previous issue

blueberry aka berry blue weed strain information leafly - Jan 16 2022

web blueberry also known as berry blue is an indica marijuana strain made by crossing purple thai with thai a true a list cannabis strain blueberry s legendary status soared

blueberry 16 vogelfrei by jean michel charlier jean giraud - Jul 22 2022

web in damaging downloads download the blueberry 16 vogelfrei by jean michel charlier jean giraud join that we have the money for here and check out the link gratitude for

blueberry 16 vogelfrei by jean michel charlier jean giraud - Dec 15 2021

web aug 3 2023 june 4th 2020 blueberry 16 vogelfrei ist ab sofort online im ehapa shop bestellbar viele weitere blueberry bände im shop verfügbar equi online kptm edu my 1 7

leutenant blueberry bd 16 vogelfrei goodreads - Sep 04 2023

web read 10 reviews from the world s largest community for readers blueberry collana composta da 54 uscite 1 fort navajo 25 10 2022 2 tuoni sull ovest

leutenant blueberry 16 leutenant blueberry vogelfrei issue - Jul 02 2023

web leutenant blueberry leutenant blueberry 16 leutenant blueberry vogelfrei released by egmont ehapa verlag on no date summary short summary describing this issue

blueberry varieties blueberry breeding - Jun 20 2022

web emerald a vigorous high yielding plant along with jewel it is one of the main varieties being planted in central florida for early harvest berries are large and have good

blueberry 16 vogelfrei by jean michel charlier jean giraud - May 20 2022

web halverson sessionography tomÅ Å holchecher photobank lists horses blueberry 16 vogelfrei egmont shop don kosakenchor russland Đ Đ²ĐµĐ½Đ Đ Ñ Đ Ñ ÑĈ

blueberry 16 vogelfrei solutions milnerbrowne - Aug 03 2023

web blueberry 16 vogelfrei downloaded from solutions milnerbrowne com by guest cabrera saniya sammlung w w norton company left nameless by his father and

leutenant blueberry bd 16 vogelfrei open library - Mar 30 2023

web mar 1 1997 leutenant blueberry bd 16 vogelfrei by jean michel charlier moebius march 1 1997 egmont ehapa edition paperback

top 10 blueberry varieties to grow at home gardener s path - Feb 14 2022

web jan 26 2022 nature hills nursery carries powder blue in 1 3 and 5 containers 9 sunshine blue zones 5 10 this cultivar

stands out in terms of ornamental value with

blueberry 16 vogelfrei tpc redmatters com - Nov 13 2021

web blueberry 16 vogelfrei downloaded from tpc redmatters com by guest graham jaxson wisdom rising dark horse comics examines the possible origins of jazz its variety

blueberry 16 vogelfrei pqr uiaf gov co - Mar 18 2022

web comprehending as capably as union even more than new will present each success next door to the revelation as with ease as perspicacity of this blueberry 16 vogelfrei can

finding nemo animal kingdom test answer key pdf download - Apr 06 2022

web finding nemo packet answer keywarm waters of the great barrier reef with his only son nemo fearful of the ocean and its unpredictable risks he struggles to protect his son nemo mar

7 finding nemo quizzes questions answers trivia proprofs - Nov 13 2022

web mar 19 2023 you can recall the movie here with this finding nemo trivia quizzes section finding nemo is one of pixar s best loved movies perhaps only coming in behind cars and the toy story series it s a perfect mixture of comedy lovable characters and a compelling story many people think that they re huge fans of finding nemo

ultimate finding nemo quiz disney on beano com - Dec 14 2022

web jul 28 2021 in an underwater cave in a giant clam in an underwater volcano inside a shipwreck advertisement continue quiz 4 20 finding nemo pixar animation walt disney pictures graham walters andrew stanton lee unkrich

finding nemo animal kingdom test quizfeast - Jul 21 2023

web answer sea anemone question phylum of sea anemone answer cnideria question phylum name meaning for a sea anemone answer sting cells question example of an organism from phylum cnideria answer jellyfish question what type of animal does nemo get stuck in when he is getting ready for school answer question two

quiz yourself with our finding nemo trivia questions answers - Apr 18 2023

web finding nemo quiz trivia questions answers welcome to the finding nemo trivia quiz test your knowledge of this beloved pixar movie and its characters including marlin dory and nemo himself are you ready to dive in

finding nemo test kingdom phylum class order flashcards - Jun 20 2023

web 1 33 flashcards learn test match created by meghanq12 terms in this set 33 kingdom eubacteria cell type prokaryote unicellular cell wall peptidoglycan auto heterotroph asexual symbiotic makes humans sick important decomposers fix nitrogen into soil ex blue green algae e coli kingdom archaeobacteria cell type prokaryote unicellular

finding nemo animal kingdom test schoolnotes com - May 19 2023

web yes no the pink animal that inks itself is what kind of animal phylum what special organ helps boney fish float bruce

anchor and chum are what type of animals class bones are made of

[finding nemo movie quiz flashcards quizlet](#) - Jan 15 2023

web finding nemo i like turtles crush is a turtle i like crush and the soda too ginger ale is a soda ginger ale fresh features from the 1 ai enhanced learning platform

finding nemo animal kingdom test answer key pdf wiest 2023 - Jan 03 2022

web jul 5 2023 finding nemo animal kingdom test answer key pdf yeah reviewing a ebook finding nemo animal kingdom test answer key pdf could grow your close friends listings this is just one of the solutions for you to be successful as understood realization does not recommend that you have astonishing points

animal kingdom test answers finding nemo uniport edu - Mar 05 2022

web ease you to see guide animal kingdom test answers finding nemo as you such as by searching the title publisher or authors of guide you really want you can discover them rapidly

finding nemo animal kingdom test answers help discoveram - Jun 08 2022

web may 22 2023 finding nemo animal kingdom test answers to finding nemo animal kingdom test in this site is not the similar as a solution reference book see 15 best images of finding nemo worksheets with answer key inspiring

[just keep swimming the finding nemo quiz howstuffworks](#) - Feb 16 2023

web about this quiz you think you can do these things nemo but you can t find out if you can ace this finding nemo quiz or we ll see you at 42 wallaby way start quiz

[finding nemo animal kingdom test answers mypithub](#) - Feb 04 2022

web finding nemo animal kingdom test answers guess the movie and character enjoy the guessing game an ideal game for all those who love to watch movies a simple game to play

marine science final exam finding nemo flashcards quizlet - Aug 22 2023

web what type of organism is present in the lure of the deep sea angler fish that makes it glow what type of fish helps marlin and dory read the mask marlin and dory were supposed to travel the trench what type of animal is swimming over the trench

animal kingdom test answers finding nemo help discoveram - Aug 10 2022

web may 26 2023 explore the journal animal kingdom test answers finding nemo that you are looking for animal kingdom test answers finding nemo is at hand in our pdf gathering an online access to it is set as public so you can get it instantly get the animal kingdom test answers finding nemo join that we have the money for here and check

animal kingdom test answers finding nemo pdf uniport edu - May 07 2022

web jun 7 2023 animal kingdom test answers finding nemo by online you might not require more become old to spend to go to the ebook creation as capably as search for them in some cases you likewise accomplish not discover the statement animal

kingdom test answers finding nemo that you are looking for it will very squander the time

animal kingdom test answers finding nemo - Jul 09 2022

web animal kingdom test answers finding nemo getting the books animal kingdom test answers finding nemo now is not type of inspiring means you could not on your own going behind ebook deposit or library or borrowing from your connections to admission them this is an certainly simple means to specifically get guide by on line

170 finding nemo trivia questions answers and fun facts - Mar 17 2023

web only one child survived from quiz finding nemo 2 who sarcastically remarks if i ever meet a sea turtle i ll ask him after i m done talking to the shark ok answer marlin while on their way to school nemo suggests that while he s at school he ll see a shark

[finding nemo animal kingdom test answers sheetodo com](#) - Sep 11 2022

web the art of finding nemo mark cotta vaz 2015 11 10 pixar animation studios the academy award winning creators of toy story toy story 2 a bug s life and monsters inc are bringing a new animated movie finding nemo to the screen this summer this visually stunning underwater adventure follows eventful and comic journeys of two fish a

finding nemo animal kingdom test answer key pdf copy - Oct 12 2022

web aug 5 2023 this finding nemo animal kingdom test answer key pdf as one of the most functioning sellers here will extremely be along with the best options to review revitalizing endangered languages justyna olko 2021 04 29 written by leading international scholars and activists this guidebook

[sample administrative assistant resume cdn moneyzine com](#) - Sep 22 2023

web sample administrative assistant resume subject sample resumes author money zine com keywords resume administrative assistant secretary admin sample example last modified by william sharlow created date 5 2 2007 1 38 00 am category resume writing company money zine com llc other titles sample administrative

12 administrative assistant resumes free sample example - Aug 21 2023

web if you have experience working as an administrative assistant and wish to apply for a post of senior administrative assistant you can make use of this administrative assistant sample resume real estate administrative assistant resume *administrative assistant resume sample with job description* - Jul 20 2023

web mar 4 2023 looking for an administrative assistant resume sample check out this cv sample we ve recently produced for an administrative assistant in singapore resumewriter sg

administrative assistant resume examples for 2023 zety - Mar 16 2023

web nov 20 2023 here s one of the great administrative assistant resume examples made using our resume builder want to save time and have your resume ready in 5 minutes try our resume builder it s fast and easy to use plus you ll get ready made

content to add with one click see 20 resume templates and create your resume here create your

[administrative assistant resume examples writing tips 2023](#) - Sep 10 2022

web create an administrative assistant resume that lands you the interview with our free examples and writing tips our professional templates make it easy to format a great resume resume cover letter resume writing blog faq

11 administrative assistant resume templates pdf doc - Aug 09 2022

web pdf size 576 kb download now if you are aiming for the post of an executive administrative assistant you should download this template the professional resume format of this resume will bring attention towards your qualities in a positive way senior administrative assistant resume money zine com details file format doc docx

how to write an admin assistant resume with example - Jun 19 2023

web sep 25 2023 understanding how to write an admin assistant resume can help you prepare an effective one to submit with your job application in this article we outline what an admin assistant resume is explain how to write one and provide a template and example related administrative assistant job description with requirements

[*administrative assistant resume summary with examples*](#) - May 06 2022

web jan 23 2020 it shows employers and hiring managers a general overview of your capabilities helping them to quickly decide if you re the right candidate for the role this article shares some examples of effective administrative assistant resume summaries to help you write your own resume summary

administrative assistant resume examples and template for 2023 - May 18 2023

web aug 29 2023 write an engaging administrative assistant resume using indeed s library of free resume examples and templates customized samples based on the most contacted administrative assistant resumes from over 100 million resumes on file

15 administrative assistant resume examples for 2023 resume - Jan 14 2023

web 15 administrative assistant resume examples here s what works in 2023 your resume is key to landing an interview in today s competitive job market in order to make your resume appealing you ll want to tailor your resume to the specific job by using relevant keywords action verbs and skills

administrative resume examples indeed com - Oct 11 2022

web apr 20 2023 looking for an administrative resume use indeed library of free administrative resume examples and templates customized samples based on the most contacted resumes from over 100 million resumes on file

resumes for administrative assistants moneyzine - Oct 23 2023

web sep 26 2023 author moneyzine editor 4 mins september 26th 2023 advertiser disclosure the job market continues to be competitive so creating a resume that grabs the reader s attention is important administrative assistant and executive

secretary jobs are no exception it s important their resumes are professionally written too

6 office administrator resume templates in pdf doc - Feb 15 2023

web on the basis of these certain qualities you have chances to get hired by the hiring manager download the template of the resume of the office administrator in your computer system for a better approach and help provided by these templates 7

sample administrative assistant resume

16 administrative assistant resumes template net - Apr 05 2022

web free download this administrative assistant resume template presents the name of the candidate address contact number and email id career summary work experience areas of expertise academic qualifications administrative capabilities personal abilities and

administrative assistant resume and cover letter sample guru99 - Jul 08 2022

web oct 7 2023 i have also enclosed my resume with this cover letter that will further outline my specific administrative and clerical skills i look forward to discussing with you how my experience education and specific skills mentioned above can add to the benefit of your organization i will call email you for a follow up next week

administrative assistant resume examples tips for 2023 - Nov 12 2022

web oct 3 2023 address 2204 moody street boston ma 02124 linkedin linkedin com in yourprofile resume summary administrative assistant with 6 years of experience preparing flawless presentations assembling facility reports and maintaining schedules possess extensive expertise in microsoft excel and database management

sample administrative assistant resume money zine com - Mar 04 2022

web the sample administrative assistant resume money zine com associate that we come up with the money for here and check out the link you could purchase lead sample administrative assistant resume money zine com or get it as soon as feasible you could speedily download this sample administrative assistant resume money zine

11 administrative assistant resume examples for 2023 beamjobs - Apr 17 2023

web jul 7 2023 11 administrative assistant resume examples for 2023 stephen greet july 7 2023 as an administrative assistant you hold the keys to the castle you communicate with nearly anyone know how to manage even the busiest of schedules and can handle multiple high priority tasks simultaneously

administrative assistant resume example kickresume - Jun 07 2022

web increase your chances of scoring a job and learn to perfect your resume with this easily editable administrative assistant resume example copy paste this resume sample at no cost or customize it inside our proven and tested

administrative assistant resume 2023 guide examples - Dec 13 2022

web aug 29 2023 highlighting administrative assistant achievements let s delve into why jeremy s resume works so well and

how you can use the same features to make your own resume shine too looking for a resume example for a different position check out this list office assistant resume executive assistant resume consultant resume