

2-15.

The plate is subjected to the two forces at A and B as shown. If $\theta = 60^\circ$, determine the magnitude of the resultant of these two forces and its direction measured clockwise from the horizontal.

SOLUTION

Parallelogram Law: The parallelogram law of addition is shown in Fig. a .

Trigonometry: Using law of cosines (Fig. b), we have

$$F_R = \sqrt{8^2 + 6^2 - 2(8)(6) \cos 100^\circ}$$

$$= 10.80 \text{ kN} = 10.8 \text{ kN}$$

The angle θ can be determined using law of sines (Fig. b).

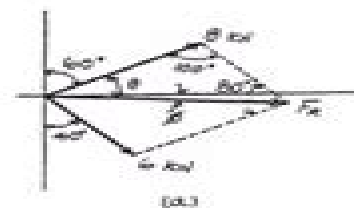
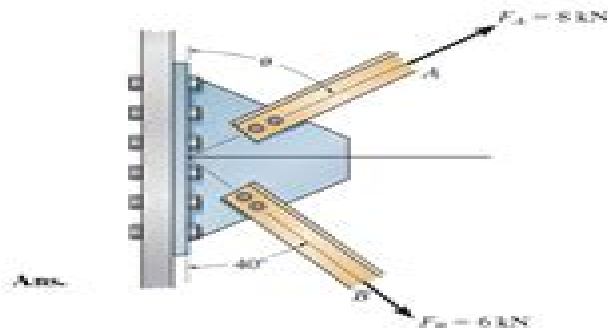
$$\frac{\sin \theta}{6} = \frac{\sin 100^\circ}{10.80}$$

$$\sin \theta = 0.5470$$

$$\theta = 33.16^\circ$$

Thus, the direction ϕ of F_R measured from the x axis is

$$\phi = 33.16^\circ - 30^\circ = 3.16^\circ$$



Ans.



Statics And Mechanics Of Materials Solutions Manual Hibbeler

Lingjun Ying



Statics And Mechanics Of Materials Solutions Manual Hibbeler:

Solution Manual to Statics and Mechanics of Materials an Integrated Approach (Second Edition) , This book is the solution manual to Statics and Mechanics of Materials an Integrated Approach Second Edition which is written by below persons William F Riley Leroy D Sturges Don H Morris **Solutions Manual [to Accompany]** R. C. Hibbeler,S. C. Fan,2005 **Engineering Mechanics** R. C. Hibbeler,2010 Companion CD contains 8 animations covering fundamental engineering mechanics concept **Solutions Manual for Engineering Mechanics** R. C. Hibbeler,1974 **Statics and Mechanics of Materials** R. C. Hibbeler,2014 Statics and Mechanics of Materials provides a comprehensive and well illustrated introduction to the theory and application of statics and mechanics of materials The text presents a commitment to the development of student problem solving skills and features many pedagogical aids unique to Hibbeler texts Mastering Engineering for Statics and Mechanics of Materials is a total learning package This innovative online program emulates the instructor s office hour environment guiding students through engineering concepts from Statics and Mechanics of Materials with self paced individualized coaching This program will provide a better teaching and learning experience for you and your students It provides Individualize Mastering Engineering emulates the instructor s office hour environment using self paced individualized coaching Problem Solving A large variety of problem types stress practical realistic situations encountered in professional practice Visualization The photorealistic art program is designed to help students visualize difficult concepts Review and Student Support A thorough end of chapter review provides students with a concise reviewing tool Accuracy The accuracy of the text and problem solutions has been thoroughly checked by four other parties *Solutions Manual : Mechanics of Materials* R. C. Hibbeler,1991 A Project-Based Introduction to Computational Statics Andreas Öchsner,2020-11-13 This book uses a novel concept to teach the finite element method applying it to solid mechanics This major conceptual shift takes away lengthy theoretical derivations in the face to face interactions with students and focuses on the summary of key equations and concepts and to practice these on well chosen example problems For this new 2nd edition many examples and design modifications have been added so that the learning by doing features of this book make it easier to understand the concepts and put them into practice The theoretical derivations are provided as additional reading and students must study and review the derivations in a self study approach The book provides the theoretical foundations to solve a comprehensive design project in tensile testing A classical clip on extensometer serves as the demonstrator on which to apply the provided concepts The major goal is to derive the calibration curve based on different approaches i e analytical mechanics and based on the finite element method and to consider further design questions such as technical drawings manufacturing and cost assessment Working with two concepts i e analytical and computational mechanics strengthens the vertical integration of knowledge and allows the student to compare and understand the different concepts as well as highlighting the essential need for benchmarking any numerical result Solutions Manual R. C. Hibbeler,1983 **Books**

in Print ,1981 **Statics and Strength of Materials** Fa-Hwa Cheng,1985 **Mechanical Materials** Russell C. Hibbeler,1994-10-01 Books in Print Supplement ,1994 **Statics and Mechanics of Materials** R. C. Hibbeler,S. C. Fan,2011 This book represents a combined abridged version of two of the author s books namely Engineering Mechanics Statics twelfth edition in SI units and Mechanics of materials eight edition *Catalog of Copyright Entries. Third Series* Library of Congress. Copyright Office,1976 **Solutions Manual, Engineering Mechanics** R. C. Hibbeler,1998
Engineering Mechanics, Statics and Dynamics Bela Imre Sandor,Karen J. Richter,1983 **Scientific and Technical Books and Serials in Print** ,1984 **Solutions Manual to Accompany Engineering Mechanics** Robert D. Snyder,Edward Ford Byars,1973 **The Cumulative Book Index** ,1992 A world list of books in the English language
700 Solved Problems In Vector Mechanics for Engineers: Dynamics Joseph F. Shelley,1991-04 Suitable for 2nd year college and university engineering students this book provides them with a source of problems with solutions in vector mechanics that covers various aspects of the basic course It offers the comprehensive solved problem reference in the subject It also provides the student with the problem solving drill

The Top Books of the Year Statics And Mechanics Of Materials Solutions Manual Hibbeler The year 2023 has witnessed a noteworthy surge in literary brilliance, with numerous compelling novels captivating the hearts of readers worldwide. Lets delve into the realm of bestselling books, exploring the captivating narratives that have enthralled audiences this year. The Must-Read : Colleen Hoover's "It Ends with Us" This poignant tale of love, loss, and resilience has captivated readers with its raw and emotional exploration of domestic abuse. Hoover masterfully weaves a story of hope and healing, reminding us that even in the darkest of times, the human spirit can triumph. Uncover the Best : Taylor Jenkins Reid's "The Seven Husbands of Evelyn Hugo" This intriguing historical fiction novel unravels the life of Evelyn Hugo, a Hollywood icon who defies expectations and societal norms to pursue her dreams. Reid's captivating storytelling and compelling characters transport readers to a bygone era, immersing them in a world of glamour, ambition, and self-discovery. Discover the Magic : Delia Owens' "Where the Crawdads Sing" This evocative coming-of-age story follows Kya Clark, a young woman who grows up alone in the marshes of North Carolina. Owens weaves a tale of resilience, survival, and the transformative power of nature, captivating readers with its evocative prose and mesmerizing setting. These bestselling novels represent just a fraction of the literary treasures that have emerged in 2023. Whether you seek tales of romance, adventure, or personal growth, the world of literature offers an abundance of compelling stories waiting to be discovered. The novel begins with Richard Papan, a bright but troubled young man, arriving at Hampden College. Richard is immediately drawn to the group of students who call themselves the Classics Club. The club is led by Henry Winter, a brilliant and charismatic young man. Henry is obsessed with Greek mythology and philosophy, and he quickly draws Richard into his world. The other members of the Classics Club are equally as fascinating. Bunny Corcoran is a wealthy and spoiled young man who is always looking for a good time. Charles Tavis is a quiet and reserved young man who is deeply in love with Henry. Camilla Macaulay is a beautiful and intelligent young woman who is drawn to the power and danger of the Classics Club. The students are all deeply in love with Morrow, and they are willing to do anything to please him. Morrow is a complex and mysterious figure, and he seems to be manipulating the students for his own purposes. As the students become more involved with Morrow, they begin to commit increasingly dangerous acts. The Secret History is a brilliant and suspenseful novel that will keep you guessing until the very end. The novel is a cautionary tale about the dangers of obsession and the power of evil.

<http://www.frostbox.com/data/browse/Documents/tempstar%20gas%20furnace%20manual.pdf>

Table of Contents Statics And Mechanics Of Materials Solutions Manual Hibbeler

1. Understanding the eBook Statics And Mechanics Of Materials Solutions Manual Hibbeler
 - The Rise of Digital Reading Statics And Mechanics Of Materials Solutions Manual Hibbeler
 - Advantages of eBooks Over Traditional Books
2. Identifying Statics And Mechanics Of Materials Solutions Manual Hibbeler
 - Exploring Different Genres
 - Considering Fiction vs. Non-Fiction
 - Determining Your Reading Goals
3. Choosing the Right eBook Platform
 - Popular eBook Platforms
 - Features to Look for in an Statics And Mechanics Of Materials Solutions Manual Hibbeler
 - User-Friendly Interface
4. Exploring eBook Recommendations from Statics And Mechanics Of Materials Solutions Manual Hibbeler
 - Personalized Recommendations
 - Statics And Mechanics Of Materials Solutions Manual Hibbeler User Reviews and Ratings
 - Statics And Mechanics Of Materials Solutions Manual Hibbeler and Bestseller Lists
5. Accessing Statics And Mechanics Of Materials Solutions Manual Hibbeler Free and Paid eBooks
 - Statics And Mechanics Of Materials Solutions Manual Hibbeler Public Domain eBooks
 - Statics And Mechanics Of Materials Solutions Manual Hibbeler eBook Subscription Services
 - Statics And Mechanics Of Materials Solutions Manual Hibbeler Budget-Friendly Options
6. Navigating Statics And Mechanics Of Materials Solutions Manual Hibbeler eBook Formats
 - ePub, PDF, MOBI, and More
 - Statics And Mechanics Of Materials Solutions Manual Hibbeler Compatibility with Devices
 - Statics And Mechanics Of Materials Solutions Manual Hibbeler Enhanced eBook Features
7. Enhancing Your Reading Experience
 - Adjustable Fonts and Text Sizes of Statics And Mechanics Of Materials Solutions Manual Hibbeler
 - Highlighting and Note-Taking Statics And Mechanics Of Materials Solutions Manual Hibbeler
 - Interactive Elements Statics And Mechanics Of Materials Solutions Manual Hibbeler
8. Staying Engaged with Statics And Mechanics Of Materials Solutions Manual Hibbeler

- Joining Online Reading Communities
 - Participating in Virtual Book Clubs
 - Following Authors and Publishers Statics And Mechanics Of Materials Solutions Manual Hibbeler
9. Balancing eBooks and Physical Books Statics And Mechanics Of Materials Solutions Manual Hibbeler
- Benefits of a Digital Library
 - Creating a Diverse Reading Collection Statics And Mechanics Of Materials Solutions Manual Hibbeler
10. Overcoming Reading Challenges
- Dealing with Digital Eye Strain
 - Minimizing Distractions
 - Managing Screen Time
11. Cultivating a Reading Routine Statics And Mechanics Of Materials Solutions Manual Hibbeler
- Setting Reading Goals Statics And Mechanics Of Materials Solutions Manual Hibbeler
 - Carving Out Dedicated Reading Time
12. Sourcing Reliable Information of Statics And Mechanics Of Materials Solutions Manual Hibbeler
- Fact-Checking eBook Content of Statics And Mechanics Of Materials Solutions Manual Hibbeler
 - Distinguishing Credible Sources
13. Promoting Lifelong Learning
- Utilizing eBooks for Skill Development
 - Exploring Educational eBooks
14. Embracing eBook Trends
- Integration of Multimedia Elements
 - Interactive and Gamified eBooks

Statics And Mechanics Of Materials Solutions Manual Hibbeler Introduction

In today's digital age, the availability of Statics And Mechanics Of Materials Solutions Manual Hibbeler books and manuals for download has revolutionized the way we access information. Gone are the days of physically flipping through pages and carrying heavy textbooks or manuals. With just a few clicks, we can now access a wealth of knowledge from the comfort of our own homes or on the go. This article will explore the advantages of Statics And Mechanics Of Materials Solutions Manual Hibbeler books and manuals for download, along with some popular platforms that offer these resources. One of the significant advantages of Statics And Mechanics Of Materials Solutions Manual Hibbeler books and manuals for download is

the cost-saving aspect. Traditional books and manuals can be costly, especially if you need to purchase several of them for educational or professional purposes. By accessing Statics And Mechanics Of Materials Solutions Manual Hibbeler versions, you eliminate the need to spend money on physical copies. This not only saves you money but also reduces the environmental impact associated with book production and transportation. Furthermore, Statics And Mechanics Of Materials Solutions Manual Hibbeler books and manuals for download are incredibly convenient. With just a computer or smartphone and an internet connection, you can access a vast library of resources on any subject imaginable. Whether you're a student looking for textbooks, a professional seeking industry-specific manuals, or someone interested in self-improvement, these digital resources provide an efficient and accessible means of acquiring knowledge. Moreover, PDF books and manuals offer a range of benefits compared to other digital formats. PDF files are designed to retain their formatting regardless of the device used to open them. This ensures that the content appears exactly as intended by the author, with no loss of formatting or missing graphics. Additionally, PDF files can be easily annotated, bookmarked, and searched for specific terms, making them highly practical for studying or referencing. When it comes to accessing Statics And Mechanics Of Materials Solutions Manual Hibbeler books and manuals, several platforms offer an extensive collection of resources. One such platform is Project Gutenberg, a nonprofit organization that provides over 60,000 free eBooks. These books are primarily in the public domain, meaning they can be freely distributed and downloaded. Project Gutenberg offers a wide range of classic literature, making it an excellent resource for literature enthusiasts. Another popular platform for Statics And Mechanics Of Materials Solutions Manual Hibbeler books and manuals is Open Library. Open Library is an initiative of the Internet Archive, a non-profit organization dedicated to digitizing cultural artifacts and making them accessible to the public. Open Library hosts millions of books, including both public domain works and contemporary titles. It also allows users to borrow digital copies of certain books for a limited period, similar to a library lending system. Additionally, many universities and educational institutions have their own digital libraries that provide free access to PDF books and manuals. These libraries often offer academic texts, research papers, and technical manuals, making them invaluable resources for students and researchers. Some notable examples include MIT OpenCourseWare, which offers free access to course materials from the Massachusetts Institute of Technology, and the Digital Public Library of America, which provides a vast collection of digitized books and historical documents. In conclusion, Statics And Mechanics Of Materials Solutions Manual Hibbeler books and manuals for download have transformed the way we access information. They provide a cost-effective and convenient means of acquiring knowledge, offering the ability to access a vast library of resources at our fingertips. With platforms like Project Gutenberg, Open Library, and various digital libraries offered by educational institutions, we have access to an ever-expanding collection of books and manuals. Whether for educational, professional, or personal purposes, these digital resources serve as valuable tools for continuous learning and self-improvement. So why not take advantage of the vast world of Statics And Mechanics Of

Materials Solutions Manual Hibbeler books and manuals for download and embark on your journey of knowledge?

FAQs About Statics And Mechanics Of Materials Solutions Manual Hibbeler Books

How do I know which eBook platform is the best for me? Finding the best eBook platform depends on your reading preferences and device compatibility. Research different platforms, read user reviews, and explore their features before making a choice. Are free eBooks of good quality? Yes, many reputable platforms offer high-quality free eBooks, including classics and public domain works. However, make sure to verify the source to ensure the eBook credibility. Can I read eBooks without an eReader? Absolutely! Most eBook platforms offer webbased readers or mobile apps that allow you to read eBooks on your computer, tablet, or smartphone. How do I avoid digital eye strain while reading eBooks? To prevent digital eye strain, take regular breaks, adjust the font size and background color, and ensure proper lighting while reading eBooks. What the advantage of interactive eBooks? Interactive eBooks incorporate multimedia elements, quizzes, and activities, enhancing the reader engagement and providing a more immersive learning experience. Statics And Mechanics Of Materials Solutions Manual Hibbeler is one of the best book in our library for free trial. We provide copy of Statics And Mechanics Of Materials Solutions Manual Hibbeler in digital format, so the resources that you find are reliable. There are also many Ebooks of related with Statics And Mechanics Of Materials Solutions Manual Hibbeler. Where to download Statics And Mechanics Of Materials Solutions Manual Hibbeler online for free? Are you looking for Statics And Mechanics Of Materials Solutions Manual Hibbeler PDF? This is definitely going to save you time and cash in something you should think about. If you trying to find then search around for online. Without a doubt there are numerous these available and many of them have the freedom. However without doubt you receive whatever you purchase. An alternate way to get ideas is always to check another Statics And Mechanics Of Materials Solutions Manual Hibbeler. This method for see exactly what may be included and adopt these ideas to your book. This site will almost certainly help you save time and effort, money and stress. If you are looking for free books then you really should consider finding to assist you try this. Several of Statics And Mechanics Of Materials Solutions Manual Hibbeler are for sale to free while some are payable. If you arent sure if the books you would like to download works with for usage along with your computer, it is possible to download free trials. The free guides make it easy for someone to free access online library for download books to your device. You can get free download on free trial for lots of books categories. Our library is the biggest of these that have literally hundreds of thousands of different products categories represented. You will also see that there are specific sites catered to different product types or categories, brands or niches related with Statics And Mechanics Of Materials Solutions Manual Hibbeler. So depending on what exactly you are searching, you will be able to choose e books to suit your own need. Need to access completely for Campbell Biology Seventh

Edition book? Access Ebook without any digging. And by having access to our ebook online or by storing it on your computer, you have convenient answers with Statics And Mechanics Of Materials Solutions Manual Hibbeler To get started finding Statics And Mechanics Of Materials Solutions Manual Hibbeler, you are right to find our website which has a comprehensive collection of books online. Our library is the biggest of these that have literally hundreds of thousands of different products represented. You will also see that there are specific sites catered to different categories or niches related with Statics And Mechanics Of Materials Solutions Manual Hibbeler So depending on what exactly you are searching, you will be able to choose ebook to suit your own need. Thank you for reading Statics And Mechanics Of Materials Solutions Manual Hibbeler. Maybe you have knowledge that, people have search numerous times for their favorite readings like this Statics And Mechanics Of Materials Solutions Manual Hibbeler, but end up in harmful downloads. Rather than reading a good book with a cup of coffee in the afternoon, instead they juggled with some harmful bugs inside their laptop. Statics And Mechanics Of Materials Solutions Manual Hibbeler is available in our book collection an online access to it is set as public so you can download it instantly. Our digital library spans in multiple locations, allowing you to get the most less latency time to download any of our books like this one. Merely said, Statics And Mechanics Of Materials Solutions Manual Hibbeler is universally compatible with any devices to read.

Find Statics And Mechanics Of Materials Solutions Manual Hibbeler :

tempstar gas furnace manual

teradyne catalyst manual

tesccc finding a way

tesccc answer key algebra 2 unit 1

tennessee school board of education

tesccc precalculus answers 2012 unit 4

terex franna at20 manual

term3 economics question paper grade10

tes untuk masuk ke smp

ten lined poems about basketball

terex pt100 forestry rubber track loader shop manual

tesccc grade 8 unit 11 science

tennessee biology eoc review 2014

tesccc algebra 2 answer key

tesccc algebra 1 unit 7 answers

Statics And Mechanics Of Materials Solutions Manual Hibbeler :

[creafirm 100 feuilles a dorer couleur argent pour pdf](#) - Jan 27 2023

web creafirm 100 feuilles a dorer couleur argent pour le moniteur scientifique de quesneville feb 22 2021 grand dictionnaire universel du xixe siecle francais a z 1805 76 jun 09 et sombre de la peinture de van gogh se décline à l aune de l argent de la dette et du sacrifice et s articule ici au travers des œuvres de claude lévi 2

free creafirm 100 feuilles a dorer couleur cuivre pour - Oct 24 2022

web creafirm 100 feuilles a dorer couleur cuivre pour 1 10 cartesienne livre papier graphique may 16 2023 200 pages 100 feuilles 8 5 x 11 pouces de 1 10 cartesienne pour vous représenter graphiquement avec influence of environmental factors on the control of grape pests diseases and weeds jun 17 2023

[creafirm 100 feuilles à dorer couleur argent pour dorure](#) - Feb 13 2022

web creafirm 100 feuilles dorer couleur argent pour dorure code promo creafirm 2020 frais de port offerts achat feuilles en or et en argent delafee decor dessin au crayon de cire pour l automne la cour des petits 2 astuces pour conserver les feuilles d automne et creafirm 100 feuilles dorer couleur argent pour dorure feuille pour dorure un

creafirm 100 feuilles à dorer couleur argent pour dorure 14x14cm - Aug 02 2023

web creafirm 100 feuilles à dorer couleur argent pour dorure 14x14cm amazon co uk home kitchen

[creafirm 100 feuilles a dorer couleur argent pour pdf](#) - Jul 01 2023

web 2 creafirm 100 feuilles a dorer couleur argent pour 2022 09 27 creafirm 100 feuilles a dorer couleur argent pour downloaded from data northitalia com by guest tyler farrell electrical world john wiley sons traditionally power engineering has been a subfield of energy engineering and electrical engineering which deals with the generation

amazon fr commentaires en ligne creafirm 100 feuilles à dorer - Feb 25 2023

web découvrez des commentaires utiles de client et des classements de commentaires pour creafirm 100 feuilles à dorer couleur cuivre pour dorure 14x14cm sur amazon fr lisez des commentaires honnêtes et non biaisés sur les produits de la part nos utilisateurs

creafirm 100 feuilles à dorer couleur argent pour dorure - Apr 29 2023

web creafirm 100 feuilles dorer couleur argent pour dorure creafirm france negozi ebay empreintes de feuilles cabane ides 100 feuilles dorer couleur or pour dorure 14x14cm avis clients creafirm moyenne 0 sur la base de 0 avis creafirm 4 boites de morceaux de feuilles dorer couleur creafirm 100 feuilles dorer couleur argent pour dorure

100 feuilles à dorer couleur argent pour dorure 14x14cm - Oct 04 2023

web dès 39 90 en 48 72h vos données bancaires cryptées expédition sous 24h 14 jours pour changer d'avis fidÉlitÉ
rÉcompensÉegagnez des bons d'achat en savoir plus sur nos garanties besoin d'infos 04 99 77 29 10 appel non surtaxé du
lundi au vendredi de 9h à 17h 250 bis rue de la marbrerie

[creafirm 100 feuilles a dorer couleur argent pour](#) - Dec 26 2022

web creafirm 100 feuilles a dorer couleur argent pour is reachable in our digital library an online right of entry to it is set as public so you can download it instantly

creafirm est un scam ou une arnaque site de argentmania - Jul 21 2022

web jan 4 2018 créafirm est un site qui propose des fournitures pour les loisirs créatifs c est une vraie caverne d ali baba pour tous ceux qui aiment créer des objets de leurs mains ou pour faire des décorations des cartes etc on trouve un choix de plus de 3000 articles regroupés en plusieurs catégories les apprêts les

[creafirm aix en provence chiffre d affaires resultat bilans sur](#) - Jun 19 2022

web feb 9 2021 creafirm société par actions simplifiée immatriculée sous le siren 799393624 a été en activité pendant 7 ans implantée à aix en provence 13290 elle était spécialisée dans le secteur d activité de la vente par automates et autres commerces de détail hors magasin éventaires ou marchés n c a societe com recense 3

[free creafirm 100 feuilles a dorer couleur argent pour](#) - Nov 24 2022

web creafirm 100 feuilles a dorer couleur argent pour trennes de minerve aux artistes jun 04 2021 dictionnaire portatif de commerce contenant la connoissance des marchandises de tous les pas etc abridged from dictionnaire universel de commerce of j savary des bruslons jan 31 2021 secrets concernant les arts et mtiers

[creafirm 100 feuilles à dorer couleur argent pour dorure 14x14cm](#) - Sep 03 2023

web creafirm 100 feuilles à dorer couleur argent pour dorure 14x14cm amazon fr livres

[creafirm 100 feuilles a dorer couleur cuivre pour pdf](#) - Aug 22 2022

web creafirm 100 feuilles a dorer couleur cuivre pour encyclopédie pratique ou établissement de grand nombre de manufactures nov manuel du peintre en batimens du fabricant de couleurs du vitrier du doreur du vernisseur et de l argenteur jul 03 2022 les secrets de la nature et de l art développés pour les alimens

[creafirm sur creavea com leader du diy](#) - Mar 29 2023

web découvrez les 0 produits de creafirm vendeur partenaire sélectionné par creavea pour sa qualité de service achat facile et sécurisé sur creavea la boutique en ligne française pour les activités manuelles et le do it yourself

avis de clients sur la boutique creafirm et commentaires réels - May 19 2022

web nov 8 2011 lisez 3 avis clients sur creafirm avant de décider l achat témoignages et commentaires sur creafirm livraison qualité et sav avis clients creafirm et évaluations des consommateurs notes et commentaires sur creafirm

représentent les avis des clients des avis creafirm proviennent par des vrais consommateurs ayant effectués des achats
creafirm 100 feuilles a dorer couleur cuivre pour - Apr 17 2022

web creafirm 100 feuilles a dorer couleur cuivre pour nouveau traité de chimie industrielle à l usage des chimistes des ingénieurs des industriels des fabricants de produits chimiques des agriculteurs des écoles d arts et manufactures et d arts et métiers etc etc jul 10 2020 princesses du monde oct 05 2022 voici 6 jolis tableaux à

creafirm 100 feuilles a dorer couleur argent pour pdf - Sep 22 2022

web 4 creafirm 100 feuilles a dorer couleur argent pour 2022 04 22 aristocrats explorers and adventurers instead the world opened up to new groups of people eager to circumvent the globe and for many of these new globetrotters traveling was synonymous with louis vuitton the french label whose iconic and functional luggage trunks could be

creafirm 100 feuilles à dorer couleur or pour dorure 14x14cm - May 31 2023

web 17 26 achetez creafirm 100 feuilles à dorer couleur or pour dorure 14x14cm livraison retours gratuits possibles voir conditions

code promo creafirm 20 de réduction valide octobre 2023 - Mar 17 2022

web en outre rejoignez le programme de fidélité pour bénéficier exclusivement d avantages et de promotions spéciales réservées aux membres les plus loyaux code promo important creafirm 20 plus de 7 codes promos et offres disponibles en octobre 2023 très faciles à utiliser pour vous

pdf power electronics converters applications and design third - Jan 08 2023

web power electronics converters applications and design third edition fernanda de souza vianna in most power electronic applications the power input is in the form of a 50or 60 hz sine wave ac voltage provided by the electric utility that is first converted to a dc voltage

power electronics converters applications and design - Apr 30 2022

web offering step by step in depth coverage the new third edition of power electronics converters applications and design provides a cohesive presentation of power electronics fundamentals for applications and design

power electronics converters applications and design - Jun 01 2022

web power electronics converters applications and design ciltli kapak 25 eylül 2002 İngilizce baskı ned mohan eser sahibi 71 değerlendirme tüm biçimleri ve sürümleri görün

power electronics converters applications and design 3rd edition - Sep 04 2022

web welcome to the web site for power electronics converters applications and design media enhanced third edition by ned mohan tore m undeland and william p robbins this web site gives you access to the rich tools and resources available for this text

power electronics converters applications and design ned - Oct 05 2022

web offering step by step in depth coverage the new third edition of power electronics converters applications and design provides a cohesive presentation of power electronics

power electronics converters applications and design - Feb 09 2023

web oct 10 2002 offering step by step in depth coverage the new third edition of power electronics converters applications and design provides a cohesive presentation of power electronics fundamentals for applications and design in

power electronics converters applications and design 3rd ed - Mar 10 2023

web offering step by step in depth coverage the new third edition of power electronics converters applications and design provides a cohesive presentation of power electronics fundamentals for applications and design

power electronics converters applications and design 3rd scribd - Mar 30 2022

web mohan power electronics converters applications and design 3rd edition 1 free ebook download as pdf file pdf text file txt or view presentation slides online scribd is the world s largest social reading and publishing site

solution manual for power electronics converters applications - Jan 28 2022

web testbank23 provides instant download access to power electronics converters applications and design 3rd edition solution manual 9780471226932 0471226939

mohan undeland robbins power electronics converters applications - Jul 02 2022

web power electronics converters applications and design 3rd edition home browse by chapter browse by chapter browse by resource browse by resource more information more information optimizing the utility interface with power electronic systems p spice software requires winzip or equivalent software chapter slides pdf requires

power electronic converters wiley online books - Feb 26 2022

web oct 12 2017 clearly organized into four parts the first treats the dynamics and control of conventional converters while the second part covers the dynamics and control of dc dc converters in renewable energy applications including an introduction to the sources as well as the design of current fed converters applying duality transformation methods

power electronics converters applications and design 3rd - Jul 14 2023

web description offering step by step in depth coverage the new third edition of power electronics converters applications and design provides a cohesive presentation of power electronics fundamentals for applications and design in

wiley power electronics converters applications and design 3rd - Dec 27 2021

web description offering step by step in depth coverage the new third edition of power electronics converters applications and design provides a cohesive presentation of power electronics fundamentals for applications and design in

download power electronics converters applications and design - Dec 07 2022

web download pdf power electronics converters applications and design pdf 3ktf7f9qekg0 offering step by step in depth coverage the new third edition of power electronics converters applications and desi

[power electronics converters applications and design rent](#) - Aug 03 2022

web oct 10 2002 offering step by step in depth coverage the new third edition of power electronics converters applications and design provides a cohesive presentation of power electronics fundamentals for applications and design in

power electronics converters applications and design pdf - May 12 2023

web e book overview offering step by step in depth coverage the new third edition of power electronics converters applications and design provides a cohesive presentation of power electronics fundamentals for applications and design in

power electronics converters applications and design 3rd - Aug 15 2023

web description offering step by step in depth coverage the new third edition of power electronics converters applications and design provides a cohesive presentation of power electronics fundamentals for applications and design in

pdf power electronics converters applications and design - Nov 06 2022

web download power electronics converters applications and design by ned mohan tore m undeland william p robbins offering step by step in depth coverage the new third edition of power electronics converters applications and design provides a cohesive presentation

power electronics converters applications and design 3rd - Jun 13 2023

web description offering step by step in depth coverage the new third edition of power electronics converters applications and design provides a cohesive presentation of power electronics fundamentals for applications and design in

pdf power electronics converters applications and design third - Apr 11 2023

web power electronics converters applications and design third edition ned mohan department of electrical engineering university of minnesota minneapolis minnesota tore m undeland department of electrical power engineering norwegian university of science and technology ntnu trondheim norway william p

dictionnaires définition par thématiques - Oct 24 2021

web dictionnaires définitions choisissez la thématique de votre choix dictionnaire animaux dictionnaire sport le domaine du sport possède son propre voculaire

dictionnaire de l a c conomie de a a z pdf uniport edu - Mar 29 2022

web may 27 2023 dictionnaire de l a c conomie de a a z 1 4 downloaded from uniport edu ng on may 27 2023 by guest dictionnaire de l a c conomie de a a z

dictionnaire de l a c conomie de a a z 2023 - Aug 02 2022

web dictionnaire de l a c conomie de a a z a literary masterpiece penned by a renowned author readers attempt a

dictionnaire de l a c conomie de a a z 2023 - Aug 02 2022

web dictionnaire de l a c conomie de a a z a literary masterpiece penned by a renowned author readers attempt a

transformative journey unlocking the secrets and untapped

dictionnaire de l a c conomie de a a z copy - Mar 09 2023

web dictionnaire de l a c conomie de a a z de a architectura together we bring architecture to schools jan 29 2022 web de a architectura association is launching in 2023 a new

dictionnaire de l a c conomie de a a z wrbb neu - Jan 07 2023

web dictionnaire de l a c conomie de a a z this is likewise one of the factors by obtaining the soft documents of this dictionnaire de l a c conomie de a a z by online you

dictionnaire de l a c conomie de a a z pdf download only - Apr 29 2022

web may 31 2023 conomie de a a z pdf getting the books dictionnaire de l a c conomie de a a z pdf now is not type of inspiring means you could not unaided going behind

dictionnaire de l a c conomie de a a z copy uniport edu - Nov 24 2021

web apr 14 2023 dictionnaire de l a c conomie de a a z 1 6 downloaded from uniport edu ng on april 14 2023 by guest dictionnaire de l a c conomie de a a z

dictionnaire de l économie de a à z by pierre bezbakh sophie - May 31 2022

web jul 27 2023 dictionnaire de l économie de a à z by pierre bezbakh sophie gherardi faire l conomie de traduction dictionnaire franais dictionnaire d conomie et de

dictionnaire de l a c conomie de a a z pdf hipertexto - Jun 12 2023

web dictionnaire de l a c conomie de a a z pdf as recognized adventure as well as experience just about lesson amusement as without difficulty as treaty can be gotten by

l économie de a à z openedition journals - Aug 14 2023

web oct 17 2013 présentation de l éditeur pour comprendre l économie et ses enjeux encore faut il en connaître et en maîtriser les termes de a comme aaa à z comme zone monétaire la nouvelle édition de l économie de a à z dictionnaire économique et

définition de de a à z dictionnaire français la langue française - Nov 05 2022

web définition de de a à z présentée par lalanguefrancaise com ces définitions du mot de a à z sont données à titre indicatif et proviennent de dictionnaires libres de droits les

dictionnaire de l a c conomie de a a z pdf trilhoscacao - Jan 27 2022

web dictionnaire de l a c conomie de a a z pdf recognizing the exaggeration ways to get this book dictionnaire de l a c conomie de a a z pdf is additionally useful you have

le dictionnaire dictionnaire français en ligne gratuit - Feb 08 2023

web dictionnaire en ligne de 95 000 définitions françaises synonymes et conjugaison le seul dictionnaire illustré des milliers de définitions avec photos

[dictionnaire de l a c conomie de a a z dev clearwatersystems](#) - Sep 22 2021

web dictionnaire de l a c conomie de a a z is available in our digital library an online access to it is set as public so you can get it instantly our books collection spans in multiple

dictionnaire de l a c conomie de a a z - May 11 2023

web dictionnaire de l a c conomie de a a z bottin administratif jan 04 2021 the crime beat aug 23 2022 a brilliant reporter haunted by her husband s death a disgraced

dictionnaire de l économie de a à z by pierre bezbakh sophie - Apr 10 2023

web encyclopdia universalis dictionnaire universel des arts et mtiers et de l dictionnaire d conomie et de sciences sociales by jean l conomie traduction franais allemand

[abu dictionnaires conservatoire national des arts et métiers](#) - Feb 25 2022

web dictionnaires électroniques du ladl multext du laboratoire parole et langage de l université de provence vous pouvez aussi consulter la liste des dictionnaires et

[dictionnaire de l a c conomie de a a z uniport edu](#) - Dec 26 2021

web dictionnaire de l a c conomie de a a z 1 4 downloaded from uniport edu ng on june 28 2023 by guest dictionnaire de l a c conomie de a a z when people should go to the

dictionnaire de l a c conomie de a a z pdf full pdf black ortax - Jul 01 2022

web dictionnaire de l a c conomie de a a z pdf upload jason h williamson 2 2 downloaded from black ortax org on september 6 2023 by jason h williamson dictionnaire raisonné

dictionnaire de l a c conomie de a a z pdf wrbb neu - Sep 03 2022

web de a a z and numerous books collections from fictions to scientific research in any way along with them is this dictionnaire de l a c conomie de a a z that can be your

l économie de a à z collectif alternatives économiques - Dec 06 2022

web sep 14 2009 de a comme abattement à z comme zone monétaire ce dictionnaire est bien plus qu un simple lexique d économie en 320 pages et 1200 définitions il s efforce

dictionnaire de l économie de a à z by pierre bezbakh sophie - Oct 04 2022

web dictionnaire de l économie de a à z bezbakh pierre gherardi sophie on free shipping on qualifying offers dictionnaire de l économie de a à z dictionnaire d A conomie et de

le dictionnaire de l économie economie gouv fr - Jul 13 2023

web comité d harmonisation de l audit interne de l État chaie commission d examen des pratiques commerciales cepc
commission interministérielle de coordination des