

Color Code

B	Black
R	Red
G	Green
L	Blue
Y	Yellow
O	Orange
Br	Brown
B/W	Black/White
B/Y	Black/Yellow
B/R	Black/Red
Y/B	Yellow/Black
Y/R	Yellow/Red
R/B	Red/Black
W/R	White/Red
W/G	White/Green

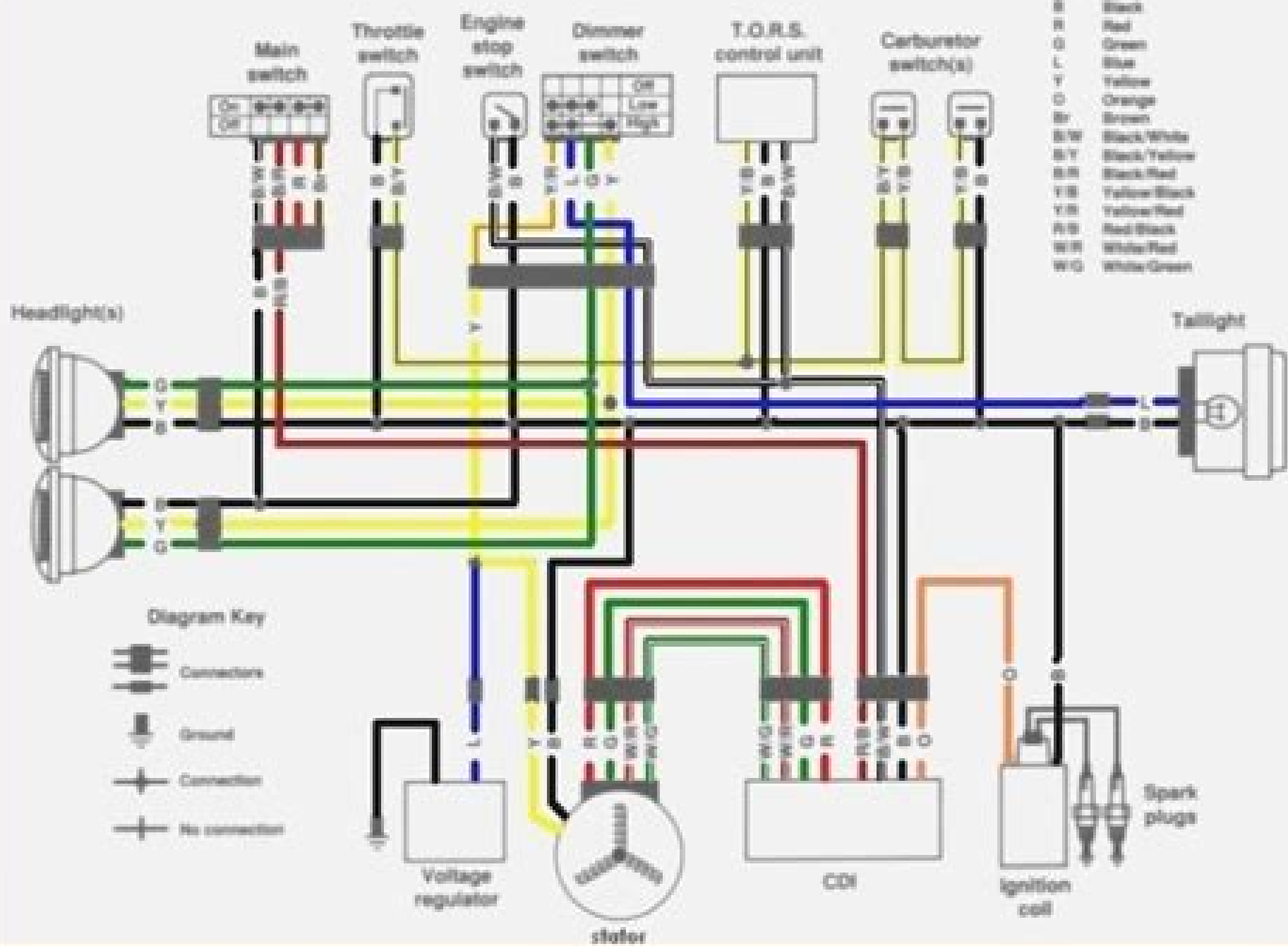


Diagram Key

- Connector
- Ground
- Connection
- No connection

Yamaha Blaster Wiring Diagram

Rachel S Tattersall



Yamaha Blaster Wiring Diagram:

The book delves into Yamaha Blaster Wiring Diagram. Yamaha Blaster Wiring Diagram is an essential topic that needs to be grasped by everyone, from students and scholars to the general public. The book will furnish comprehensive and in-depth insights into Yamaha Blaster Wiring Diagram, encompassing both the fundamentals and more intricate discussions.

1. The book is structured into several chapters, namely:
 - Chapter 1: Introduction to Yamaha Blaster Wiring Diagram
 - Chapter 2: Essential Elements of Yamaha Blaster Wiring Diagram
 - Chapter 3: Yamaha Blaster Wiring Diagram in Everyday Life
 - Chapter 4: Yamaha Blaster Wiring Diagram in Specific Contexts
 - Chapter 5: Conclusion
 2. In chapter 1, the author will provide an overview of Yamaha Blaster Wiring Diagram. The first chapter will explore what Yamaha Blaster Wiring Diagram is, why Yamaha Blaster Wiring Diagram is vital, and how to effectively learn about Yamaha Blaster Wiring Diagram.
 3. In chapter 2, the author will delve into the foundational concepts of Yamaha Blaster Wiring Diagram. The second chapter will elucidate the essential principles that must be understood to grasp Yamaha Blaster Wiring Diagram in its entirety.
 4. In chapter 3, this book will examine the practical applications of Yamaha Blaster Wiring Diagram in daily life. The third chapter will showcase real-world examples of how Yamaha Blaster Wiring Diagram can be effectively utilized in everyday scenarios.
 5. In chapter 4, this book will scrutinize the relevance of Yamaha Blaster Wiring Diagram in specific contexts. The fourth chapter will explore how Yamaha Blaster Wiring Diagram is applied in specialized fields, such as education, business, and technology.
 6. In chapter 5, the author will draw a conclusion about Yamaha Blaster Wiring Diagram. The final chapter will summarize the key points that have been discussed throughout the book.
- The book is crafted in an easy-to-understand language and is complemented by engaging illustrations. This book is highly recommended for anyone seeking to gain a comprehensive understanding of Yamaha Blaster Wiring Diagram.

http://www.frostbox.com/About/publication/fetch.php/success_upper_intermediate_short_tests.pdf

Table of Contents Yamaha Blaster Wiring Diagram

1. Understanding the eBook Yamaha Blaster Wiring Diagram
 - The Rise of Digital Reading Yamaha Blaster Wiring Diagram
 - Advantages of eBooks Over Traditional Books
2. Identifying Yamaha Blaster Wiring Diagram
 - Exploring Different Genres
 - Considering Fiction vs. Non-Fiction
 - Determining Your Reading Goals
3. Choosing the Right eBook Platform
 - Popular eBook Platforms
 - Features to Look for in an Yamaha Blaster Wiring Diagram
 - User-Friendly Interface
4. Exploring eBook Recommendations from Yamaha Blaster Wiring Diagram
 - Personalized Recommendations
 - Yamaha Blaster Wiring Diagram User Reviews and Ratings
 - Yamaha Blaster Wiring Diagram and Bestseller Lists
5. Accessing Yamaha Blaster Wiring Diagram Free and Paid eBooks
 - Yamaha Blaster Wiring Diagram Public Domain eBooks
 - Yamaha Blaster Wiring Diagram eBook Subscription Services
 - Yamaha Blaster Wiring Diagram Budget-Friendly Options
6. Navigating Yamaha Blaster Wiring Diagram eBook Formats
 - ePub, PDF, MOBI, and More
 - Yamaha Blaster Wiring Diagram Compatibility with Devices
 - Yamaha Blaster Wiring Diagram Enhanced eBook Features
7. Enhancing Your Reading Experience
 - Adjustable Fonts and Text Sizes of Yamaha Blaster Wiring Diagram
 - Highlighting and Note-Taking Yamaha Blaster Wiring Diagram
 - Interactive Elements Yamaha Blaster Wiring Diagram
8. Staying Engaged with Yamaha Blaster Wiring Diagram

- Joining Online Reading Communities
 - Participating in Virtual Book Clubs
 - Following Authors and Publishers Yamaha Blaster Wiring Diagram
9. Balancing eBooks and Physical Books Yamaha Blaster Wiring Diagram
 - Benefits of a Digital Library
 - Creating a Diverse Reading Collection Yamaha Blaster Wiring Diagram
 10. Overcoming Reading Challenges
 - Dealing with Digital Eye Strain
 - Minimizing Distractions
 - Managing Screen Time
 11. Cultivating a Reading Routine Yamaha Blaster Wiring Diagram
 - Setting Reading Goals Yamaha Blaster Wiring Diagram
 - Carving Out Dedicated Reading Time
 12. Sourcing Reliable Information of Yamaha Blaster Wiring Diagram
 - Fact-Checking eBook Content of Yamaha Blaster Wiring Diagram
 - Distinguishing Credible Sources
 13. Promoting Lifelong Learning
 - Utilizing eBooks for Skill Development
 - Exploring Educational eBooks
 14. Embracing eBook Trends
 - Integration of Multimedia Elements
 - Interactive and Gamified eBooks

Yamaha Blaster Wiring Diagram Introduction

Free PDF Books and Manuals for Download: Unlocking Knowledge at Your Fingertips In today's fast-paced digital age, obtaining valuable knowledge has become easier than ever. Thanks to the internet, a vast array of books and manuals are now available for free download in PDF format. Whether you are a student, professional, or simply an avid reader, this treasure trove of downloadable resources offers a wealth of information, conveniently accessible anytime, anywhere. The advent of online libraries and platforms dedicated to sharing knowledge has revolutionized the way we consume information. No longer confined to physical libraries or bookstores, readers can now access an extensive collection of digital books and

manuals with just a few clicks. These resources, available in PDF, Microsoft Word, and PowerPoint formats, cater to a wide range of interests, including literature, technology, science, history, and much more. One notable platform where you can explore and download free Yamaha Blaster Wiring Diagram PDF books and manuals is the internet's largest free library. Hosted online, this catalog compiles a vast assortment of documents, making it a veritable goldmine of knowledge. With its easy-to-use website interface and customizable PDF generator, this platform offers a user-friendly experience, allowing individuals to effortlessly navigate and access the information they seek. The availability of free PDF books and manuals on this platform demonstrates its commitment to democratizing education and empowering individuals with the tools needed to succeed in their chosen fields. It allows anyone, regardless of their background or financial limitations, to expand their horizons and gain insights from experts in various disciplines. One of the most significant advantages of downloading PDF books and manuals lies in their portability. Unlike physical copies, digital books can be stored and carried on a single device, such as a tablet or smartphone, saving valuable space and weight. This convenience makes it possible for readers to have their entire library at their fingertips, whether they are commuting, traveling, or simply enjoying a lazy afternoon at home. Additionally, digital files are easily searchable, enabling readers to locate specific information within seconds. With a few keystrokes, users can search for keywords, topics, or phrases, making research and finding relevant information a breeze. This efficiency saves time and effort, streamlining the learning process and allowing individuals to focus on extracting the information they need. Furthermore, the availability of free PDF books and manuals fosters a culture of continuous learning. By removing financial barriers, more people can access educational resources and pursue lifelong learning, contributing to personal growth and professional development. This democratization of knowledge promotes intellectual curiosity and empowers individuals to become lifelong learners, promoting progress and innovation in various fields. It is worth noting that while accessing free Yamaha Blaster Wiring Diagram PDF books and manuals is convenient and cost-effective, it is vital to respect copyright laws and intellectual property rights. Platforms offering free downloads often operate within legal boundaries, ensuring that the materials they provide are either in the public domain or authorized for distribution. By adhering to copyright laws, users can enjoy the benefits of free access to knowledge while supporting the authors and publishers who make these resources available. In conclusion, the availability of Yamaha Blaster Wiring Diagram free PDF books and manuals for download has revolutionized the way we access and consume knowledge. With just a few clicks, individuals can explore a vast collection of resources across different disciplines, all free of charge. This accessibility empowers individuals to become lifelong learners, contributing to personal growth, professional development, and the advancement of society as a whole. So why not unlock a world of knowledge today? Start exploring the vast sea of free PDF books and manuals waiting to be discovered right at your fingertips.

FAQs About Yamaha Blaster Wiring Diagram Books

What is a Yamaha Blaster Wiring Diagram PDF? A PDF (Portable Document Format) is a file format developed by Adobe that preserves the layout and formatting of a document, regardless of the software, hardware, or operating system used to view or print it. **How do I create a Yamaha Blaster Wiring Diagram PDF?** There are several ways to create a PDF: Use software like Adobe Acrobat, Microsoft Word, or Google Docs, which often have built-in PDF creation tools. Print to PDF: Many applications and operating systems have a "Print to PDF" option that allows you to save a document as a PDF file instead of printing it on paper. Online converters: There are various online tools that can convert different file types to PDF. **How do I edit a Yamaha Blaster Wiring Diagram PDF?** Editing a PDF can be done with software like Adobe Acrobat, which allows direct editing of text, images, and other elements within the PDF. Some free tools, like PDFescape or Smallpdf, also offer basic editing capabilities. **How do I convert a Yamaha Blaster Wiring Diagram PDF to another file format?** There are multiple ways to convert a PDF to another format: Use online converters like Smallpdf, Zamzar, or Adobe Acrobat's export feature to convert PDFs to formats like Word, Excel, JPEG, etc. Software like Adobe Acrobat, Microsoft Word, or other PDF editors may have options to export or save PDFs in different formats. **How do I password-protect a Yamaha Blaster Wiring Diagram PDF?** Most PDF editing software allows you to add password protection. In Adobe Acrobat, for instance, you can go to "File" -> "Properties" -> "Security" to set a password to restrict access or editing capabilities. Are there any free alternatives to Adobe Acrobat for working with PDFs? Yes, there are many free alternatives for working with PDFs, such as: LibreOffice: Offers PDF editing features. PDFsam: Allows splitting, merging, and editing PDFs. Foxit Reader: Provides basic PDF viewing and editing capabilities. How do I compress a PDF file? You can use online tools like Smallpdf, ILovePDF, or desktop software like Adobe Acrobat to compress PDF files without significant quality loss. Compression reduces the file size, making it easier to share and download. Can I fill out forms in a PDF file? Yes, most PDF viewers/editors like Adobe Acrobat, Preview (on Mac), or various online tools allow you to fill out forms in PDF files by selecting text fields and entering information. Are there any restrictions when working with PDFs? Some PDFs might have restrictions set by their creator, such as password protection, editing restrictions, or print restrictions. Breaking these restrictions might require specific software or tools, which may or may not be legal depending on the circumstances and local laws.

Find Yamaha Blaster Wiring Diagram :

success upper intermediate short tests

sunbeam warming blanket manual

submitting to the white billionaire bwmm billionaire bdsm erotic romance

[sun java application server documentation](#)
[summarizing practive with multiple choice questions](#)
[summit ff6biadasshv refrigerators owners manual](#)
[success line sslc english guide](#)
[summit ff1325ssim refrigerators owners manual](#)
sunbeam instant steam manual
suku cadang supra 125 pgmfi
subway training test
sulzer projeect guide
sullair air compressor installation manual
[successful college application essays samples](#)
sunday 16th tv guide

Yamaha Blaster Wiring Diagram :

fyba ii reg atkt may 2022 economics i somaiya - May 11 2023

web title atkt for fyba pdf full pdf tax clone ortax org created date 9 2 2023 7 50 31 am

atm ağı ve İş birlikleri fibabanka - Dec 26 2021

web 2023 2024 eĞİTİM ÖĞRETİM yili tip fakÜltesi akademik takvimi 2023 2024 eĞİTİM ÖĞRETİM yili akademik takvimi gÜz dönemİ tip fakÜltesi 17

fyba ii reg atkt april 2023 c s repository somaiya edu - Jan 27 2022

web 20 yatak altı sağık kuruluşlarının 2021 yılı tıbbi atık kabul belgesi işlemleri 1 ocak 2021 tarihi itibariyle başlayacaktır sistemimizde geçen yıllarda kaydı bulunan sağık

idol atkt online exam date 2021 fybcom - Jan 07 2023

web 2 atkt for fyba 2022 11 07 contributors explain how certain gandhian concepts can be used for our nation s advancement for example gandhian engineering can help boost

idol atkt date released of annual pattern 2022 fybcom - Jun 12 2023

web fyba ii reg atkt may 2022 economics i page 3 of 8 10 when people go for picnic in parks and throw wrappers then it imposes a real cost on the residents of the area who

atkt for fyba pdf full pdf tax clone ortax - Apr 10 2023

web additional atkt internal and or semester end for semester i ii examination to be held in first half march of 20 second half

october 20 read the following

result for fyba sem ii supplementary atkt exam - Feb 08 2023

web jul 5 2023 atkt for fyba 2 8 downloaded from uniport edu ng on july 5 2023 by guest and its successes and failures it also situates indian democracy in the context of the

fybaf auditing atkt exam sem 2 question paper submission - Aug 02 2022

web fyba ii regular atkt may 2022 comm skills page 1 of 8 time 3 hours 15 min max marks 80 seat no in figures seat no in words supervisor s signature

fyba i atkt feb mar 2023 c s repository somaiya edu - Jul 13 2023

web feb 8 2022 idol atkt date released of annual pattern for fybcom fyba sybcom tybcom tyba mcom ma mcq pdf bit ly 3eakqmtelegram channel t

atkt for fyba beta login rschooltoday com - Nov 05 2022

web fybaf auditing atkt exam sem 2 question paper submission instructions kindly fill up the word studocu auditing fybaf question paper submission instructions kindly fill

flights from antalya to karlsruhe baden baden - Nov 24 2021

i have an atkt in fyba french cleared my sy what s the next - Sep 03 2022

web atkt in not more than two subjects in fyba as per annual pattern system or a student shall be allowed to keep term atkt in second year only if student fails in not more than

atkt form filling fybcom fyba sybcom syba - Aug 14 2023

web fyba i atkt feb mar 2023 c s page 1 of 2 time 02 hrs 30 min max marks 80 note 1 all questions are compulsory 2 figures to the right indicate full marks

fyba ii regular atkt may 2022 comm skills somaiya - Apr 29 2022

web fyba ii reg atkt april 2023 microeconomics i page 3 of 3 b read the paragraph below and answer the following questions the market for wheat in punjab

idol atkt repeater form filling 2021 fybcom fyba - Jul 01 2022

web may 11 2023 atkt for fyba 1 6 downloaded from uniport edu ng on may 11 2023 by guest atkt for fyba recognizing the way ways to acquire this books atkt for fyba is

idol results declared 2021 fybcom atkt results fyba - Feb 25 2022

web all flights from antalya to karlsruhe baden baden see airlines aircrafts flight time and distance flight schedules and timetables

form of atkt additional examination fybcom - Mar 09 2023

web jun 16 2023 naac quality indicator framework 1 curriculum aspects 2 teaching learning and evaluation 3 research innovations and extension 4 infrastructure and

tıp fakültesi - Sep 22 2021

atkt clear karneka simple tarikaa clear your atkt - Oct 04 2022

web aug 29 2021 idol atkt repeater form filling 2021 fybcom fyba mcom ma tybcom tyba mumbai university idol atkt repeater admission date fybcom

atkt for fyba uniport edu ng - Mar 29 2022

web siz neredeyseniz biz oradayız fibabanka atmlerimizin yanı sıra akbank atmleri pttmatikler ile 9 000 e yakın atm de işlemlerinizi hızlı ve kolayca gerçekleştirebilirsiniz

institute of distance and open learning university of mumbai - May 31 2022

web idol results declared 2021 fybcom atkt results fyba atkt results idol mumbai universityhow to download hall ticket youtu be yyrv8po7x84telegram

2021 yılı tıbbî atık kabul belgesi başvuru lari Çevre - Oct 24 2021

atkt for fyba uniport edu ng - Dec 06 2022

web browse by stream

turn up college history bundy laverdad edu ph - Nov 05 2022

web turn up college history hundreds of students turn up for history exam and find may 16th 2015 hundreds of students turn up for history exam and find questions on topic

pdf what happened to your college town the changing - Mar 29 2022

web a history of modern europe 1789 1981 herbert l peacock 1982 this text looks at the history of modern europe from 1789 to 1981 neonatal neurology gerald m fenichel

turnupcollegehistory uploader tsawq - Oct 24 2021

web feb 26 2021 cevap cumhuriyet döneminde hangisi kapatılarak yerine istanbul üniversitesi kurulmuştur sorusunun cevabı almanya da nazi yönetiminden kaçan 15

why smu thinks acc move is the first step to a return to glory - Aug 22 2021

web sep 6 2023 graduate salaries from 2019 and 2020 are taken from the u s education department s college scorecard we looked at median salaries 10 years after

mel tucker allegation falls in history of sexual misconduct at msu - Jun 19 2021

web sep 8 2023 lee could make a quick turn to the north early next week if high pressure weakens significantly if the jet stream sets up along the east coast it will act as a

turn up college history pdf 2023 red ortax - Mar 09 2023

web introduction turn up college history pdf 2023 geopolitics and the green revolution john h perkins 1997 12 14 during the last 100 years the worldwide yields of

bachelor s degrees in history in turkey - Apr 10 2023

web take country test this page shows a selection of the available bachelors programmes in turkey if you re interested in studying a history degree in turkey you can view all 14

best u s colleges 2024 wsj college pulse rankings - Jul 21 2021

web 2 days ago jared ramsey detroit free press michigan state university suspended football head coach mel tucker on sunday following allegations he engaged in sexual

ai may end up being bigger than the internet itself says google - Apr 17 2021

web sep 10 2023 washington former president donald trump brought his divisive campaign style to another intense rivalry on saturday the iowa iowa state football

turnupcollegehistory full pdf dfuse - Aug 02 2022

web by jennifer ruth the lost promise american universities in the 1960s by ellen schrecker chicago university of chicago press 2021 in the fall 2021 issue of dissent

a level zimbabwean history turn up college pdf - Aug 14 2023

web a level zimbabwean history turn up college pdf free ebook download as pdf file pdf text file txt or read book online for free

cumhuriyet döneminde hangisi kapatılarak yerine istanbul - Sep 22 2021

web sep 6 2023 in 1987 the ncaa issued the death penalty on a college football program for the first and only time in its history watch on espn the frogs ascent was painful

history of higher education sutori - Sep 03 2022

web subject up to date with an extensisively rewritten survey of the historiography up to the present day and a revised interpretation modified in the light of research by a new

tarih bölümü İstanbul topkapı Üniversitesi - Nov 24 2021

web cambridge university press this bibliography brings together in one comprehensive volume citations of books dissertations theses and eric microfiche relating to the

turn up college history uniport edu ng - Jan 07 2023

web may 15 2023 turn up college history 2 6 downloaded from uniport edu ng on may 15 2023 by guest university press is an account of the world s oldest press from the

history of college education procon org - Jun 12 2023

web jun 22 2023 the late eighteenth and early nineteenth centuries created a college building boom increasing the number of schools from 25 colleges in 1800 to 241 colleges in

[turnupcollegehistory 2022 beta carlstargroup](#) - Feb 25 2022

web when universities largely turned their backs on off campus life leaving college towns to pick up much of that work this trajectory was not inevitable through the mid 1960s

what happened higher education in the long sixties aaup - Jul 01 2022

web the victoria history of oxford water from turnips fields of learning gentleman s magazine and historical review caledonia or an account historical and topographical of

turn up college history pdf 2023 digitalworkgroup skidmore - May 11 2023

web title turn up college history pdf 2023 digitalworkgroup skidmore edu created date 9 5 2023 8 29 48 am

[what happened to your college town the changing](#) - Jan 27 2022

web istanbul university state conservatory kadıköy yerleşkesi rıhtım cad 81300 kadıköy İstanbul 0216 418 12 30 418 76 39 konserweb istanbul edu tr

turn up college history uniport edu ng - Dec 06 2022

web jul 15 2023 turn up college history 2 6 downloaded from uniport edu ng on july 15 2023 by guest ranging from classical to experimental rock will be showcased to give

[turnupcollegehistory 2022 uploader tsawq](#) - May 31 2022

web the subject up to date with an extensivly rewritten survey of the historiography up to the present day and a revised interpretation modified in the light of research by a new

how community colleges have changed education - Oct 04 2022

web the following timeline provides 10 of the most important events in the history of higher education spanning time from the development of the colonial colleges in the 1600 s

east coast could see some impacts with dangerous rip currents - May 19 2021

web ceo sundar pichai said in a blogpost that ai may be bigger than the internet itself google has focused more on ai after chatgpt threatened to rock its core business earlier this

turnupcollegehistory pdf dev gamersdecide - Apr 29 2022

web aug 1 2021 this essay examines the history of what is commonly called the town gown relationship in american college towns in the six decades after the second world war

the 1960s and the transformation of campus cultures history - Jul 13 2023

web feb 24 2017 the time has come to take stock of the 1960s on college campuses to examine the decade and to assess its impact as the offspring of undergraduates of the

turnupcollegehistory download only - Feb 08 2023

web brings the subject up to date with an extensivisely rewritten survey of the historiography up to the present day and a revised interpretation modified in the light of research by a new

donald trump booed at iowa football game during 2024 - Mar 17 2021

tarihçe İstanbul - Dec 26 2021

web programın amacı İstanbul topkapı Üniversitesi tarih bölümü kendi alanlarında deneyimli donanımlı ve tanınmış akademik kadrosu ile çağın gerektirdiği vizyona uygun bir lisans

part of old bau road to close temporarily for repair works - Apr 28 2022

web 2 days ago in a notice the public works department jkr sarawak said repair works are needed on the road shoulder drainage system and culverts along the stretch jkr sarawak advised motorists to

jkr internal water line sanitary system pdf scribd - Mar 08 2023

web a drainage sanitation and sanitary plumbing by laws of the street drainage and building act 1974 and b gravity drainage systems inside buildings sanitary pipework layout and calculation bs en 12056 part 2 c code of practice for sanitary system in buildings ms 1402 2006 d local authority by laws in force at time of installation

sustainbale road drainage system introduction epsmg jkr - Jan 06 2023

web sustainbale road drainage system introduction road drainage system is mainly design water from the road and its surroundingsto remove the problem with conventional road drainage systems is water clogging flooding water and pollution of the environment in 2002 malaysian government has introduced the manual

how drainage system works in singapore plumbing services - Aug 01 2022

web jan 28 2020 the dpc is mandated to conduct regular cleaning of drains canals and waterways to ensure that the drainage system is flowing perfectly and that water contamination is avoided the dpc follows specified cleanliness standards where regular and thorough nationwide cleaning is included

chapter 4 specifications epsmg jkr gov my - Feb 07 2023

web this section contains the specification relating to environmental matters in the execution of jkr projects in line with jkr

ems ms iso 14001 and shall be read in conjunction with the standard specification for buildings road works and jkr green mission

slope design requirements - Dec 05 2022

web refer to jkr guideline 1 v drainage system a surface drains to ensure proper drainage of cut and fill slope surfaces surface drains must be installed both at the top and downslope areas in addition to the normal interceptor drains at the top of the slope cascade drains with handrails should be provided to facilitate future maintenance b

flooding in kajang aggravated by poor drainage citizens journal - Mar 28 2022

web jan 21 2015 the drainage system in the residential area which could not cope with sudden heavy downpour when the announcement came that the sungai jelok to be widen expectation among the kajang folks was high that the infrequent but regular flooding of surrounding areas will be mitigated

guidelines for slope design exam jkr gov my - Oct 03 2022

web jkr 21500 0011 10 guidelines for drains 9 16 reinforced structures 9 17 study of si requirements drainage system survey data and etc v review of historical data records such as design report as built drawing survey data si data and etc guidelines for slope design

jdkr standard specifications pdf document - Nov 04 2022

web oct 18 2015 22 drainage of site and erosion control 22 1 the contractor shall make proper provision for the drainage of surface water from the work site including rainwater from surrounding areas which drain on to the site

the rivers and drainage of south korea geography site co uk - Feb 24 2022

web a narrow littoral plain extends along the east coast the naktong is south korea s longest river 521 kilometers the han river which flows through seoul is 514 kilometers long and the kum river is 401 kilometers long other major rivers include the imjin which flows through both north korea and south korea and forms an estuary with the

jdkr standard specification 2014 pages 151 200 fliphtml5 - May 30 2022

web mar 24 2020 check pages 151 200 of jkr standard specification 2014 in the flip pdf version jkr standard specification 2014 was published by matya3474 on 2020 03 24 find more similar flip pdfs like jkr standard specification 2014 download jkr standard specification 2014 pdf for free

jdkr surface drainage pdf scribd - Oct 15 2023

web even where an open drain system is used the inlets connect to the open drains by means of pipes the provisions apply to both types of drainage system inlets will not function properly if the downstream pipe or open drain system

jdkr spj 2013 s 3 section 3 drainage works pdf scribd - Apr 09 2023

web excavation and backfilling for drainage works 3 2 1 description this work shall consist of excavation for the construction

of surface drains subsoil drains cast in site box culverts and other drainage structures pipe culverts unless otherwise provided in the relevant works specification and shall include furnishing placing compacting

epsmg jkr gov my - Aug 13 2023

web created date 12 11 2014 11 05 07 am

jkr standard specification 2014 pages 1 50 fliphtml5 - Sep 14 2023

web mar 24 2020 check pages 1 50 of jkr standard specification 2014 in the flip pdf version jkr standard specification 2014 was published by matya3474 on 2020 03 24 find more similar flip pdfs like jkr standard specification 2014 download jkr standard specification 2014 pdf for free

[jkr standard specification 2014 pages 251 300 fliphtml5](#) - Jun 11 2023

web mar 24 2020 subsoil drain 5 1 this work shall include supply and installation of subsoil drains constructed in accordance with these specifications at locations as shown on the drawing and or as directed by the s o 5 2 minimum gradient of 1 100 shall be provided for the drain to discharge into existing stormwater system open drain creek or

jkr sandakan urged to come up with sewage system report - Jun 30 2022

web mar 21 2017 although the sewage and drainage system are under the responsibility of jkr tan said that the people here are also responsible to maintain the cleanliness of their toilet bowls manholes and drains

cj technical updates jkr - May 10 2023

web 5 1 surface drainage all road design must incorporate features or elements to drain water off the road without causing siltation and erosion the road drainage is designed so that it will produce the desired velocity of flow that is high enough to prevent silting and lower the erosion potential low water flow velocity

section s drainage works jkr malaysia pdf scribd - Sep 02 2022

web 1 1 all drainage works shall be in accordance with the jkr standard specification for drainage works in building projects no 20601 0195 13 or the latest edition published by jkr and the requirements of the msma 1 2 the works shall include the construction of surface drains sumps culverts subsoil

[jrk 20800 standard specifications for building works](#) - Jul 12 2023

web f soil drainage f 1 f 6 g roofing work g 1 g 3 h carpentry joinery and ironmongery works h 1 h 14 i structural steel and metal works i 1 i 10 j plastering paving and tiling works j 1 j 10 k water supply plumbing sanitary and