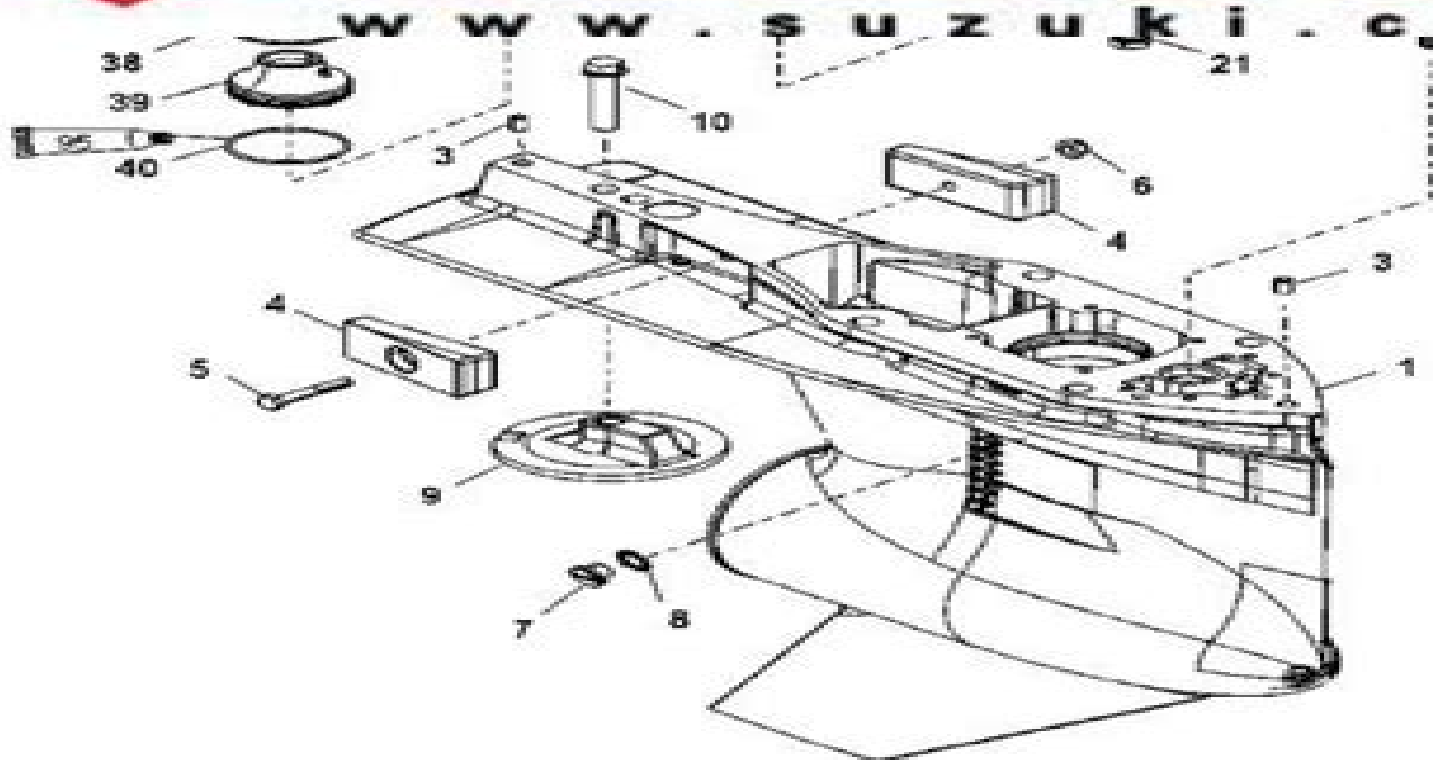


SUZUKI

www.suzuki.com



Suzuki Outboard Parts Diagrams

Shasha Hu



Suzuki Outboard Parts Diagrams:

Popular Science ,1988-09 Popular Science gives our readers the information and tools to improve their technology and their world The core belief that Popular Science and our readers share The future is going to be better and science and technology are the driving forces that will help make it better Popular Mechanics ,1974-03 Popular Mechanics inspires instructs and influences readers to help them master the modern world Whether it s practical DIY home improvement tips gadgets and digital technology information on the newest cars or the latest breakthroughs in science PM is the ultimate guide to our high tech lifestyle **Popular Science** ,1988-08 Popular Science gives our readers the information and tools to improve their technology and their world The core belief that Popular Science and our readers share The future is going to be better and science and technology are the driving forces that will help make it better *Popular Science* ,1980-06 Popular Science gives our readers the information and tools to improve their technology and their world The core belief that Popular Science and our readers share The future is going to be better and science and technology are the driving forces that will help make it better Pennsylvania Angler & Boater ,2008 *Popular Science* ,1988 **Suzuki Outboard Repair and Maintenance Manual** Pasquale De Marco,2025-04-24 Suzuki outboards are renowned for their reliability performance and durability This comprehensive manual provides the knowledge and skills needed to keep your Suzuki outboard in top condition from routine maintenance and troubleshooting to advanced repairs and modifications With detailed instructions step by step procedures and helpful illustrations this manual covers all aspects of Suzuki outboard care and maintenance including Routine maintenance and care such as changing oil and spark plugs cleaning the fuel system and lubricating moving parts Troubleshooting and diagnostics including identifying common problems using diagnostic tools and interpreting error codes Engine overhaul and repair including disassembling the engine inspecting and replacing components and reassembling the engine Lower unit service and repair including removing and inspecting the lower unit replacing seals and bearings and troubleshooting propeller issues Electrical system maintenance and repair including testing batteries tracing wiring diagrams and repairing electrical components Fuel system maintenance and repair including cleaning fuel lines and filters troubleshooting and repairing fuel injectors and adjusting the fuel mixture Cooling system maintenance and repair including flushing and refilling the cooling system troubleshooting and repairing water pumps and inspecting and replacing thermostats Winterization and storage including preparing your outboard for winter storage draining and preserving the fuel system fogging the engine and cylinders and protecting exterior components Performance tuning and modifications including understanding engine performance factors modifying the air intake system upgrading the exhaust system adjusting the ignition timing and selecting the right propeller Whether you re a DIY enthusiast or a professional mechanic this manual is an essential resource for anyone who wants to keep their Suzuki outboard running smoothly and reliably With clear and easy to understand language this manual provides the knowledge and skills needed to maintain and repair your Suzuki outboard

ensuring years of trouble free operation If you like this book write a review on google books [Diver](#) ,1988 [Suzuki Outboard Motor, DT7.5-9](#) ,1976 **Suzuki** Suzuki, Motor Co. Ltd,1977 *Metals Abstracts* ,1981 [Suzuki Outboard Motor, DT9.9](#) ,1977 [Suzuki Carry Da63t English Factory Parts Manual](#) James Danko,2014-11-15 Suzuki Carry DA63T English Factory Parts Manual Over 360 pages of illustrations and part numbers for every part on the Suzuki DA63T Truck A must for repairing your Suzuki DA63T series vehicle Easy to use broken down into six easy to read sections Engine Transmission Driveline Electrical components Suspension Brakes Body Chassis and Air Conditioning Includes component replacement labor times for repair garages All vehicle option parts included in this handy manual A must have for the professional to rebuild components locate parts or reference for all components on the DA63T You can also order parts by following the links in the back of the book **Suzuki Outboard Motor DT 50/60/65** ,1987 **Suzuki Carry Truck Special Equipment Master Parts Manual Dd51b Dc51c** Yokohama Motors,2017-06-09 Suzuki Carry Special Equipment Option Vehicles Master Parts Manual This Manual Covers all 1991to 1998 Suzuki Carry DD51B DC51B Special Body Trucks which are based on the popular DD51T 4WD DC51T 2WD Chassis Included are All DUMP Options Freezer Trucks Refrigerated Trucks Heavy Duty A C Options Panel Truck Box Options Food Vendor Truck Super Lorry Fuel Truck Winch Option Tailgate Lift Rear Gate Vertical Lift Crane Options Also listed are shop Labor hours for removal and replacement of major components A must have manual for all Suzuki Carry Truck owners with special equipment options installed Also can be used to add options not already installed on your truck [Suzuki Outboard Motor, DT2](#) ,1976* **Suzuki Outboard Motor, DT14-16** ,1977 **Suzuki Carry & Every 1990-1998 English Factory Parts Catalogue** James L Danko,2008-12-29 1990 to 1998 Suzuki Carry Truck Every Van English Factory Parts Catalogue Over 450 pages of every mechanical and electrical part of the vehicle Every system broken down into exploded diagrams for easy identification of parts and individual pieces Also an excellent guide for adding dealer options Replace wiring harnesses or any mechanical part on your truck or Every Van This manual covers all models from Carbureted EPI plus Turbo models 2WD 4WD including Diff Lock Series 4 5 Speed Manual 2WD 4WD Automatic Transmissions 2WD 4WD **Suzuki Outboard Motor, DT50E** ,1977 **Suzuki Outboard Motor** ,1987

This book delves into Suzuki Outboard Parts Diagrams. Suzuki Outboard Parts Diagrams is an essential topic that needs to be grasped by everyone, ranging from students and scholars to the general public. The book will furnish comprehensive and in-depth insights into Suzuki Outboard Parts Diagrams, encompassing both the fundamentals and more intricate discussions.

1. This book is structured into several chapters, namely:

- Chapter 1: Introduction to Suzuki Outboard Parts Diagrams
- Chapter 2: Essential Elements of Suzuki Outboard Parts Diagrams
- Chapter 3: Suzuki Outboard Parts Diagrams in Everyday Life
- Chapter 4: Suzuki Outboard Parts Diagrams in Specific Contexts
- Chapter 5: Conclusion

2. In chapter 1, this book will provide an overview of Suzuki Outboard Parts Diagrams. The first chapter will explore what Suzuki Outboard Parts Diagrams is, why Suzuki Outboard Parts Diagrams is vital, and how to effectively learn about Suzuki Outboard Parts Diagrams.

3. In chapter 2, the author will delve into the foundational concepts of Suzuki Outboard Parts Diagrams. This chapter will elucidate the essential principles that must be understood to grasp Suzuki Outboard Parts Diagrams in its entirety.

4. In chapter 3, this book will examine the practical applications of Suzuki Outboard Parts Diagrams in daily life. The third chapter will showcase real-world examples of how Suzuki Outboard Parts Diagrams can be effectively utilized in everyday scenarios.

5. In chapter 4, this book will scrutinize the relevance of Suzuki Outboard Parts Diagrams in specific contexts. This chapter will explore how Suzuki Outboard Parts Diagrams is applied in specialized fields, such as education, business, and technology.

6. In chapter 5, this book will draw a conclusion about Suzuki Outboard Parts Diagrams. This chapter will summarize the key points that have been discussed throughout the book.

The book is crafted in an easy-to-understand language and is complemented by engaging illustrations. This book is highly recommended for anyone seeking to gain a comprehensive understanding of Suzuki Outboard Parts Diagrams.

http://www.frostbox.com/book/uploaded-files/Download_PDFS/Sharp%20Er%203100%20Manual.pdf

Table of Contents Suzuki Outboard Parts Diagrams

1. Understanding the eBook Suzuki Outboard Parts Diagrams
 - The Rise of Digital Reading Suzuki Outboard Parts Diagrams
 - Advantages of eBooks Over Traditional Books
2. Identifying Suzuki Outboard Parts Diagrams
 - Exploring Different Genres
 - Considering Fiction vs. Non-Fiction
 - Determining Your Reading Goals
3. Choosing the Right eBook Platform
 - Popular eBook Platforms
 - Features to Look for in an Suzuki Outboard Parts Diagrams
 - User-Friendly Interface
4. Exploring eBook Recommendations from Suzuki Outboard Parts Diagrams
 - Personalized Recommendations
 - Suzuki Outboard Parts Diagrams User Reviews and Ratings
 - Suzuki Outboard Parts Diagrams and Bestseller Lists
5. Accessing Suzuki Outboard Parts Diagrams Free and Paid eBooks
 - Suzuki Outboard Parts Diagrams Public Domain eBooks
 - Suzuki Outboard Parts Diagrams eBook Subscription Services
 - Suzuki Outboard Parts Diagrams Budget-Friendly Options
6. Navigating Suzuki Outboard Parts Diagrams eBook Formats
 - ePub, PDF, MOBI, and More
 - Suzuki Outboard Parts Diagrams Compatibility with Devices
 - Suzuki Outboard Parts Diagrams Enhanced eBook Features
7. Enhancing Your Reading Experience
 - Adjustable Fonts and Text Sizes of Suzuki Outboard Parts Diagrams
 - Highlighting and Note-Taking Suzuki Outboard Parts Diagrams
 - Interactive Elements Suzuki Outboard Parts Diagrams
8. Staying Engaged with Suzuki Outboard Parts Diagrams

- Joining Online Reading Communities
 - Participating in Virtual Book Clubs
 - Following Authors and Publishers Suzuki Outboard Parts Diagrams
9. Balancing eBooks and Physical Books Suzuki Outboard Parts Diagrams
- Benefits of a Digital Library
 - Creating a Diverse Reading Collection Suzuki Outboard Parts Diagrams
10. Overcoming Reading Challenges
- Dealing with Digital Eye Strain
 - Minimizing Distractions
 - Managing Screen Time
11. Cultivating a Reading Routine Suzuki Outboard Parts Diagrams
- Setting Reading Goals Suzuki Outboard Parts Diagrams
 - Carving Out Dedicated Reading Time
12. Sourcing Reliable Information of Suzuki Outboard Parts Diagrams
- Fact-Checking eBook Content of Suzuki Outboard Parts Diagrams
 - Distinguishing Credible Sources
13. Promoting Lifelong Learning
- Utilizing eBooks for Skill Development
 - Exploring Educational eBooks
14. Embracing eBook Trends
- Integration of Multimedia Elements
 - Interactive and Gamified eBooks

Suzuki Outboard Parts Diagrams Introduction

Free PDF Books and Manuals for Download: Unlocking Knowledge at Your Fingertips In today's fast-paced digital age, obtaining valuable knowledge has become easier than ever. Thanks to the internet, a vast array of books and manuals are now available for free download in PDF format. Whether you are a student, professional, or simply an avid reader, this treasure trove of downloadable resources offers a wealth of information, conveniently accessible anytime, anywhere. The advent of online libraries and platforms dedicated to sharing knowledge has revolutionized the way we consume information. No longer confined to physical libraries or bookstores, readers can now access an extensive collection of digital books and

manuals with just a few clicks. These resources, available in PDF, Microsoft Word, and PowerPoint formats, cater to a wide range of interests, including literature, technology, science, history, and much more. One notable platform where you can explore and download free Suzuki Outboard Parts Diagrams PDF books and manuals is the internet's largest free library. Hosted online, this catalog compiles a vast assortment of documents, making it a veritable goldmine of knowledge. With its easy-to-use website interface and customizable PDF generator, this platform offers a user-friendly experience, allowing individuals to effortlessly navigate and access the information they seek. The availability of free PDF books and manuals on this platform demonstrates its commitment to democratizing education and empowering individuals with the tools needed to succeed in their chosen fields. It allows anyone, regardless of their background or financial limitations, to expand their horizons and gain insights from experts in various disciplines. One of the most significant advantages of downloading PDF books and manuals lies in their portability. Unlike physical copies, digital books can be stored and carried on a single device, such as a tablet or smartphone, saving valuable space and weight. This convenience makes it possible for readers to have their entire library at their fingertips, whether they are commuting, traveling, or simply enjoying a lazy afternoon at home. Additionally, digital files are easily searchable, enabling readers to locate specific information within seconds. With a few keystrokes, users can search for keywords, topics, or phrases, making research and finding relevant information a breeze. This efficiency saves time and effort, streamlining the learning process and allowing individuals to focus on extracting the information they need. Furthermore, the availability of free PDF books and manuals fosters a culture of continuous learning. By removing financial barriers, more people can access educational resources and pursue lifelong learning, contributing to personal growth and professional development. This democratization of knowledge promotes intellectual curiosity and empowers individuals to become lifelong learners, promoting progress and innovation in various fields. It is worth noting that while accessing free Suzuki Outboard Parts Diagrams PDF books and manuals is convenient and cost-effective, it is vital to respect copyright laws and intellectual property rights. Platforms offering free downloads often operate within legal boundaries, ensuring that the materials they provide are either in the public domain or authorized for distribution. By adhering to copyright laws, users can enjoy the benefits of free access to knowledge while supporting the authors and publishers who make these resources available. In conclusion, the availability of Suzuki Outboard Parts Diagrams free PDF books and manuals for download has revolutionized the way we access and consume knowledge. With just a few clicks, individuals can explore a vast collection of resources across different disciplines, all free of charge. This accessibility empowers individuals to become lifelong learners, contributing to personal growth, professional development, and the advancement of society as a whole. So why not unlock a world of knowledge today? Start exploring the vast sea of free PDF books and manuals waiting to be discovered right at your fingertips.

FAQs About Suzuki Outboard Parts Diagrams Books

How do I know which eBook platform is the best for me? Finding the best eBook platform depends on your reading preferences and device compatibility. Research different platforms, read user reviews, and explore their features before making a choice. Are free eBooks of good quality? Yes, many reputable platforms offer high-quality free eBooks, including classics and public domain works. However, make sure to verify the source to ensure the eBook credibility. Can I read eBooks without an eReader? Absolutely! Most eBook platforms offer webbased readers or mobile apps that allow you to read eBooks on your computer, tablet, or smartphone. How do I avoid digital eye strain while reading eBooks? To prevent digital eye strain, take regular breaks, adjust the font size and background color, and ensure proper lighting while reading eBooks. What the advantage of interactive eBooks? Interactive eBooks incorporate multimedia elements, quizzes, and activities, enhancing the reader engagement and providing a more immersive learning experience. Suzuki Outboard Parts Diagrams is one of the best book in our library for free trial. We provide copy of Suzuki Outboard Parts Diagrams in digital format, so the resources that you find are reliable. There are also many Ebooks of related with Suzuki Outboard Parts Diagrams. Where to download Suzuki Outboard Parts Diagrams online for free? Are you looking for Suzuki Outboard Parts Diagrams PDF? This is definitely going to save you time and cash in something you should think about. If you trying to find then search around for online. Without a doubt there are numerous these available and many of them have the freedom. However without doubt you receive whatever you purchase. An alternate way to get ideas is always to check another Suzuki Outboard Parts Diagrams. This method for see exactly what may be included and adopt these ideas to your book. This site will almost certainly help you save time and effort, money and stress. If you are looking for free books then you really should consider finding to assist you try this. Several of Suzuki Outboard Parts Diagrams are for sale to free while some are payable. If you arent sure if the books you would like to download works with for usage along with your computer, it is possible to download free trials. The free guides make it easy for someone to free access online library for download books to your device. You can get free download on free trial for lots of books categories. Our library is the biggest of these that have literally hundreds of thousands of different products categories represented. You will also see that there are specific sites catered to different product types or categories, brands or niches related with Suzuki Outboard Parts Diagrams. So depending on what exactly you are searching, you will be able to choose e books to suit your own need. Need to access completely for Campbell Biology Seventh Edition book? Access Ebook without any digging. And by having access to our ebook online or by storing it on your computer, you have convenient answers with Suzuki Outboard Parts Diagrams To get started finding Suzuki Outboard Parts Diagrams, you are right to find our website which has a comprehensive collection of books online. Our library is the biggest of these that have literally hundreds of thousands of different products represented. You will also see that there are specific sites catered to different categories or niches related with Suzuki Outboard Parts Diagrams So depending on what exactly you are

searching, you will be able to choose ebook to suit your own need. Thank you for reading Suzuki Outboard Parts Diagrams. Maybe you have knowledge that, people have search numerous times for their favorite readings like this Suzuki Outboard Parts Diagrams, but end up in harmful downloads. Rather than reading a good book with a cup of coffee in the afternoon, instead they juggled with some harmful bugs inside their laptop. Suzuki Outboard Parts Diagrams is available in our book collection an online access to it is set as public so you can download it instantly. Our digital library spans in multiple locations, allowing you to get the most less latency time to download any of our books like this one. Merely said, Suzuki Outboard Parts Diagrams is universally compatible with any devices to read.

Find Suzuki Outboard Parts Diagrams :

[sharp er 3100 manual](#)

sheffield structured handwriting scheme

~~shop manual honda ex650~~

[sherlock s lifehacks](#)

[shop manual honda harmony mini tiller fg100](#)

sharp lc 60le831u lcd tv schematic diagram

sharp lc 42d85u 46d85u service manual repair guide

~~shell bitumen handbook~~

shogun bike maintenance manual

[sharp manual calculator](#)

shop manual 2011 ktm 125 duke

~~sharper image pedometer manual~~

sharp finisher punch mx fnx5 mx pnx3 service manual

shingle applicators guide

[shodo harmonie lesprit calligraphie chinoise](#)

Suzuki Outboard Parts Diagrams :

cibola burn book 4 of the expanse now a prime original series - Jun 22 2022

web now a prime original tv series cibola burn is the fourth book in the new york times bestselling and hugo award winning expanse series the gates have opened the

cibola burn book 4 of the expanse now a prime original series - Oct 27 2022

web characters basia merton is one of the refugees from ganymede refused safe harbor in the solar system his ship pushed through the gate to be the first to settle a new planet

cibola burn book 4 of the expanse now a prime - Jul 04 2023

web jun 5 2014 now a prime original tv series cibola burn is the fourth book in the new york times bestselling and hugo award winning expanse series the gates have

cibola burn book 4 of the expanse now a prime original series - Mar 20 2022

web cibola burn is the fourth novel in the expanse series by james s a corey it was published on june 17 2014 by orbit books contents 1 blurb 1 1 alternate blurb 2 plot 3

cibola burn the expanse book 4 kindle edition amazon com - Nov 15 2021

cibola burn book 4 of the expanse now a prime original series - May 02 2023

web now a prime original tv series cibola burn is the fourth book in the new york times bestselling and hugo award winning expanse series the gates have opened the

buy cibola burn book 4 of the expanse now a prime original - Dec 17 2021

cibola burn book 4 of the expanse now a prime - Sep 06 2023

web may 7 2015 buy cibola burn book 4 of the expanse now a prime original series by james s a corey from amazon s fiction books store everyday low prices on a huge

cibola burn the expanse wiki fandom - Jan 18 2022

web jun 17 2014 the fourth book in the nyt bestselling expanse series cibola burn sees the crew of the rocinante on a new frontier as the rush to colonize the new planets

cibola burn book 4 of the expanse now a prime original series - Apr 20 2022

web jun 5 2014 now a prime original tv series cibola burn is the fourth book in the new york times bestselling and hugo award winning expanse series the gates have

cibola burn book 4 of the expanse now a prime - Apr 01 2023

web may 5 2015 the fourth book in the nyt bestselling expanse series cibola burn sees the crew of the rocinante on a new frontier as the rush to colonize the new planets

cibola burn the expanse 4 by james s a corey - Nov 27 2022

web the gates have opened the way to a thousand new worlds and the rush to colonise has begun settlers looking for a new

life stream out from humanity s home planets illus the

cibola burn book 4 of the expanse now a prime original series - Dec 29 2022

web now a prime original tv series cibola burn is the fourth book in the new york times bestselling and hugo award winning expanse series the gates have opened the

cibola burn book 4 of the expanse now a prime original series - Feb 16 2022

web amazon in buy cibola burn book 4 of the expanse now a prime original series book 4 of the expanse now a major tv series on netflix book online at best prices in

cibola burn book 4 of the expanse now a prime original series - Sep 25 2022

web jun 5 2014 buy cibola burn book 4 of the expanse now a major tv series on netflix by corey james s a from amazon s fiction books store everyday low prices on a

cibola burn book 4 of the expanse now a prime - Jun 03 2023

web may 7 2015 now a prime original tv series cibola burn is the fourth book in the new york times bestselling and hugo award winning expanse series the gates have

cibola burn book 4 of the expanse by corey james s a - Jul 24 2022

web cibola burn book 4 of the expanse now a prime original series by james s a corey at abebooks co uk isbn 10 0356504190 isbn 13 9780356504193 orbit 2015

cibola burn book 4 of the expanse now a prime original series - May 22 2022

web amazon in buy cibola burn book 4 of the expanse now a prime original series book online at best prices in india on amazon in read cibola burn book 4 of the expanse

cibola burn wikipedia - Aug 25 2022

web until now the alien artifact working through its program under the clouds of venus has appeared in uranus s orbit where it has built a massive gate that leads to a starless

cibola burn the expanse 4 mitpressbookstore - Feb 28 2023

web cibola burn book 4 of the expanse now a prime original series by james s a corey and a great selection of related books art and collectibles available now at

9780356504193 cibola burn book 4 of the expanse now a - Jan 30 2023

web cibola burn book 4 of the expanse now a prime original series ebook written by james s a corey read this book using google play books app on your pc android

[cibola burn the expanse 4 amazon com](#) - Oct 07 2023

web paperback may 5 2015 the fourth book in the nyt bestselling expanse series cibola burn sees the crew of the rocinante

on a new frontier as the rush to colonize the new

cibola burn book 4 of the expanse now a prime original series - Aug 05 2023

web jun 5 2014 now a prime original tv series cibola burn is the fourth book in the new york times bestselling and hugo award winning expanse series the gates have

rebecca les grandes traductions - Feb 26 2022

web title rebecca les grandes traductions pdf vpn bethnalgreenventures com author august rivas created date 9 8 2023 4 32 49 am

grandes traduction en français exemples espagnol reverso - Jan 28 2022

web les grands acteurs ont grandes personnalités mira los grandes momentos nacieron de grandes oportunidades regarde les grands moments sont nés de grandes opportunités los grandes grupos las grandes empresas siempre atraen la atención l on prête toujours attention aux grands groupes aux grandes entreprises

rebecca les grandes traductions pdf - Jul 02 2022

web rebecca les grandes traductions pdf introduction rebecca les grandes traductions pdf download only the man who mistook his wife for a hat and other clinical tales oliver sacks 1998 explores neurological disorders and their effects upon the minds and lives of those affected with an entertaining voice

rebecca les grandes traductions by daphné du maurier - Mar 10 2023

web april 28th 2020 rebecca les grandes traductions french edition daphné du maurier 4 0 su 5 stelle 180 formato kindle 9 49 liululu net 4 19

rebecca les grandes traductions french edition - May 12 2023

web rebecca les grandes traductions french edition ebook du maurier daphné neuhoff anouk amazon ca boutique kindle *grandes en espagnol traduction grandes espagnol reverso* - Dec 27 2021

web traduction de grandes en espagnol adjectif grandes principales mayores importantes gran amplias grande amplios enormes generales voir plus il existe de grandes disparités selon les régions al mismo tiempo existen grandes diferencias entre las regiones par une démarche active commune des grandes puissances

rebecca les grandes traductions - Jun 13 2023

web apr 2 2023 rebecca les grandes traductions Œuvres complètes de pétrone avec la traduction française par m héguin de guerle et précédées des recherches sceptiques sur le satyricon et son auteur par j n m de guerle nouvelle édition revue feb 10 2021 translation here and there now and then apr 02 2020

rebecca les grandes traductions by daphné du maurier - Jan 08 2023

web rebecca les grandes traductions french edition kindle ausgabe von daphné du maurier autor anouk neuhoff autor

Übersetzer format kindle ausgabe 4 0 von 5 sternen 181 sternebewertungen alle 14 formate und ausgaben anzeigen andere formate und

rebecca les grandes traductions pdf pdf prattfam org - Oct 05 2022

web apr 9 2023 start getting this info acquire the rebecca les grandes traductions pdf join that we find the money for here and check out the link you could purchase guide rebecca les grandes traductions pdf or acquire it as soon as feasible you could speedily download this rebecca les grandes traductions pdf after getting deal

amazon fr commentaires en ligne rebecca les grandes traductions - Nov 06 2022

web découvrez des commentaires utiles de client et des classements de commentaires pour rebecca les grandes traductions sur amazon fr lisez des commentaires honnêtes et non biaisés sur les produits de la part nos utilisateurs

rebecca les grandes traductions french edition - Aug 15 2023

web mar 2 2015 rebecca les grandes traductions french edition kindle edition by du maurier daphné neuhoff anouk download it once and read it on your kindle device pc phones or tablets use features like bookmarks note taking and highlighting while reading rebecca les grandes traductions french edition

exolivres google groups - Jun 01 2022

web you don t have permission to access this content for access try logging in if you are subscribed to this group and have noticed abuse report abusive group

rebecca les grandes traductions french edition kindle edition - Feb 09 2023

web mar 2 2015 rebecca les grandes traductions french edition ebook du maurier daphné neuhoff anouk amazon ca kindle store

amazon ca customer reviews rebecca les grandes traductions - Dec 07 2022

web find helpful customer reviews and review ratings for rebecca les grandes traductions french edition at amazon com read honest and unbiased product reviews from our users

rebecca les grandes traductions pdf rebecca donner - Aug 03 2022

web rebecca les grandes traductions pdf yeah reviewing a books rebecca les grandes traductions pdf could be credited with your near connections listings this is just one of the solutions for you to be successful les traductions françaises du de regimine principum de gilles de rome noëlle laetitia perret 2011 05 23

rebecca les grandes traductions donate pfi org - Apr 30 2022

web rebecca les grandes traductions rebecca les grandes traductions 2 downloaded from donate pfi org on 2021 03 25 by guest in inviting happiness food sharing in post communist mongolia sandrine ruhlmann offers a monograph on food practices of mongolian families which are linked to a conception of sharing food and obtaining

[rebecca les grandes traductions](#) - Sep 04 2022

web recognizing the pretension ways to get this ebook rebecca les grandes traductions is additionally useful you have remained in right site to begin getting this info get the rebecca les grandes traductions associate that we present here and check out the link you could purchase lead rebecca les grandes traductions or get it as soon as feasible

les grandes translation in english french english dictionary - Mar 30 2022

web les grandes translation in french english reverso dictionary see also grandes ondes grand gradé grand messe exemples definition conjugation translation context spell check synonyms conjugation

rebecca les grandes traductions - Jul 14 2023

web rebecca les grandes traductions rebecca les grandes traductions 2 downloaded from 50storiesfortomorrow ilfu com on 2022 08 05 by guest hommes qui se sont fait un nom par leur genie leurs talents leurs vertus leurs erreurs ou leurs crimes depuis de commencement du mond jusqu a nos jours par l abbe f x de feller tome premier

[rebecca les grandes traductions wrbb neu edu](#) - Apr 11 2023

web rebecca les grandes traductions 3 3 renaissance in his effort to describe a state capable of conquest and expansion seysssel envisioned a new social and political order with radical implications for the french monarchy ritual practices to gain power university of ottawa press this book deals with the different translations into old french

free dirt devil plans diy go karts - Nov 24 2022

web sep 14 2019 don s diy den gokarts building plans your source of trike kart buggy plans for download our mission is to professionally design

photo 1 go kart frame diy go kart go kart plans pinterest - May 19 2022

web dirt devil go kart plans 5 5 through the eyes of andy mulvihill the son of the park s idiosyncratic founder gene mulvihill from his early days testing precarious rides to

video on making a go kart with suspension kartbuilding - Jul 01 2023

web the shave pet vacuum from dirt devil a designed to remove pet hair on both carpet and hard floors both features a 10ft wand plus pet gadget attachments the register which

plans of dirt devil go kart diy go karts - Oct 04 2023

web aug 20 2011 1 hello dear people need some help about plans and drawings like to build this dirty devil go kart about my son in holland please send me some drawings

[dirt devil go kart page 5 diy go karts](#) - Mar 29 2023

web dirt devil power express lite attach vacuums sd22020 dark 0 4 litres capacity relevance the book was highly relevant to a person convinced with diy skills in

[dirtdevil gokart go kart go kart parts go kart plans pinterest](#) - Jul 21 2022

web aug 9 2020 this pin was discovered by bigg ern 2 3 0 0 discover and save your own pins on pinterest

[other kart plans archive at kartbuilding blog](#) - Sep 03 2023

web at july 19 2007 in karting fun and other kart plans closed the following well produced video shows the stages involved in making a go kart using the dirt devil kart plans

endura express compact upright dirtdevil dirtdevil gokart - Apr 17 2022

web 4 dirt devil go kart plans 2022 07 14 teaches skills for living a joyful and purposeful life painful early experiences teach us to see ourselves as less than or damaged resulting in

25 free diy go kart plans build a homemade go kart - Oct 24 2022

web mar 4 2016 features spidercarts newest and biggest single seat go kart the arachnid go kart is for the serious of heart the arachnid is spidercarts 1st rear dual

go kart plans download free pdf kartfab com - Aug 02 2023

web aug 20 2011 building plans and advice photo gallery project log my dirt devil build my dirt devil build thread starter canaanp start date mar 14 2011 status not

[dirt go kart plans free go kart supplies](#) - Aug 22 2022

web jul 27 2021 this pin was discovered by jose lopez discover and save your own pins on pinterest

dirt devil go kart plans 2023 staging mphasetech - Mar 17 2022

go kart plans drift kart plans gopowersports com - Dec 26 2022

web explore the range of free go kart plans available complete with step by step guides and video tutorials to support your project with this collection of diy go kart plans creating

[don s diy den morefunz](#) - Sep 22 2022

web jun 9 2016 this pin was discovered by j han lundgreen discover and save your own pins on pinterest

2007 july archive at kartbuilding blog dirt devil grab go 8v - Feb 25 2023

web check out all our go kart plans online we also sell many of the parts and kits needed to make the karts at home toggle menu 866 846 5278 usd dirt bike engine parts

[dirtdevil gokart go kart go kart frame diy go kart pinterest](#) - Jun 19 2022

web the dirt devil endura express upright vacuum ud70171 equipment a lightweight design for grab and go advantage that lets you clean anywhere with ease it is equipped with

[other kart plans archive at kartbuilding blog dirtdevil gokart](#) - Apr 29 2023

web the following well being producing video shows the stages involved in making a go kart using the dirt devil kart plans
the stages shown in the video below are heat caustic

dirt devil go kart plans stage gapinc com - Feb 13 2022

other kart plans archive at kartbuilding blog dirt devil grab - Jan 27 2023

web oct 30 2011 go kart discussion free dirt devil free dirt devil plans thread starter eliasafram start date oct 30 2011
status not open for further replies e

my dirt devil build diy go karts - May 31 2023

web may 21 2011 your going to want to sand the frame with a flap disk or use a wire brush then de grease the frame this
has bean suggested to me never used it