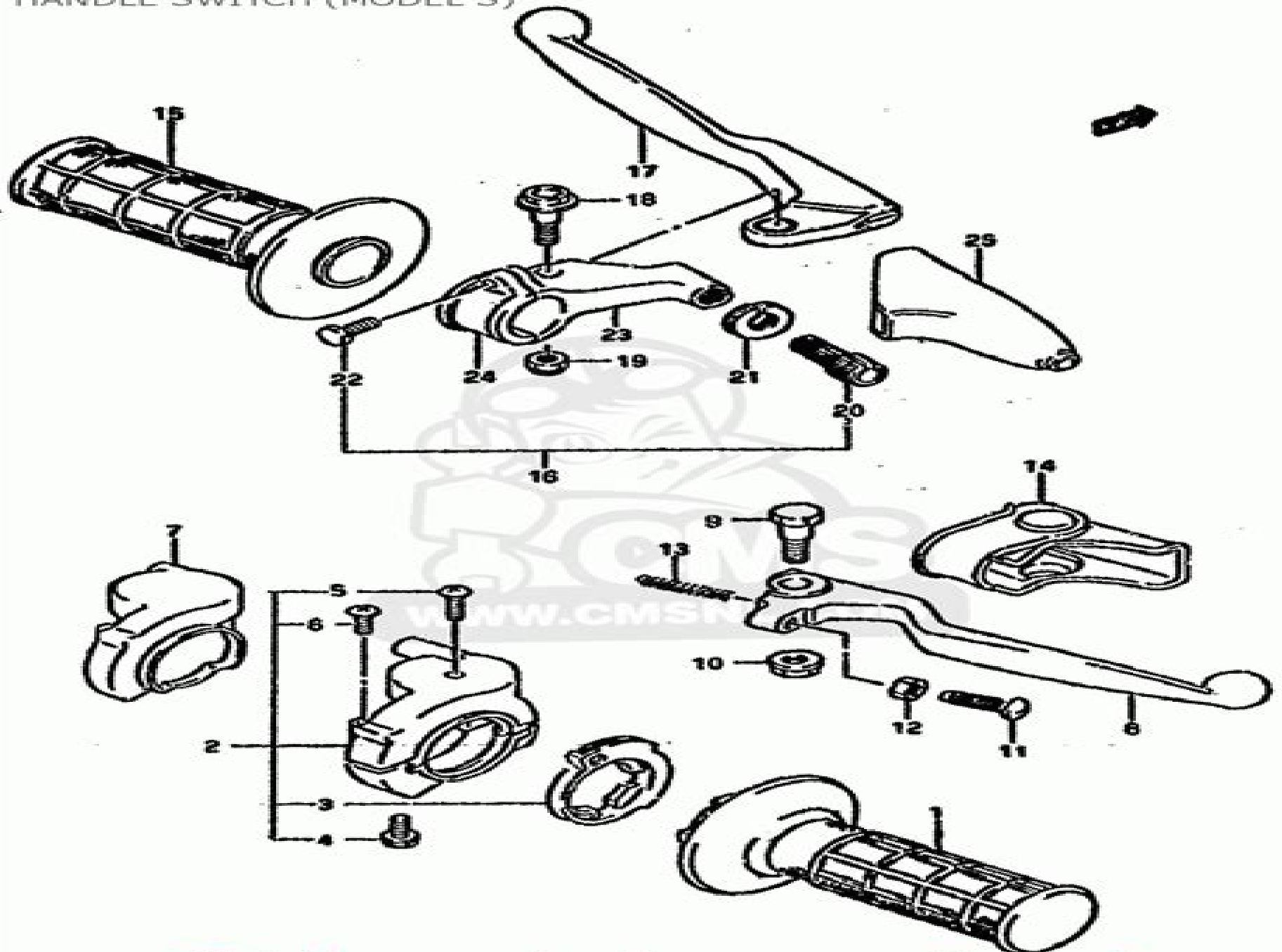


HANDLE SWITCH (MODEL S)



Get these parts at www.cmsnl.com !

Suzuki Motorcycle Clutch Lever Assembly Diagram

William Harry Crouse, Donald L. Anglin



Suzuki Motorcycle Clutch Lever Assembly Diagram:

Motorcycle Mechanics William Harry Crouse, Donald L. Anglin, 1982 **Suzuki GS1100 Fours 80-81** David Sales, 2000-05-24 GS1100ET GS1100LT GS1100EX **Suzuki GSX-R Performance Projects** Ian Falloon, **Suzuki DL650 V-Strom 2004-2011** Editors of Haynes Manuals, 2015-08-15 Suzuki DL650 V Strom 2004 2011 Service and Repair Manual 1996 2013 M273 Suzuki DL650 V Strom manual Includes Color Wiring Diagrams This service manual provides specific detailed instructions for performing everything from basic maintenance and troubleshooting to a complete overhaul of the Suzuki DL650 V Strom Series motorcycle Do it yourselfers will find this service and repair manual more comprehensive than the factory manual making it an indispensable part of your tool box TROUBLESHOOTING LUBRICATION MAINTENANCE AND TUNE UP ENGINE TOP END ENGINE LOWER END CLUTCH AND EXTERNAL SHIFT MECHANISM TRANSMISSION AND INTERNAL SHIFT MECHANISM FUEL EMISSION CONTROL AND EXHAUST SYSTEMS ELECTRICAL SYSTEM COOLING SYSTEM WHEELS TIRES AND DRIVE CHAIN FRONT SUSPENSION AND STEERING REAR SUSPENSION BRAKES BODY AND FRAME COLOR WIRING DIAGRAMS

Uncover the mysteries within Explore with is enigmatic creation, **Suzuki Motorcycle Clutch Lever Assembly Diagram** . This downloadable ebook, shrouded in suspense, is available in a PDF format (PDF Size: *). Dive into a world of uncertainty and anticipation. Download now to unravel the secrets hidden within the pages.

http://www.frostbox.com/public/scholarship/index.jsp/vk_publications_lab_manual_class_10_cbse.pdf

Table of Contents Suzuki Motorcycle Clutch Lever Assembly Diagram

1. Understanding the eBook Suzuki Motorcycle Clutch Lever Assembly Diagram
 - The Rise of Digital Reading Suzuki Motorcycle Clutch Lever Assembly Diagram
 - Advantages of eBooks Over Traditional Books
2. Identifying Suzuki Motorcycle Clutch Lever Assembly Diagram
 - Exploring Different Genres
 - Considering Fiction vs. Non-Fiction
 - Determining Your Reading Goals
3. Choosing the Right eBook Platform
 - Popular eBook Platforms
 - Features to Look for in an Suzuki Motorcycle Clutch Lever Assembly Diagram
 - User-Friendly Interface
4. Exploring eBook Recommendations from Suzuki Motorcycle Clutch Lever Assembly Diagram
 - Personalized Recommendations
 - Suzuki Motorcycle Clutch Lever Assembly Diagram User Reviews and Ratings
 - Suzuki Motorcycle Clutch Lever Assembly Diagram and Bestseller Lists
5. Accessing Suzuki Motorcycle Clutch Lever Assembly Diagram Free and Paid eBooks
 - Suzuki Motorcycle Clutch Lever Assembly Diagram Public Domain eBooks
 - Suzuki Motorcycle Clutch Lever Assembly Diagram eBook Subscription Services
 - Suzuki Motorcycle Clutch Lever Assembly Diagram Budget-Friendly Options
6. Navigating Suzuki Motorcycle Clutch Lever Assembly Diagram eBook Formats

- ePub, PDF, MOBI, and More
 - Suzuki Motorcycle Clutch Lever Assembly Diagram Compatibility with Devices
 - Suzuki Motorcycle Clutch Lever Assembly Diagram Enhanced eBook Features
7. Enhancing Your Reading Experience
 - Adjustable Fonts and Text Sizes of Suzuki Motorcycle Clutch Lever Assembly Diagram
 - Highlighting and Note-Taking Suzuki Motorcycle Clutch Lever Assembly Diagram
 - Interactive Elements Suzuki Motorcycle Clutch Lever Assembly Diagram
 8. Staying Engaged with Suzuki Motorcycle Clutch Lever Assembly Diagram
 - Joining Online Reading Communities
 - Participating in Virtual Book Clubs
 - Following Authors and Publishers Suzuki Motorcycle Clutch Lever Assembly Diagram
 9. Balancing eBooks and Physical Books Suzuki Motorcycle Clutch Lever Assembly Diagram
 - Benefits of a Digital Library
 - Creating a Diverse Reading Collection Suzuki Motorcycle Clutch Lever Assembly Diagram
 10. Overcoming Reading Challenges
 - Dealing with Digital Eye Strain
 - Minimizing Distractions
 - Managing Screen Time
 11. Cultivating a Reading Routine Suzuki Motorcycle Clutch Lever Assembly Diagram
 - Setting Reading Goals Suzuki Motorcycle Clutch Lever Assembly Diagram
 - Carving Out Dedicated Reading Time
 12. Sourcing Reliable Information of Suzuki Motorcycle Clutch Lever Assembly Diagram
 - Fact-Checking eBook Content of Suzuki Motorcycle Clutch Lever Assembly Diagram
 - Distinguishing Credible Sources
 13. Promoting Lifelong Learning
 - Utilizing eBooks for Skill Development
 - Exploring Educational eBooks
 14. Embracing eBook Trends
 - Integration of Multimedia Elements
 - Interactive and Gamified eBooks

Suzuki Motorcycle Clutch Lever Assembly Diagram Introduction

In the digital age, access to information has become easier than ever before. The ability to download Suzuki Motorcycle Clutch Lever Assembly Diagram has revolutionized the way we consume written content. Whether you are a student looking for course material, an avid reader searching for your next favorite book, or a professional seeking research papers, the option to download Suzuki Motorcycle Clutch Lever Assembly Diagram has opened up a world of possibilities. Downloading Suzuki Motorcycle Clutch Lever Assembly Diagram provides numerous advantages over physical copies of books and documents. Firstly, it is incredibly convenient. Gone are the days of carrying around heavy textbooks or bulky folders filled with papers. With the click of a button, you can gain immediate access to valuable resources on any device. This convenience allows for efficient studying, researching, and reading on the go. Moreover, the cost-effective nature of downloading Suzuki Motorcycle Clutch Lever Assembly Diagram has democratized knowledge. Traditional books and academic journals can be expensive, making it difficult for individuals with limited financial resources to access information. By offering free PDF downloads, publishers and authors are enabling a wider audience to benefit from their work. This inclusivity promotes equal opportunities for learning and personal growth. There are numerous websites and platforms where individuals can download Suzuki Motorcycle Clutch Lever Assembly Diagram. These websites range from academic databases offering research papers and journals to online libraries with an expansive collection of books from various genres. Many authors and publishers also upload their work to specific websites, granting readers access to their content without any charge. These platforms not only provide access to existing literature but also serve as an excellent platform for undiscovered authors to share their work with the world. However, it is essential to be cautious while downloading Suzuki Motorcycle Clutch Lever Assembly Diagram. Some websites may offer pirated or illegally obtained copies of copyrighted material. Engaging in such activities not only violates copyright laws but also undermines the efforts of authors, publishers, and researchers. To ensure ethical downloading, it is advisable to utilize reputable websites that prioritize the legal distribution of content. When downloading Suzuki Motorcycle Clutch Lever Assembly Diagram, users should also consider the potential security risks associated with online platforms. Malicious actors may exploit vulnerabilities in unprotected websites to distribute malware or steal personal information. To protect themselves, individuals should ensure their devices have reliable antivirus software installed and validate the legitimacy of the websites they are downloading from. In conclusion, the ability to download Suzuki Motorcycle Clutch Lever Assembly Diagram has transformed the way we access information. With the convenience, cost-effectiveness, and accessibility it offers, free PDF downloads have become a popular choice for students, researchers, and book lovers worldwide. However, it is crucial to engage in ethical downloading practices and prioritize personal security when utilizing online platforms. By doing so, individuals can make the most of the vast array of free PDF resources available and embark on a journey of continuous learning and intellectual growth.

FAQs About Suzuki Motorcycle Clutch Lever Assembly Diagram Books

How do I know which eBook platform is the best for me? Finding the best eBook platform depends on your reading preferences and device compatibility. Research different platforms, read user reviews, and explore their features before making a choice. Are free eBooks of good quality? Yes, many reputable platforms offer high-quality free eBooks, including classics and public domain works. However, make sure to verify the source to ensure the eBook credibility. Can I read eBooks without an eReader? Absolutely! Most eBook platforms offer webbased readers or mobile apps that allow you to read eBooks on your computer, tablet, or smartphone. How do I avoid digital eye strain while reading eBooks? To prevent digital eye strain, take regular breaks, adjust the font size and background color, and ensure proper lighting while reading eBooks. What the advantage of interactive eBooks? Interactive eBooks incorporate multimedia elements, quizzes, and activities, enhancing the reader engagement and providing a more immersive learning experience. Suzuki Motorcycle Clutch Lever Assembly Diagram is one of the best book in our library for free trial. We provide copy of Suzuki Motorcycle Clutch Lever Assembly Diagram in digital format, so the resources that you find are reliable. There are also many Ebooks of related with Suzuki Motorcycle Clutch Lever Assembly Diagram. Where to download Suzuki Motorcycle Clutch Lever Assembly Diagram online for free? Are you looking for Suzuki Motorcycle Clutch Lever Assembly Diagram PDF? This is definitely going to save you time and cash in something you should think about. If you trying to find then search around for online. Without a doubt there are numerous these available and many of them have the freedom. However without doubt you receive whatever you purchase. An alternate way to get ideas is always to check another Suzuki Motorcycle Clutch Lever Assembly Diagram. This method for see exactly what may be included and adopt these ideas to your book. This site will almost certainly help you save time and effort, money and stress. If you are looking for free books then you really should consider finding to assist you try this. Several of Suzuki Motorcycle Clutch Lever Assembly Diagram are for sale to free while some are payable. If you arent sure if the books you would like to download works with for usage along with your computer, it is possible to download free trials. The free guides make it easy for someone to free access online library for download books to your device. You can get free download on free trial for lots of books categories. Our library is the biggest of these that have literally hundreds of thousands of different products categories represented. You will also see that there are specific sites catered to different product types or categories, brands or niches related with Suzuki Motorcycle Clutch Lever Assembly Diagram. So depending on what exactly you are searching, you will be able to choose e books to suit your own need. Need to access completely for Campbell Biology Seventh Edition book? Access Ebook without any digging. And by having access to our ebook online or by storing it on your computer, you have convenient answers with Suzuki Motorcycle Clutch Lever Assembly Diagram To get started finding Suzuki Motorcycle Clutch Lever Assembly Diagram, you are right to find our website which has a comprehensive collection of books online. Our library is the biggest of these that have literally hundreds of thousands of

different products represented. You will also see that there are specific sites catered to different categories or niches related with Suzuki Motorcycle Clutch Lever Assembly Diagram So depending on what exactly you are searching, you will be able to choose ebook to suit your own need. Thank you for reading Suzuki Motorcycle Clutch Lever Assembly Diagram. Maybe you have knowledge that, people have search numerous times for their favorite readings like this Suzuki Motorcycle Clutch Lever Assembly Diagram, but end up in harmful downloads. Rather than reading a good book with a cup of coffee in the afternoon, instead they juggled with some harmful bugs inside their laptop. Suzuki Motorcycle Clutch Lever Assembly Diagram is available in our book collection an online access to it is set as public so you can download it instantly. Our digital library spans in multiple locations, allowing you to get the most less latency time to download any of our books like this one. Merely said, Suzuki Motorcycle Clutch Lever Assembly Diagram is universally compatible with any devices to read.

Find Suzuki Motorcycle Clutch Lever Assembly Diagram :

[vk publications lab manual class 10 cbse](#)

[volkswagen passat 1995 1997 repair service manual](#)

[*vogel auto greaser manual*](#)

volkswagen polo service manual 1997

volkswagen service manual ken freund

[volkswagen jetta 4 2015 model repair manual](#)

[volkswagen owners manual 2010](#)

[vocabulary builder activity networks the judicial branch](#)

[vmware workstation users manual](#)

[volkswagen golf brake hose diagram](#)

vodopich edition lab manual

[*volkswagen audi haynes repair manual*](#)

vocabulary packets greek roots answers

[volkswagen maintenance schedule jetta](#)

vocabulary for the college bound student answers chapter 6

Suzuki Motorcycle Clutch Lever Assembly Diagram :

georgia studies final exam study guide answers - Sep 19 2022

georgia studies final exam study guide answers downloaded from wefinitative tamu edu by guest hassan jonah rea s
authoritative guide to graduate schools ghsqt success

[georgia milestones end of grade study resource guides](#) - Apr 14 2022

eog study resource guides richard woods georgia s middle supervisors georgia s middle supervisors

georgia studies final exam study guide answers - Dec 23 2022

its about what you habit currently this georgia studies final exam study guide answers as one of the most effective sellers
here will definitely be among the best options to review th

ga studies final exam review flashcards quizlet - Feb 10 2022

supreme court case which stipulated that separate but equal facilities for blacks were constitutional grandfather clause said
that a citizen could vote only if his grandfather had

georgia history exam study guide flashcards quizlet - Jan 24 2023

he was a georgia senate leo frank the murder trial of him resulted in a death sentence he was pardoned by georgia s
governor buy was later lynched by an angry mob henry grady

[georgia studies final exam study guide answers 2022 chapura](#) - Jun 16 2022

georgia studies final exam study guide answers energy research abstracts transforming english studies gace art education
secrets study guide georgia test prep grade 5 the

2nd semester final exam review 8th grade georgia studies - Nov 09 2021

quiz your students on 2nd semester final exam review 8th grade georgia studies practice problems using our fun classroom
quiz game quizalize and personalize your teaching

georgia studies final exam study guide answers - Mar 14 2022

may 26 2023 answers after securing special along with guides you could indulge in the present is georgia studies final exam
study guide answers below realizing the

georgia studies final exam study guide answers - Jan 12 2022

georgia studies final exam study guide answers this is likewise one of the factors by obtaining the soft documents of this
georgia studies final exam study guide answers by

georgia studies final exam study guide answers 2022 - Jul 18 2022

those all we give georgia studies final exam study guide answers and numerous book collections from fictions to scientific
research in any way in the middle of them is this

ga studies final exam study guide flashcards quizlet - Dec 11 2021

learn write spell test play match gravity cotton gin click card to see definition invented by eli whitney in 1793 it removed

seeds from cotton fibers now cotton could be processed quickly

read online georgia studies final exam study guide answers - Oct 21 2022

8th grade georgia studies final exam study guide answers georgia is in the north american continent which is located in the northern hemisphere the word hemisphere

ga studies crct study guide answer key exceed the - Mar 26 2023

ga studies crct study guide unit 2 geography prehistoric native american traditions ss8g1 the student will describe georgia with regard to physical features and location a

[georgia studies final exam study guide answers](#) - May 28 2023

georgia studies final exam study guide answers georgia s charter of 1732 the cock lane ghost gace school psychology secrets study guide georgia real estate license exam

georgia studies final exam study guide answers - Jun 28 2023

what should educators do about it scientific american provider q a mainehealth educators scrambling to combat chat gpt on college campuses newsnation now starting

georgia studies final exam flashcards quizlet - Aug 31 2023

hernando desoto click the card to flip first spanish explorer to set foot in georgia click the card to flip 1 60 flashcards learn test match created by audreydarwin these are all the

georgia milestones end of grade study resource guides - May 16 2022

eog study resource guides dear trees georgia s secondary superintendent georgia s secondary superintendent

ga studies study guide answer key answers for 2023 exams - Oct 01 2023

ga studies study guide answer key download ga studies study guide answer key filename speed downloads ga studies study guide answer key new 401 kb s 10390

georgia history exam study guide flashcards quizlet - Apr 26 2023

defeat of spanish forces in 1740 by oglethorpe s forces securing ga for the british sir james wright 1763 third and final royal governor largest planter in colony with 500 slaves

final exam 8th grade ga studies flashcards quizlet - Feb 22 2023

1 111 one who wanted to do away with slavery click the card to flip flashcards learn test match created by joshua calupca terms in this set 111 abolitionist one who wanted to do

georgia studies spring final exam study guide quizlet - Aug 19 2022

1 to limit the rights of african americans 2 as a means of keeping their needed cheap free labor source click the card to flip *8th georgia studies 1st semester final exam study guide* - Nov 21 2022

dec 15 2021 why is the the state of georgia the social studies standard for kindergarten includes content standards that teach students that some different holidays and traditions are

th grade georgia studies final exam study guide answers - Jul 30 2023

the georgia constitution of 1777 allowed only protestants to be in government in today s society this would not allow proper representation of the population of georgia in a democratic

jual pemrosesan sinyal digital terlengkap harga murah - Mar 01 2022

beli koleksi pemrosesan sinyal digital online lengkap edisi harga terbaru oktober 2023 di tokopedia promo pengguna baru kurir instan bebas ongkir cicilan 0

pemrosesan sinyal digital prinsip algoritma dan aplikasi - Jul 17 2023

pemrosesan sinyal digital prinsip algoritma dan aplikasi john g proakis dimitris g manolakis alih bahasa rudy p gultom nunik nurida yohannes dewanto penyunting purnomo wahyu indarto opac perpustakaan nasional ri

proakis pemrosesan sinyal digital ai classmonitor com - Oct 08 2022

proakis pemrosesan sinyal digital pc dsp 5 1 4 ibm version pengolahan sinyal handbook of real time fast fourier transforms nonlinear methods of spectral analysis midnight magic matlab pada sistem pemrosesan sinyal dan komunikasi digital applications of digital signal processing

proakis pemrosesan sinyal digital secure4 khronos - Sep 07 2022

proakis pemrosesan sinyal digital pemrosesan sinyal dasar image dan sinyal analog tidak dapat ditransmisikan jarak jauh sistem telepon modern menggunakan pengolahan suara digital sinyal suara pengolahan sinyal digital adalah pemrosesan sinyal yang mempunyai kaitan dengan penyajian m perubahan bentuk dan manipulasi dari sisinya dan

pemrosesan sinyal digital prinsip algoritma dan aplikasi - Feb 12 2023

aug 10 2023 john g proakis personal name ketersediaan 001010 tersedia informasi detil judul seri no panggil penerbit jakarta prenhallindo jakarta 1997 deskripsi fisik jil 1

pemrosesan sinyal digital prinsip algoritma dan - Jun 16 2023

may 13 2016 pemrosesan sinyal digital prinsip algoritma dan aplikasi digital signal processing principles algorithms and applications edisi bahasa indonesia jilid 1 john g proakis manolakis dimitris g date 2016 05 13 lihat publikasi penuh

digital signal processing google drive - Sep 19 2023

nov 14 2013 prentice hall digital signal processing principles algorithms applications john g proakis dimitris g manolakis 3rd ed 1996 pdf owner hidden nov 14 2013

proakis pemrosesan sinyal digital secure4 khronos - Apr 02 2022

jun 18 2023 proakis pemrosesan sinyal digital tugas mata kuliah pengolahan sinyal digital semasa semester v di politeknik

tedc tapi dapat diatasi dengan penerapan teknik kompresi sinyal dan pemrosesan paralel

digital signal processing wikipedia - May 15 2023

digital signal processing dsp is the use of digital processing such as by computers or more specialized digital signal processors to perform a wide variety of signal processing operations the digital signals processed in this manner are a sequence of numbers that represent samples of a continuous variable in a domain such as time space

lokasi pemrosesan sinyal digital onesearch id - Mar 13 2023

pemrosesan sinyal digital prinsip prinsip algoritma dan aplikasi oleh pemrosesan sinyal digital prinsip prinsip algoritma dan aplikasi oleh proakis john g terbitan 1997 ios links ios explorer ios citeminer ios reporting opsi pencarian sejarah pencarian pencarian lanjut temukan lebih banyak penelusuran

proakis pemrosesan sinyal digital ceu social - Jun 04 2022

transformation is truly remarkable this extraordinary book aptly titled proakis pemrosesan sinyal digital published by a very acclaimed author immerses readers in a captivating exploration of the significance of language and its profound affect our existence throughout this critique we will delve to

[pemrosesan sinyal digital yumpu](#) - Dec 10 2022

jan 24 2015 materi pendahuluan pemrosesan sinyal analog dan digital sistem linier dan bebas time invariant transformasi laplace transformasi fourier transformasi z discrete fourier transform dft struktur filter digital desain filter digital buku teks 1 proakis j g and manolakis d g 1993 digital signal processing principle algoritms and

pengolahan sinyal digital pdf free download adoc pub - Aug 06 2022

sinyal digital merupakan hasil teknologi yang mengubah sinyal menjadi suatu angka yang dapat dimengerti oleh mesin yaitu angka 0 off dan 1 on yang disebut angka biner untuk memproses informasi yang mudah cepat dan akurat 12 ada beberapa alasan mengapa digunakan pemrosesan sinyal digital daripada suatu sinyal analog proakis dan

sistem pemrosesan sinyal fatkur rohman mt slideserve - May 03 2022

sep 25 2013 materi sistem pemrosesan sinyal 053431 3 sks konsep dasar sinyal sistem dan pemrosesan sinyal meliputi pengertian sinyal sistem dan pemrosesan sinyal klasifikasi sinyal konsep frekuensi dalam sinyal teori sampling kuantisasi pengkodean konversi digital to analog sinyal dan sistem waktu diskrit meliputi klasifikasi

sinyal dan sistem linier matematika teknik lanjutan pemrosesan sinyal - Jan 11 2023

daftar pustaka a gabel sinyal dan sistem linier erwin kreyszig matematika teknik lanjutan j g proakis pemrosesan sinyal digital

[pemrosesan sinyal digital prinsip algoritma dan aplikasi](#) - Apr 14 2023

pemrosesan sinyal digital prinsip algoritma dan aplikasi jilid 1 oleh proakis john g et al terbitan 1997 pemrosesan sinyal

digital prinsip

[sayisal sinyal İşleme john g proakis dimitris g manolakis digital](#) - Aug 18 2023

sayisal sinyal İşleme john g proakis dimitris g manolakis digital signal processing monson h hayes schaum s outlines digital signal processing with examples

proakis pemrosesan sinyal digital videos bookbrush com - Jan 31 2022

proakis pemrosesan sinyal digital 1 proakis pemrosesan sinyal digital digital signal processing using matlab v 4 digital communications digital signal processing digital signal processing digital signal processing pemrograman matlab untuk komputasi numerik dan pengolahan sinyal digital introduction to digital signal processing

[pemrosesan sinyal digital prinsip algoritma dan aplikasi john g proakis](#) - Nov 09 2022

beli pemrosesan sinyal digital prinsip algoritma dan aplikasi john g proakis harga murah di lapak brilliant bookshop

pengiriman cepat pembayaran 100 aman belanja sekarang juga hanya di bukalapak

[pengantar pemrosesan sinyal digital](#) - Jul 05 2022

keuntungan pemrosesan sinyal digital versus analog sistem digital terprogram memungkinkan fleksibilitas dalam konfigurasi ulang operasi pemrosesan sinyal digital hanya dengan mengubah program pertimbangan akurasi juga memainkan peran penting dalam menentukan bentuk pemroses sinyal

olsat 8 otis lennon school ability test 8th edition - Jan 06 2023

web the olsat otis lennon school ability test is a test given to children ages kindergarten through 12th grade to measure their reasoning skills the test is often used

free olsat practice tests sample questions pdf - Oct 15 2023

web the olsat otis lennon school ability test is a standardized multiple choice test frequently used to assess students for gifted and talented programs first published in

what is the otis lennon test a complete origins tutoring - Jun 30 2022

web otis lennon school ability test seventh edition arthur s otis roger t lennon directions for administering practice test level c 0158610326 copyright 2008 by

olsat sample practice test 2020 current tests com - Mar 08 2023

web the olsat has verbal reasoning questions and verbal comprehension questions how long is the test and what is the format expect your child to be in the testing room for 45

[otis lennon school ability test wikipedia](#) - Apr 28 2022

web distribute the practice test booklets with the front covers facing up be sure each student gets a booklet a pencil and an eraser note if you plan to fill in all of the identification

olsat test level e f practice guide 2023 psychometric - Aug 01 2022

web the otis lennon school ability test olsat is a multiple choice k 12 assessment that measures reasoning skills with several different types of verbal non verbal figural and

test prep guide for the otis lennon school ability - Apr 09 2023

web jun 23 2023 the olsat otis lennon school ability test is typically taken by students in grades pre k through 12 it is commonly used as a screening tool to assess students

olsat otis lennon school ability test seventh edition pdf - Feb 24 2022

otis lennon school ability test olsat all you need to know - Jan 26 2022

olsat c free practice test pdf testprep online - Jun 11 2023

web jan 6 2023 test preparation practice for olsat assessment january 6 2023 by the critical thinking co staff the otis lennon school ability test or olsat is

olsat 8 otis lennon school ability test eighth edition - Oct 03 2022

web what is the olsat test otis lennon school ability test the olsat the otis lennon school ability test is a group administered aptitude test for grades k 12 used

olsat otis lennon school ability test testingmom - Mar 28 2022

web the name otis lennon reflects co authors arthur sinton otis ph d and roger thomas lennon ph d otis 28 july 1886 1 january 1964 is best known for the multiple choice

arthur s otis roger t lennon level c los angeles unified - Dec 25 2021

the olsat test 2023 prep guide sample practice questions - Dec 05 2022

web nov 10 2023 the olsat otis lennon school ability test olsat is a multiple choice test that is used to assess children for gifted and talented programs or to support an

olsat practice test kindergarten level a testingmom com - Nov 04 2022

web nov 16 2016 so what exactly is the otis lennon test let s find out otis lennon test overview designed to measure your child s chances of academic success the olsat

olsat otis lennon school abilities test mercer publishing - May 30 2022

web jul 29 2016 what is the otis lennon school ability test olsat what is the olsat used for which age group does the olsat test what content is on the

olsat sample questions free practice test testingmom - Sep 14 2023

web the olsat test uses between 9 and 15 question types to test children in four main categories verbal nonverbal figural reasoning and quantitative reasoning the number

otis lennon school ability test test prep express - Sep 02 2022

web otis lennon school ability test the otis lennon school ability test olsat published by the successor of harcourt assessment pearson education inc a

olsat sample questions otis lennon school ability test - Aug 13 2023

web the purpose of this practice test is to prepare students for the otis lennon school ability test olsat so that they will be familiar with the different types of questions that will

history of the otis lennon school ability test k12 academics - Nov 23 2021

otis lennon school ability test olsat prep guide - Jul 12 2023

web olsat otis lennon school ability test olsat test sections olsat by grade level olsat kindergarten practice test olsat 1st grade practice test olsat 2nd

olsat practice tests for all grade levels testingmom com - May 10 2023

web nov 10 2023 online test papers and olsat practice questions are a vital part of the preparation for the otis lennon school ability test practice papers are available

how to pass the olsat test in 2023 psychometric - Feb 07 2023

web download arc s sat10 and olsat 8 optional products pdf for a description of optional reports the otis lennon school ability test eighth edition olsat 8 assesses