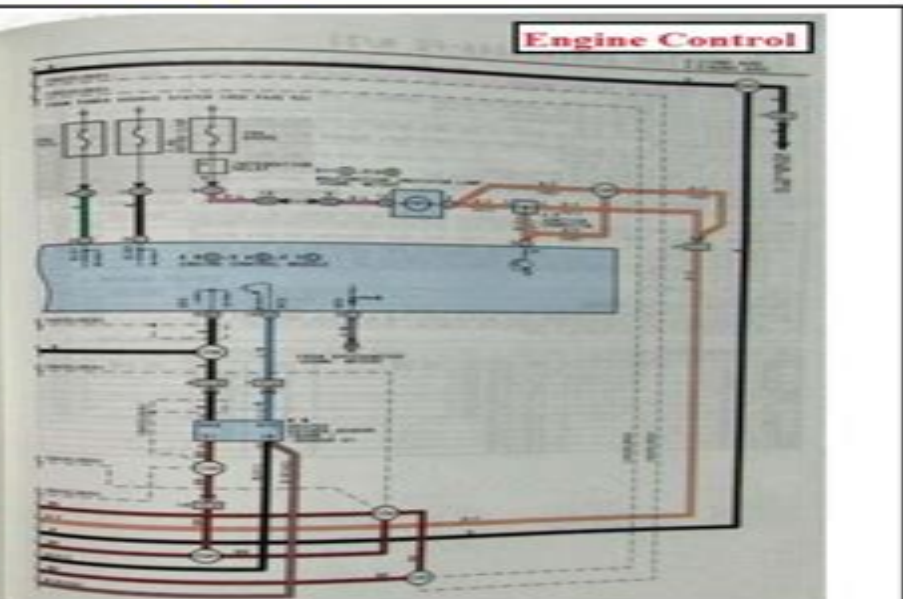
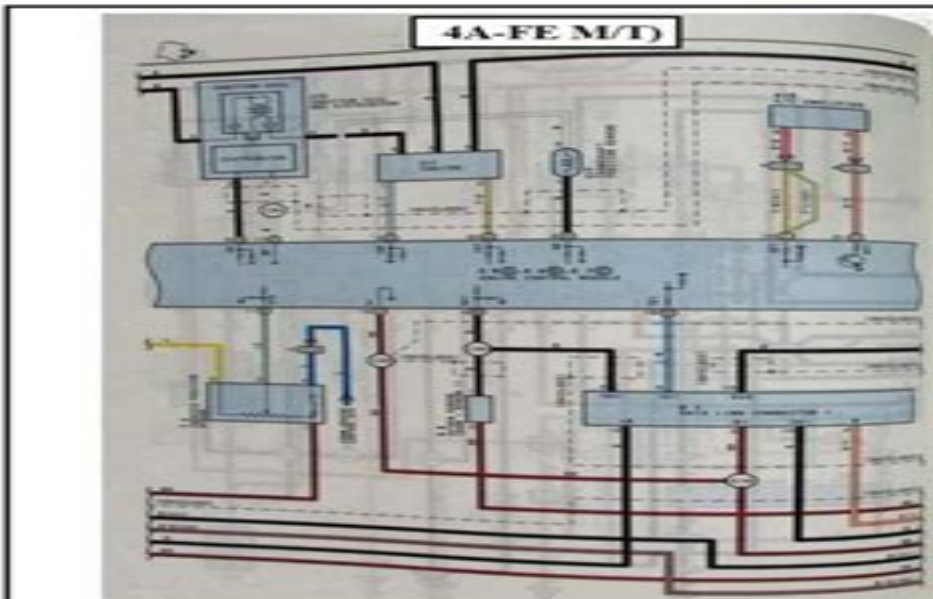
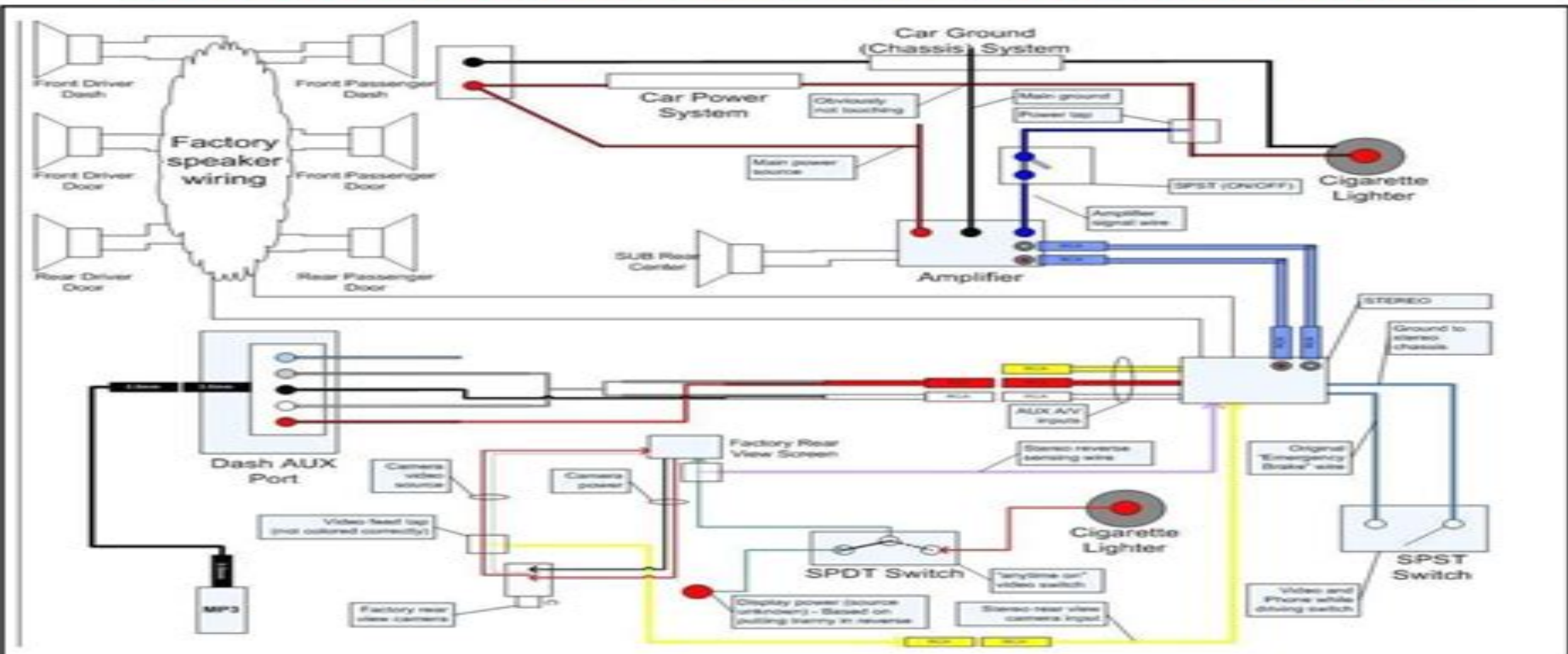


# TOYOTA COROLLA ELECTRIC WIRING DIAGRAM



# Toyota Corolla 1991 Air Conditioning Wiring Diagram

**Chilton Book Company. Automotive  
Editorial Dept**



## **Toyota Corolla 1991 Air Conditioning Wiring Diagram:**

Gale's Auto Sourcebook ,1991 Guide to information on cars and light trucks Paperbound Books in Print 1995 Reed Reference Publishing, R5ference Reed, 1995-12 **Paperbound Books in Print** ,1991 Books in Print ,1987 *Subject Guide to Children's Books in Print 1997* Bowker Editorial Staff, R R Bowker Publishing, 1996-09 Supercharging, Turbocharging and Nitrous Oxide Performance Earl Davis, *Forthcoming Books* Rose Army, 1994-04 *Popular Science* ,1977 *Chilton's Auto Air Conditioning & Wiring Diagram Manual* Chilton Book Company. Automotive Book Department, 1971 Chilton's Auto Air Conditioning and Wiring Diagram Manual Paul A. Murphy, Chilton Book Company, 1970 Toyota Corolla Repair Manual Toyota Jidōsha Kabushiki Kaisha, 1971 *Toyota Corolla FF Repair Manual, 1984* Toyota Jidōsha Kōgyō Kabushiki Kaisha, 1984 **Chilton's Auto Air Conditioning and Wiring Diagram Manual** Chilton Book Company. Automotive Editorial Dept, 1974 *Chilton's Auto Air Conditioning and Wiring Diagram Manual* Chilton Book Company. Automotive Editorial Department, 1974 **Toyota Corolla FF Electrical Wiring Diagram** ,1983 *1983 Toyota Corolla Electrical Wiring Diagram* Toyota Jidōsha Kōgyō Kabushiki Kaisha, 1982 **Toyota Corolla and Geo/Chev Prizm Auto Repair Manual 93-02** John Haynes, 2002-07-22 Inside this manual the reader will learn to do routine maintenance tune up procedures engine repair along with aspects of your car such as cooling and heating air conditioning fuel and exhaust emissions control ignition brakes suspension and steering electrical systems wiring diagrams

**Toyota Corolla 2003 thru 2013** Editors of Haynes Manuals, 2016-10-15 Complete coverage for your 2003 thru 2013 Toyota Corolla excluding XRS model Routine Maintenance Tune up procedures Engine repair Cooling and heating Air Conditioning Fuel and exhaust Emissions control Ignition Brakes Suspension and steering Electrical systems Wiring diagrams With a Haynes manual you can do it yourself from simple maintenance to basic repairs Haynes writes every book based on a complete teardown of the vehicle We learn the best ways to do a job and that makes it quicker easier and cheaper for you Our books have clear instructions and hundreds of photographs that show each step Whether you re a beginner or a pro you can save big with Haynes Step by step procedures Easy to follow photos Complete troubleshooting section Valuable short cuts Color spark plug diagnosis What s covered Toyota Corolla Haynes Repair Manual for 2003 thru 2013 PLEASE NOTE that this manual is intended for vehicles built to US specifications and does not cover diesel models unless specifically stated Although it is useful when the products or systems are similar to those in other markets there may still be significant differences especially in areas concerned with safety and emission control Exclusions Does not include information specific to XRS models *Toyota Corolla Repair Manual, 1982* ,1981 **Toyota Corolla FF** Toyota Jidōsha Kabushiki Kaisha,

Uncover the mysteries within Explore with is enigmatic creation, Embark on a Mystery with **Toyota Corolla 1991 Air Conditioning Wiring Diagram** . This downloadable ebook, shrouded in suspense, is available in a PDF format ( PDF Size: \*). Dive into a world of uncertainty and anticipation. Download now to unravel the secrets hidden within the pages.

<http://www.frostbox.com/files/book-search/fetch.php/Whoopi%20Goldberg%20Book%20Is%20It%20Just%20Me.pdf>

## **Table of Contents Toyota Corolla 1991 Air Conditioning Wiring Diagram**

1. Understanding the eBook Toyota Corolla 1991 Air Conditioning Wiring Diagram
  - The Rise of Digital Reading Toyota Corolla 1991 Air Conditioning Wiring Diagram
  - Advantages of eBooks Over Traditional Books
2. Identifying Toyota Corolla 1991 Air Conditioning Wiring Diagram
  - Exploring Different Genres
  - Considering Fiction vs. Non-Fiction
  - Determining Your Reading Goals
3. Choosing the Right eBook Platform
  - Popular eBook Platforms
  - Features to Look for in an Toyota Corolla 1991 Air Conditioning Wiring Diagram
  - User-Friendly Interface
4. Exploring eBook Recommendations from Toyota Corolla 1991 Air Conditioning Wiring Diagram
  - Personalized Recommendations
  - Toyota Corolla 1991 Air Conditioning Wiring Diagram User Reviews and Ratings
  - Toyota Corolla 1991 Air Conditioning Wiring Diagram and Bestseller Lists
5. Accessing Toyota Corolla 1991 Air Conditioning Wiring Diagram Free and Paid eBooks
  - Toyota Corolla 1991 Air Conditioning Wiring Diagram Public Domain eBooks
  - Toyota Corolla 1991 Air Conditioning Wiring Diagram eBook Subscription Services
  - Toyota Corolla 1991 Air Conditioning Wiring Diagram Budget-Friendly Options
6. Navigating Toyota Corolla 1991 Air Conditioning Wiring Diagram eBook Formats

- ePub, PDF, MOBI, and More
  - Toyota Corolla 1991 Air Conditioning Wiring Diagram Compatibility with Devices
  - Toyota Corolla 1991 Air Conditioning Wiring Diagram Enhanced eBook Features
7. Enhancing Your Reading Experience
    - Adjustable Fonts and Text Sizes of Toyota Corolla 1991 Air Conditioning Wiring Diagram
    - Highlighting and Note-Taking Toyota Corolla 1991 Air Conditioning Wiring Diagram
    - Interactive Elements Toyota Corolla 1991 Air Conditioning Wiring Diagram
  8. Staying Engaged with Toyota Corolla 1991 Air Conditioning Wiring Diagram
    - Joining Online Reading Communities
    - Participating in Virtual Book Clubs
    - Following Authors and Publishers Toyota Corolla 1991 Air Conditioning Wiring Diagram
  9. Balancing eBooks and Physical Books Toyota Corolla 1991 Air Conditioning Wiring Diagram
    - Benefits of a Digital Library
    - Creating a Diverse Reading Collection Toyota Corolla 1991 Air Conditioning Wiring Diagram
  10. Overcoming Reading Challenges
    - Dealing with Digital Eye Strain
    - Minimizing Distractions
    - Managing Screen Time
  11. Cultivating a Reading Routine Toyota Corolla 1991 Air Conditioning Wiring Diagram
    - Setting Reading Goals Toyota Corolla 1991 Air Conditioning Wiring Diagram
    - Carving Out Dedicated Reading Time
  12. Sourcing Reliable Information of Toyota Corolla 1991 Air Conditioning Wiring Diagram
    - Fact-Checking eBook Content of Toyota Corolla 1991 Air Conditioning Wiring Diagram
    - Distinguishing Credible Sources
  13. Promoting Lifelong Learning
    - Utilizing eBooks for Skill Development
    - Exploring Educational eBooks
  14. Embracing eBook Trends
    - Integration of Multimedia Elements
    - Interactive and Gamified eBooks

### Toyota Corolla 1991 Air Conditioning Wiring Diagram Introduction

In the digital age, access to information has become easier than ever before. The ability to download Toyota Corolla 1991 Air Conditioning Wiring Diagram has revolutionized the way we consume written content. Whether you are a student looking for course material, an avid reader searching for your next favorite book, or a professional seeking research papers, the option to download Toyota Corolla 1991 Air Conditioning Wiring Diagram has opened up a world of possibilities. Downloading Toyota Corolla 1991 Air Conditioning Wiring Diagram provides numerous advantages over physical copies of books and documents. Firstly, it is incredibly convenient. Gone are the days of carrying around heavy textbooks or bulky folders filled with papers. With the click of a button, you can gain immediate access to valuable resources on any device. This convenience allows for efficient studying, researching, and reading on the go. Moreover, the cost-effective nature of downloading Toyota Corolla 1991 Air Conditioning Wiring Diagram has democratized knowledge. Traditional books and academic journals can be expensive, making it difficult for individuals with limited financial resources to access information. By offering free PDF downloads, publishers and authors are enabling a wider audience to benefit from their work. This inclusivity promotes equal opportunities for learning and personal growth. There are numerous websites and platforms where individuals can download Toyota Corolla 1991 Air Conditioning Wiring Diagram. These websites range from academic databases offering research papers and journals to online libraries with an expansive collection of books from various genres. Many authors and publishers also upload their work to specific websites, granting readers access to their content without any charge. These platforms not only provide access to existing literature but also serve as an excellent platform for undiscovered authors to share their work with the world. However, it is essential to be cautious while downloading Toyota Corolla 1991 Air Conditioning Wiring Diagram. Some websites may offer pirated or illegally obtained copies of copyrighted material. Engaging in such activities not only violates copyright laws but also undermines the efforts of authors, publishers, and researchers. To ensure ethical downloading, it is advisable to utilize reputable websites that prioritize the legal distribution of content. When downloading Toyota Corolla 1991 Air Conditioning Wiring Diagram, users should also consider the potential security risks associated with online platforms. Malicious actors may exploit vulnerabilities in unprotected websites to distribute malware or steal personal information. To protect themselves, individuals should ensure their devices have reliable antivirus software installed and validate the legitimacy of the websites they are downloading from. In conclusion, the ability to download Toyota Corolla 1991 Air Conditioning Wiring Diagram has transformed the way we access information. With the convenience, cost-effectiveness, and accessibility it offers, free PDF downloads have become a popular choice for students, researchers, and book lovers worldwide. However, it is crucial to engage in ethical downloading practices and prioritize personal security when utilizing online platforms. By doing so, individuals can make the most of the vast array of free PDF resources available and embark on a journey of continuous learning and intellectual growth.

### FAQs About Toyota Corolla 1991 Air Conditioning Wiring Diagram Books

1. Where can I buy Toyota Corolla 1991 Air Conditioning Wiring Diagram books? Bookstores: Physical bookstores like Barnes & Noble, Waterstones, and independent local stores. Online Retailers: Amazon, Book Depository, and various online bookstores offer a wide range of books in physical and digital formats.
2. What are the different book formats available? Hardcover: Sturdy and durable, usually more expensive. Paperback: Cheaper, lighter, and more portable than hardcovers. E-books: Digital books available for e-readers like Kindle or software like Apple Books, Kindle, and Google Play Books.
3. How do I choose a Toyota Corolla 1991 Air Conditioning Wiring Diagram book to read? Genres: Consider the genre you enjoy (fiction, non-fiction, mystery, sci-fi, etc.). Recommendations: Ask friends, join book clubs, or explore online reviews and recommendations. Author: If you like a particular author, you might enjoy more of their work.
4. How do I take care of Toyota Corolla 1991 Air Conditioning Wiring Diagram books? Storage: Keep them away from direct sunlight and in a dry environment. Handling: Avoid folding pages, use bookmarks, and handle them with clean hands. Cleaning: Gently dust the covers and pages occasionally.
5. Can I borrow books without buying them? Public Libraries: Local libraries offer a wide range of books for borrowing. Book Swaps: Community book exchanges or online platforms where people exchange books.
6. How can I track my reading progress or manage my book collection? Book Tracking Apps: Goodreads, LibraryThing, and Book Catalogue are popular apps for tracking your reading progress and managing book collections. Spreadsheets: You can create your own spreadsheet to track books read, ratings, and other details.
7. What are Toyota Corolla 1991 Air Conditioning Wiring Diagram audiobooks, and where can I find them? Audiobooks: Audio recordings of books, perfect for listening while commuting or multitasking. Platforms: Audible, LibriVox, and Google Play Books offer a wide selection of audiobooks.
8. How do I support authors or the book industry? Buy Books: Purchase books from authors or independent bookstores. Reviews: Leave reviews on platforms like Goodreads or Amazon. Promotion: Share your favorite books on social media or recommend them to friends.
9. Are there book clubs or reading communities I can join? Local Clubs: Check for local book clubs in libraries or community centers. Online Communities: Platforms like Goodreads have virtual book clubs and discussion groups.
10. Can I read Toyota Corolla 1991 Air Conditioning Wiring Diagram books for free? Public Domain Books: Many classic books are available for free as they're in the public domain. Free E-books: Some websites offer free e-books legally, like Project Gutenberg or Open Library.

**Find Toyota Corolla 1991 Air Conditioning Wiring Diagram :**

[whoopi goldberg book is it just me](#)

**wicked in your arms forgotten princesses**

[who was john f kennedy book](#)

[wild meat and the bully burgers](#)

[wild heat a rouge romantic suspense](#)

[will & grace episode guide](#)

**wigetta un viaje magico**

[whole fried chicken recipe](#)

[willing sacrifice knights of the board room 6 joey w hill](#)

[wiley plus intermediate accounting chap 14 answers](#)

**why use a style guide**

[wileyplus intermediate accounting 14th edition solutions](#)

[wileyplus kimmel financial accounting 7e exercise 2](#)

[wileyjosey bass education book](#)

[whole cut up chicken grilled recipe](#)

**Toyota Corolla 1991 Air Conditioning Wiring Diagram :**

[pdf unit 6 test the judicial branch answers - Dec 07 2022](#)

web unit 6 test the judicial branch answers how the executive branch works sep 07 2021 how much power does the president really have how does he make decisions find the answers to these questions and more in this title primary sources with

accompanying questions multiple prompts important dates section index and glossary also included

[the judicial branch advanced practice khan academy - Feb 09 2023](#)

web a interpreting the constitution establishing inferior courts b vetoing legislation setting the budget c appointing supreme court justices confirming supreme court nominations

**unit 6 test the judicial branch flashcards quizlet - Aug 15 2023**

web political science politics of the united states unit 6 test the judicial branch how many justices are on the united states

supreme court click the card to flip 9 justices click the card to flip 1 39 flashcards test q chat created by kristina rodriguez33

teacher terms in this set 39 how many justices are on the united states supreme court



*unit 6 judicial branch test review flashcards quizlet* - Mar 10 2023

web study with quizlet and memorize flashcards containing terms like marbury v madison plessy v ferguson shenck v us and more

*singapore courts singaporelawwatch sg* - Mar 30 2022

web supreme court of singapore the supreme court is made up of the court of appeal and the high court and hears both civil and criminal matters led by the honourable the chief justice sundaresh menon the supreme court bench consists of the judges of appeal judges and judicial commissioners of the supreme court the high court has

judicial system of singapore wikipedia - Jun 01 2022

web under the constitution of singapore the judicial system of singapore is divided into the supreme court which comprises the court of appeal and the high court and the subordinate courts namely the state courts and family justice courts singapore practices the common law legal system where the decisions of higher courts constitute binding

*judicial review in singapore what is it and how to apply* - Feb 26 2022

web mar 31 2022 in singapore judicial review is the process by which the high court exercises its supervisory jurisdiction over some individual or body that performs public functions and duties i e a public body this usually entails overturning the decisions of

judicial branch quiz flashcards quizlet - Nov 06 2022

web study with quizlet and memorize flashcards containing terms like the judicial branch promotes the rule of law by using judicial review to why must the judicial branch be an independent branch of government the final clause in the sixth amendment has been used to justify the provision of which of the following and more

**the judicial branch test teaching resources teachers pay teachers** - Sep 04 2022

web judicial branch unit test exam assessment includes a variety of 50 multiple choice matching and true false questions as well as 3 extended essay response questions covers the federal courts the supreme court the supreme court at work and more assessment works great with cornell notes sections covering the judicial branch

**the judicial branch unit test flashcards quizlet** - Apr 11 2023

web study with quizlet and memorize flashcards containing terms like during the years the articles of confederation were in force 1781 1789 there were no national courts and no national judiciary

*judicial branch study guide answers unit 6* - Oct 05 2022

web unit 6 test the judicial branch answers dvs ltd co uk may 7th 2018 unit 6 test the judicial branch answers study guide answer key section 2 2 anthony robbins ultimate edge personal journal chemical reactions answer key pearson unit 6 judicial branch civics google sites

**unit 6 judicial branch flashcards quizlet** - Jan 08 2023

web definition 1 40 the territory within which power can be exercised click the card to flip flashcards learn test created by michael eckerman this is what is on the review for the test over the judicial branch in mr weyhrich s class at chaparral terms in this set 40 jurisdiction the territory within which power can be exercised

**unit 6 judicial branch test review quiz quizizz** - Jun 13 2023

web preview this quiz on quizizz the responsibilities of the judicial branch are expressed in

**review unit 6 the judicial branch quiz quizizz** - Sep 16 2023

web question 1 30 seconds q in a criminal case who is responsible for bringing charges against the defendant answer choices litigant defendant s attorney precedent prosecutor government question 2 30 seconds q the main job of the judicial branch is to answer choices make laws interpret laws enforce laws carry out laws question 3 30

**judicial branch test 243 plays quizizz** - Apr 30 2022

web judicial branch test quiz for 7th grade students find other quizzes for history and more on quizizz for free

**unit 6 test the judicial branch answers pdf** - May 12 2023

web unit 6 test the judicial branch answers answers to your questions about county court civil matters may 14 2021 american government divisions of each branch of government gr 5 8 feb 03 2023 this is the chapter slice divisions of each branch of government gr 5 8 from the full lesson plan american government break down the

**unit 6 test the judicial branch answers pdf gladys e alesi copy** - Jul 02 2022

web jun 30 2023 you could purchase lead unit 6 test the judicial branch answers pdf or acquire it as soon as feasible you could quickly download this unit 6 test the judicial branch answers pdf after getting deal so like you require the ebook swiftly you can straight get it its hence totally simple and correspondingly fats isnt it

**unit 6 the judicial branch flashcards quizlet** - Oct 17 2023

web created by pgipsonjoplin to help you study for the unit 6 exam terms in this set 22 civil court trials that are typically one person suing another the outcome of this trial ends in a person being found liable or not liable and owing money no jail time majority verdicts are needed from juries criminal court

**unit 6 judicial branch test review 313 plays quizizz** - Jul 14 2023

web 590 plays 9th 10th unit 6 judicial branch test review quiz for 9th grade students find other quizzes for history and more on quizizz for free

the judicial branch unit test editable print digital tpt - Aug 03 2022

web this purchase includes a 30 question test for the unit the judicial branch for secondary civics u s government and two fun review games who wants to be a millionaire and password questions include true and false multiple choice and common core

aligned primary sources analysis questions

[vat what is vat vat value added tax vat kya hai vat](#) - Dec 07 2022

web in this video we have explained vat value added tax what are the disadvantages of vat comparison and advantage of vat we have also compared vat with gs

[what is vat in hindi know about value added tax](#) - Apr 30 2022

web aug 6 2019 hindi in hindi august 6 2019 information in hindi no comments read an article on what is vat in hindi language for students and businessman full form of vat is value added tax most people as what is vat in hindi and gst in hindi today we are going to explain vat in hindi

**service charge and service tax in hindi** youtube - Jan 08 2023

web apr 14 2018 service charge and service tax in hindi some more videos of this channelblog

[service tax explained in hindi](#) - Jun 13 2023

web aug 20 2022 service tax some more videos of this channelblog

[service tax explained in hindi](#) - Jul 14 2023

web gst goods and services tax tps tax sur les produits et services hst harmonized sales tax tvh tax de vente harmonisée 19 iva impuesto al valor agregado 16 iva impuesto al valor

[value added tax vat explained in hindi youtube](#) - Sep 04 2022

web 611 17k views 1 year ago public finance public economics and budget lectures value added tax or vat is added to a product at every point on the supply chain where value is added to it show

**tureng vat türkçe İngilizce sözlük** - Nov 06 2022

web vat deferred to subsequent years i long term deferred or postponed vat i deferred vat to future years i deductible vat in future years i vat carried forward for future years i long term vat deductible i deductible vat i vat deductible for the following years i

**gst vat difference in hindi** - Feb 26 2022

web dec 10 2018 difference between gst vat in hindi gst vat difference between good and sales tax and vat in hindi

[gst vat difference in hindi](#) - Apr 11 2023

web goods and services tax some more videos of this channelblog





*mark scheme for the october november 2009 question paper - Aug 11 2022*

cie is publishing the mark schemes for the october november 2009 question papers for most igcse gce advanced level and advanced subsidiary level syllabuses and some ordinary

**mark scheme results november 2009 sthelensmaths org uk - Apr 19 2023**

november 2009 igcse mathematics 4400 mark scheme paper 4h except for questions where the mark scheme states otherwise the correct answer unless clearly obtained by an

*mark scheme results november 2009 dynamic papers - Nov 02 2021*

nov 18 2009 b2 b1 for factors which when expanded and simplified give two terms one of which is correct except  $n^2 - n^2$  and similar sc b1 for  $n^4 - n^4$  b  $5x^8 - 2$  or  $5x^2$

**mark scheme results november 2009 dynamic papers - May 08 2022**

mark scheme results november 2009 igcse igcse arabic 4308 paper 1 edexcel limited registered in england and wales no 4496750 registered office one90 high holborn

mark scheme for the october november 2009 question paper - Jan 16 2023

cie is publishing the mark schemes for the october november 2009 question papers for most igcse gce advanced level and advanced subsidiary level syllabuses and some ordinary

**mark scheme for the october november 2009 question paper - Mar 06 2022**

cie is publishing the mark schemes for the october november 2009 question papers for most igcse gce advanced level and advanced subsidiary level syllabuses and some ordinary

mark scheme results november 2009 blog de shanees - Apr 07 2022

mark scheme results november 2009 i cse cse g igcse english as a second language 4357 paper 02 edexcel limited registered in england and wales no 4496750

mark scheme results november 2009 freeexampapers full - Dec 03 2021

scheme results november 2009 freeexampapers a marvelous fictional treasure brimming with fresh emotions lies an immersive symphony waiting to be embraced crafted by an outstanding

*nov 2009 mark scheme 11 pdf files past papers archive - Dec 15 2022*

here are 11 results for nov 2009 mark scheme 1 nov2009 4h marks pdf november 2009 igcse mathematics 4400 mark igcse mathematics 4400 paper 4h november 2009

**2009 maltepe yerel seçim sonuçları haberler - Jan 04 2022**

maltepe 2009 yerel seçim sonuçları dakika dakika burada maltepe ilçeleri ve beldelerine ait 30 mart yerel seçim sonuçları için tıklayın

mark scheme for the october november 2009 question paper - Feb 05 2022

cie is publishing the mark schemes for the october november 2009 question papers for most igcse gce advanced level and advanced subsidiary level syllabuses and some ordinary

**mark scheme results november 2009 save my exams** - Feb 17 2023

1380 3h question working answer mark notes 1 a 173160 1 b1 cao b 173 16 1 b1 cao 2 30 5 150 0 2 750 0 2 750 775 3 m1 for correct roundings to 1 sig fig of two or three of the

mark scheme results november 2009 pearson qualifications - Jul 22 2023

nov 17 2009 igcse mathematics 4400 paper 1f november 2009 november 2009 igcse mathematics 4400 mark scheme paper 1f q working answer mark notes 1 a 1 3 oe 1

**mark scheme results november 2009 pearson qualifications** - Aug 23 2023

nov 25 2009 mark scheme results november 2009 igcse igcse english language 4355 paper 1f edexcel limited registered in england and wales no 4496750 registered