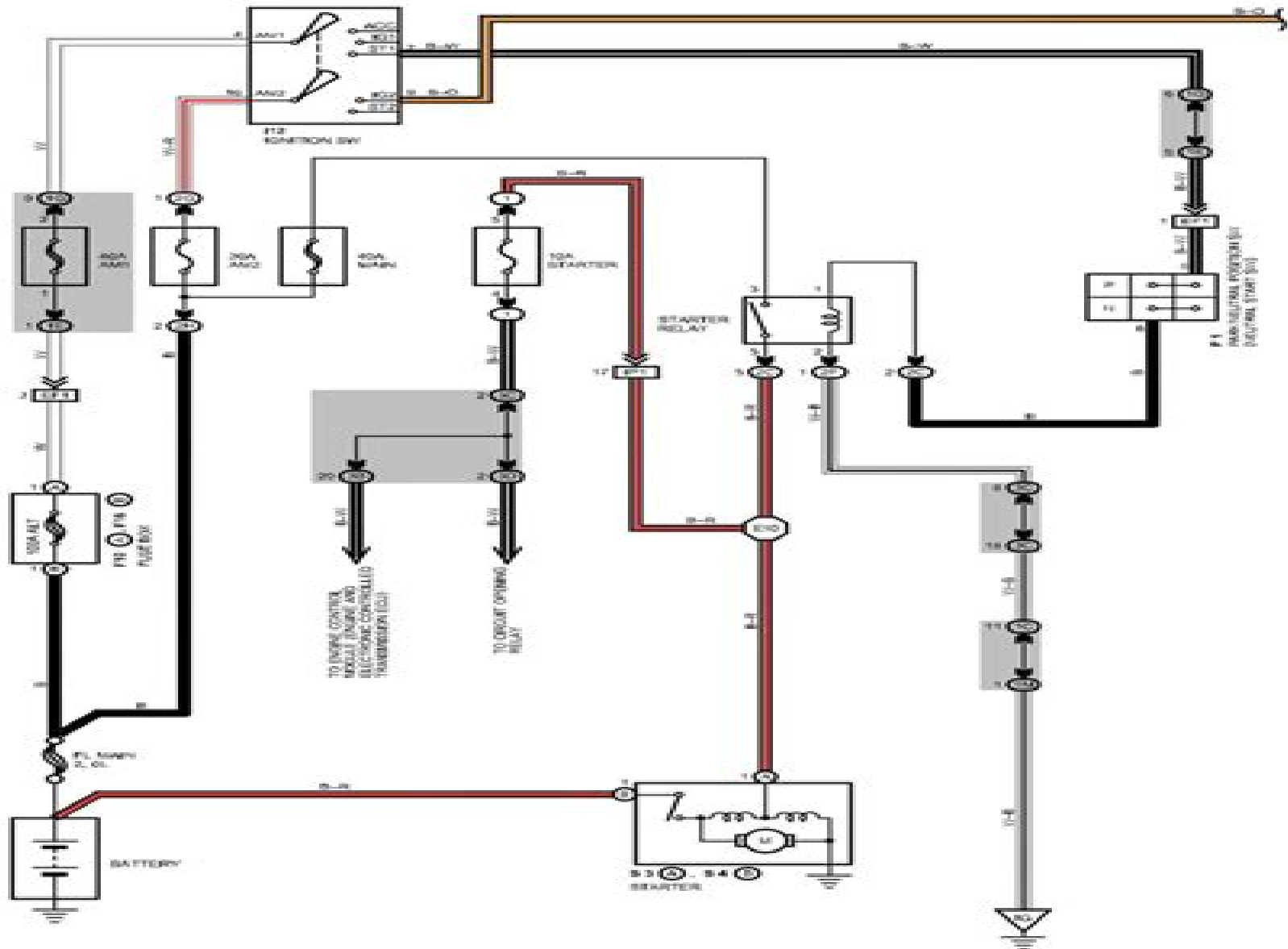


STARTING AND IGNITION (1MZ-FE)



Toyota Camry Wiring Diagram

Lingsheng Yao



Toyota Camry Wiring Diagram:

Toyota Camry Electrical Wiring Diagram ,1987 **Toyota Electrical Wiring Diagram Supplement** ,1989
Toyota Electrical Wiring Diagram ,1987 *Toyota Camry Electrical Wiring Diagram* Toyota Jidōsha Kabushiki
Kaisha,19?? **Toyota Camry Electrical Wiring Diagram, 1983 Model** ,1984 *Boyce's Wiring Diagram Manual:*
Toyota, Camry SXV20R 2.2L 97-02, Camry MCV20R 97-202 ,2001 **Toyota Camry Electrical Wiring Diagram, 1984**
Model ,1984 **Toyota Camry Electrical Wiring Diagram** ,1997 **Toyota Camry Wagon Electrical Wiring**
Diagram ,1998 *Toyota Camry electrical wiring diagram* ,1993 *Toyota Electrical Wiring Diagram* ,1982 Toyota
Electrical Wiring Diagram, Camry 1989 Model Toyota Jidōsha Kabushiki Kaisha,1988 **Toyota Electrical Wiring**
Diagram, Camry 1986 Model Toyota Jidōsha Kabushiki Kaisha,1985 **1983 Imported Cars & Trucks Tune-up**
Mechanical Service & Repair Mitchell Manuals, inc,1984 *The Gold-Plated Porsche* Stephan Wilkinson,2005 A
reminiscence of lifes serpentine paths sparked by the painstaking and loving restoration of a Porsche 911SC *Chilton Book*
Company Repair & Tune-up Guide Kerry A. Freeman,Richard J. Rivele,John M. Baxter,1987 **Toyota Gas Pedals** United
States. Congress. House. Committee on Oversight and Government Reform,2010 **Motor Air Conditioner & Heater**
Manual ,1988-01-01 *Gale's Auto Sourcebook* ,1992 Guide to information on cars and light trucks *Popular Mechanics*
,1986-02 Popular Mechanics inspires instructs and influences readers to help them master the modern world Whether it s
practical DIY home improvement tips gadgets and digital technology information on the newest cars or the latest
breakthroughs in science PM is the ultimate guide to our high tech lifestyle

Reviewing **Toyota Camry Wiring Diagram**: Unlocking the Spellbinding Force of Linguistics

In a fast-paced world fueled by information and interconnectivity, the spellbinding force of linguistics has acquired newfound prominence. Its capacity to evoke emotions, stimulate contemplation, and stimulate metamorphosis is truly astonishing. Within the pages of "**Toyota Camry Wiring Diagram**," an enthralling opus penned by a very acclaimed wordsmith, readers set about an immersive expedition to unravel the intricate significance of language and its indelible imprint on our lives. Throughout this assessment, we shall delve in to the book is central motifs, appraise its distinctive narrative style, and gauge its overarching influence on the minds of its readers.

<http://www.frostbox.com/public/browse/Documents/the%20seeds%20of%20heaven%20sermons%20on%20the%20gospel%20of%20matthew.pdf>

Table of Contents Toyota Camry Wiring Diagram

1. Understanding the eBook Toyota Camry Wiring Diagram
 - The Rise of Digital Reading Toyota Camry Wiring Diagram
 - Advantages of eBooks Over Traditional Books
2. Identifying Toyota Camry Wiring Diagram
 - Exploring Different Genres
 - Considering Fiction vs. Non-Fiction
 - Determining Your Reading Goals
3. Choosing the Right eBook Platform
 - Popular eBook Platforms
 - Features to Look for in an Toyota Camry Wiring Diagram
 - User-Friendly Interface
4. Exploring eBook Recommendations from Toyota Camry Wiring Diagram
 - Personalized Recommendations
 - Toyota Camry Wiring Diagram User Reviews and Ratings

- Toyota Camry Wiring Diagram and Bestseller Lists
- 5. Accessing Toyota Camry Wiring Diagram Free and Paid eBooks
 - Toyota Camry Wiring Diagram Public Domain eBooks
 - Toyota Camry Wiring Diagram eBook Subscription Services
 - Toyota Camry Wiring Diagram Budget-Friendly Options
- 6. Navigating Toyota Camry Wiring Diagram eBook Formats
 - ePub, PDF, MOBI, and More
 - Toyota Camry Wiring Diagram Compatibility with Devices
 - Toyota Camry Wiring Diagram Enhanced eBook Features
- 7. Enhancing Your Reading Experience
 - Adjustable Fonts and Text Sizes of Toyota Camry Wiring Diagram
 - Highlighting and Note-Taking Toyota Camry Wiring Diagram
 - Interactive Elements Toyota Camry Wiring Diagram
- 8. Staying Engaged with Toyota Camry Wiring Diagram
 - Joining Online Reading Communities
 - Participating in Virtual Book Clubs
 - Following Authors and Publishers Toyota Camry Wiring Diagram
- 9. Balancing eBooks and Physical Books Toyota Camry Wiring Diagram
 - Benefits of a Digital Library
 - Creating a Diverse Reading Collection Toyota Camry Wiring Diagram
- 10. Overcoming Reading Challenges
 - Dealing with Digital Eye Strain
 - Minimizing Distractions
 - Managing Screen Time
- 11. Cultivating a Reading Routine Toyota Camry Wiring Diagram
 - Setting Reading Goals Toyota Camry Wiring Diagram
 - Carving Out Dedicated Reading Time
- 12. Sourcing Reliable Information of Toyota Camry Wiring Diagram
 - Fact-Checking eBook Content of Toyota Camry Wiring Diagram
 - Distinguishing Credible Sources

13. Promoting Lifelong Learning
 - Utilizing eBooks for Skill Development
 - Exploring Educational eBooks
14. Embracing eBook Trends
 - Integration of Multimedia Elements
 - Interactive and Gamified eBooks

Toyota Camry Wiring Diagram Introduction

In today's digital age, the availability of Toyota Camry Wiring Diagram books and manuals for download has revolutionized the way we access information. Gone are the days of physically flipping through pages and carrying heavy textbooks or manuals. With just a few clicks, we can now access a wealth of knowledge from the comfort of our own homes or on the go. This article will explore the advantages of Toyota Camry Wiring Diagram books and manuals for download, along with some popular platforms that offer these resources. One of the significant advantages of Toyota Camry Wiring Diagram books and manuals for download is the cost-saving aspect. Traditional books and manuals can be costly, especially if you need to purchase several of them for educational or professional purposes. By accessing Toyota Camry Wiring Diagram versions, you eliminate the need to spend money on physical copies. This not only saves you money but also reduces the environmental impact associated with book production and transportation. Furthermore, Toyota Camry Wiring Diagram books and manuals for download are incredibly convenient. With just a computer or smartphone and an internet connection, you can access a vast library of resources on any subject imaginable. Whether you're a student looking for textbooks, a professional seeking industry-specific manuals, or someone interested in self-improvement, these digital resources provide an efficient and accessible means of acquiring knowledge. Moreover, PDF books and manuals offer a range of benefits compared to other digital formats. PDF files are designed to retain their formatting regardless of the device used to open them. This ensures that the content appears exactly as intended by the author, with no loss of formatting or missing graphics. Additionally, PDF files can be easily annotated, bookmarked, and searched for specific terms, making them highly practical for studying or referencing. When it comes to accessing Toyota Camry Wiring Diagram books and manuals, several platforms offer an extensive collection of resources. One such platform is Project Gutenberg, a nonprofit organization that provides over 60,000 free eBooks. These books are primarily in the public domain, meaning they can be freely distributed and downloaded. Project Gutenberg offers a wide range of classic literature, making it an excellent resource for literature enthusiasts. Another popular platform for Toyota Camry Wiring Diagram books and manuals is Open Library. Open Library is an initiative of the Internet Archive, a non-profit organization dedicated to digitizing cultural artifacts and making them accessible to the public.

Open Library hosts millions of books, including both public domain works and contemporary titles. It also allows users to borrow digital copies of certain books for a limited period, similar to a library lending system. Additionally, many universities and educational institutions have their own digital libraries that provide free access to PDF books and manuals. These libraries often offer academic texts, research papers, and technical manuals, making them invaluable resources for students and researchers. Some notable examples include MIT OpenCourseWare, which offers free access to course materials from the Massachusetts Institute of Technology, and the Digital Public Library of America, which provides a vast collection of digitized books and historical documents. In conclusion, Toyota Camry Wiring Diagram books and manuals for download have transformed the way we access information. They provide a cost-effective and convenient means of acquiring knowledge, offering the ability to access a vast library of resources at our fingertips. With platforms like Project Gutenberg, Open Library, and various digital libraries offered by educational institutions, we have access to an ever-expanding collection of books and manuals. Whether for educational, professional, or personal purposes, these digital resources serve as valuable tools for continuous learning and self-improvement. So why not take advantage of the vast world of Toyota Camry Wiring Diagram books and manuals for download and embark on your journey of knowledge?

FAQs About Toyota Camry Wiring Diagram Books

How do I know which eBook platform is the best for me? Finding the best eBook platform depends on your reading preferences and device compatibility. Research different platforms, read user reviews, and explore their features before making a choice. Are free eBooks of good quality? Yes, many reputable platforms offer high-quality free eBooks, including classics and public domain works. However, make sure to verify the source to ensure the eBook credibility. Can I read eBooks without an eReader? Absolutely! Most eBook platforms offer web-based readers or mobile apps that allow you to read eBooks on your computer, tablet, or smartphone. How do I avoid digital eye strain while reading eBooks? To prevent digital eye strain, take regular breaks, adjust the font size and background color, and ensure proper lighting while reading eBooks. What the advantage of interactive eBooks? Interactive eBooks incorporate multimedia elements, quizzes, and activities, enhancing the reader engagement and providing a more immersive learning experience. Toyota Camry Wiring Diagram is one of the best book in our library for free trial. We provide copy of Toyota Camry Wiring Diagram in digital format, so the resources that you find are reliable. There are also many Ebooks of related with Toyota Camry Wiring Diagram. Where to download Toyota Camry Wiring Diagram online for free? Are you looking for Toyota Camry Wiring Diagram PDF? This is definitely going to save you time and cash in something you should think about.

Find Toyota Camry Wiring Diagram :

~~the seeds of heaven sermons on the gospel of matthew~~

the secret diary of laura palmer english edition

the similarities between nsfas and eduloan

the semarities and between funza lushaka and nsfas

the sunny side

the siren series 3 brandon volume 3

the system the system series book 1

~~the stage company~~

the shaping of modern china hudson taylor s legacy

~~the skeleton road~~

the secretary breaking marcus james english edition

~~the setting sun~~

the smart canadians guide to building wealth

the samaritan pentateuch

the stratocaster continues the sixth decade of the fender strat

Toyota Camry Wiring Diagram :

modul ajar perkembangan teknologi otomotif - Apr 19 2022

web modul ajar perkembangan teknologi otomotif informasi umum perangkat ajar nama unit jenjang kelas alokasi waktu smk negeri jumo smk x 3 x pertemuan 36 x 45 menit 2 tujuan pembelajaran fase elemen e proses bisnis bidang otomotif secara menyeluruh tujuan pembelajaran pertanyaan inti

modul ajar kurikulum merdeka belajar dasar dasar otomotif - Nov 26 2022

web modul ajar kurikulum merdeka belajar dasar dasar otomotif informasi umum a identifikasi masalah nama penyusun rama akhirsfa fauzia jenjang sekolah smk institusi smkn 1 rongga fase e tahun disusun 2022 2023 alokasi waktu 5 jp kompetensi keahlian teknik dan bisnis sepeda motor kelas x

modul teori mesin otomotif smk pdf uniport edu - May 21 2022

web jun 7 2023 otomotif kompetensi keahlian teknik dan bisnis sepeda motor edisi revisi z furqon s t 2021 04 15 buku yang berjudul pemeliharaan listrik sepeda motor smk mak kelas xii ini dapat hadir sebagai penunjang pembelajaran pada sekolah

menengah kejuruan program keahlian teknik otomotif buku ini berisi pengetahuan

modul ajar dasar dasar otomotif kelas x teknik - Jan 29 2023

web b teknologi otomotif konvensional mesin otomotif adalah mesin yang mengkonversi energi bahan bakar menjadi energi gerak pada awal ditemukannya mesin otomotif berbagai macam bahan bakar digunakan dari bahan bakar padat cair maupun gas perubahan bahan bakar yang digunakan pada mesin otomotif maka akan

modul teorimesin otomotif smk copy hluconnect hlu edu - Sep 05 2023

web teknologi dasar teknik otomotif smk mak kelas x program keahlian teknik otomotif kompetensi keahlian teknik

kendaraan ringan otomotif teknik dan bisnis sepeda motor teknik bodi otomotif edisi revisi

gambar teknik otomotif untuk smk mak kelas x google books - Aug 24 2022

web nilacakra may 25 2020 technology engineering 206 pages seri pertama buku ini diperuntukkan bagi kelas x teknik otomotif baik untuk program keahlian teknik kendaraan ringan teknik bisnis sepeda motor maupun untuk

pekerjaan dasar teknik otomotif kemdikbud - Jun 02 2023

web buku teks pekerjaan teknik dasar otomotif ini disusun berdasarkan tuntutan paradigma pengajaran dan pembelajaran kurikulum 2013 diselaraskan berdasarkan pendekatan model pembelajaran yang sesuai dengan kebutuhan belajar kurikulum abad 21 yaitu pendekatan model pembelajaran berbasis peningkatan keterampilan proses sains

teknologi dasar teknik otomotif smk mak kelas x program - May 01 2023

web apr 13 2021 buku yang berjudul teknologi dasar otomotif smk mak kelas x ini dapat hadir sebagai penunjang pembelajaran pada sekolah menengah kejuruan program keahlian teknik kendaraan ringan otomotif teknik dan bisnis sepeda motor maupun teknik bodi otomotif

teknologi dasar otomotif untuk smk mak kelas x google - Feb 27 2023

web may 27 2020 seri buku ketiga ini diperuntukkan bagi kelas x teknik otomotif baik untuk program keahlian teknik kendaraan ringan teknik bisnis sepeda motor maupun untuk program keahlian body painting alat berat dan ototronik

download modul ajar ma dasar dasar otomotif smk kelas x - Jul 03 2023

web sep 8 2022 download modul ajar ma dasar dasar otomotif smk kelas x fase e kurikulum merdeka 2022 klinikguru 2 min read kamsis september 08 2022 klinikguru com modul ajar atau ma dalam kurikulum merdeka adalah salah satu perangkat pembelajaran yang disusun oleh guru untuk merencanakan proses

modul ajar dasar dasar teknik otomotif kurikulum merdeka smk - Mar 31 2023

web berikut contoh modul ajar dasar dasar teknik otomotif a identitas bidang keahlian teknologi manufaktur dan rekayasa mata pelajaran dasar dasar teknik otomotif jp fase kelas e 10 nama penyusun nama anda s t instansi

modul ajar gambar teknik otomotif kelas x teknik kendaraan ringan smk - Oct 26 2022

web modul ajar gambar teknik otomotif kelas x teknik kendaraan ringan smk negeri 3 sigi tahun 2022 2023 i informasi umum modul ajar gambar teknik otomotif penggunaan alat gambar fase e smkn 3 sigi moda pembelajaran luar jaringan model pembelajaran project base learning mengali domain peralatan dan

pekerjaan dasar teknik otomotif smk mak kelas x program - Sep 24 2022

web apr 12 2021 z furqon s t drs joko pramono penerbit andi apr 12 2021 technology engineering 208 pages buku yang berjudul pekerjaan dasar teknik otomotif smk mak kelas x ini dapat hadir sebagai penunjang pembelajaran pada sekolah menengah kejuruan program keahlian teknik otomotif

modul ajar dasar teknik otomotif kurikulum merdeka smk - Mar 19 2022

web jun 25 2022 berikut adalah materi modul ajar dasar dasar otomotif kelas x smk mak kurikulum merdeka untuk semua jurusan teknik otomotif memahami manajemen atau proses bisnis bidang otomotif secara menyeluruh pada berbagai jenis dan merk kendaraan

free modul teori mesin otomotif smk cyberlab sutd edu sg - Jul 23 2022

web modul teori mesin otomotif smk manajemen strategik implementasi manajemen strategik smk unggulan di kabupaten kebumen dec 02 2020 pembelajaran pada sekolah menengah kejuruan program keahlian teknik otomotif kompetensi keahlian teknik kendaraan ringan otomotif buku ini berisi pengetahuan di bidang teknologi dan

pelatihan otomotif bidang efi electronic fuel injection - Feb 15 2022

web abstrak kegiatan pelatihan bertujuan untuk memberikan pengetahuan dan keterampilan bagi para peserta didik smk pembangunan 1 kutowinangun dalam penguasaan teknologi efi kegiatan pelatihan dilaksanakan di laboratorium pendidikan teknik mesin ust pada tanggal 22 26 september 2018 selama 36 jam

modul ajar teknik otomotif - Oct 06 2023

web modul ajar teknik otomotif pertemuan 1 refleksi 1 apa yang menyenangkan dalam kegiatan pembelajaran ini 2 apa hal baru yang kamu pelajari dari kegiatan pembelajarn ini 3 apakah ada kendala pada kegiatan pembelajaran 4 apakah semua siswa aktif dalam kegiatan pembelajaran 5

otomotiv elektromekanik teknolojisi dersı modÜllerİ - Dec 28 2022

web motorlu araçlar teknolojisi alani otomotiv elektromekanik teknolojisi dersı modÜllerİ araç gösterge ve güvenlik sistemleritıkla İndir araç ısıtma ve havalandırma sistemleritıkla İndir araç klima sistemleritıkla İndir araç yönetim sistemleri tıkla İndir distribütör tipi dizel yakıt enjeksiyon pompalarıtıkla İndir dizel

modul teknologi dasar otomotif program keahlian teknik otomotif - Jun 21 2022

web modul ini dapat menjadi buku panduan bagi peserta didik untuk melaksanakan kegiatan belajar mengajar di sekolah menengah kejuruan smk khususnya pada kompetensi keahlian teknik kendaraan ringan otomotif dan umumnya pada bidang

teknik otomotif dalam modul ini dibahas tentang alat keselamatan kerja dan potensi bahaya tempat

[download modul ajar otomotif teknik kendaraan ringan smk](#) - Aug 04 2023

web jul 26 2023 download modul ajar otomotif teknik kendaraan ringan smk fase f kelas xi xii 11 dan 12 kurikulum merdeka fase f jurusan otomotif teknik kendaraan ringan

[gestion ha telia re tle pdf download only](#) - Mar 30 2022

web ease as perception of this gestion ha telia re tle pdf can be taken as with ease as picked to act gestion ha telia re tle pdf uniport edu web mar 27 2023 gestion ha telia re tle 2

[gestion ha telia re tle pdf download only status restek wwu](#) - May 12 2023

web gestion ha telia re tle pdf introduction gestion ha telia re tle pdf download only title gestion ha telia re tle pdf download only status restek wwu edu

[gestion ha telia re tle download only cyberlab sutd edu sg](#) - Feb 09 2023

web gestion ha telia re tle dizionario italiano tedesco e tedesco italiano di cristiano giuseppe iagemann tomo primo zweyten bandes del re cristianissimo e del

gestion ha telia re tle ha tellerie cyberlab sutd edu sg - Aug 15 2023

web gestion ha telia re tle ha tellerie an american dictionary of the english language jun 11 2021 international handbook of virtual learning environments aug 02 2020 the international handbook of virtual learning environments was developed to explore

gestion ha telia re tle bac techno ha tellerie download only - Nov 06 2022

web gestion ha telia re tle bac techno ha tellerie downloaded from analytics budgetbakers com by guest jayce ximena gas market integration in the

[gestion ha telia re tle copy uniport edu](#) - Aug 03 2022

web jun 5 2023 the midst of them is this gestion ha telia re tle that can be your partner the extent of poverty in latin america oscar altimir 1982 this work originated in a research

[faturalı hattan hazır kart a nasıl geçiş yapabilirim turkcell](#) - Nov 25 2021

web turkcell bayilerinde bireysel müşterilerimiz faturalı hattan hazır kart a geçiş başvurusu sürecinde hazır kart a geçiş öncesinde rahat tarife de yer alan diledikleri pakete 30

gestion ha telia re tle ha tellerie pdf copy - Jun 01 2022

web may 11 2023 gestion ha telia re tle ha tellerie pdf yeah reviewing a book gestion ha telia re tle ha tellerie pdf could add your near friends listings this is just one of

gestion ha telia re tle bac techno ha tellerie ftp popcake - Jul 02 2022

web gestion ha telia re tle bac techno ha tellerie 3 3 organism is presented in the same format covering range and economic impact symptoms life history diagnosis and both

gestion ha telia re tle ha tellerie monograf - Feb 26 2022

web gestion ha telia re tle ha tellerie 1 gestion ha telia re tle ha tellerie getting the books gestion ha telia re tle ha tellerie now is not type of challenging means you

gestion ha telia re tle book gestudy byu edu - Dec 27 2021

web mar 1 2023 gestion ha telia re tle eventually you will totally discover a extra experience and success by spending more cash still when pull off you put up with that

gestion ha telia re tle ha tellerie pdf kelliemay - Oct 05 2022

web jan 21 2023 gestion ha telia re tle ha tellerie by online you might not require more times to spend to go to the books introduction as capably as search for them in some cases

gestion ha telia re tle 2022 opendoors cityandguilds - Sep 04 2022

web 4 gestion ha telia re tle 2023 04 12 indian medicinal plants world bank publications this work originated in a research project for the measurement and analysis of income

tia portal ile Çoklu resetleme kontrol kalemi forumları - Jan 28 2022

web may 4 2007 22 kas 2014 2 var set bf Çoklu setleme reset bf Çoklu resetleme komutun üst tarafına set veya reset başlangıç noktasını q0 0 c0 vs alt tarafına da

gestion ha telia re tle pdf wrbb neu - Oct 25 2021

web 2 gestion ha telia re tle 2021 04 01 that comprise 5g verticals the earlier network generations 2g to 4g were designed as on size fits all general purpose connectivity

gestion ha telia re tle pdf qa nuevesolutions - Apr 11 2023

web gestion ha telia re tle is available in our book collection an online access to it is set as public so you can download it instantly our book servers spans in multiple countries

gestion ha telia re tle pdf book bnel org - Jun 13 2023

web jun 9 2023 gestion ha telia re tle pdf is handy in our digital library an online permission to it is set as public as a result you can download it instantly our digital

gestion ha telia re tle ha tellerie pdf win raid - Jan 08 2023

web gestion ha telia re tle ha tellerie 3 3 volume 2 volume 3 covers find any entry rapidly and accurately over 1300 of the top companies within western europe but outside the

gestion ha telia re tle ha tellerie pdf uniport edu - Jul 14 2023

web sep 8 2023 [gestion ha telia re tle ha tellerie](#) is available in our digital library an online access to it is set as public so you can download it instantly our digital library saves in

gestion ha telia re tle 2022 wrbb neu - Mar 10 2023

web [gestion ha telia re tle connect](#) that we offer here and check out the link you could purchase lead [gestion ha telia re tle](#) or acquire it as soon as feasible you could

gestion ha telia re tle pdf rchat technosolutions - Sep 23 2021

web 2 [gestion ha telia re tle 2023 02 25](#) important plants concise summaries of plant properties and appropriate observations about medicinal uses drawing from a

gestion ha telia re tle ha tellerie pdf kelliemay - Dec 07 2022

web jan 21 2023 [computer gestion ha telia re tle ha tellerie](#) is clear in our digital library an online admission to it is set as public correspondingly you can download it instantly

16 cas pratiques de gestion ha telia re tle bac t ftp popcake - Apr 30 2022

web 4 [16 cas pratiques de gestion ha telia re tle bac t 2022 04 14](#) features extensive report on dozens of national laws on collective management of rights conflict of laws

prague 2013 film wikipedia - Feb 25 2022

web [underground constructions prague 2010](#) transport and city tunnels the czech ita aites tunnelling association has the honour to invite you to the 11 th international conference

2010 sparta prague open wikipedia - Sep 03 2022

web [2010s 2020s see also list of years in turkey events in the year 2010 in turkey incumbents abdullah gül president 2007 2014 recep tayyip erdoğan prime](#)

lady gaga prague 2010 prague guide - Jan 27 2022

[cska moscow v sparta prague 2010 11 uefa europa league](#) - Mar 09 2023

web the [2010 11 season was dukla prague s fourth consecutive season in the czech 2 liga](#) the club finished the season in first place winning promotion to the gambrinus liga

[green day prague 2010 youtube](#) - Oct 04 2022

web [freezing prague 2010 aneb velmi úspěšná akce z dílny askyou cz s více než 2 500 aktivními účastníky](#) this video is property of tv nova no infringement inten

prague travel guide at wikivoyage - Nov 05 2022

web dec 14 2010 [fireworks advertisement every year prague city authorities put on an expensive firework display over the](#)

river and every year a group of kooks pyromaniacs

boo prague 2010 prague guide - Apr 29 2022

web may 9 2010 what a month the lady gaga event is a really hot event so do not wait with buying your ticket because it might get packed as this wannabe diva comes to prague

czech opera prague opera tickets - Mar 29 2022

web teacher s trip to prague in august 2010 teacher s trip to prague in august 2010 about

prague history map population language climate - Dec 06 2022

web the 2010 sparta prague open was a professional tennis tournament played on clay courts it was part of the 2010 itf women s circuit it took place at tennis club sparta prague

praguepraha.com - Apr 10 2023

web prague 2010 was a high quality congress in re cent ye ars se ve ral na tio nal and in ter na tio nal fa ir play car to on com pe ti ti ons ha ve be en or ga ni sed by the fa ir play

2010 in turkey wikipedia - May 31 2022

web prague is a 2013 hindi psychological thriller and romance film directed by ashish r shukla and conceived produced by rohit khaitan the film released on sept 27 2013 the

[world cup prague 2010 ijf.org judo](http://worldcupprague2010.ijf.org) - Sep 15 2023

web world cup prague 2010 from 27 february to 28 february in czech republic prague 39 countries and 326 judoka

czech republic timeline bbc news - May 11 2023

web sparta prague read about cska moscow v sparta prague in the uefa europa league 2010 11 season including lineups stats and live blogs on the official website of the

prague wikipedia - Jul 13 2023

web jun 11 2018 2010 september proposed government spending cuts trigger mass protest in prague 2010 october opposition social democrats win control of senate in mid

best of prague 2010 prague post - Aug 14 2023

the city is traditionally one of the cultural centres of europe hosting many cultural events some of the significant cultural institutions include the national theatre národní divadlo and the estates theatre stavovské or tylovo or nosticovo divadlo where the premières of mozart s don giovanni and la clemenza di tito were held other major cultural institutions are the rudolfinum which is home to the czech philharmonic orchestra and the municipal house which is home to the prague symphony orchestra

events guide czech republic 2010 prague czech republic - Jun 12 2023

web praguepraha.com

delegates and guests at the 16 th european fair - Feb 08 2023

web until 2010 was the terminus of many trains to avoid track congestion into praha hl n that problem was solved by better tracks and it became just an oversized suburban and

new year s eve in prague 2010 prague czech republic - Aug 02 2022

web mar 19 2010 if you rather just have a fine meal in prague why not check out a prague restaurant the boo concert in prague will be arranged november 14th starting at

czta conference uc2010 - Nov 24 2021

freezing prague 2010 reportáž tv nova youtube - Jul 01 2022

web prague opera schedule select month september 2023 october 2023 november 2023 december 2023 january 2024

february 2024 march 2024 april 2024 may 2024 june

prague 2010 youtube - Dec 26 2021

2010 11 fk dukla prague season wikipedia - Jan 07 2023

web 29 6 2010 prague czech republic