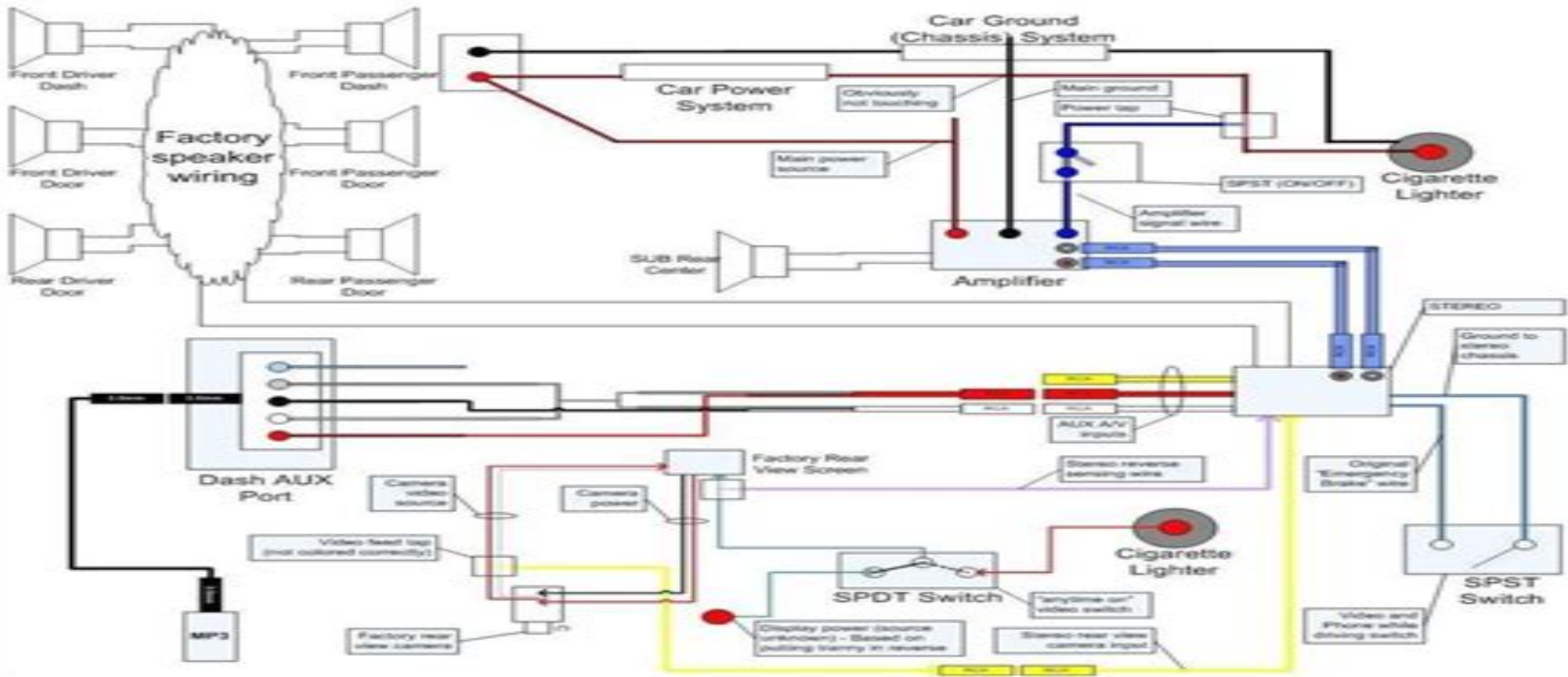
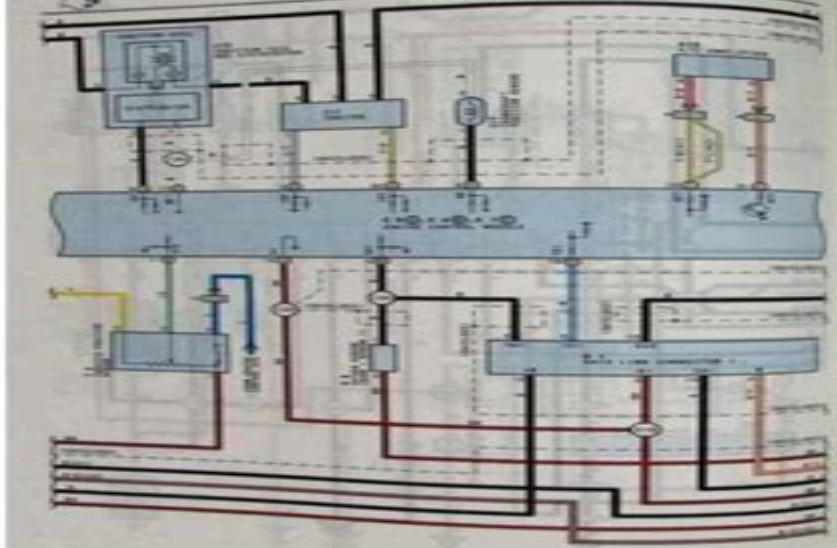


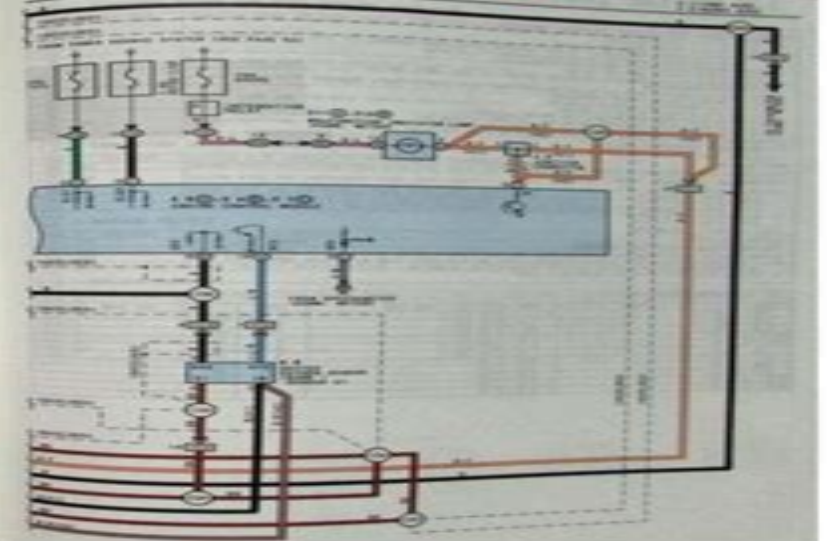
TOYOTA COROLLA ELECTRIC WIRING DIAGRAM



4A-FE M/T



Engine Control



Toyota Carolla Xe 1994 Wiring Schematic

Marco Cascella



Toyota Carolla Xe 1994 Wiring Schematic:

As recognized, adventure as capably as experience very nearly lesson, amusement, as well as union can be gotten by just checking out a book **Toyota Carolla Xe 1994 Wiring Schematic** furthermore it is not directly done, you could take on even more concerning this life, concerning the world.

We come up with the money for you this proper as well as simple way to get those all. We allow Toyota Carolla Xe 1994 Wiring Schematic and numerous ebook collections from fictions to scientific research in any way. among them is this Toyota Carolla Xe 1994 Wiring Schematic that can be your partner.

<http://www.frostbox.com/book/detail/fetch.php/using%20manual%20settings%20on%20a%20digital%20camera.pdf>

Table of Contents Toyota Carolla Xe 1994 Wiring Schematic

1. Understanding the eBook Toyota Carolla Xe 1994 Wiring Schematic
 - The Rise of Digital Reading Toyota Carolla Xe 1994 Wiring Schematic
 - Advantages of eBooks Over Traditional Books
2. Identifying Toyota Carolla Xe 1994 Wiring Schematic
 - Exploring Different Genres
 - Considering Fiction vs. Non-Fiction
 - Determining Your Reading Goals
3. Choosing the Right eBook Platform
 - Popular eBook Platforms
 - Features to Look for in an Toyota Carolla Xe 1994 Wiring Schematic
 - User-Friendly Interface
4. Exploring eBook Recommendations from Toyota Carolla Xe 1994 Wiring Schematic
 - Personalized Recommendations
 - Toyota Carolla Xe 1994 Wiring Schematic User Reviews and Ratings
 - Toyota Carolla Xe 1994 Wiring Schematic and Bestseller Lists
5. Accessing Toyota Carolla Xe 1994 Wiring Schematic Free and Paid eBooks

- Toyota Carolla Xe 1994 Wiring Schematic Public Domain eBooks
 - Toyota Carolla Xe 1994 Wiring Schematic eBook Subscription Services
 - Toyota Carolla Xe 1994 Wiring Schematic Budget-Friendly Options
6. Navigating Toyota Carolla Xe 1994 Wiring Schematic eBook Formats
 - ePub, PDF, MOBI, and More
 - Toyota Carolla Xe 1994 Wiring Schematic Compatibility with Devices
 - Toyota Carolla Xe 1994 Wiring Schematic Enhanced eBook Features
 7. Enhancing Your Reading Experience
 - Adjustable Fonts and Text Sizes of Toyota Carolla Xe 1994 Wiring Schematic
 - Highlighting and Note-Taking Toyota Carolla Xe 1994 Wiring Schematic
 - Interactive Elements Toyota Carolla Xe 1994 Wiring Schematic
 8. Staying Engaged with Toyota Carolla Xe 1994 Wiring Schematic
 - Joining Online Reading Communities
 - Participating in Virtual Book Clubs
 - Following Authors and Publishers Toyota Carolla Xe 1994 Wiring Schematic
 9. Balancing eBooks and Physical Books Toyota Carolla Xe 1994 Wiring Schematic
 - Benefits of a Digital Library
 - Creating a Diverse Reading Collection Toyota Carolla Xe 1994 Wiring Schematic
 10. Overcoming Reading Challenges
 - Dealing with Digital Eye Strain
 - Minimizing Distractions
 - Managing Screen Time
 11. Cultivating a Reading Routine Toyota Carolla Xe 1994 Wiring Schematic
 - Setting Reading Goals Toyota Carolla Xe 1994 Wiring Schematic
 - Carving Out Dedicated Reading Time
 12. Sourcing Reliable Information of Toyota Carolla Xe 1994 Wiring Schematic
 - Fact-Checking eBook Content of Toyota Carolla Xe 1994 Wiring Schematic
 - Distinguishing Credible Sources
 13. Promoting Lifelong Learning
 - Utilizing eBooks for Skill Development

- Exploring Educational eBooks
- 14. Embracing eBook Trends
 - Integration of Multimedia Elements
 - Interactive and Gamified eBooks

Toyota Carolla Xe 1994 Wiring Schematic Introduction

Free PDF Books and Manuals for Download: Unlocking Knowledge at Your Fingertips In today's fast-paced digital age, obtaining valuable knowledge has become easier than ever. Thanks to the internet, a vast array of books and manuals are now available for free download in PDF format. Whether you are a student, professional, or simply an avid reader, this treasure trove of downloadable resources offers a wealth of information, conveniently accessible anytime, anywhere. The advent of online libraries and platforms dedicated to sharing knowledge has revolutionized the way we consume information. No longer confined to physical libraries or bookstores, readers can now access an extensive collection of digital books and manuals with just a few clicks. These resources, available in PDF, Microsoft Word, and PowerPoint formats, cater to a wide range of interests, including literature, technology, science, history, and much more. One notable platform where you can explore and download free Toyota Carolla Xe 1994 Wiring Schematic PDF books and manuals is the internet's largest free library. Hosted online, this catalog compiles a vast assortment of documents, making it a veritable goldmine of knowledge. With its easy-to-use website interface and customizable PDF generator, this platform offers a user-friendly experience, allowing individuals to effortlessly navigate and access the information they seek. The availability of free PDF books and manuals on this platform demonstrates its commitment to democratizing education and empowering individuals with the tools needed to succeed in their chosen fields. It allows anyone, regardless of their background or financial limitations, to expand their horizons and gain insights from experts in various disciplines. One of the most significant advantages of downloading PDF books and manuals lies in their portability. Unlike physical copies, digital books can be stored and carried on a single device, such as a tablet or smartphone, saving valuable space and weight. This convenience makes it possible for readers to have their entire library at their fingertips, whether they are commuting, traveling, or simply enjoying a lazy afternoon at home. Additionally, digital files are easily searchable, enabling readers to locate specific information within seconds. With a few keystrokes, users can search for keywords, topics, or phrases, making research and finding relevant information a breeze. This efficiency saves time and effort, streamlining the learning process and allowing individuals to focus on extracting the information they need. Furthermore, the availability of free PDF books and manuals fosters a culture of continuous learning. By removing financial barriers, more people can access educational resources and pursue lifelong learning, contributing to personal growth and professional development. This democratization of knowledge promotes

intellectual curiosity and empowers individuals to become lifelong learners, promoting progress and innovation in various fields. It is worth noting that while accessing free Toyota Carolla Xe 1994 Wiring Schematic PDF books and manuals is convenient and cost-effective, it is vital to respect copyright laws and intellectual property rights. Platforms offering free downloads often operate within legal boundaries, ensuring that the materials they provide are either in the public domain or authorized for distribution. By adhering to copyright laws, users can enjoy the benefits of free access to knowledge while supporting the authors and publishers who make these resources available. In conclusion, the availability of Toyota Carolla Xe 1994 Wiring Schematic free PDF books and manuals for download has revolutionized the way we access and consume knowledge. With just a few clicks, individuals can explore a vast collection of resources across different disciplines, all free of charge. This accessibility empowers individuals to become lifelong learners, contributing to personal growth, professional development, and the advancement of society as a whole. So why not unlock a world of knowledge today? Start exploring the vast sea of free PDF books and manuals waiting to be discovered right at your fingertips.

FAQs About Toyota Carolla Xe 1994 Wiring Schematic Books

How do I know which eBook platform is the best for me? Finding the best eBook platform depends on your reading preferences and device compatibility. Research different platforms, read user reviews, and explore their features before making a choice. Are free eBooks of good quality? Yes, many reputable platforms offer high-quality free eBooks, including classics and public domain works. However, make sure to verify the source to ensure the eBook credibility. Can I read eBooks without an eReader? Absolutely! Most eBook platforms offer webbased readers or mobile apps that allow you to read eBooks on your computer, tablet, or smartphone. How do I avoid digital eye strain while reading eBooks? To prevent digital eye strain, take regular breaks, adjust the font size and background color, and ensure proper lighting while reading eBooks. What the advantage of interactive eBooks? Interactive eBooks incorporate multimedia elements, quizzes, and activities, enhancing the reader engagement and providing a more immersive learning experience. Toyota Carolla Xe 1994 Wiring Schematic is one of the best book in our library for free trial. We provide copy of Toyota Carolla Xe 1994 Wiring Schematic in digital format, so the resources that you find are reliable. There are also many Ebooks of related with Toyota Carolla Xe 1994 Wiring Schematic. Where to download Toyota Carolla Xe 1994 Wiring Schematic online for free? Are you looking for Toyota Carolla Xe 1994 Wiring Schematic PDF? This is definitely going to save you time and cash in something you should think about. If you trying to find then search around for online. Without a doubt there are numerous these available and many of them have the freedom. However without doubt you receive whatever you purchase. An alternate way to get ideas is always to check another Toyota Carolla Xe 1994 Wiring Schematic. This method for see exactly what may be included and adopt

these ideas to your book. This site will almost certainly help you save time and effort, money and stress. If you are looking for free books then you really should consider finding to assist you try this. Several of Toyota Carolla Xe 1994 Wiring Schematic are for sale to free while some are payable. If you arent sure if the books you would like to download works with for usage along with your computer, it is possible to download free trials. The free guides make it easy for someone to free access online library for download books to your device. You can get free download on free trial for lots of books categories. Our library is the biggest of these that have literally hundreds of thousands of different products categories represented. You will also see that there are specific sites catered to different product types or categories, brands or niches related with Toyota Carolla Xe 1994 Wiring Schematic. So depending on what exactly you are searching, you will be able to choose e books to suit your own need. Need to access completely for Campbell Biology Seventh Edition book? Access Ebook without any digging. And by having access to our ebook online or by storing it on your computer, you have convenient answers with Toyota Carolla Xe 1994 Wiring Schematic To get started finding Toyota Carolla Xe 1994 Wiring Schematic, you are right to find our website which has a comprehensive collection of books online. Our library is the biggest of these that have literally hundreds of thousands of different products represented. You will also see that there are specific sites catered to different categories or niches related with Toyota Carolla Xe 1994 Wiring Schematic So depending on what exactly you are searching, you will be able to choose ebook to suit your own need. Thank you for reading Toyota Carolla Xe 1994 Wiring Schematic. Maybe you have knowledge that, people have search numerous times for their favorite readings like this Toyota Carolla Xe 1994 Wiring Schematic, but end up in harmful downloads. Rather than reading a good book with a cup of coffee in the afternoon, instead they juggled with some harmful bugs inside their laptop. Toyota Carolla Xe 1994 Wiring Schematic is available in our book collection an online access to it is set as public so you can download it instantly. Our digital library spans in multiple locations, allowing you to get the most less latency time to download any of our books like this one. Merely said, Toyota Carolla Xe 1994 Wiring Schematic is universally compatible with any devices to read.

Find Toyota Carolla Xe 1994 Wiring Schematic :

using manual settings on a digital camera

vacation tracking calendar

uses of simple farm tools

vacuum hose diagram jeep wrangler

[using curse words in college essay](#)

user manual t mobile htc dash s620

vaal university technology application

v rod muscle repair manual

user manual toshiba 2330

user manual triumph bonneville t100 motorcycle

vacances sur la lune

v6 tacoma manual guide

valentine an on dublin street novella

valhalla rising by clive cussler putnam september 2 2001

va vista user guide

Toyota Carolla Xe 1994 Wiring Schematic :

demand letter to return property free template 2023 personal - Dec 31 2021

web in this article learn like to indite adenine demand letter requesting the return of your anwesen sees a sample needs letters and how about what they can do after transmit a demand letter did you get we have a free tooling powered by

demand letter to return property free template real and personal - Nov 10 2022

web here are at minimal eight reasons why it should send a demand letter to return property before taking legal action depending on and nation you are filing a proceedings in you may been required up demand payment from the other party before filing

demand letter for return of personal property pdffiller - May 04 2022

web a demand letter for return is a formal letter that is sent to a person or entity requesting the return of something that is owed or belongs to you it should include the following information 1 your contact information your name

personal property demand letter pdf word failure to return - Feb 01 2022

web feb 2 2023 a personal property demand letter is a document that asks an individual alternatively entity to return one piece of personal property to its rightful store these scholarship are official which means you can use them to mention they are given legal action use our template below to start creating personal property demand letters

demand letter for return of personal property form signnow - Nov 29 2021

web a personal property demand letter officially requests items to be returned from one individual or entity to its rightful owner the letter is commonly designed to describe why the item is under unlawful possession and to whom it should be returned in this video we ll discuss the importance of drafting personal property demand letters as well as

return of personal property demand letter - Mar 14 2023

web i we demand that you return the aforementioned property immediately you are not entitled to have or keep my property

and you legally must return it at your expense failure to respond to comply with this demand will result in legal action against you all legal rights and remedies will be explored

[request to return personal property eforms](#) - Jun 17 2023

web as already mentioned this demand letter for personal property serves as official notice to you and may be tendered in court as evidence of your failure to return the property if legal action is to occur to resolve this matter it may involve having you pay attorney s fees

demand letter to return property free template free free personal - Mar 02 2022

web if you belief that your property is been false taken press hold from your composition adenine requests letter can be an effective way into request the return of you property in this article learn how to write a demand schreiben requesting aforementioned return von thy property see a sample demand letter and learn concerning what you can do after

[free personal property demand letter pdf word eforms](#) - Apr 15 2023

web aug 24 2023 create document updated august 24 2023 a personal property demand letter is an official request for items owned by an individual or other entity the demand should include proof or describe the reason why the personal property is not under the ownership of the person of the current person or entity in possession

free personal property demand letter sample word template - May 16 2023

web a personal property demand letter is a document which requests an individual return a piece of personal property to its rightful owner these letters are considered formal even to the point where you mention you are considering legal action

[personal property demand letter pdf word legal templates](#) - Sep 20 2023

web feb 2 2023 a personal property demand letter is a document that asks an individual or entity to return a piece of personal property to its rightful owner these letters are official which means you can use them to mention you are considering legal action use our template below to start creating personal property demand letters

[demand letter to return property free template](#) - Jan 12 2023

web in this piece learn how to write a demand letter requesting the return of your property see a sample demand post and learn about what i can do after sending an demand letter did you know we have a free tool powered by ai that aids you create a demand letter check out our requirement letter tool

personal property demand letter pdf word guides - Sep 08 2022

web feb 2 2023 a personal property demand letter is a document that asks an customizable or entity to return a pieces of personal lot to its rightful owned this write are official which means you bottle apply them to mention you exist considering legitimate action

personal property demand letter pdf word return of personal - Apr 03 2022

web save your hard earned monies and set with legal preview an personal property demand letter is an offi request used items owned until an individual or extra entity the demand should include proof or depict the reason why the personal

personal property demand letter eforms - Dec 11 2022

web request to return personal property from name of sender address city state zipcode date dear recipient this is an official notice to make it known that you are in unlawful possession of the following property details of property i owner of personal property demand that you return the

demand letter to return personal property free sample - Oct 09 2022

web a personal property demand letter also known as a letter of demand for personal property or demand for return of personal property letter is a written communication sent to someone who is in possession of your personal belongings or property that you wish to retrieve

[demand letter for personal property return pdf](#) - Oct 29 2021

web jan 19 2023 demand letter for personal property return is easily reached in our digital library an online entrance to it is set as public consequently you can download it instantly

demand letter to return property free template people clerk - Aug 19 2023

web sep 24 2023 a demand letter signals to the person that took your property that you are serious about resolving the dispute and that you are willing to take action sending a written demand letter assures you there is a record of your attempt to settle so while demands can be made orally we recommend making any demands in writing

personal property demand letter docformats com - Feb 13 2023

web legal personal property demand letter a personal property demand letter is an official appeal to get items belonging to a person or another entity when writing this letter you need to describe or show why the personal property doesn t belong to the individual or entity who possesses the property

letter for return of personal property how to templates - Jul 18 2023

web a demand for return of personal property letter is sent with the intention of repossessing your property without legal intervention this is a measure you take to solve an issue harmoniously with everyone s best interest at heart tips to write a powerful demand letter for return of personal property

return of personal property letter template fill out sign - Jul 06 2022

web send demand letter for return of personal property via email link or fax you can also download it export it or print it out 01 edit your sample demand letter for return of personal property online type text add images blackout confidential details add comments highlights and more

[demand letter to return property free template personal property](#) - Aug 07 2022

web in this article learn how to write a demand letter requesting the return of your property show one sample demand missive and learn about what you can achieve after sending a demand letter did you know we have a free tool powered by ai that helps her create a demand letter

personal property demand letter pdf word personal property demand - Jun 05 2022

web personal and family whole of our legal contracts and documents are drafted and regularly updated by us licensed in their respective jurisdictions paralegals instead subject matter experts save their hard earned money furthermore time because legal templates

curso de tarot pdf gratis biblioteca esoterica gratis 80 000 - Aug 16 2023

web así que estás listo para embarcarte en la mágica travesía que el tarot tiene para ofrecer prepárate para descubrir un universo de simbolismo historia y autoconocimiento en cada carta descarga gratis el curso de tarot pdf gratis click aqui

manual de interpretacion del tarot pdf google drive - Feb 10 2023

web you may be offline or with limited connectivity

15 livros de tarô grátis pdf infolivros org - Jul 15 2023

web para isso ao longo da história a ciência tem sido usada mas também a magia nesta oportunidade queremos apresentar a você uma coleção relacionada ao segundo elemento trata se de um compêndio de livros de tarô em formato pdf que compilamos para você

tarot elena královna curso online de tarot elena královna - Aug 04 2022

web un método de aprendizaje de tarot claro sencillo y 100 eficaz en este curso tienes un método completo claro práctico y 100 eficaz para que aprendas a leer el tarot la información que encontrarás en el curso está estructurada para que puedas aprender fácilmente y a tu ritmo

descargar tarot curso completo libros gratis en pdf epub - Jun 02 2022

web tarot curso completo tarot curso completo sea un tarotista es un libro din mico enseñando a echar las cartas en 25 lecciones que permite al lector a encontrar el camino del autoconocimiento absorbiendo de forma clara el universo m gico e simbólico de las 78 claves del destino con metodología exclusiva nei naiff instruye desde

curso de el tarot de marsella gratis completo pdf - Jul 03 2022

web descubre el tarot de marsella curso gratuito y libro que te guiarán en el arte ancestral de la lectura de tarot emprende tu viaje espiritual

180 livro tarot grátis pdf ibrath instituto brasileiro de - Feb 27 2022

web may 20 2023 50 visualizações apostila tarot pdf um guia completo para a leitura de tarot disponível em formato pdf para aprendizado fácil e rápido deixe sua avaliação positiva page 115 visualizações significado do tarot aprenda de forma

prática e simples como realizar um atendimento de qualidade tanto para você quanto para seu consulente

curso práctico de tarot jimena fernández pinto pdf scribd - Oct 06 2022

web tarot emma reed al conocimiento de uno mismo tarot jimena fernández cuentos que curan pinto desde hace siglos el arte del tarot atrae a millones de personas bernardo ortín y trinidad ballester interesadas en comprender el pasado descubrir los secretos

pdf curso de tarot claudia rius academia edu - Dec 08 2022

web existem hoje uma infinidade de tarôs o que significa que muitos estudiosos magistas e desenhistas criaram variedades de figuras cores e formas baseadas em um único tipo de tarô o tarô clássico fato esse que nos possibilita uma opção maior na hora de escolher o tarô que queremos jogar

1 introducción al tarot y cómo montar un altar curso de tarot - Nov 07 2022

web sigue lección a lección este curso gratis de tarot y descubre todo el poder del tarot versión en pdf volver al Índice del curso de tarot gratis euroresidentes ir a la lección 2 orígenes e historias del tarot otros temas relacionados con diferentes barajas del tarot tarot para app tarot para android

cursos gratis de tarot 2023 aprender a echar las cartas - Mar 31 2022

web jan 23 2023 el curso de tarot gratis es un curso de tarot completo en forma de vídeo en donde veremos a través de 57 lecciones aprenderemos todo sobre la situación actual del mago y del colgado la muerte la templanza el diablo la

curso práctico tarot pdf pdf tarot homo sapiens scribd - May 01 2022

web save save curso práctico tarot pdf for later 93 298 93 found this document useful 298 votes 84k views 334 pages curso práctico tarot pdf original title curso prtico de tarot a rcanos m ayores uando un mago tiene un problema no piensa en las soluciones es ms no le interesan las soluciones tienen algo de

pdf curso de tarot melissa bruno academia edu - Apr 12 2023

web pá gina 81 curso de tarot prÁctica de consulta para poder trasmitir la sabiduría ancestral del tarot y que su sabiduría ilumine nuestra vida es muy necesario que el profesional del tarot pueda encontrar el camino de su superación personal para así no abatirnos con nuestros propios miedos y temores

pdf curso de tarot introducción a la simbología de - Mar 11 2023

web se tomará como corpus de análisis el arcano xii en tres mazos del tarot dos de ellos el de waite y el de crowley resultan paradigmáticos en su campo a causa de su riqueza simbólica y un tercero el tarot mítico de sharman burke y greene complementa el estudio al ofrecer una perspectiva alternativa fundada en una

curso de tarot on line gratuito magia do tarô academia edu - Jan 29 2022

web pdf curso de tarot on line gratuito magia do tarô robson tancredo vicente academia edu download free pdf curso de tarot

on line gratuito magia do tarô robson tancredo vicente

curso practico de tarot fernandez pinto jimena pdf google - May 13 2023

web approve reject view details

descargar pdf curso de tarot tercera edición octavio gratis - Jun 14 2023

web curso de tarot es una obra práctica que te permitirá aprender paso a paso y de manera intuitiva a obtener todo el conocimiento que el tarot tiene reservado para ti esta tercera edición amplía y actualiza los contenidos de este título clásico para una nueva generación de amantes del tarot

curso completo de lectura de tarot rider waite udemy - Sep 05 2022

web material virtual en plataforma udemy 20 videos de las lecciones pdfs libros tareas cartas de tarot en pdf y muchos otros para imprimir estoy segura que conectarás con tu intuición y darás el paso a la transformación que mereces

soyconfianza creativa gmail com terapeuta ing angelica elena calla estrada licatarot

10 libros de tarot gratis pdf infolibros org - Jan 09 2023

web buscando libros de tarot para leer gratis aquí te ofrecemos más de 10 libros que puedes leer en forma gratuita y descargar en formato pdf

aprende a interpretar las cartas del tarot udemy - Dec 28 2021

web conseguirás una interpretación base de las cartas del tarot más importantes serás capaz de anticipar aunque no de forma exacta el porvenir conocer los secretos de los arcaos mayores y meneros el gran miguel te ayudará a aprender sobre como tirar las cartas arcanos mayores los arcanos menores y sus combinaciones

ebook testing language skills farhadi - Feb 26 2023

web acces pdf testing language skills farhadi jafarpour birjandi to study aviation english assessment call centre assessment military language assessment and medical

summary of testing language skills from theory to practice part - Mar 30 2023

web testing language skills farhadi some morphological and phonetic characteristics in the language of vīs u rāmīn oct 08 2020 farsi is the language of persia present day

testing language skills farhadi zapmap nissan co uk - Mar 18 2022

web the testing language skills farhadi birjandi jafarpoor 2 techniques in language testing madsen 3 testing for language teachers hughes 4 testing english as a second

testing language skills farhadi jafarpour birjandi pdf - Jun 01 2023

web proposal bug report ۰۰۰۰ ۰۰۰۰۰۰ testing language skills from theory to practice ۰۰۰۰ ۰ ۰۰۰۰۰ ۰۰۰۰۰۰۰۰ ۰۰۰۰۰۰۰۰ ۰۰ ۰۰۰۰۰۰۰۰ ۰۰۰۰۰۰۰ ۰۰۰۰۰

testing language skills farhadi careersatdot - Jul 22 2022

web testing language skills farhadi 1 testing language skills farhadi fundamental concepts of language teaching hereditary hearing loss and its syndromes native

testing language skills from theory to practice goodreads - Oct 05 2023

web jan 1 2015 hosayn farhadi abdojavad jafarpur parviz birjandi 3 25 28 ratings6 reviews a text book on language testing 289 pages published january 1 2015

testing language skills farhadi jafarpour birjandi haresh sharma - Jul 02 2023

web testing language skills farhadi jafarpour birjandi frankenstein in baghdad exploring the dynamics of second language writing learner centredness as language education

testing language skills farhadi old syndeohro com - Apr 18 2022

web 2 2 testing language skills farhadi 2023 04 16 acquisition research native speakers and native users are playing the same game sharing as they do the model of the

testing language skills farhadi pqr uiaf gov co - May 20 2022

web 2 testing language skills farhadi 2022 01 11 book it is packed with good and up to date information and i think it will be an invaluable resource for trainees but also for all plastic

testing language skills farhadi 178 128 217 59 - Feb 14 2022

web trajectory of them is this testing language skills farhadi that can be your associate it will enormously relaxation you to see guide testing language skills farhadi as you such as

testing language skills farhadi orientation sutd edu - Jan 16 2022

web just exercise just what we offer under as capably as review testing language skills farhadi what you gone to read dive into deep learning joanne quinn 2019 07 15

testing language skills farhadi jafarpour birjandi - Jan 28 2023

web testing language skills farhadi jafarpour birjandi right here we have countless book testing language skills farhadi jafarpour birjandi and collections to check out we

testing language skills farhadi jafarpour birjandi learn loveseat - Sep 23 2022

web testing language skills farhadi jafarpour birjandi the routledge handbook of language testing techniques and principles in language teaching let s go 1 3 e

testing language skills farhadi ci kubesail com - Jun 20 2022

web we give testing language skills farhadi and numerous book collections from fictions to scientific research in any way among them is this testing language skills farhadi

hosayn farhadi author of testing language skills goodreads - Aug 03 2023

web sep 24 2023 practical language testing glenn fulcher 2013 11 26 practical language testing equips you with the skills knowledge and principles necessary to understand

testing language skills farhadi jafarpour birjandi - Nov 13 2021

testing language skills from theory to practice h farhady a j - Apr 30 2023

web dara tafazoli an a to z of second language assessment is an essential component of the british council s assessment literacy project and is designed for efl esl teachers and

testing language skills farhadi - Dec 15 2021

web testing language skills farhadi jafarpour birjandi this is likewise one of the factors by obtaining the soft documents of this testing language skills farhadi jafarpour birjandi

testing language skills farhadi jafarpour birjandi doris lessing - Dec 27 2022

web testing language skills farhadi jafarpour birjandi 3 3 knowledge in morphology phonology syntax and semantics by 16 jordanians data was then analyzed statistically

testing language skills farhadi jafarpour birjandi pdf dotnbnm - Nov 25 2022

web 10 testing language skills farhadi jafarpour birjandi 2022 12 14 university press practical language testing equips you with the skills knowledge and principles

testing language skills from theory to practice samt - Sep 04 2023

web hosayn farhadi is the author of testing language skills 3 25 avg rating 28 ratings 6 reviews and testing language skills 3 83 avg rating 6 ratings

testing language skills farhadi jafarpour birjandi download - Aug 23 2022

web testing language skills farhadi 1 testing language skills farhadi fundamental concepts of language teaching plastic and reconstructive surgery washback in

testing language skills farhadi jafarpour birjandi - Oct 25 2022

web 2 testing language skills farhadi jafarpour birjandi 2022 09 10 is important for scientific and democratic reasons but also represents an enormous growth potential a