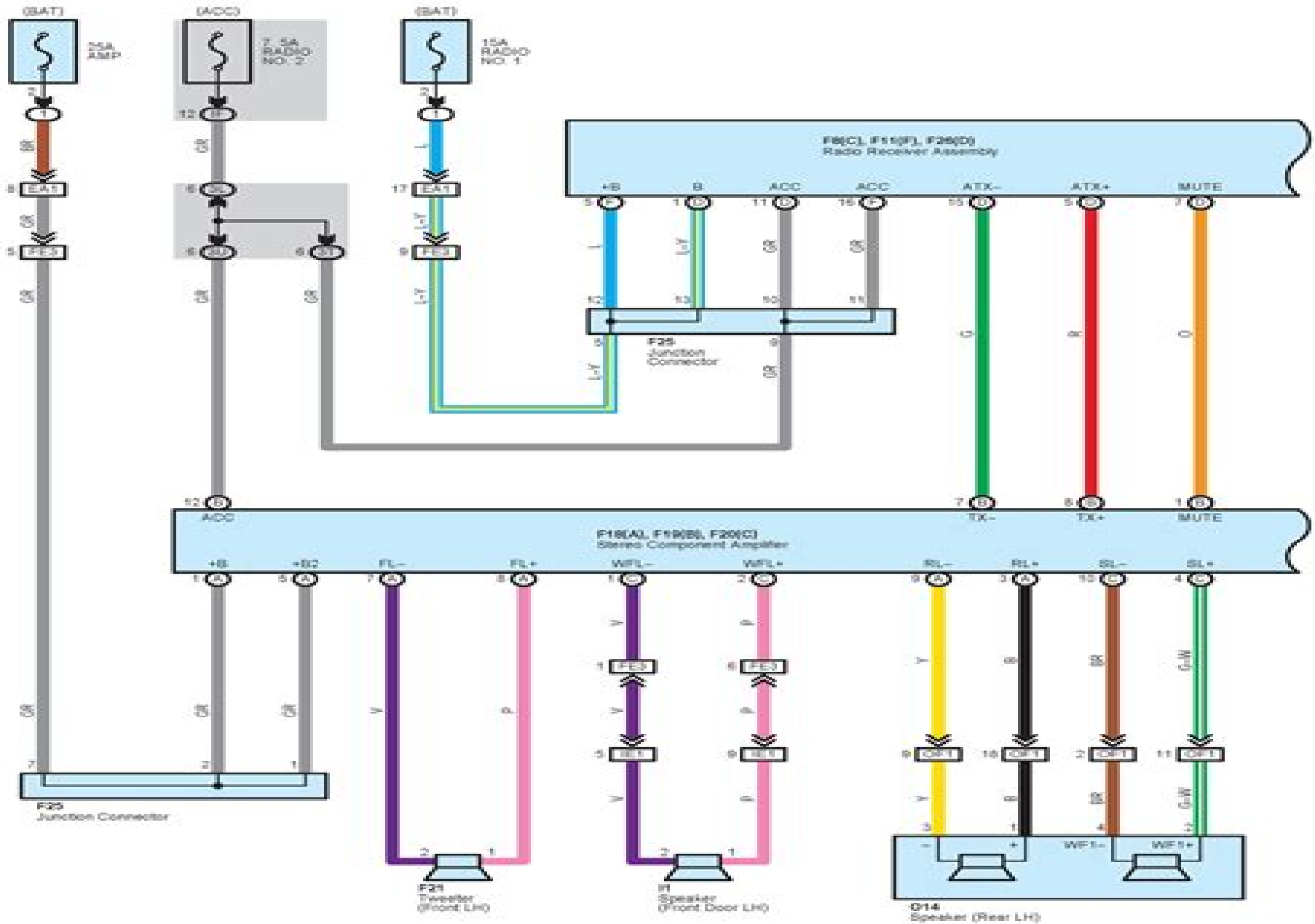


Audio System with 8 Speaker without Navigation



Toyota Camry Wiring Diagram Sxv1

**Robert Phillip Maddox, Jay Storer, John
Harold Haynes**

Toyota Camry Wiring Diagram Sxv1:

Toyota Camry Electrical Wiring Diagram ,1987 **Toyota Electrical Wiring Diagram Supplement** ,1989
Toyota Camry Electrical Wiring Diagram Toyota Jidōsha Kabushiki Kaisha,19?? *Toyota Electrical Wiring Diagram* ,1987 **Boyce's Wiring Diagram Manual: Toyota, Camry SXV20R 2.2L 97-02, Camry MCV20R 97-202** ,2001
Toyota Camry Electrical Wiring Diagram, 1983 Model ,1984 **Toyota Camry Electrical Wiring Diagram, 1984 Model** ,1984 *Toyota Camry Electrical Wiring Diagram* ,1997 [Toyota Camry Wagon Electrical Wiring Diagram](#) ,1998
[Toyota Camry electrical wiring diagram](#) ,1993 *Toyota Electrical Wiring Diagram* ,1982 *Toyota Electrical Wiring Diagram, Camry 1989 Model* Toyota Jidōsha Kabushiki Kaisha,1988 *Toyota Electrical Wiring Diagram, Camry 1986 Model* Toyota Jidōsha Kabushiki Kaisha,1985 [Toyota Camry Automotive Repair Manual](#) Robert Phillip Maddox,John Harold Haynes,1999 Models covered all Toyota Camry models 1992 through 1996 **Toyota Camry Automotive Repair Manual** Robert Phillip Maddox,Jay Storer,John Harold Haynes,2008 [Toyota Camry & Holden Apollo Automotive Repair Manual](#) Mike Forsythe,John Harold Haynes,1997 Toyota Camry Series SV11 SV20 SV21 SV22 83 92 Holden Apollo Series JK JL 89 93 2 0L 4 cylinder 3 0 V6 engines **Toyota Camry Automotive Repair Manual** Robert Phillip Maddox,Jay Storer,John Harold Haynes,1999 Toyota Camry 1997 99 Shop ManualHaynesAll models including Avalon Solara Models Sftbd 8 1 4x 1 3 4 352 pgs 844 b w ill *Toyota Electrical Wiring Diagram for U.S.A. & Canada* Toyota Jidōsha Hanbai Kabushiki Kaisha,1976 **Toyota** Toyota Motor Corporation. Overseas Service Dept,1987 **Toyota Camry Online Auto Repair Manual** Editors of Haynes Manuals,2021-01-08 Every Haynes manual is written specifically for the do it yourselfer from hands on experience based on a vehicle teardown using commonly available tools Step by step procedures are linked to hundreds of easy to follow photos and illustrations The manual includes a troubleshooting section to help identify specific problems valuable short cuts to make the job easier and eliminate the need for special tools and an easy to use index Complete coverage for your Toyota Camry covering production years 2007 thru 2017 The manual also includes Toyota Avalon and Lexus ES 350 Routine Maintenance Tune up procedures Engine clutch and transmission repair Cooling system Fuel and exhaust Ignition and electrical systems Brakes wheels and tires Steering suspension and final drive Frame and bodywork Color Wiring diagrams With a Haynes manual you can do it yourself from simple maintenance to basic repairs Whether you re a beginner or a pro you can save big with Haynes Step by step procedures Easy to follow photos Comprehensive routine maintenance and fault diagnosis sections Detailed wiring diagrams Color spark plug diagnosis

Yeah, reviewing a book **Toyota Camry Wiring Diagram Sxv1** could add your close connections listings. This is just one of the solutions for you to be successful. As understood, attainment does not suggest that you have wonderful points.

Comprehending as competently as union even more than further will offer each success. next to, the notice as capably as perspicacity of this Toyota Camry Wiring Diagram Sxv1 can be taken as capably as picked to act.

http://www.frostbox.com/files/Resources/Documents/yamaha_guitar_service_manual.pdf

Table of Contents Toyota Camry Wiring Diagram Sxv1

1. Understanding the eBook Toyota Camry Wiring Diagram Sxv1
 - The Rise of Digital Reading Toyota Camry Wiring Diagram Sxv1
 - Advantages of eBooks Over Traditional Books
2. Identifying Toyota Camry Wiring Diagram Sxv1
 - Exploring Different Genres
 - Considering Fiction vs. Non-Fiction
 - Determining Your Reading Goals
3. Choosing the Right eBook Platform
 - Popular eBook Platforms
 - Features to Look for in an Toyota Camry Wiring Diagram Sxv1
 - User-Friendly Interface
4. Exploring eBook Recommendations from Toyota Camry Wiring Diagram Sxv1
 - Personalized Recommendations
 - Toyota Camry Wiring Diagram Sxv1 User Reviews and Ratings
 - Toyota Camry Wiring Diagram Sxv1 and Bestseller Lists
5. Accessing Toyota Camry Wiring Diagram Sxv1 Free and Paid eBooks
 - Toyota Camry Wiring Diagram Sxv1 Public Domain eBooks
 - Toyota Camry Wiring Diagram Sxv1 eBook Subscription Services

- Toyota Camry Wiring Diagram Sxv1 Budget-Friendly Options
- 6. Navigating Toyota Camry Wiring Diagram Sxv1 eBook Formats
 - ePub, PDF, MOBI, and More
 - Toyota Camry Wiring Diagram Sxv1 Compatibility with Devices
 - Toyota Camry Wiring Diagram Sxv1 Enhanced eBook Features
- 7. Enhancing Your Reading Experience
 - Adjustable Fonts and Text Sizes of Toyota Camry Wiring Diagram Sxv1
 - Highlighting and Note-Taking Toyota Camry Wiring Diagram Sxv1
 - Interactive Elements Toyota Camry Wiring Diagram Sxv1
- 8. Staying Engaged with Toyota Camry Wiring Diagram Sxv1
 - Joining Online Reading Communities
 - Participating in Virtual Book Clubs
 - Following Authors and Publishers Toyota Camry Wiring Diagram Sxv1
- 9. Balancing eBooks and Physical Books Toyota Camry Wiring Diagram Sxv1
 - Benefits of a Digital Library
 - Creating a Diverse Reading Collection Toyota Camry Wiring Diagram Sxv1
- 10. Overcoming Reading Challenges
 - Dealing with Digital Eye Strain
 - Minimizing Distractions
 - Managing Screen Time
- 11. Cultivating a Reading Routine Toyota Camry Wiring Diagram Sxv1
 - Setting Reading Goals Toyota Camry Wiring Diagram Sxv1
 - Carving Out Dedicated Reading Time
- 12. Sourcing Reliable Information of Toyota Camry Wiring Diagram Sxv1
 - Fact-Checking eBook Content of Toyota Camry Wiring Diagram Sxv1
 - Distinguishing Credible Sources
- 13. Promoting Lifelong Learning
 - Utilizing eBooks for Skill Development
 - Exploring Educational eBooks
- 14. Embracing eBook Trends

- Integration of Multimedia Elements
- Interactive and Gamified eBooks

Toyota Camry Wiring Diagram Sxv1 Introduction

Toyota Camry Wiring Diagram Sxv1 Offers over 60,000 free eBooks, including many classics that are in the public domain. Open Library: Provides access to over 1 million free eBooks, including classic literature and contemporary works. Toyota Camry Wiring Diagram Sxv1 Offers a vast collection of books, some of which are available for free as PDF downloads, particularly older books in the public domain. Toyota Camry Wiring Diagram Sxv1 : This website hosts a vast collection of scientific articles, books, and textbooks. While it operates in a legal gray area due to copyright issues, its a popular resource for finding various publications. Internet Archive for Toyota Camry Wiring Diagram Sxv1 : Has an extensive collection of digital content, including books, articles, videos, and more. It has a massive library of free downloadable books. Free-eBooks Toyota Camry Wiring Diagram Sxv1 Offers a diverse range of free eBooks across various genres. Toyota Camry Wiring Diagram Sxv1 Focuses mainly on educational books, textbooks, and business books. It offers free PDF downloads for educational purposes. Toyota Camry Wiring Diagram Sxv1 Provides a large selection of free eBooks in different genres, which are available for download in various formats, including PDF. Finding specific Toyota Camry Wiring Diagram Sxv1, especially related to Toyota Camry Wiring Diagram Sxv1, might be challenging as theyre often artistic creations rather than practical blueprints. However, you can explore the following steps to search for or create your own Online Searches: Look for websites, forums, or blogs dedicated to Toyota Camry Wiring Diagram Sxv1, Sometimes enthusiasts share their designs or concepts in PDF format. Books and Magazines Some Toyota Camry Wiring Diagram Sxv1 books or magazines might include. Look for these in online stores or libraries. Remember that while Toyota Camry Wiring Diagram Sxv1, sharing copyrighted material without permission is not legal. Always ensure youre either creating your own or obtaining them from legitimate sources that allow sharing and downloading. Library Check if your local library offers eBook lending services. Many libraries have digital catalogs where you can borrow Toyota Camry Wiring Diagram Sxv1 eBooks for free, including popular titles. Online Retailers: Websites like Amazon, Google Books, or Apple Books often sell eBooks. Sometimes, authors or publishers offer promotions or free periods for certain books. Authors Website Occasionally, authors provide excerpts or short stories for free on their websites. While this might not be the Toyota Camry Wiring Diagram Sxv1 full book , it can give you a taste of the authors writing style. Subscription Services Platforms like Kindle Unlimited or Scribd offer subscription-based access to a wide range of Toyota Camry Wiring Diagram Sxv1 eBooks, including some popular titles.

FAQs About Toyota Camry Wiring Diagram Sxv1 Books

How do I know which eBook platform is the best for me? Finding the best eBook platform depends on your reading preferences and device compatibility. Research different platforms, read user reviews, and explore their features before making a choice. Are free eBooks of good quality? Yes, many reputable platforms offer high-quality free eBooks, including classics and public domain works. However, make sure to verify the source to ensure the eBook credibility. Can I read eBooks without an eReader? Absolutely! Most eBook platforms offer web-based readers or mobile apps that allow you to read eBooks on your computer, tablet, or smartphone. How do I avoid digital eye strain while reading eBooks? To prevent digital eye strain, take regular breaks, adjust the font size and background color, and ensure proper lighting while reading eBooks. What the advantage of interactive eBooks? Interactive eBooks incorporate multimedia elements, quizzes, and activities, enhancing the reader engagement and providing a more immersive learning experience. Toyota Camry Wiring Diagram Sxv1 is one of the best book in our library for free trial. We provide copy of Toyota Camry Wiring Diagram Sxv1 in digital format, so the resources that you find are reliable. There are also many Ebooks of related with Toyota Camry Wiring Diagram Sxv1. Where to download Toyota Camry Wiring Diagram Sxv1 online for free? Are you looking for Toyota Camry Wiring Diagram Sxv1 PDF? This is definitely going to save you time and cash in something you should think about.

Find Toyota Camry Wiring Diagram Sxv1 :

[yamaha guitar service manual](#)

[yamaha fz1 fzs fazer 1000 shop manual 2001 2012](#)

[yamaha kodiak 4wiring diagram](#)

[yamaha gp760 gp1200 1997 1998 1999 workshop manual](#)

[yamaha it 200 service manual](#)

[yamaha jog 3kj service manual](#)

yamaha dt100 1974 service manual

[yamaha clavinoval service manual cvp87a](#)

[yamaha kodiak 400 service repair workshop manual 1993 1999](#)

[yamaha dt125 repair manual](#)

yamaha gp 1300r manual

yamaha f40b marine workshop manual

[yamaha g22a repair manual](#)

yamaha jupiter mx new 2015 manual

yamaha fx1 fx 1 fx700 waverunner 1994 1995 service repair workshop manual

Toyota Camry Wiring Diagram Sxv1 :

bath bombs a beginner s guide to making amazing bath bombs and bathtub - Jan 12 2022

web bath bombs a beginner s guide to making amazing bath bombs and bathtub treats erica evans find out how with bath bombs beginner s guide to making amazing bath bombs and bathtub treats

how to make bath bombs for beginners good housekeeping - Jul 18 2022

web feb 7 2023 1 cup baking soda 1 2 cup of citric acid 1 2 cup cornstarch 1 2 cup of epsom salt optional 2 tsp essential oil of your choice we love eucalyptus rose and lavender 2 tbsp emollient oil such

bathtub treats a guide to making bath bombs truffles and - Apr 26 2023

web jul 11 2018 bathtub treats a guide to making bath bombs truffles and melts at home using all natural skin nourishing ingredients kindle edition by courtney laura k download it once and read it on your kindle device pc phones or tablets

how to make bath bombs at home using this easy diy recipe byrdie - Nov 21 2022

web dec 12 2022 how to make your own bath bombs bath bomb recipe ingredients and materials almost all bath bomb recipes call for the same ingredients and measurements with a few occasional exceptions the key to great bath bombs is citric acid which isn t hard to find online there are of course alternatives for those with sensitive skin

4 ways to make bath bombs wikipedi - Aug 19 2022

web jan 17 2023 makes 4 to 8 small bombs or 2 large bombs ½ cup 120 ml powdered citric acid 1 cup 240 ml baking soda ¾ cup 180 ml cornstarch 1 4 cup 60 ml epsom salts optional food coloring several drops optional essential oils several drops optional water or olive oil to dampen

bathtub treats a guide to making bath bombs bath truffles and bath - Jun 28 2023

web jul 15 2018 buy bathtub treats a guide to making bath bombs bath truffles and bath melts at home using all natural skin nourishing ingredients diy bath bomb recipes by courtney laura k isbn 9781723071126 from amazon s book store everyday low prices and free delivery on eligible orders

bathtub treats a guide to making bath bombs truffles and - May 28 2023

web jul 15 2018 buy bathtub treats a guide to making bath bombs truffles and melts at home using all natural skin nourishing ingredients by courtney laura k isbn 9781653653911 from amazon s book store everyday low

bathtub treats a guide to making bath bombs truffles and - Aug 31 2023

web jul 15 2018 over 35 amazing bath bomb bath truffle and bath melt recipes with cheap easy to get ingredients great

smelling recipes for relaxation detoxification skin care and pain relief how and when to add essential oils colorants herbs and other natural additives

how to make bath bombs like lush at home gathered - Feb 10 2022

web dec 14 2021 the two essential ingredients you need to make bath bombs are citric acid and bicarbonate of soda these are the two things that react together to make the fizz anything else you add like colour scent dried petals oils or epsom salts are all bonus extras that make your bath nicer

bathtub treats a guide to making bath bombs bath truffles and bath - Jul 30 2023

web jul 15 2018 bathtub treats a guide to making bath bombs bath truffles and bath melts at home using all natural skin nourishing ingredients diy bath bomb recipes courtney laura k on amazon com free shipping on qualifying offers

how to make bath bombs bath bomb recipe youtube - Apr 14 2022

web jul 19 2022 1 1k 74k views 1 year ago for the full instructions visit onelittleproject com how to m create a spa like experience at home as you learn how to make a bath bomb with our easy

make it fizz a guide to making bathtub treats soapequipment - Jun 16 2022

web make it fizz contains 24 recipes for bath bombs bubbly bars and other bath treats from the queen of fizz holly port holly gives you a step by step guide on how to mix and test your mixture before making bath bombs she has also included troubleshooting tips on some of the most common issues that plague bb makers

how to make amazing homemade bath bombs bellatory - Feb 22 2023

web jul 5 2023 learn how to make homemade bath bombs in various shapes and colours make lemon orange fresh pine lavender and rose bath bombs and mix and match colours and scents from floral to fresh to fruity

make it fizz a guide to making bathtub treats goodreads - Oct 21 2022

web may 4 2014 in make it fizz a guide to making bathtub treats holly port will explain the easiest way to make bath bombs so that you don t have the challenges you may have had in the past with other recipes chock full of easy to understand instructions and full color pictures for the 24 recipes included you are sure to succeed with this book

bathtub treats a guide to making bath bombs truffles - Mar 26 2023

web jul 11 2018 this comprehensive guide teaches how to make different kinds of bath and shower products to pamper your skin and to give to friends and family packed full of amazing recipes with simple and clear instructions you are sure to succeed with bathtub a guide to making bath bombs bath truffles and bath melts at home using all

bathtub treats a guide to making bath bombs truffles and - Dec 23 2022

web packed full of amazing recipes with simple and clear instructions you are sure to succeed with bathtub treats a guide to making bath bombs bath truffles and bath melts at home using all natural skin nourishing ingredients regardless of your skill

level you will discover how to make beautiful bath bombs that you can add herbs spices or

6 essential tips for making bath bombs lessons from a beginner - Mar 14 2022

web aug 12 2021 making bath bombs is a worthwhile adventure in crafting for self care gift giving avoid common pitfalls

with these beginner lessons 6 essential tips for making bath bombs lessons from a beginner rootsy network

how to make bath bombs the ultimate guide professional tips - May 16 2022

web mar 11 2018 detailed tutorial on how to make bath bombs with 2 recipe examples my favorite foaming recipe and basic bath bomb recipe also tips and tricks that will help your bath bombs look and work as good as lush ones

[how to make bath bombs for beginners bathtubber](#) - Sep 19 2022

web dec 8 2019 a quick word about the molds if this is your first bath bomb adventure use the spherical stainless steel molds or the clear plastic ornament molds if you use molds with intricate designs the bath bomb is more likely to break when you take it out so let s save the fancy molds for later

how to make a bath bomb bbc good food - Jan 24 2023

web to allow your bath bombs to dry leave them uncovered in a cool dry place away from taps and humidity they will take longer to set in humid weather if you ve got more than one colour why not make a rainbow bath bomb layer up the different colours and they will blend together beautifully looking for more kids activities

winning time une histoire populaire du sport aux États unis - Apr 17 2022

web winning time une histoire populaire du sport aux États unis gone hollywood par genica baczynski À quelques jours de la reprise du championnat nba aux États unis the rise of the lakers dynasty de mark borenstein et jim hecht sort en dvd après avoir été diffusé sur ocs

histoire populaire du sport aux États unis - Nov 24 2022

web pourtant l histoire des États unis regorge d athlètes hors norme qui ont eu le cou rage d affronter les injustices et les préjugés de leur époque c est la vie et les exploits de ces héros parfois méconnus souvent adulés que raconte une histoire populaire du sport aux États unis de moose fleetwood walker baseballeur afro

sport politique et histoire la presse - Sep 22 2022

web mar 18 2017 muhammad ali billie jean king la raison pour laquelle ces noms appartiennent au panthéon du sport ne se limite pas à leurs exploits athlétiques elle tient aussi au rôle politique et

histoire populaire du sport aux États unis par zirin dave - Jan 27 2023

web résumé fin août 2016 le joueur de football américain colin kaepernick pose un genou à terre au moment de l hymne national pour protester contre les violences policières racistes ce qui lui vaut des éloges pour son courage mais aussi de violentes critiques notamment de la part de donald trump

une histoire populaire du sport aux États unis cultura - Jun 19 2022

web une histoire populaire du sport aux États unis aux éditions lux Éditeur fin août 2016 le joueur de football américain colin kaepernick pose un genou à terre au moment de l'hymne national pour protester contre les violences policières mes réservations tout le catalogue livre ebook et liseuses fournitures scolaires beaux arts loisirs créatifs

une histoire populaire du sport aux états unis broché fnac - May 31 2023

web sep 7 2017 pourtant l'histoire des états unis regorge d'athlètes hors norme qui ont eu le courage d'affronter les injustices et les préjugés de leur époque c'est la vie et les exploits de ces héros parfois méconnus souvent adulés que raconte une histoire populaire du sport aux états unis

une histoire populaire du sport aux États unis scholarvox - May 19 2022

web c'est la vie et les exploits de ces héros parfois méconnus souvent adulés que raconte une histoire populaire du sport aux États unis de moose fleetwood walker baseballeur afro américain qui dans les années 1880 a dû affronter supporters et coéquipiers racistes pour pouvoir jouer dans la première ligue à alice coachman

une histoire populaire du sport aux États unis babelio - Jul 01 2023

web mar 9 2017 l'auteur trace un portrait chronologique des différents combats et des nombreuses causes que les athlètes et personnages sportifs américains ont défendues le film nous fait voir que dans la société américaine fondée sur le racisme et l'injustice sociale le sport ne peut évoluer en marge des débats enjeux et

À lire un extrait de une histoire populaire du sport aux États unis - Oct 04 2023

web mar 16 2018 À lire un extrait de une histoire populaire du sport aux États unis de d zirin Ça chauffe à los angeles en 1992 les vestiges de l'ère reagan ont refait surface lorsque los angeles a connu la fin des temps la lune de miel de bill clinton avec le peuple s'est vite terminée lorsqu'il a

sport aux États unis wikipédia - Apr 29 2023

web le baseball a une longue tradition aux États unis la première ligue professionnelle est créée en 1876 12 ans avant la ligue anglaise en 2010 le nombre de licenciés américains à ce sport s'élève à 12 millions 6 la ligue de baseball la plus populaire aux États unis est la major league baseball mlb

une histoire populaire du sport aux États unis cultura - Jul 21 2022

web c'est la vie et les exploits de ces héros parfois méconnus souvent adulés que raconte une histoire populaire du sport aux États unis de moose fleetwood walker baseballeur afro américain qui dans les années 1880 a dû affronter supporters et coéquipiers racistes pour pouvoir jouer dans la première ligue à alice coachman

une histoire populaire du sport aux États unis lux Éditeur - Aug 02 2023

web une histoire populaire du sport aux États unis au 15 18 annie desrochers et robert frosi de l'émission le 15 18 sur les

ondes de la radio de radio canada discutent de l incroyable histoire populaire du sport aux États unis
sport et politique une histoire des États unis l humanité - Aug 22 2022

web une histoire populaire du sport aux États unis dave zirin lux 400 pages 22 euros

dave zirin une histoire populaire du sport aux États unis trad d - Sep 03 2023

web document généré le 15 oct 2023 10 25 bulletin d histoire politique dave zirin une histoire populaire du sport aux États unis trad d arianne des rochers et alex gauthier montréal lux Éditeur coll mémoire des amériques 2017 éd orig angl 2008 395 p

l autre histoire des sportifs américains contre pied le monde fr - Oct 24 2022

web sep 24 2017 dave zirin de l hebdomadaire the nation s y est collé mais son histoire populaire du sport aux États unis est elle largement axée sur la longue lutte des minorités pour

une histoire populaire du sport aux États unis apple books - Dec 26 2022

web mar 9 2017 pourtant l histoire des États unis regorge d athlètes hors norme qui ont eu le courage d affronter les injustices et les préjugés de leur époque c est la vie et les exploits de ces héros parfois méconnus souvent adulés que raconte une histoire populaire du sport aux États unis

le sport aux États unis major prépa - Feb 13 2022

web jan 26 2023 les sports les plus populaires aux États unis aux États unis les américains sont principalement fans de quatre sports le football américain nfl le hockey nhl le baseball mlb et le basketball nba ce sont les sports qui rassemblent le plus d adhérents et de spectateurs et les plus médiatisés dans le pays

dave zirin une histoire populaire du sport aux États unis É bulletin d - Mar 29 2023

web dave zirin une histoire populaire du sport aux États unis trad d arianne des rochers et alex gauthier montréal lux Éditeur coll mémoire des amériques 2017 éd orig angl 2008 395 p jean lévesque plus d informations jean lévesque département d histoire université du québec à montréal diffusion numérique 12 mars 2018 uri

une histoire populaire du sport aux États unis google books - Feb 25 2023

web c est la vie et les exploits de ces héros parfois méconnus souvent adulés que raconte une histoire populaire du sport aux États unis de moose fleetwood walker baseballeur afro américain qui dans les années 1880 a dû affronter supporters et coéquipiers racistes pour pouvoir jouer dans la première ligue à alice coachman

sport et société aux États unis bibliographie sélective 1981 2008 - Mar 17 2022

web plan bilans historiographiques et critiques histoire générale du sport aux États unis sélection anthologie d articles d études secondaires et de documents primaires quelques travaux particulièrement représentatifs de la nouvelle histoire du sport a titre de comparaison histoire du sport en france et en grande bretagne

i giganti della montagna con espansione online annotato - Sep 04 2022

web i giganti della montagna con espansione online annotato italian edition ebook pirandello luigi amazon es tienda kindle

i giganti della montagna con espansione online an pdf - Feb 26 2022

web i giganti della montagna con espansione online an pirandellian studies luigi pirandello who s who in contemporary world theatre alferi ibsen pirandello mimesis desire and the novel lezioni di drammaturgia luigi pirandello i giganti della montagna incontri con gli allievi registi dell accademia nazionale d arte drammatica

i giganti della montagna con espansione online annotato - Apr 11 2023

web abebooks com i giganti della montagna con espansione online annotato 9788867581672 and a great selection of similar new used and collectible books available now at great prices

i giganti della montagna con espansione online annotato - Feb 09 2023

web i giganti della montagna con espansione online annotato ebook pirandello luigi amazon it kindle store

i giganti della montagna film 1989 mymovies it - Apr 30 2022

web i giganti della montagna un film di mauro bolognini con irene papas flavio bucci commedia italia 1989

pdf epub i giganti della montagna con espansione gratis - Aug 15 2023

web dettagli e book i giganti della montagna con espansione online annotato autore s luigi pirandello titolo i giganti della montagna con espansione online annotato valutazione 4 7 su 5 stelle 30 voti isbn 10 8867581678 isbn 13 9788867581672 lingua italiano formato ebook pdf epub kindle audio html e mobi

amazon ae customer reviews i giganti della montagna con espansione - Jun 01 2022

web find helpful customer reviews and review ratings for i giganti della montagna con espansione online annotato at amazon ae read honest and unbiased product reviews from our users

i giganti della montagna con espansione online pocketbok - Aug 03 2022

web i giganti della montagna con espansione online pirandello luigi amazon se böcker

i giganti della montagna con espansione online luigi pirandello - Mar 10 2023

web acquista online il libro i giganti della montagna con espansione online di luigi pirandello in offerta a prezzi imbattibili su mondadori store

i giganti della montagna con espansione online annotato - Jul 14 2023

web scopri i giganti della montagna con espansione online annotato di pirandello luigi spedizione gratuita per i clienti prime e per ordini a partire da 29 spediti da amazon

i giganti della montagna con espansione online an pdf - Jan 28 2022

web 2 i giganti della montagna con espansione online an 2021 10 13 giangrande dall atmosfera brechtiana della nuova

colonia alla materia religiosa di lazzaro fino all incompiuto i giganti della montagna le opere raccolte in questo volume la cosiddetta trilogia del mito concludono la parabola artistica e ideologica di luigi pirandello tra le

i giganti della montagna con espansione online an pdf - Jun 13 2023

web lezioni di drammaturgia luigi pirandello i giganti della montagna incontri con gli allievi registi dell accademia nazionale d arte drammatica silvio d amico quando si è qualcuno la favola del figlio cambiato i giganti della montagna who s who in contemporary world theatre gian francesco malipiero 1882 1973 i giganti della

i giganti della montagna con espansione online luigi pirandello - Nov 06 2022

web i giganti della montagna con espansione online è un libro di pirandello luigi pubblicato da edimedia firenze isbn 9788867581672

i giganti della montagna spotify - Dec 27 2021

web listen to i giganti della montagna on spotify artist 4 monthly listeners

i giganti della montagna con espansione online annotato - Jan 08 2023

web mar 16 2019 con espansione online annotato italian edition kindle edition by pirandello luigi download it once and read it on your kindle device pc phones or tablets use features like bookmarks note taking and highlighting while reading i

i giganti della montagna con espansione online annotato - May 12 2023

web i giganti della montagna con espansione online annotato miękka oprawa 19 marca 2019 wydanie włoski luigi pirandello autor liczba ocen 24 zobacz wszystkie formaty i wydania oprawa miękka 301 95 zł 1 nowe od 301 95 zł edizione integrale con introduzione biobibliografica e espansione online

i giganti della montagna con espansione online annotato - Oct 05 2022

web i giganti della montagna con espansione online annotato pirandello luigi isbn 9788867581672 kostenloser versand für alle bücher mit versand und verkauf duch amazon

i giganti della montagna con espansione online annotato - Dec 07 2022

web i giganti della montagna con espansione online annotato pirandello luigi amazon com au books

i giganti della montagna con espansione online annotato - Jul 02 2022

web i giganti della montagna con espansione online annotato pirandello luigi amazon es libros

i giganti raiplay - Mar 30 2022

web i giganti 2015 italia il racconto delle regioni italiane e delle loro eccellenze imprenditoriali storiche e culturali iniziando dai giganti verdi gli alberi monumentali d italia testimoni dei territori delle tradizioni e delle bellezze artistiche del bel paese