

Škoda

Factory Workshop Manual

As Used By Skoda Garages

EXEMPT LMSD



Fabia



Workshop Manual, Diagrams, Electrical Diagrams, EPC etc

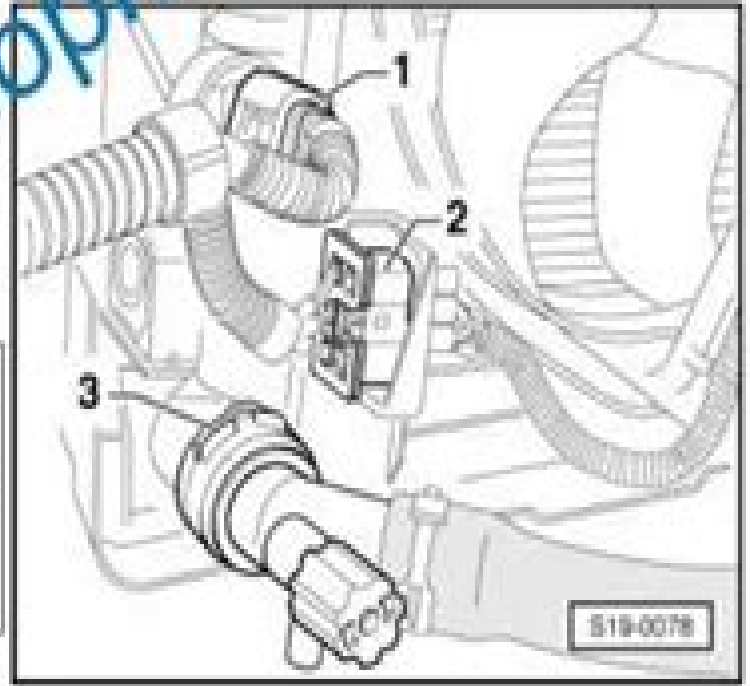


Search item: []

- Removing and installing parts
- Parts of cooling system
- Cooling system attached to engine
- Connection diagram for cooling system
- Draining and filling
- Removing and installing radiator
- Checking the coolant system
- Removing and installing
- 20 Fuel system, gas operation
- 24 Motor preparation system
- 24 Exhaust system
- Ignition system, glow plug timing gear

- proper disposal or reuse
- Drain coolant — Chapter
 - Pull off coolant hose at the top of the radiator.
 - Disconnect plug 1- from thermocouple to radiator fan -V7- (for vehicles with air conditioning)

WARNING
Do not open the refrigerant circuit of the air conditioning system.



- Unscrew screws of brackets for the refrigerant

Overview /

Document /

Skoda Fabia 2002 Workshop Manual

Skoda



Skoda Fabia 2002 Workshop Manual:

Skoda Fabia W To 06 A. K. Legg,2006 Hatchback Saloon Estate inc vRS and special limited editions Petrol 1 2 litre 1198cc 3 cyl 1 4 litre 1390cc 1397cc 4 cyl Does NOT cover 1 0 litre 997cc or 2 0 litre 1984cc petrol engines Diesel 1 4 litre 1422cc 3 cyl 1 9 litre 1896cc 4 cyl inc turbo Skoda Fabia Service and Repair Manual A. K. Legg,2014-06 No further information has been provided for this title **Skoda Fabia Petrol & Diesel Owners Workshop Manual** Pete Gill,2016

VW Polo Petrol & Diesel Service & Repair Manual R. M. Jex,2007 Hatchback including special limited editions Does NOT cover features specific to Dune models or facelifted Polo range introduced June 2005 Petrol 1 2 litre 1198cc 3 cyl 1 4 litre 1390cc non FSI 4 cyl Does NOT cover 1 4 litre FSI engines Diesel 1 4 litre 1422cc 3 cyl 1 9 litre 1896cc 4 cyl inc PD TDI turbo HM Skoda Fabia Petrol and Diesel 2007-2014 Pete Gill,2016 **Autocar** ,2005 *Motor Industry Management* ,2002-02 **Workshop Manual of Skoda** ,1988 *Skoda Felicia Owner's Workshop Manual* Mark Coombs,R. M. Jex,2014-01 This guide provides all that the Skoda Felicia owner needs to know to service and maintain their vehicle

Skoda Octavia A. K. Legg,2014-07 A maintenance and repair manual for the DIY mechanic **Workshop Manual for Skoda 100, 100L, 110L and 110LS, R Passenger Cars** ,1976 *Workshop Manual for Skoda 100, 100L, 110L, 110LS,R Passenger Cars* Skoda,1972 **Skoda Octavia Diesel Service & Repair Manual, 2004-2012** Chris Randall,2012 Covering both basic and advanced service and maintenance tasks for the Skoda Octavia this garage workbook covers models made between 2004 and 2012 **Workshop Manual of Skoda 105, 120, 130, 135, 136 and Rapid Passenger Cars** ,1985 Workshop Manual of Skoda 105S, 105L, 120L and 120LS Passenger Cars ,1976 **Skoda Felicia Service & Repair Manual** Mark Coombs,Robert Jex,1999 **Skoda Favorit Owners Workshop Manual** Andrew Hamlin,1993 Skoda Estelle Owners Workshop Manual Ian Coomber,1989 Skoda Estelle Owners Workshop Manual Ian M. Coomber,1985 **Workshop Manual for the Skoda 440, 445, 450 Felicia, Felicia Super Octavia, Octavia Super 1955-70** ,1970

Unveiling the Energy of Verbal Artistry: An Mental Sojourn through **Skoda Fabia 2002 Workshop Manual**

In a global inundated with screens and the cacophony of immediate connection, the profound power and psychological resonance of verbal artistry often fade in to obscurity, eclipsed by the continuous assault of noise and distractions. Yet, situated within the musical pages of **Skoda Fabia 2002 Workshop Manual**, a fascinating perform of fictional elegance that pulses with fresh emotions, lies an wonderful trip waiting to be embarked upon. Penned by a virtuoso wordsmith, that mesmerizing opus manuals readers on a mental odyssey, delicately exposing the latent potential and profound influence embedded within the complicated web of language. Within the heart-wrenching expanse of this evocative analysis, we shall embark upon an introspective exploration of the book is central styles, dissect their interesting publishing design, and immerse ourselves in the indelible impact it leaves upon the depths of readers souls.

http://www.frostbox.com/data/virtual-library/Download_PDFS/the%20last%20september.pdf

Table of Contents Skoda Fabia 2002 Workshop Manual

1. Understanding the eBook Skoda Fabia 2002 Workshop Manual
 - The Rise of Digital Reading Skoda Fabia 2002 Workshop Manual
 - Advantages of eBooks Over Traditional Books
2. Identifying Skoda Fabia 2002 Workshop Manual
 - Exploring Different Genres
 - Considering Fiction vs. Non-Fiction
 - Determining Your Reading Goals
3. Choosing the Right eBook Platform
 - Popular eBook Platforms
 - Features to Look for in an Skoda Fabia 2002 Workshop Manual
 - User-Friendly Interface
4. Exploring eBook Recommendations from Skoda Fabia 2002 Workshop Manual
 - Personalized Recommendations

- Skoda Fabia 2002 Workshop Manual User Reviews and Ratings
- Skoda Fabia 2002 Workshop Manual and Bestseller Lists
- 5. Accessing Skoda Fabia 2002 Workshop Manual Free and Paid eBooks
 - Skoda Fabia 2002 Workshop Manual Public Domain eBooks
 - Skoda Fabia 2002 Workshop Manual eBook Subscription Services
 - Skoda Fabia 2002 Workshop Manual Budget-Friendly Options
- 6. Navigating Skoda Fabia 2002 Workshop Manual eBook Formats
 - ePub, PDF, MOBI, and More
 - Skoda Fabia 2002 Workshop Manual Compatibility with Devices
 - Skoda Fabia 2002 Workshop Manual Enhanced eBook Features
- 7. Enhancing Your Reading Experience
 - Adjustable Fonts and Text Sizes of Skoda Fabia 2002 Workshop Manual
 - Highlighting and Note-Taking Skoda Fabia 2002 Workshop Manual
 - Interactive Elements Skoda Fabia 2002 Workshop Manual
- 8. Staying Engaged with Skoda Fabia 2002 Workshop Manual
 - Joining Online Reading Communities
 - Participating in Virtual Book Clubs
 - Following Authors and Publishers Skoda Fabia 2002 Workshop Manual
- 9. Balancing eBooks and Physical Books Skoda Fabia 2002 Workshop Manual
 - Benefits of a Digital Library
 - Creating a Diverse Reading Collection Skoda Fabia 2002 Workshop Manual
- 10. Overcoming Reading Challenges
 - Dealing with Digital Eye Strain
 - Minimizing Distractions
 - Managing Screen Time
- 11. Cultivating a Reading Routine Skoda Fabia 2002 Workshop Manual
 - Setting Reading Goals Skoda Fabia 2002 Workshop Manual
 - Carving Out Dedicated Reading Time
- 12. Sourcing Reliable Information of Skoda Fabia 2002 Workshop Manual
 - Fact-Checking eBook Content of Skoda Fabia 2002 Workshop Manual

- Distinguishing Credible Sources
- 13. Promoting Lifelong Learning
 - Utilizing eBooks for Skill Development
 - Exploring Educational eBooks
- 14. Embracing eBook Trends
 - Integration of Multimedia Elements
 - Interactive and Gamified eBooks

Skoda Fabia 2002 Workshop Manual Introduction

Free PDF Books and Manuals for Download: Unlocking Knowledge at Your Fingertips In today's fast-paced digital age, obtaining valuable knowledge has become easier than ever. Thanks to the internet, a vast array of books and manuals are now available for free download in PDF format. Whether you are a student, professional, or simply an avid reader, this treasure trove of downloadable resources offers a wealth of information, conveniently accessible anytime, anywhere. The advent of online libraries and platforms dedicated to sharing knowledge has revolutionized the way we consume information. No longer confined to physical libraries or bookstores, readers can now access an extensive collection of digital books and manuals with just a few clicks. These resources, available in PDF, Microsoft Word, and PowerPoint formats, cater to a wide range of interests, including literature, technology, science, history, and much more. One notable platform where you can explore and download free Skoda Fabia 2002 Workshop Manual PDF books and manuals is the internet's largest free library. Hosted online, this catalog compiles a vast assortment of documents, making it a veritable goldmine of knowledge. With its easy-to-use website interface and customizable PDF generator, this platform offers a user-friendly experience, allowing individuals to effortlessly navigate and access the information they seek. The availability of free PDF books and manuals on this platform demonstrates its commitment to democratizing education and empowering individuals with the tools needed to succeed in their chosen fields. It allows anyone, regardless of their background or financial limitations, to expand their horizons and gain insights from experts in various disciplines. One of the most significant advantages of downloading PDF books and manuals lies in their portability. Unlike physical copies, digital books can be stored and carried on a single device, such as a tablet or smartphone, saving valuable space and weight. This convenience makes it possible for readers to have their entire library at their fingertips, whether they are commuting, traveling, or simply enjoying a lazy afternoon at home. Additionally, digital files are easily searchable, enabling readers to locate specific information within seconds. With a few keystrokes, users can search for keywords, topics, or phrases, making research and finding relevant information a breeze. This efficiency saves time and effort, streamlining the learning process and allowing individuals to focus on extracting the

information they need. Furthermore, the availability of free PDF books and manuals fosters a culture of continuous learning. By removing financial barriers, more people can access educational resources and pursue lifelong learning, contributing to personal growth and professional development. This democratization of knowledge promotes intellectual curiosity and empowers individuals to become lifelong learners, promoting progress and innovation in various fields. It is worth noting that while accessing free Skoda Fabia 2002 Workshop Manual PDF books and manuals is convenient and cost-effective, it is vital to respect copyright laws and intellectual property rights. Platforms offering free downloads often operate within legal boundaries, ensuring that the materials they provide are either in the public domain or authorized for distribution. By adhering to copyright laws, users can enjoy the benefits of free access to knowledge while supporting the authors and publishers who make these resources available. In conclusion, the availability of Skoda Fabia 2002 Workshop Manual free PDF books and manuals for download has revolutionized the way we access and consume knowledge. With just a few clicks, individuals can explore a vast collection of resources across different disciplines, all free of charge. This accessibility empowers individuals to become lifelong learners, contributing to personal growth, professional development, and the advancement of society as a whole. So why not unlock a world of knowledge today? Start exploring the vast sea of free PDF books and manuals waiting to be discovered right at your fingertips.

FAQs About Skoda Fabia 2002 Workshop Manual Books

How do I know which eBook platform is the best for me? Finding the best eBook platform depends on your reading preferences and device compatibility. Research different platforms, read user reviews, and explore their features before making a choice. Are free eBooks of good quality? Yes, many reputable platforms offer high-quality free eBooks, including classics and public domain works. However, make sure to verify the source to ensure the eBook credibility. Can I read eBooks without an eReader? Absolutely! Most eBook platforms offer web-based readers or mobile apps that allow you to read eBooks on your computer, tablet, or smartphone. How do I avoid digital eye strain while reading eBooks? To prevent digital eye strain, take regular breaks, adjust the font size and background color, and ensure proper lighting while reading eBooks. What the advantage of interactive eBooks? Interactive eBooks incorporate multimedia elements, quizzes, and activities, enhancing the reader engagement and providing a more immersive learning experience. Skoda Fabia 2002 Workshop Manual is one of the best book in our library for free trial. We provide copy of Skoda Fabia 2002 Workshop Manual in digital format, so the resources that you find are reliable. There are also many Ebooks of related with Skoda Fabia 2002 Workshop Manual. Where to download Skoda Fabia 2002 Workshop Manual online for free? Are you looking for Skoda Fabia 2002 Workshop Manual PDF? This is definitely going to save you time and cash in something you should think about.

Find Skoda Fabia 2002 Workshop Manual :

[the last september](#)

[the journal of inductive biblical studies 2014 vol 1 volume 1](#)

[the man book booze boobs and baseball a kickass guide](#)

[the jewish revolt ad](#)

the lost art of keeping secrets english edition

[the killing club](#)

the manual operations lorain lcd150

[the macarthur quick reference guide to the bible student edition](#)

[the mardi gras murder a maryvale cozy mystery book 4](#)

[the kill room lincoln rhyme book 10](#)

[the lady justice trilogy english edition](#)

the many singings

[the kings sister](#)

[the little drop of rain](#)

[the legislative branch mark twain media](#)

Skoda Fabia 2002 Workshop Manual :

the green man tv mini series 1990 imdb - Jan 08 2023

web the green man photos top cast more like this storyline maurice allington albert finney the alcoholic sexually promiscuous and unappealing lead character owns a did you know in maurice s albert finney s bathroom are a small stack of books the top one is the old devils by 14

the green man tv serial wikipedia - Jan 28 2022

web the green man is a three part bbc tv adaptation of kingsley amis s 1969 novel novel of the same name first broadcast on bbc1 from 28 october to 11 november 1990 and starring albert finney as the main character maurice plot maurice allington is the owner of the green man a country inn that he claims is haunted by ghosts

the green man film wikipedia - Nov 06 2022

web plot harry hawkins is a freelance assassin who is contracted to blow up sir gregory upshott a prominent and pompous london businessman by courting upshott s spinster secretary marigold he learns that his target will be taking one of the firm

s typists for a weekend at a seaside hotel called the green man

bbc s the green man dvd albert finney youtube - Aug 03 2022

web aug 10 2015 *bbc s the green man dvd albert finney simply media* 2 63k subscribers subscribe share 5 6k views 8 years

ago own on dvd now simplyhe com products the albert finney plays maurice

the remarkable persistence of the green man the new yorker - Feb 26 2022

web mar 7 2016 *the remarkable persistence of the green man by jo livingstone* march 7 2016 st stephen s church in the welsh town of old radnor bears a carving of the green man a ubiquitous medieval motif

raymond robinson green man wikipedia - Jun 13 2023

web raymond theodore robinson october 29 1910 june 11 1985 was a disfigured american man whose years of nighttime walks made him into a figure of urban legend in western pennsylvania

when is a myth not a myth the origins of the green man - May 12 2023

web jun 11 2019 *it comes from lady raglan s article the green man in church architecture in the 1939 edition of folklore making this timeless figure out of pagan memory exactly eighty years old this year*

the surprising roots of the mysterious green man bbc culture - Jul 14 2023

web jan 4 2019 *sometimes beautiful often sinister this mysterious figure so common in medieval sculpture is known as the green man in his heyday the green man could be found glaring in churches*

the mythical creatures of europe the green man euronews - Jun 01 2022

web oct 24 2022 *today is the turn of england and it s legendary being the green man origin of the green man wander around anywhere in the countryside of the uk for long enough and you might spot it*

green man official movie youtube - Mar 30 2022

web feb 27 2021 *subscribe 382 views 2 years ago the hit film premiering at sundance and winning 27 academy awards is now available for streaming on demand on certain platforms notice green man will not be*

yeşil adam the green man ile tanışma hikayem ogün Özkan - Dec 07 2022

web may 18 2023 *bugün ki yazımda pagan bir figür olup semavi dinlere de geçmiş olan the green man ya da dilimize çevrilmiş hali ile yeşil adam karakterini ele alacağım yeşil adam aslında yalnız ortadoğu ve avrupa da değil hindistan dan anadolu ya avrupa dan amerika ya pek çok yerde kendisini göstermiş bir*

unraveling the nature and identity of the green man - Jul 02 2022

web jan 29 2015 *print an enigma spanning thousands of years the green man is a symbol of mysterious origin and history permeating various religious faiths and cultures the green man has survived countless transformations and cultural diversities enduring in the same relative physical form to this day*

the green man rotten tomatoes - Apr 30 2022

web after disposing of a dictator and millionaire hawkins is assigned to kill a politician who is heading to a remote hotel the green man for a secret tryst with his secretary there however

what was the green man folklife today library of congress - Apr 11 2023

web feb 17 2021 this is our second post about the green man a figure from traditional folk culture it traces the meaning of the phrase green man from the 16th to the 20th centuries providing a wealth of historical references to green men which were wild men covered in leaves often armed with clubs

the mystery of the green man a guide symbol sage - Mar 10 2023

web jun 4 2022 however to give you some idea as to how widespread the green man is here are some examples there are sculptures of the green man in st hilaire le grand in northern france dating back to 400 ad there are also green man figures in lebanon and iraq from the second century ad including in the

the green man historic uk - Feb 09 2023

web culture uk the green man by ellen castelow glance upwards as you approach or enter many of britain s great cathedrals and churches and it is more than likely you will catch sight of the green man gazing looking down at you but who is this strange green figure surrounded by foliage often with leaves spilling forth from his mouth

green man wikipedia - Aug 15 2023

web the green man also known as a foliate head 1 is a motif in architecture and art of a face made of or completely surrounded by foliage which normally spreads out from the centre of the face 2

the green man unearth the history of the mysterious entity - Dec 27 2021

web apr 5 2021 kingsley amis 1969 novel the green man not only features an inn of that name but also eventually a manifestation of the green man himself in the form of a murderous pagan monster of sticks and branches australian author terry dowing s haunting short story the bullet that grows in the gun also features a sinister ghostly

the green man an ancient celtic symbol of rebirth - Sep 04 2022

web apr 11 2019 the green man is mainly associated with the symbol of rebirth representing the cycle of growth each spring some say he some speculate that the mythology of the green man developed independently in the traditions of separate ancient the celtic tradition was highly revolved around the

the green man 1956 imdb - Oct 05 2022

web the green man directed by robert day basil dearden with alastair sim george cole terry thomas jill adams an assassin is annoyed by a vacuum cleaner salesman determined to stop him

books kinokuniya new cutting edge intermediate students - Feb 03 2022

web download pdf new cutting edge elementary teacher s book cunningham sarah moor peter d47eo90z67n2

new cutting edge elementary students book by sarah - Jun 19 2023

web sarah cunningham peter moor frances eales longman 2005 juvenile nonfiction 112 pages new cutting edge elementary workbook consolidates and extends the

new cutting edge elementary students book by - Dec 13 2022

web new cutting edge elementary teacher s resource book frances eales sarah cunningham peter moor no preview available 2007

sarah cunningham author of new cutting edge pre - Mar 16 2023

web new cutting edge elementary sarah cunningham peter moor frances eales google books with a task based learning approach the main objective is for students to

new cutting edge elementary students book - Apr 17 2023

web sarah cunningham has worked in elt for over twenty five years originally as a teacher teacher trainer and director of studies she has worked in greece spain hungary

download new cutting edge elementary teacher s book - Jul 08 2022

web apr 19 2007 read reviews from the world s largest community for readers new cutting edge digital is software for any interactive whiteboard system using the same tri

new cutting edge elementary teacher s book cunningham - Aug 09 2022

web new cutting edge elementary teacher sarah cunningham cutting edge 3e pearson english language teaching elt may 6th 2018 cutting edge is a communicative

download new cutting edge elementary teacher s book - Dec 01 2021

new cutting edge elementary teacher s book - Oct 23 2023

web new cutting edge elementary teacher s book cunningham sarah moor peter free ebook download as pdf file pdf or read book online for free scribd is the world s

new cutting edge elementary teacher s resource book - Aug 21 2023

web teacher s resource book frances eales sarah cunningham peter moor longman 2006 english language 184 pages make your lessons varied and interesting using the

new cutting edge elementary sarah cunningham peter moor - May 18 2023

web sarah cunningham new cutting edge elementary students book paperback 25 april 2005 by sarah cunningham author peter moor author 4 7 30 ratings see all

new cutting edge elementary student s book sarah - Nov 12 2022

web cutting edge 3rd edition english language teaching cutting edge 3rd edition sarah cunningham peter moor levels 6 levels teacher s resource book cd rom

new cutting edge intermediate student s book paperback - Mar 04 2022

web cutting edge elementary student book sarah cunningham 0 00 0 ratings 0 reviews want to read buy on amazon rate this book 160 pages paperback first published

cutting edge series by sarah cunningham goodreads - Jul 20 2023

web book a1 cutting edge starter teacher s resource book by chris redston 4 00 2 ratings 3 editions the comprehensive teacher s book offers step by st want to read rate

cutting edge elementary student book by sarah cunningham - Jan 02 2022

new cutting edge digital elementary by sarah cunningham - May 06 2022

web buy new cutting edge intermediate student s book 2nd by cunningham sarah moor peter isbn 9780582825178 from amazon s book store everyday low prices and free

new cutting edge elementary students book cunningham - Sep 22 2023

web new cutting edge elementary students book cunningham sarah moor peter amazon sg books

new cutting edge elementary sarah cunningham frances - Oct 11 2022

web overview download view new cutting edge elementary teacher s book cunningham sarah moor peter as pdf for free more details pages 185 preview full

new cutting edge intermediate student s book goodreads - Apr 05 2022

web new cutting edge intermediate students book with mini dictionary and interactive cd rom by sarah cunningham peter moor 0 with a task based learning approach the main

new cutting edge elementary teacher sarah cunningham - Jun 07 2022

web jan 1 1998 cutting edge b1 new cutting edge intermediate student s book sarah cunningham peter moor 3 43 21 ratings 0 reviews new reading and listening texts bring

new cutting edge elementary sarah cunningham peter moor - Feb 15 2023

web buy cutting edge 3rd edition elementary students book and dvd pack 3 by cunningham sarah moor peter crace araminta isbn 9781447936831 from

cutting edge 3rd edition elementary students book and - Jan 14 2023

web new cutting edge elementary student s book sarah cunningham peter moor longman 2005 1 74 c audio 3 cd description

teachers around the world trust

[cutting edge 3rd edition english language teaching pearson](#) - Sep 10 2022

web download new cutting edge elementary teacher s book cunningham sarah moor peter type pdf date july 2019 size 5 4mb
author edit ocare this

les oiseaux gallimard jeunesse - Aug 09 2022

web les oiseaux des sons à écouter des images à regarder le chant des oiseaux accessible du bout des doigts une immersion sonore pour découvrir le chant du coucou de la mésange de la pie du rossignol et du merle les sons choisis et mixés avec soin enrichissent chaque scène pour la rendre encore plus vivante

chants et cris des oiseaux de france écoutez 311 espèces - Aug 21 2023

web chants et cris des oiseaux de france écoutez 311 espèces chant oiseaux fr chevêche d athéna rouge gorge familier chouette hulotte pinson des arbres merle noir grive musicienne mésange charbonnière grand duc d europe hibou moyen duc mésange bleue pic vert petit duc scops effraie des clochers pic noir a z alaudidés 6

chants d oiseaux de france 28 chants youtube - Jul 20 2023

web may 13 2017 28 oiseaux de france filmés en train de chanter classés par ordre alphabétique accenteur mouchet bergeronnette grise bergeronnette des ruisseaux bergeronnette printanière

comment bien nourrir les oiseaux en hiver france bleu - Dec 01 2021

web nov 20 2023 l hiver est à nos portes nous entrons dans la période de nourrissage des oiseaux est ce utile et comment bien faire olivier cattiaux est parti à la rencontre d un professionnel de la lpo

montélimar un lieu neutre pour examiner écouter et protéger les - Jul 28 2021

web 1 day ago un lieu neutre pour examiner écouter et protéger les mineurs violentés l unité d accueil pédiatrique enfants en danger uaped située sur le site du val de beausseret du groupement

chants d oiseaux de france 30 chants youtube - Oct 23 2023

web 30 oiseaux de france filmés en train de chanter filmé avec panasonic lumix dc g9 camera amzn to 43sn9ut avec 100 400 leica dg vario elmar camera lens amzn to 45nkl3k more

les oiseaux que l on entend au mois d avril apprendre les youtube - Jul 08 2022

web apr 9 2021 introduction les oiseaux que l on entend au mois d avril apprendre les chants d oiseaux studio les trois becs 25 7k subscribers subscribe 9 1k 360k views 2 years ago c est la

chant des oiseaux relaxant youtube - Mar 04 2022

web may 26 2016 bonjour chant des oiseaux relaxantbruit de la nature chant des oiseaux de la forêt chant des oiseaux this video is useful for people helps you sleep trea

[bruits et chants oiseaux universal soundbank com](#) - Jan 02 2022

web téléchargez et écoutez des chants et sons d oiseaux enregistrés et disponibles sur les banques de sons gratuites en ligne d universal soundbank pour tous les musiciens cinéastes studios d enregistrements djs réalisateurs soundesigners et tous ceux recherchant des sons de qualité professionnelle universal soundbank

apprendre à reconnaître les oiseaux et leur chant birdie memory - Sep 10 2022

web un jeu pédagogique un parcours ludique permet de mémoriser les principaux chants en seulement quelques minutes un outil de sensibilisation petits et grands prêteront désormais l oreille lors des balade dans la nature ou en ville les oiseaux birdie memory sont disponibles en différents formats poster livre cartes postales exposition

[chants d oiseaux de france partie 1 youtube](#) - Jun 19 2023

web chants d oiseaux de france partie 1 oetincelleo 3 08k subscribers subscribe 5 4k share save 2 3m views 15 years ago diaporama d oiseaux et leurs chants show more

oiseaux toute l actualité et les podcasts à écouter - Apr 05 2022

web toute l actualité oiseaux sur radio france podcasts à écouter gratuitement en ligne et depuis l application avec les dernières actualités et débats

[pourquoi et comment tous les animaux prennent soin de leurs](#) - Sep 29 2021

web nov 21 2023 découvrons comment les animaux tous les animaux des invertébrés aux mammifères en passant par les oiseaux les poissons les amphibiens et les reptiles prennent soin de leurs petits

oiseau sons gratuits lasonothèque - Jun 07 2022

web 118 résultats pour oiseau du plus au moins téléchargé page 1 sur 3 catégorie s proposée s ambiance foret ambforst autres essayez oiseau diurne oiseau nocturne oisillon forêt chant d oiseaux route au loin mouche catégorie ucs ambforst durée 00 54 d infos téléchargements vagues et sternes

[chant des oiseaux 2 heures se détendre et dormir youtube](#) - Dec 13 2022

web oct 20 2014 chant des oiseaux musique zen de la nature pour se détendre méditer dormir et étudier nature harmonie relax et bien etre

oiseaux du québec chants et cris 1 youtube - May 18 2023

web mar 24 2017 oiseaux du québec chants et cris 1 annie g oiseaux et nature 11 7k subscribers subscribed l i k e share 448k views 6 years ago regardez aussi 73 chants et cris d oiseaux du

apprendre les chants d oiseaux youtube - Apr 17 2023

web apprendre les chants d oiseaux studio les trois becs 48 videos 1 232 754 views last updated on jun 15 2023 le son de la semaine est une petite encyclopédie sonore des chants d oiseaux qui s

[les majestueux vols en v des oiseaux migrateurs france bleu](#) - Aug 29 2021

web nov 21 2023 [écoutons les chants des oiseaux en compagnie de la ligue pour la protection des oiseaux en moselle](#) 55 min
À lire aussi le 22 11 2022

[comment les oiseaux marins affrontent ils les tempêtes](#) - Oct 31 2021

web nov 11 2023 il en est ressorti vivant contrairement à une idée reçue ce n est pas le vent violent qui tue les oiseaux en plein océan mais la faim comme la montré en 2021 une étude du cnrs sur les

reconnaissance des chants d oiseaux inventaire national du - Jun 26 2021

web programmes jeux inpn jeu des chants d oiseaux apprendre à reconnaître les chants d oiseaux série en cours d écoute les
À missions vocales simples composées de deux types de sons 2 testez vos connaissances sur cette série changer de série
sélectionnez un chant d oiseau à écouter chant mésange charbonnière parus major

[70 chants d oiseaux du jardin bird songs from the garden](#) - Feb 15 2023

web Écoute 70 chants d oiseaux du jardin bird songs from the garden par fernand deroussen sur deezer accenteur mouchet
alouette des champs bergeronnette grise

[animaux découvrir le livre 50 idées fausses sur les oiseaux](#) - May 06 2022

web nov 20 2023 est ce que les oiseaux sont sales À travers 50 fiches couvrant tous les aspects de l évolution de la biologie
et de l écologie fédéric archaud dresse l état des connaissances les plus récentes sur les oiseaux et leurs singularités dans
ce livre l auteur se sert des idées reçues sur les oiseaux pour nous permettre d

écoute les oiseaux édition 2023 Éditions albin michel - Oct 11 2022

web 1 livre 1 application une expérience immersive dans le monde fascinant des oiseaux découvrez 20 oiseaux de ton
quotidien anime les pour les faire chanter et entraîne toi à les reconnaître date de parution 03 avril 2023 Édition cartonnée
19 90 acheter le livre

écouter les oiseaux dictionnaire des animaux diconimoz - Jan 14 2023

web écouter les oiseaux listen birds apprenez à identifier les oiseaux grâce à leurs chants en cliquant sur les vignettes
correspondantes accenteur mouchet écoutez bergeronnette grise écoutez buse variable écoutez butor étoilé écoutez canard
mandarin écoutez cigogne blanche écoutez cygne tuberculé écoutez etourneau

[reconnaissance des chants d oiseaux inpn mnhn fr](#) - Nov 12 2022

web jeux inpn jeu des chants d oiseaux apprendre à reconnaître les chants d oiseaux série en cours d écoute les chants des
milieux forestiers 1 testez vos connaissances sur cette série changer de série sélectionnez un chant d oiseau à écouter chant
roitelet huppé regulus regulus votre navigateur ne supporte pas l élément lecteur audio

bruits de la nature chants des oiseaux musique relaxante - Feb 03 2022

web may 12 2015 relaxation zen avec bruits de la nature chants des oiseaux et bruit de l'eau musique relaxante de la nature belle nature avec lac et forêt apaiser se détendre se calmer l'étude et le

oiseaux sons gratuits lasonotheque - May 26 2021

web oiseaux sons gratuits lasonotheque 118 résultats pour oiseaux du plus au moins téléchargé page 1 sur 3 catégorie s proposée s ambiance foret ambforst autres essayez oiseau diurne oiseau nocturne oisillon forêt chant d'oiseaux route au loin mouche catégorie ucs ambforst durée 00 54 d'infos téléchargements

10 chants d'oiseaux du jardin en vidéo pour les youtube - Sep 22 2023

web mar 18 2022 au printemps c'est un bonheur d'entendre les oiseaux chanter mais il peut être difficile de bien les reconnaître alors voici 10 chants d'oiseaux communs d

écoutez les oiseaux chanter c'est dans ta nature rfi - Mar 16 2023

web may 8 2021 stanislas wroza écoute les oiseaux enregistre leurs chants et leurs cris les répertorie et comme des centaines de bénévoles participe à enrichir l'Inpn l'inventaire national du