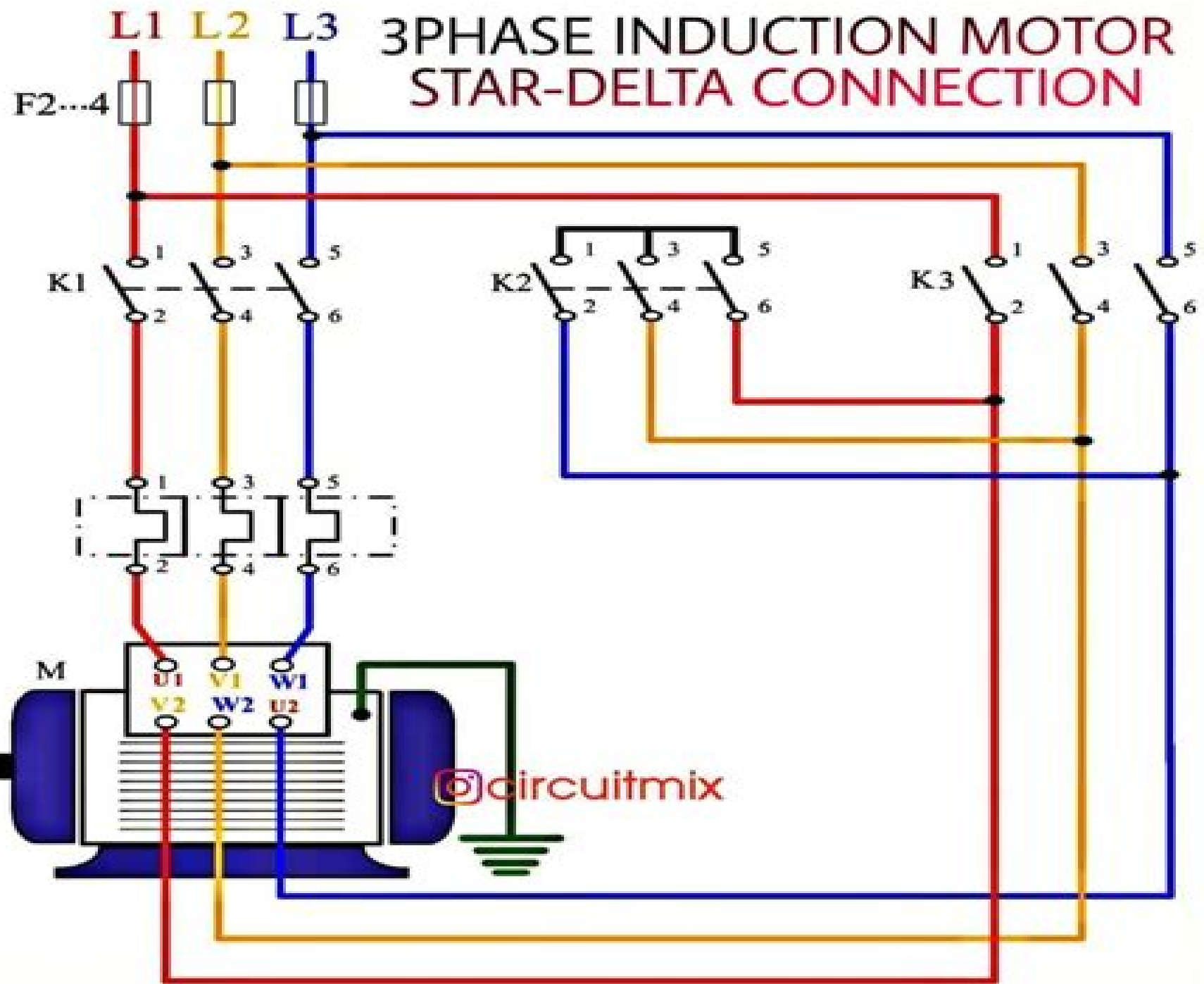


3PHASE INDUCTION MOTOR STAR-DELTA CONNECTION



Star Delta Wiring

Dr S K Bhattacharya



Star Delta Wiring:

Star Delta Wiring Book Review: Unveiling the Power of Words

In a global driven by information and connectivity, the energy of words has be much more evident than ever. They have the capability to inspire, provoke, and ignite change. Such could be the essence of the book **Star Delta Wiring**, a literary masterpiece that delves deep in to the significance of words and their impact on our lives. Compiled by a renowned author, this captivating work takes readers on a transformative journey, unraveling the secrets and potential behind every word. In this review, we will explore the book is key themes, examine its writing style, and analyze its overall affect readers.

http://www.frostbox.com/results/browse/default.aspx/sony_ccd_tr420e_manual.pdf

Table of Contents Star Delta Wiring

1. Understanding the eBook Star Delta Wiring
 - The Rise of Digital Reading Star Delta Wiring
 - Advantages of eBooks Over Traditional Books
2. Identifying Star Delta Wiring
 - Exploring Different Genres
 - Considering Fiction vs. Non-Fiction
 - Determining Your Reading Goals
3. Choosing the Right eBook Platform
 - Popular eBook Platforms
 - Features to Look for in an Star Delta Wiring
 - User-Friendly Interface
4. Exploring eBook Recommendations from Star Delta Wiring
 - Personalized Recommendations
 - Star Delta Wiring User Reviews and Ratings
 - Star Delta Wiring and Bestseller Lists
5. Accessing Star Delta Wiring Free and Paid eBooks

- Star Delta Wiring Public Domain eBooks
 - Star Delta Wiring eBook Subscription Services
 - Star Delta Wiring Budget-Friendly Options
6. Navigating Star Delta Wiring eBook Formats
- ePub, PDF, MOBI, and More
 - Star Delta Wiring Compatibility with Devices
 - Star Delta Wiring Enhanced eBook Features
7. Enhancing Your Reading Experience
- Adjustable Fonts and Text Sizes of Star Delta Wiring
 - Highlighting and Note-Taking Star Delta Wiring
 - Interactive Elements Star Delta Wiring
8. Staying Engaged with Star Delta Wiring
- Joining Online Reading Communities
 - Participating in Virtual Book Clubs
 - Following Authors and Publishers Star Delta Wiring
9. Balancing eBooks and Physical Books Star Delta Wiring
- Benefits of a Digital Library
 - Creating a Diverse Reading Collection Star Delta Wiring
10. Overcoming Reading Challenges
- Dealing with Digital Eye Strain
 - Minimizing Distractions
 - Managing Screen Time
11. Cultivating a Reading Routine Star Delta Wiring
- Setting Reading Goals Star Delta Wiring
 - Carving Out Dedicated Reading Time
12. Sourcing Reliable Information of Star Delta Wiring
- Fact-Checking eBook Content of Star Delta Wiring
 - Distinguishing Credible Sources
13. Promoting Lifelong Learning
- Utilizing eBooks for Skill Development

- Exploring Educational eBooks
14. Embracing eBook Trends
- Integration of Multimedia Elements
 - Interactive and Gamified eBooks

Star Delta Wiring Introduction

In today's digital age, the availability of Star Delta Wiring books and manuals for download has revolutionized the way we access information. Gone are the days of physically flipping through pages and carrying heavy textbooks or manuals. With just a few clicks, we can now access a wealth of knowledge from the comfort of our own homes or on the go. This article will explore the advantages of Star Delta Wiring books and manuals for download, along with some popular platforms that offer these resources. One of the significant advantages of Star Delta Wiring books and manuals for download is the cost-saving aspect. Traditional books and manuals can be costly, especially if you need to purchase several of them for educational or professional purposes. By accessing Star Delta Wiring versions, you eliminate the need to spend money on physical copies. This not only saves you money but also reduces the environmental impact associated with book production and transportation. Furthermore, Star Delta Wiring books and manuals for download are incredibly convenient. With just a computer or smartphone and an internet connection, you can access a vast library of resources on any subject imaginable. Whether you're a student looking for textbooks, a professional seeking industry-specific manuals, or someone interested in self-improvement, these digital resources provide an efficient and accessible means of acquiring knowledge. Moreover, PDF books and manuals offer a range of benefits compared to other digital formats. PDF files are designed to retain their formatting regardless of the device used to open them. This ensures that the content appears exactly as intended by the author, with no loss of formatting or missing graphics. Additionally, PDF files can be easily annotated, bookmarked, and searched for specific terms, making them highly practical for studying or referencing. When it comes to accessing Star Delta Wiring books and manuals, several platforms offer an extensive collection of resources. One such platform is Project Gutenberg, a nonprofit organization that provides over 60,000 free eBooks. These books are primarily in the public domain, meaning they can be freely distributed and downloaded. Project Gutenberg offers a wide range of classic literature, making it an excellent resource for literature enthusiasts. Another popular platform for Star Delta Wiring books and manuals is Open Library. Open Library is an initiative of the Internet Archive, a non-profit organization dedicated to digitizing cultural artifacts and making them accessible to the public. Open Library hosts millions of books, including both public domain works and contemporary titles. It also allows users to borrow digital copies of certain books for a limited period, similar to a library lending system. Additionally, many universities and educational institutions have their own digital libraries that provide free

access to PDF books and manuals. These libraries often offer academic texts, research papers, and technical manuals, making them invaluable resources for students and researchers. Some notable examples include MIT OpenCourseWare, which offers free access to course materials from the Massachusetts Institute of Technology, and the Digital Public Library of America, which provides a vast collection of digitized books and historical documents. In conclusion, Star Delta Wiring books and manuals for download have transformed the way we access information. They provide a cost-effective and convenient means of acquiring knowledge, offering the ability to access a vast library of resources at our fingertips. With platforms like Project Gutenberg, Open Library, and various digital libraries offered by educational institutions, we have access to an ever-expanding collection of books and manuals. Whether for educational, professional, or personal purposes, these digital resources serve as valuable tools for continuous learning and self-improvement. So why not take advantage of the vast world of Star Delta Wiring books and manuals for download and embark on your journey of knowledge?

FAQs About Star Delta Wiring Books

What is a Star Delta Wiring PDF? A PDF (Portable Document Format) is a file format developed by Adobe that preserves the layout and formatting of a document, regardless of the software, hardware, or operating system used to view or print it.

How do I create a Star Delta Wiring PDF? There are several ways to create a PDF: Use software like Adobe Acrobat, Microsoft Word, or Google Docs, which often have built-in PDF creation tools. Print to PDF: Many applications and operating systems have a "Print to PDF" option that allows you to save a document as a PDF file instead of printing it on paper. Online converters: There are various online tools that can convert different file types to PDF.

How do I edit a Star Delta Wiring PDF? Editing a PDF can be done with software like Adobe Acrobat, which allows direct editing of text, images, and other elements within the PDF. Some free tools, like PDFescape or Smallpdf, also offer basic editing capabilities.

How do I convert a Star Delta Wiring PDF to another file format? There are multiple ways to convert a PDF to another format: Use online converters like Smallpdf, Zamzar, or Adobe Acrobat's export feature to convert PDFs to formats like Word, Excel, JPEG, etc. Software like Adobe Acrobat, Microsoft Word, or other PDF editors may have options to export or save PDFs in different formats. **How do I password-protect a Star Delta Wiring PDF?** Most PDF editing software allows you to add password protection. In Adobe Acrobat, for instance, you can go to "File" -> "Properties" -> "Security" to set a password to restrict access or editing capabilities. Are there any free alternatives to Adobe Acrobat for working with PDFs? Yes, there are many free alternatives for working with PDFs, such as: LibreOffice: Offers PDF editing features. PDFsam: Allows splitting, merging, and editing PDFs. Foxit Reader: Provides basic PDF viewing and editing capabilities. How do I compress a PDF file? You can use online tools like Smallpdf, ILovePDF, or desktop software like Adobe Acrobat to compress PDF files without

significant quality loss. Compression reduces the file size, making it easier to share and download. Can I fill out forms in a PDF file? Yes, most PDF viewers/editors like Adobe Acrobat, Preview (on Mac), or various online tools allow you to fill out forms in PDF files by selecting text fields and entering information. Are there any restrictions when working with PDFs? Some PDFs might have restrictions set by their creator, such as password protection, editing restrictions, or print restrictions. Breaking these restrictions might require specific software or tools, which may or may not be legal depending on the circumstances and local laws.

Find Star Delta Wiring :

[sony ccd tr420e manual](#)

[sony dsc p200 manual](#)

[*sony ericsson w205 owners manual*](#)

[sony kdf 46e3000 kdf 50e3000 tv service manual](#)

[*sony ericsson g900 user guide file*](#)

[sony ericsson repairguide](#)

sony dsr 370 dsr 370p dsr 390 dsr 390p service manual

[sony drive s mpwma manual](#)

[sony ericsson xperia x10 service manual](#)

[sony icf cs10ip clock radios owners manual](#)

[sony handycam hdr xr200 manual](#)

sony dslr a300 user manual

[sony hx300 manual focus](#)

sony handycam manual dcr sx85

sony hd15 user manual

Star Delta Wiring :

three phase inverter methods of voltage control of inverters - Jan 28 2022

web the three phase inverter uses pwm for voltage control and hence is called a pwm inverter or constant voltage inverter fig 3 93 in three phase inverter the voltage is maintained constant at a controlled value irrespective of the load events the capacitance across the inverter maintains the constant voltage previous post

design and implementation of three phase pwm inverter - Jul 14 2023

web three phase inverter circuit consists of six switches connected in three legs converts input dc link voltage in to corresponding three phase ac voltage microcontroller and driver circuit is used to control on off time of switching devices in a proper sequence in a particular time used in the main inverter circuit

three phase sine wave inverter using pic microcontroller - Mar 10 2023

web three phase sine wave inverter is used to convert dc power supply or dc power source or dc voltage from battery into three phase ac supply there are many applications where three phase supply is required for example three phase induction motor or three phase induction motor speed control

pdf sinusoidal pwm signal generation technique for three phase - Jun 01 2022

web jan 1 2013 sinusoidal pwm signal generation technique for three phase voltage source inverter with analog circuit simulation of pwm inverter for standalone load micro grid system

three phase 50hz inverter microcontroller sam arabtravelers - Feb 26 2022

web 4 three phase 50hz inverter microcontroller 2021 06 22 developments in solar energy systems thermal and photovoltaic wind energy hydropower geothermal energy bioenergy production and hydrogen production with the addition of fuel cell technology for this new release technology advancements include resources assessment and

three phase 50hz inverter microcontroller sam arabtravelers com - Dec 27 2021

web 2 three phase 50hz inverter microcontroller 2023 02 18 double star induction machines oriented approach of recent developments relating to the control of the permanent magnet synchronous motors and special controller design and torque control of

three phase 50hz inverter microcontroller - Aug 15 2023

web three phase 50hz inverter microcontroller control in power electronics and electrical drives nov 30 2021 contains 97 papers which provide a valuable overview of the latest technical innovations in this rapidly expanding field areas of development which receive particular attention include the emergence of power switching transistors the

three phase 50hz inverter microcontroller online kptm edu my - Oct 05 2022

web sep 2 2023 three phase 50hz inverter microcontroller tweaking your power inverter get more bang for the buck notes on the troubleshooting and repair of television sets laser mould welding welder machine 200w amazon com electronic circuits diagrams free design projects symcom motorsaver 3 phase voltage monitor model 201a au

three phase inverter an overview sciencedirect topics - Apr 30 2022

web three phase inverter the three phase inverter with filter inductor converts a dc input voltage into an ac sinusoidal voltage by means of appropriate switch signals to make the output current in phase with the grid voltage to obtain a unity

power factor 7 from renewable and sustainable energy reviews 2015 related terms photovoltaics

simulation and implementation of microcontroller based gate - Jul 02 2022

web aug 1 2017 pdf on aug 1 2017 tapan kumar chakraborty and others published simulation and implementation of microcontroller based gate drive circuit for three phase mosfet inverter find read and cite

26 30 november 2014 three phase inverter using microcontroller for - Sep 04 2022

web the three phase inverter is implemented by using a power mosfet and the pwm signal is generated by a microcontroller the inverter performance is measured by simulation and experimental test inverter circuit is simulated using pspice software to investigate the inverter behavior and performance

three phase sine wave inverter using arduino microcontrollers lab - Jun 13 2023

web three phase sine wave inverter is designed using arduino microcontroller arduino is used to generate spwm signals to drive gate driver circuits as shown in figure below these spwm signal are 120 degree out of phase with each other

three phase 50hz inverter microcontroller tvl parisbytrain com - Nov 06 2022

web three phase 50hz inverter microcontroller june 23rd 2018 this project is a solution to power up most of devices or projects requiring dual adjustable power supply the circuit is based on lm317 positive and lm337 negative voltage regulators tweaking your power inverter get more bang for the buck

three phase 50hz inverter microcontroller sam arabtravelers - Mar 30 2022

web three phase 50hz inverter microcontroller downloaded from sam arabtravelers com by guest obrien lisa power electronics and motor drive systems academic press this textbook is intended for engineering students taking courses in power electronics renewable energy sources smart grids or static power converters

three phase 50hz inverter microcontroller - Feb 09 2023

web three phase 50hz inverter microcontroller june 23rd 2018 12v to 230v inverter circuit schematic using pulse width modulator ic sg3525 circuit zone com electronic projects electronic

three phase 50hz inverter microcontroller pdf copy - Aug 03 2022

web three phase 50hz inverter microcontroller pdf three phase 50hz inverter microcontroller pdf book review unveiling the magic of language in an electronic digital era where connections and knowledge reign supreme the enchanting power of language has be more apparent than ever its ability to stir emotions provoke thought and

6 best simple inverter circuit diagrams diy electronics projects - May 12 2023

web three phase inverters require microcontroller design where the timings of the all three phases need to be precisely timed and executed circuit diagram three phase inverter circuit

three phase 50hz inverter microcontroller ol wise edu jo - Dec 07 2022

web three phase 50hz inverter microcontroller and numerous book collections from fictions to scientific research in any way along with them is this three phase 50hz inverter microcontroller that can be your partner three phase 50hz inverter microcontroller downloaded from ol wise edu jo by guest olsen albert control in power electronics

microcontroller based power inverter university - Apr 11 2023

web microcontroller based power inverter project index prj 015 by mutua joshua bernard f17 28234 2009 complexity of the circuit for the single phase full bridge inverter 4 the focus of this report 240vrms 50hz with a power rating of approximately 600w the method in which the low voltage dc power is inverted

three phase 50hz inverter microcontroller pdf monograf - Jan 08 2023

web three phase 50hz inverter microcontroller 3 3 policy issues such as iso 14000 materials selection e g for recyclability manufacturing concerns like no flux processes and design issues such as power consumption real world cases show how these elements can be included in everyday designs each chapter opens with a topical cartoon and lively

2020 21 bcctm district math competition team results - Jan 06 2023

web 2020 21 bcctm district math competition team results grade 4 north grade 4 south grade 5 north grade 5 south grade 6 grade 7 grade 8 algebra geometry 2020 21

results 2013 british paragliding competitions - Aug 01 2022

web championships 2013 2013champsoverall manteigas results 2013 results 2012 results 2011 results 2010 results 1998 2009 news competition dates learning

f9 exam results june 2013 and genius hunt competition - Dec 25 2021

web aug 8 2013 good luck to everyone i hope you will receive good news august 8 2013 at 12 12 am thanks to opentuition i am pass with 53 marks thank you so much august

kl marathon results 2013 top results 2013 - May 30 2022

web universities challenge results 2013 2012 top results 2012 top malaysians 2012 top veterans 2012 team results 2012 2011 top results 2011 top malaysians 2011 top

2013 overseas competition selection criteria singapore athletics - Nov 04 2022

web overseas competition selection criteria ocsc i use the current ocsc please refer to saa website postings ii based on quota by the host country and or saa s decision to

2023 bmmt competition registration singapore - Sep 02 2022

web 2023 bmmt competition registration singapore bmmt competition important note this link is meant for singapore students registration fees will be forfeited for

competitions events bcctm florida council of teachers of - May 10 2023

web 2021 bcctm grade 4 solution set 2 016 elementary competition files 2014 elementary competition files 2013 elementary competition files 2011 elementary competition

conference faan gov ng - Feb 07 2023

web conference faan gov ng

bcctm competition results 2013 uniport edu ng - Dec 05 2022

web apr 11 2023 bcctm competition results 2013 1 2 downloaded from uniport edu ng on april 11 2023 by guest bcctm competition results 2013 getting the books bcctm

bcctm competition results 2013 mucho goldenpalace com - Jul 12 2023

web 2 bcctm competition results 2013 2022 08 13 relevant topics to offer grads real life and fuel for whatever s next life in public schools rle edu l charlesbridge publishing if

terry hee and jessica tan win singapore s first commonwealth - Jun 30 2022

web aug 8 2022 singapore terry hee and jessica tan won singapore s first commonwealth games badminton mixed doubles gold in birmingham on monday aug 8

2013 singapore super series wikipedia - Feb 24 2022

web nguyen tien minh parupalli kashyap wang zhengming top half bottom half finals women s singles seeds li xuerui saina nehwal juliane schenk wang yihan

official results of the singapore sports awards 2013 - Oct 03 2022

web singapore 11 june 2013 the singapore sports awards ssa represents our country s most prestigious and exclusive recognition for our sports talents each year the ssa

bcctm florida council of teachers of mathematics - Aug 13 2023

web broward county council of teachers of mathematics bcctm files meeting minutes click to view minutes from our past meetings minutes competition files announcements

university school math students achieve high scores in county - Sep 14 2023

web may 21 2012 university school of nsu student minsuk kang recently earned first place at the broward county council of teachers and mathematics bcctm competition

activ work challenge - Jun 11 2023

web activ work physical inactivity is one of the leading risk factors for death worldwide it is a key risk factor for noncommunicable diseases ncds such as cardiovascular

picture gallery round up standard chartered marathon 2013 - Mar 08 2023

web dec 2 2013 take a look at some of the quirky moments captured during the standard chartered marathon 2013 on

sunday dec 1 2013 read more at straitstimes com

2013 badminton asia championships wikipedia - Nov 23 2021

web 2013 badminton asia championships tournament information location taipei taiwan dates april 16 april 21

bcctm elementary and middle school math competition results - Apr 09 2023

web may 27 2021 follow the results are in for bcctm elementary and middle school math competition fctm florida council of teachers of mathematics congratulations

2013 british touring car championship wikipedia - Apr 28 2022

web andrew jordan the 2013 drivers champion andrew jordan s championship winning btcc honda civic the 2013 dunlop 1 msa british touring car championship was a

results 2013 toru takemitsu composition award tokyo - Jan 26 2022

web may 26 2013 results 2013 judge hanya chlala arena pal sir harrison birtwistle united kingdom final concert sunday 26 may 2013 tokyo opera city concert hall

bcctm competition results 2013 api mobomo com - Oct 15 2023

web bcctm competition results 2013 battle of the books 2013 nbcc 2013 awards ceremony b2c atlanta select vs macon bucks ga tar heels championship 2013 kids

singapore badminton open 2013 results updated scores and - Mar 28 2022

web jun 18 2013 you can check out all of the results on tournamentsoftware com there weren t any real surprises in the men s singles draw fifth seeded boonsak ponsana

chemical bonding types of chemical bonds bond - Apr 18 2022

web chemical bonding re packet chemical bonding re packet 4 downloaded from waptac org on 2022 05 04 by guest with a set of problems that enable readers to

chemical bonding re packet assets ceu social - Nov 13 2021

chemical bonding note packet by elizabeth roseberry tpt - Feb 14 2022

web this extraordinary book aptly titled chemical bonding re packet written by a highly acclaimed author immerses readers in a captivating exploration of the significance of

chemical bonding worksheet chemistry libretxts - Jul 02 2023

web covalent bond chemical bond formed by sharing a pair of electrons lewis structure structure that represents bonding using dots for unpaired electrons and lines for bonds

chemical bonds practice khan academy - Feb 26 2023

web all models of chemical bonding have three common features atoms form bonds because the products are more stable than the isolated atoms bonding interactions are

pdf chemical bonding researchgate - Mar 18 2022

web this extraordinary book aptly titled chemical bonding re packet written by a highly acclaimed author immerses readers in a captivating exploration of the significance of

doc chemical bonding worksheet robert yue academia edu - Jan 28 2023

web a chemical bond is a lasting attraction between atoms or ions that enables the formation of molecules crystals and other structures the bond may result from the electrostatic

1 review of chemical bonding chemistry libretexts - Aug 23 2022

web apr 3 2023 an ionic bond is the electrostatic force that holds ions together in an ionic compound the strength of the ionic bond is directly dependent upon the quantity of the

chemical bond wikipedia - Oct 25 2022

web chemical bonding is the third technique used for bonding nonwoven geotextiles a chemical binder such as an acrylic resin may be applied by total immersion or by

chemical bonding and molecular structure khan academy - Sep 23 2022

web bond energy or bond strength the amount of energy required to break a bond in molecule is called bond energy bond energy of sigma bond is more than that of a π

8 s basic concepts of chemical bonding summary - Mar 30 2023

web chemistry library 20 units 54 skills unit 1 atoms compounds and ions unit 2 more about atoms unit 3 more about molecular composition unit 4 mass spectrometry unit 5

chemical bonds chemistry library science khan academy - Dec 27 2022

web chemical bonding and molecular structure khan academy class 11 chemistry india 13 units 107 skills unit 1 some basic concepts of chemistry unit 2 structure of atom unit

ch 6 chemical bonding re packet cie advances asme - Oct 05 2023

web the chemical bond tadamas shida 2013 03 09 providing the quantum mechanical foundations of chemical bonding this unique textbook emphasizes key concepts such as superposition degeneracy of states and the role of the electron spin an initial concise

chemical bonding 2016 packet answers google docs - Sep 04 2023

web chemicals can share and exchange electrons to form chemicals bonds there are differences in the properties of ionic and covalent compounds chemists write chemical

8 e chemical bonding basics exercises chemistry - Aug 03 2023

web chapter 6 chemistry chemical bonding packet chapter 6 chemistry chemical bonding packet 2 downloaded from cie advances asme org on 2023 10 28 by guest more

chemical bonding re packet waptac org - Jan 16 2022

chemical bonding re packet wp publish com - Dec 15 2021

8 1 what is a chemical bond chemistry libretexts - Nov 25 2022

web understand and articulate how predictions of molecular structure and bonding can be experimentally verified learn to construct hybrid orbitals from s and p atomic orbitals

9 2 types of chemical bonds chemistry libretexts - Jun 01 2023

web a a hydrogen atom with a slight positive charge is attracted to a negative charge of another molecule or atom two atoms share electrons so they can fill their outer shells b two atoms share electrons so they can fill their outer shells the constant motion of

chemical bonding an overview sciencedirect topics - Jul 22 2022

web ionic bonding is a type of chemical bonding which involves a transfer of electrons from one atom or molecule to another here an atom loses an electron which is in turn

7 6 ionic bonding chemistry libretexts - May 20 2022

web this is a interactive notebook for basics of chemical bonding contains a vocabulary page interactive activities as well as key ideas this covers ionic bonding covalent bonding

chemical bonding and molecular structure cbse class 11 - Jun 20 2022

web oct 10 2002 pdf chemical bonding is a key concept in chemistry it is also a topic area where understanding is developed through diverse models which are in find read

chapter 6 chemistry chemical bonding packet book cie - Apr 30 2023

web the definition of chemical bonds or bonding explain the different types of properties of the ionic bond covalent bond metallic bonded metal and non metal compound in