

CRANKCASE

GENERAL

When rod bearings, pinion shaft bearings or sprocket shaft bearings are in need of repair, the engine must be removed from the motorcycle as described in "Stripping Motorcycle for Engine Repair," Section 3A. It is recommended procedure to check and make repairs to cylinder heads, cylinders and gearcase at the same time, or in other words, perform an entire engine overhaul.

Flywheel End Play Check:

Before starting crankcase disassembly, check flywheel assembly end play to determine sprocket shaft bearing wear using a dial indicator. Assemble engine sprocket and nut or compensating sprocket to sprocket shaft before taking reading to assure accurate measurement. Attach indicator securely to crankcase with indicator stem resting on end of sprocket shaft. Measure total endplay by lifting flywheel assembly vertically using a screwdriver as a pry as shown in Figure 3E-17A. If play exceeds .006 maximum allowable endplay bearings must be replaced if found worn or damaged. If not worn, shimming can be used to take up endplay as described on page 3E-10.

Starting with the 1969 model season, the sprocket shaft bearing was changed as shown in Fig. 3E-3. The new bearing is locked in place with a combination lock ring-spacer which is located in a groove between the two bearing outer races. As with 1968

and earlier bearings, if any part of the bearing set requires replacement the entire bearing assembly, including bearings, races, lock ring and inner race spacer, must be replaced as a set.

DISASSEMBLING CRANKCASE

Remove cylinder heads as described in "Disassembling Cylinder Head," Section 3B.

Remove cylinders as described in "Disassembling Cylinder," Section 3C.

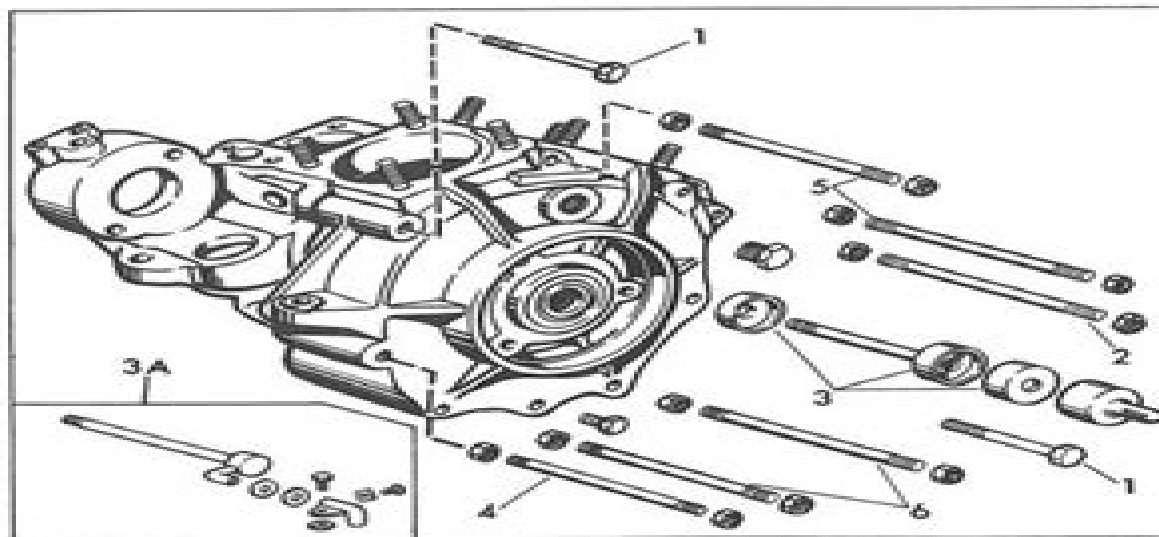
Remove gearcase parts as described in "Disassembling Gearcase," Section 3D. See "Crankcase," above for checking procedure before starting crankcase disassembly.

Refer to Fig. 3E-1 and proceed as follows:

Remove crankcase bolt (1), stud (2), crankcase breather stud assembly (3) or (3A), stud (4), top and right crankcase studs (5) and two lower crankcase studs (6). It is necessary to remove only one stud nut and slip stud and other nut out opposite side of crankcase.

Refer to Fig. 3E-2 and continue disassembly:

Position crankcase with gearcase (right side) up. Tap crankcase with rawhide or soft metal mallet to



1. Crankcase stud bolt, 3/8 x 3-1/4 in. (2)
2. Crankcase stud, 5/16 x 5 in. (right center)
3. Crankcase breather stud and chain oiler (1963 and earlier)
- 3A. Crankcase breather stud and chain oiler (1964)
4. Crankcase stud, 5/16 x 6 in. (left center)
5. Crankcase stud, 5/16 x 5-7/16 in. (2) (top and right)
6. Crankcase stud, 11/32 x 5-13/16 in. (2) (left and right bottom)

Figure following name of part indicates quantity necessary for one complete assembly. Locations are as viewed from left side of engine.

Figure 3E-1. Crankcase Studs - Exploded View

Starter 1109656 Overhaul Manual

Collins Radio Company



Starter 1109656 Overhaul Manual:

Starter 1109656 Overhaul Manual Book Review: Unveiling the Magic of Language

In a digital era where connections and knowledge reign supreme, the enchanting power of language has become more apparent than ever. Its power to stir emotions, provoke thought, and instigate transformation is really remarkable. This extraordinary book, aptly titled "**Starter 1109656 Overhaul Manual**," compiled by a highly acclaimed author, immerses readers in a captivating exploration of the significance of language and its profound effect on our existence. Throughout this critique, we will delve into the book's central themes, evaluate its unique writing style, and assess its overall influence on its readership.

<http://www.frostbox.com/files/detail/fetch.php/Tiny%20House%20Design%20And%20Construction%20Guide.pdf>

Table of Contents Starter 1109656 Overhaul Manual

1. Understanding the eBook Starter 1109656 Overhaul Manual
 - The Rise of Digital Reading Starter 1109656 Overhaul Manual
 - Advantages of eBooks Over Traditional Books
2. Identifying Starter 1109656 Overhaul Manual
 - Exploring Different Genres
 - Considering Fiction vs. Non-Fiction
 - Determining Your Reading Goals
3. Choosing the Right eBook Platform
 - Popular eBook Platforms
 - Features to Look for in an Starter 1109656 Overhaul Manual
 - User-Friendly Interface
4. Exploring eBook Recommendations from Starter 1109656 Overhaul Manual
 - Personalized Recommendations
 - Starter 1109656 Overhaul Manual User Reviews and Ratings
 - Starter 1109656 Overhaul Manual and Bestseller Lists
5. Accessing Starter 1109656 Overhaul Manual Free and Paid eBooks

- Starter 1109656 Overhaul Manual Public Domain eBooks
 - Starter 1109656 Overhaul Manual eBook Subscription Services
 - Starter 1109656 Overhaul Manual Budget-Friendly Options
6. Navigating Starter 1109656 Overhaul Manual eBook Formats
 - ePub, PDF, MOBI, and More
 - Starter 1109656 Overhaul Manual Compatibility with Devices
 - Starter 1109656 Overhaul Manual Enhanced eBook Features
 7. Enhancing Your Reading Experience
 - Adjustable Fonts and Text Sizes of Starter 1109656 Overhaul Manual
 - Highlighting and Note-Taking Starter 1109656 Overhaul Manual
 - Interactive Elements Starter 1109656 Overhaul Manual
 8. Staying Engaged with Starter 1109656 Overhaul Manual
 - Joining Online Reading Communities
 - Participating in Virtual Book Clubs
 - Following Authors and Publishers Starter 1109656 Overhaul Manual
 9. Balancing eBooks and Physical Books Starter 1109656 Overhaul Manual
 - Benefits of a Digital Library
 - Creating a Diverse Reading Collection Starter 1109656 Overhaul Manual
 10. Overcoming Reading Challenges
 - Dealing with Digital Eye Strain
 - Minimizing Distractions
 - Managing Screen Time
 11. Cultivating a Reading Routine Starter 1109656 Overhaul Manual
 - Setting Reading Goals Starter 1109656 Overhaul Manual
 - Carving Out Dedicated Reading Time
 12. Sourcing Reliable Information of Starter 1109656 Overhaul Manual
 - Fact-Checking eBook Content of Starter 1109656 Overhaul Manual
 - Distinguishing Credible Sources
 13. Promoting Lifelong Learning
 - Utilizing eBooks for Skill Development

- Exploring Educational eBooks
14. Embracing eBook Trends
- Integration of Multimedia Elements
 - Interactive and Gamified eBooks

Starter 1109656 Overhaul Manual Introduction

Starter 1109656 Overhaul Manual Offers over 60,000 free eBooks, including many classics that are in the public domain. Open Library: Provides access to over 1 million free eBooks, including classic literature and contemporary works. Starter 1109656 Overhaul Manual Offers a vast collection of books, some of which are available for free as PDF downloads, particularly older books in the public domain. Starter 1109656 Overhaul Manual : This website hosts a vast collection of scientific articles, books, and textbooks. While it operates in a legal gray area due to copyright issues, its a popular resource for finding various publications. Internet Archive for Starter 1109656 Overhaul Manual : Has an extensive collection of digital content, including books, articles, videos, and more. It has a massive library of free downloadable books. Free-eBooks Starter 1109656 Overhaul Manual Offers a diverse range of free eBooks across various genres. Starter 1109656 Overhaul Manual Focuses mainly on educational books, textbooks, and business books. It offers free PDF downloads for educational purposes. Starter 1109656 Overhaul Manual Provides a large selection of free eBooks in different genres, which are available for download in various formats, including PDF. Finding specific Starter 1109656 Overhaul Manual, especially related to Starter 1109656 Overhaul Manual, might be challenging as theyre often artistic creations rather than practical blueprints. However, you can explore the following steps to search for or create your own Online Searches: Look for websites, forums, or blogs dedicated to Starter 1109656 Overhaul Manual, Sometimes enthusiasts share their designs or concepts in PDF format. Books and Magazines Some Starter 1109656 Overhaul Manual books or magazines might include. Look for these in online stores or libraries. Remember that while Starter 1109656 Overhaul Manual, sharing copyrighted material without permission is not legal. Always ensure youre either creating your own or obtaining them from legitimate sources that allow sharing and downloading. Library Check if your local library offers eBook lending services. Many libraries have digital catalogs where you can borrow Starter 1109656 Overhaul Manual eBooks for free, including popular titles. Online Retailers: Websites like Amazon, Google Books, or Apple Books often sell eBooks. Sometimes, authors or publishers offer promotions or free periods for certain books. Authors Website Occasionally, authors provide excerpts or short stories for free on their websites. While this might not be the Starter 1109656 Overhaul Manual full book , it can give you a taste of the authors writing style. Subscription Services Platforms like Kindle Unlimited or Scribd offer subscription-based access to a wide range of Starter 1109656 Overhaul Manual eBooks, including some popular titles.

FAQs About Starter 1109656 Overhaul Manual Books

1. Where can I buy Starter 1109656 Overhaul Manual books? Bookstores: Physical bookstores like Barnes & Noble, Waterstones, and independent local stores. Online Retailers: Amazon, Book Depository, and various online bookstores offer a wide range of books in physical and digital formats.
2. What are the different book formats available? Hardcover: Sturdy and durable, usually more expensive. Paperback: Cheaper, lighter, and more portable than hardcovers. E-books: Digital books available for e-readers like Kindle or software like Apple Books, Kindle, and Google Play Books.
3. How do I choose a Starter 1109656 Overhaul Manual book to read? Genres: Consider the genre you enjoy (fiction, non-fiction, mystery, sci-fi, etc.). Recommendations: Ask friends, join book clubs, or explore online reviews and recommendations. Author: If you like a particular author, you might enjoy more of their work.
4. How do I take care of Starter 1109656 Overhaul Manual books? Storage: Keep them away from direct sunlight and in a dry environment. Handling: Avoid folding pages, use bookmarks, and handle them with clean hands. Cleaning: Gently dust the covers and pages occasionally.
5. Can I borrow books without buying them? Public Libraries: Local libraries offer a wide range of books for borrowing. Book Swaps: Community book exchanges or online platforms where people exchange books.
6. How can I track my reading progress or manage my book collection? Book Tracking Apps: Goodreads, LibraryThing, and Book Catalogue are popular apps for tracking your reading progress and managing book collections. Spreadsheets: You can create your own spreadsheet to track books read, ratings, and other details.
7. What are Starter 1109656 Overhaul Manual audiobooks, and where can I find them? Audiobooks: Audio recordings of books, perfect for listening while commuting or multitasking. Platforms: Audible, LibriVox, and Google Play Books offer a wide selection of audiobooks.
8. How do I support authors or the book industry? Buy Books: Purchase books from authors or independent bookstores. Reviews: Leave reviews on platforms like Goodreads or Amazon. Promotion: Share your favorite books on social media or recommend them to friends.
9. Are there book clubs or reading communities I can join? Local Clubs: Check for local book clubs in libraries or community centers. Online Communities: Platforms like Goodreads have virtual book clubs and discussion groups.
10. Can I read Starter 1109656 Overhaul Manual books for free? Public Domain Books: Many classic books are available for free as they're in the public domain. Free E-books: Some websites offer free e-books legally, like Project Gutenberg or Open Library.

Find Starter 1109656 Overhaul Manual :

[tiny house design and construction guide](#)

tizani nursing guide to drugs

to die for a novel

[tkr module exam with answers](#)

[timewarnercable channel guide appleton wi](#)

[tj1001 operations manual v1 0 insane audio](#)

[till my last breath durjoy datta](#)

tissot t touch expert titanium manual

[timer merlin gerin c7d](#)

tna flux user guide

title student solutions manual multivariable for calculus

[tips to drive manual](#)

title or what is this or not

to cut a long story short

titration isa gcse section paper

Starter 1109656 Overhaul Manual :

pascual el dragon descubre la antartida libros pa heinrich - Jun 02 2022

web how to light your dragon didier lévy 2020 01 23 a little boy has a problem with his dragon he s no longer able to breathe fire what to do how on earth do you rekindle a despondent dragon s flame the little boy tries shaking him by his tail and

jumping on his belly and tickling his legs no joy how about goading him

pascual el dragon descubre la antartida libros pa download - Jun 14 2023

web pascual el dragon descubre la antartida libros pa polo sur ampliado may 26 2022 la tortuga mágica sep 05 2020 en esta nueva edición el autor nos presenta la continuación de la saga de pepe y pablo la tortuga mágica y el niño isleño viajan juntos a explorar el mundo con el polo sur como su primera parada en un

pascual el dragon descubre la antartida libros pa 2023 - Sep 17 2023

web pascual el dragon descubre la antartida libros pa antarctica jul 09 2020 this prize winning debut collection of 15 stories by the acclaimed irish author are among the finest contemporary stories written recently in english the observer the

compassionate witty and unsettling short stories collected

[pascual el dragón descubre la antártida casa del libro](#) - May 13 2023

web sinopsis de pascual el dragón descubre la antártida pascual el dragón que aún no ha aprendido a hacer fuego demasiado bien conocerá muchos animales en la antártida y los intentará ayudar para que no pasen frío este es el primer libro de la colección pascual el dragón descubre el mundo en letra manuscrita

pascual el dragón descubre la antártida apple books - Feb 10 2023

web aug 5 2023 summary in spanish pascual el dragón que todavía no ha aprendido muy bien a hacer fuego se encontrará con muchos animales en la antártida y los ayudará para que no se resfrí en un libro infantil

pascual el dragon descubre la antartida libros pa pdf - Mar 31 2022

web jul 2 2023 pascual el dragon descubre la antartida libros pa 1 10 downloaded from uniport.edu.ng on July 2 2023 by guest pascual el dragon descubre la antartida libros pa when people should go to the book stores search launch by shop shelf by shelf it is truly problematic this is why we offer the books compilations in this website

[pascual el dragón descubre la antártida libros en letra ligada](#) - Jan 29 2022

web buy pascual el dragón descubre la antártida libros en letra ligada para niños cuentos interactivos para conocer culturas y ayudar a los demás by Olivetti Max Bou Quim Online on Amazon AE at best prices fast and free shipping free returns cash on delivery available on eligible purchase

[pascual el dragón descubre la antártida max Olivetti libro](#) - Nov 07 2022

web pascual el dragón que aún no ha aprendido a hacer fuego demasiado bien conocerá muchos animales en la antártida y los intentará ayudar para que no pasen frío este es el primer libro de la colección pascual el dragón descubre el mundo en letra manuscrita

pascual el dragon descubre la antartida libros pa copy - Oct 06 2022

web la colección pascual el dragón descubre el mundo tiene los siguientes títulos 1 pascual el dragón descubre antártida 2 pascual el dragón descubre Asia 3 pascual el dragón descubre África 4 pascual el dragón descubre América 5 pascual el dragón descubre Europa 6 pascual el dragón descubre Oceanía pascual

pascual el dragón descubre la antártida de max pekeleke - Dec 08 2022

web la antártida de max Olivetti y Quim Bou es el primer libro infantil de la colección pascual el dragón descubre el mundo de editorial el pirata un libro infantil muy colorido con el que vamos a aprender muchas cosas sobre diferentes partes del mundo en este caso sobre la antártida pascual es un dragón que viene de un lejano planeta y

[free pdf download pascual el dragon descubre la antartida libros pa](#) - Feb 27 2022

web pascual el dragon descubre la antartida libros pa sauros regidores en la era de los reptiles sep 17 2020 en 2017 unos

paleoantropólogos encontraron en djebel irhoud marruecos unos fragmentos de hueso que resultaron ser la evidencia más antigua de los humanos modernos la historia evolutiva del homo sapiens abarca así oficialmente la

ebook pascual el dragon descubre la antartida libros pa - Sep 05 2022

web pascual el dragon descubre la antartida libros pa antártida 1947 may 19 2022 una aparente operación científica de los EEUU a la antártida esconde en realidad un peligro para la humanidad que a día de hoy continúa siendo top secret la operación highjump fue una operación del ejército estadounidense

pascual el dragón descubre la antártida ebook kindle para - Mar 11 2023

web lee ahora en digital con la aplicación gratuita kindle pascual el dragón descubre la antártida ebook kindle para niños de 2 a 6 años libro infantil en letra ligada manuscrita cursiva un dragón ayuda a

pascual el dragón descubre la antártida libros en letra ligada - Jul 15 2023

web pascual el dragón descubre la antártida libros en letra ligada para niños cuentos interactivos para conocer culturas y ayudar a los demás 1 olivetti max bou quim amazon es libros

pascual el dragón descubre la antártida libros - Jan 09 2023

web descubre la antártida acompañado de un dragón muy especial el dragón pascual que todavía no ha aprendido a hacer fuego muy bien ha ido a parar a la antártida conocerá a los animales que viven allí y los intentará ayudar para que no pasen frío este es el primer título de la colección pascual el dragón descubre el mundo en

pascual el dragon descubre la antartida libro par copy - Jul 03 2022

web pascual el dragon descubre la antartida libro par pascual el dragón descubre europa jan 31 2023 libro infantil recomendado de 5 a 7 años en letra ligada se puede utilizar para explicar los efectos del cambio climático a los niños pascual el dragón ayudará a un pequeño flamenco para evitar que el cambio climático afecte al delta

amazon sg customer reviews pascual el dragon descubre la antartida - Aug 16 2023

web find helpful customer reviews and review ratings for pascual el dragon descubre la antartida libros en letra ligada para niños cuentos interactivos para conocer culturas y ayudar a los demás 1 at amazon com read honest

pascual el dragón descubre la antártida libros en letra ligada - Oct 18 2023

web pascual el dragón descubre la antártida libros en letra ligada para niños cuentos interactivos para conocer culturas y ayudar a los demás 1 olivetti max bou quim amazon sg books

pascual el dragon descubre la antartida libro par download - Aug 04 2022

web preguntas al niño para que piense y las responda este es el primer libro de la colección pascual el dragón descubre el mundo en letra ligada también conocida como letra manuscrita o cursiva está recomendado para explicar a partir de 2 años o bien para leer a partir de 5 años

pascual el dragón descubre la antártida overdrive - Apr 12 2023

web aug 5 2023 summary in spanish pascual el dragón que todavía no ha aprendido muy bien a hacer fuego se encontrará con muchos animales en la antártida y los ayudará para que no se resfríe en un libro infantil interactivo en español en el que el propio

pascual el dragon descubre la antartida libros pa pdf - May 01 2022

web mar 31 2023 pascual el dragon descubre la antartida libros pa 1 8 downloaded from uniport.edu.ng on march 31 2023 by guest pascual el dragon descubre la antartida libros pa this is likewise one of the factors by obtaining the soft documents of this pascual el dragon descubre la antartida libros pa by online you might not

spittler gerd michael bourdillon eds african children at work - Feb 08 2023

web jan 29 2015 book reviews gerd spittler michael bourdillon eds african children at work working and learning in growing up for life 352 pp tables illus bibliogr

african children at work working and learning in growing up for - Apr 29 2022

web african children at work working and learning in growing up for life authors gerd spittler m f c bourdillon print book english 2012 edition view all formats and

child labour in turkey - Nov 24 2021

web the trade unions act nr 2822 grants working children some rights pertaining to individual rights to unionisation 1 individual labour laws the labour act of turkey nr 4857

african children at work working and learning in growing up - Jul 13 2023

web mar 12 2014 african children at work working and learning in growing up for life gerd spittler and michael bourdillon eds zürich lit verlag gmbh co 2012 360 pp

african children at work working and learning in growing up - May 11 2023

web jan 1 2012 request pdf on jan 1 2012 gerd spittler and others published african children at work working and learning in growing up for life find read and cite all

african children at work work and learning in growing up for life - Dec 06 2022

web jan 1 2014 request pdf african children at work work and learning in growing up for life ed by gerd spittler and michael bourdillon review today the debate on

african children at work working and learning in growing up - Jul 01 2022

web aug 1 2012 african children at work book read reviews from world's largest community for readers most children in africa start working from a very early age help

african children at work working and learning in - Apr 10 2023

web jan 1 2015 african children at work working and learning in growing up for life by spittler gerd bourdillon michael eds zurich and berlin lit verlag 2012 isbn 978 3

[child labour in african artisanal mining wiley online library](#) - Jan 27 2022

web jun 25 2010 this article critically examines this problem in the context of sub saharan africa where a lack of formal sector employment opportunities and or the need to

[african children at work working and learning in growing up](#) - May 31 2022

web mar 1 2014 with this volume editors spittler and bourdillon have compiled an outstanding set of chapters about african children s work and learning in work contexts the

child labour in turkey from a global perspective a case study - Mar 29 2022

web children work under hazardous conditions both in closed environments and in the streets the main protection mechanisms for working children are informal social networks

african children at work working and learning in growing up for - Aug 14 2023

web dec 3 2014 the aim of this collection was to focus on the potential benefits of work for children rather than a concentration on harm and universal protective rights each

african children at work working and learning in growing up - Mar 09 2023

web the contributions in this book offer intensive fieldwork and careful analysis of children s activities considering childhood and family work and play work in rural and urban

[travail des enfants et droit à l'éducation au burkina faso](#) - Oct 24 2021

web this article is about a particular case of children in working situation children crushing the granite in the quarry of pissy their working conditions are considered as dangerous by

[journal of human and social sciences johass](#) - Dec 26 2021

web the ilo includes three definitions in this report working children child workers and children working in dangerous jobs the concept of child labor or working child

african children at work working and learning in - Jun 12 2023

web mar 1 2014 african children at work working and learning in growing up for life gerd spittler and michael bourdillon eds zürich lit verlag gmbh co 2012 360 pp

[african children at work working and learning in growing up](#) - Nov 05 2022

web african children at work working and learning in growing up for life ebook written by gerd spittler m f c bourdillon read this book using google play books app on your

african children at work working and learning in growing up - Jan 07 2023

web african children at work working and learning in growing up gerd spittler michael bourdillon eds the chore curriculum david f lancy introduction while claims that

time to act african children in the climate change spotlight - Feb 25 2022

web sep 1 2023 this report highlights the disproportionate impact of climate change on children in africa a region that has contributed minimally to global carbon emissions

african children at work working and learning in growing up for - Aug 02 2022

web european parliament library services navigate linked data dashboard tools extras stats share social mail

african children at work working and learning in growing up - Oct 04 2022

web dec 16 2012 african children at work working and learning in growing up for life reports on african studies beitrage zur afrikaforschung spittler gerd bourdillon

syrian child workers working in textile - Sep 22 2021

web in turkey 44 8 of employed children in this age group live in urban areas while 55 2 of them live in rural areas 68 8 of the employed children are boys and 31 2 of them

african children at work working and learning in growing up for - Sep 03 2022

web stanford libraries official online search tool for books media journals databases government documents and more

le travail des enfants en afrique 3298 mots etudier - Aug 22 2021

web le travail des enfants quelque 250 millions d enfants travaillent du matin au soir dans des usines de briques de tapis dans des ateliers de tannage de cuir dans le polissage de

les coulisses du pouvoir 1 mort d un ministre bedetheque - Oct 23 2023

web sep 6 2001 info édition dl mars 1999 au verso 2 titres parus le tome 2 paru en 2000 au dessus du code barres n 35816 collection wishlist casterman 1999 richelle delitte 1 b2003 mort d un ministre identifiant 48002 scénario richelle philippe dessin delitte jean yves couleurs quadrichromie

les coulisses du pouvoir tome 1 mort d un ministre - Jun 19 2023

web résumé stuart parkinson 69 ans premier ministre a pris ses distances vis à vis de son parti qui l avait plus ou moins évincé depuis six années il se fait discret apparaît peu en public

les coulisses du pouvoir film 1986 allociné - Feb 03 2022

web les coulisses du pouvoir est un film réalisé par sidney lumet avec richard gere julie christie synopsis pete saint john oeuvre comme conseiller en image pour tous les responsables qui ont

les coulisses du pouvoir tome 1 mort d un ministre - Dec 01 2021

web mort d un ministrestuart parkinson ancien premier ministre a pris ses distances vis à vis de son parti qui l avait évincé

depuis quelques

[les coulisses du pouvoir tome 1 mort d un ministr pdf](#) - Apr 05 2022

web les coulisses du pouvoir tome 1 mort d un ministr histoire contemporaine d angleterre depuis l avènement de la reine victoria jusqu aux élections générales de 1880 1837 1880 des causes de la mort après les blessures et les opérations chirurgicales thèse etc concours pour la chaire de pathologie externe

[les coulisses du pouvoir tome 1 album decitre](#) - Oct 31 2021

web may 19 2006 les coulisses du pouvoir tome 1 mort d un ministre edition spéciale de philippe richelle collection ligne rouge livraison gratuite à 0 01 dès 35 d achat librairie decitre votre prochain livre est là

[les coulisses du pouvoir t 1 mort d un ministre cultura](#) - Apr 17 2023

web les coulisses du pouvoir t 1 mort d un ministre par richelle aux éditions casterman stuart parkinson ancien premier ministre a pris ses distances vis à vis de son parti un jour sortant de sa retraite il donne une interview qui fait grand b

les coulisses du pouvoir tome 1 mort d un ministre babelio - Aug 21 2023

web apr 8 2004 stuart parkinson ancien premier ministre est retrouvé mort quinze jours après avoir donné une interview choc dans laquelle il fustige sa propre classe politique suicide ou suicidé Ça ne va pas fort pour ladite classe politique en tout cas car le ministre des affaires sociales est secoué par un scandale et périt dans un

[les coulisses du pouvoir tome 1 mort d un ministre](#) - Mar 16 2023

web stuart parkinson ancien premier ministre a pris ses distances vis à vis de son parti un jour sortant de sa retraite il donne une interview qui fait grand bruit pour pendant le gouvernement benson 15 jours plus tard il est retrouvé mort au bord d un canal

les coulisses du pouvoir tome 1 mort d un ministre - Sep 22 2023

web retrouvez les coulisses du pouvoir tome 1 mort d un ministre et des millions de livres en stock sur amazon fr achetez neuf ou d occasion amazon fr les coulisses du pouvoir tome 1 mort d un ministre delitte jean yves richelle philippe livres

les coulisses du pouvoir tome 1 mort d un ministre - Aug 09 2022

web stuart parkinson ancien premier ministre a pris ses distances vis à vis de son parti qui l avait évincé depuis quelques années un

[mort d un ministre les coulisses du pouvoir tome 1 senscritique](#) - May 18 2023

web mort d un ministre les coulisses du pouvoir tome 1 est une bd de philippe richelle et jean yves delitte résumé a londres les révélations d un ancien premier explorer

[les coulisses du pouvoir tome 01 mort d un ministre](#) - Sep 10 2022

web oct 21 2023 les coulisses du pouvoir tome 1 mort d un ministre les coulisses du pouvoir intégrale 8 tomes

les coulisses du pouvoir tome 1 mort d un ministr pdf - Mar 04 2022

web 4 les coulisses du pouvoir tome 1 mort d un ministr 2021 02 20 office and managing a complex prime minister centred organization conversely they are not as good at defining the broader public interest providing and recognizing evidence based policy advice managing human and financial resources with efficiency and frugality

les coulisses du pouvoir tome 1 mort d un ministre 2006 - Nov 12 2022

web les coulisses du pouvoir tome 1 mort d un ministre une bande dessinée de philippe richelle et jean yves delitte paru en 2006 chez casterman les coulisses du pouvoir tome 1 mort d un ministre série les coulisses du pouvoir cycle 1 dépôt légal mai 2006 Éditeur casterman couverture relié cartonné pages 52

les coulisses du pouvoir tome 1 mort d un ministre abebooks - Jan 14 2023

web les coulisses du pouvoir tome 1 mort d un ministre sur abebooks fr isbn 10 2203356227 isbn 13 9782203356221 casterman 2004 couverture rigide

les coulisses du pouvoir bd avis informations images - Dec 13 2022

web 3 5 j aime bien lire sur la politique et surtout les manipulations et le côté sombre de cet univers c était donc une série parfaite pour moi un ancien premier ministre meurt alors qu il avait des preuves pour faire tomber des gens on a droit à un scénario assez verbeux et il y a plusieurs personnages

les coulisses du pouvoir tome 1 mort d un ministre rakuten - Oct 11 2022

web nov 8 2010 les coulisses du pouvoir tome 1 mort d un ministre pas cher retrouvez tous les produits disponibles à l achat sur notre site

les coulisses du pouvoir tome 1 mort d un ministre by jean - Jul 08 2022

web les coulisses du pouvoir tome 1 mort d un ministre auteur jean yves delitte sur bd tek les coulisses du pouvoir bd sur coin bd les coulisses du pouvoir 1 mort d un ministre les mystres de la troisieme rpublique tome 5 mort d un le banquier du reich tome 1 bubble bd ics et mangas les coulisses du pouvoir tome 1 bdfugue les

retour à panem dans les coulisses du préquel de le figaro - Jan 02 2022

web nov 16 2023 rencontre huit ans après le triomphe de la saga portée par jennifer lawrence francis lawrence propose avec la ballade du serpent et de l oiseau chanteur un récit des origines du redoutable

les coulisses du pouvoir tome 1 mort d un ministre fnac - Jul 20 2023

web les coulisses du pouvoir tome 1 mort d un ministre philippe richelle jean yves delitte casterman des milliers de livres avec la livraison chez vous en 1 jour ou en magasin avec 5 de réduction

les coulisses du pouvoir tome 1 mort d un ministr - May 06 2022

web les coulisses du pouvoir tome 1 mort d un ministr chateaubriand today jul 14 2020 anatolica des causes de la mort après

les blessures et les opérations chirurgicales thèse etc concours pour la chaire de pathologie externe nov 10 2022 la sainte bible etc oct 29 2021 tom jones ou histoire d un enfant trouvé sep 08 2022

les coulisses du pouvoir tome 1 mort d un ministr - Jun 07 2022

web vnement qui bouleversera la vie de la jeune femme jamais souffrant d une rputation au moins gale celle de l empereur son propre fils le grand mage noir varos se presente au village pour enlever elera sauve des griffes de l empire par les elfes elle apprendra alors avoir t bnne par les toiles sa naissance et tre destine

les coulisses du pouvoir tome 1 album decitre - Feb 15 2023

web mar 9 1999 les coulisses du pouvoir tome 1 mort d un ministre de philippe richelle Éditeur casterman livraison gratuite à 0 01 dès 35 d achat librairie decitre votre prochain livre est là