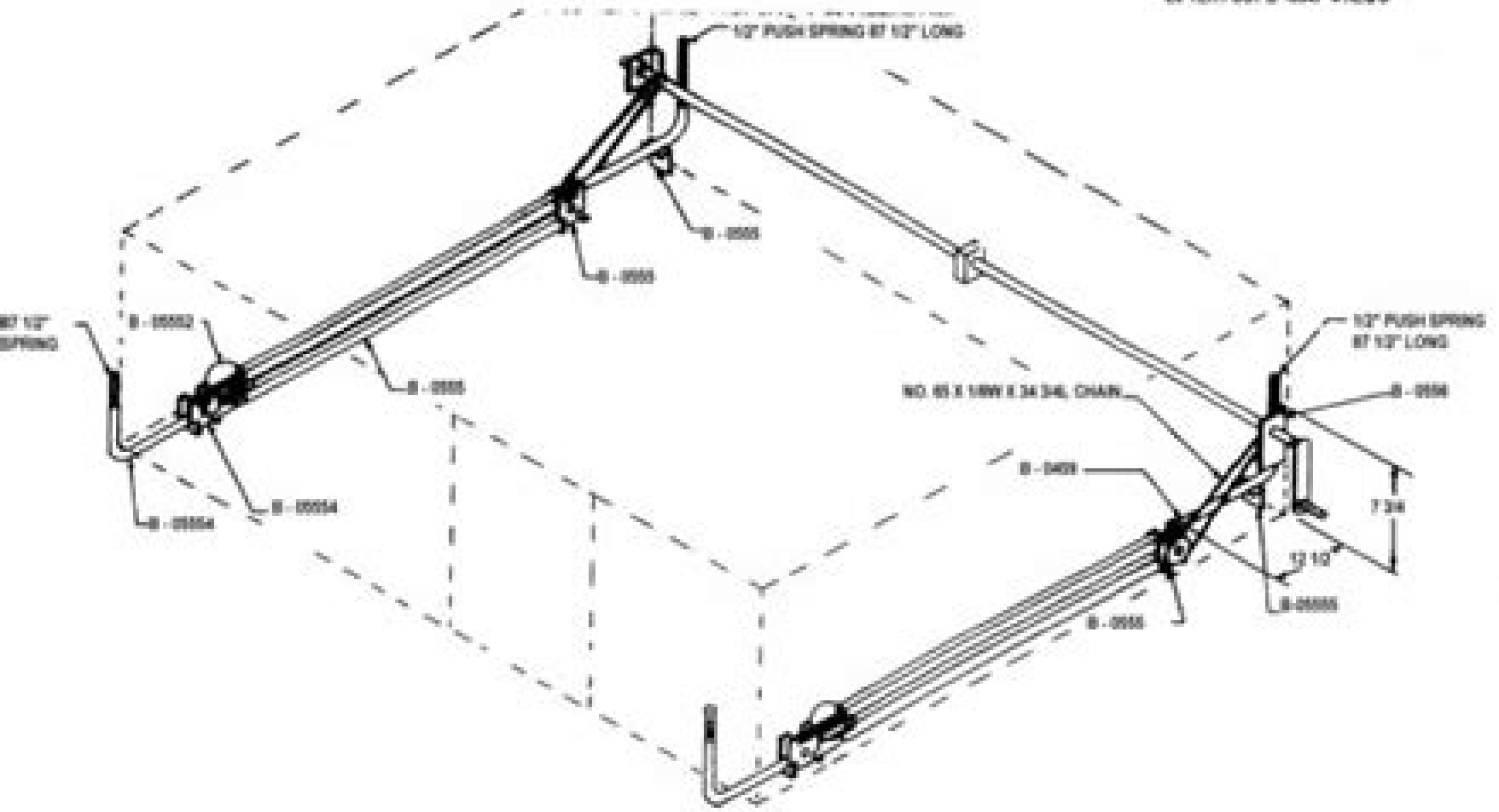


LIFTER POST B-4047 4 REED



Starcraft Lift System Repair Manual

M Mark



Starcraft Lift System Repair Manual:

Popular Mechanics ,1964-04 Popular Mechanics inspires instructs and influences readers to help them master the modern world Whether it s practical DIY home improvement tips gadgets and digital technology information on the newest cars or the latest breakthroughs in science PM is the ultimate guide to our high tech lifestyle **Thomas Register of American Manufacturers and Thomas Register Catalog File** ,1996 Vols for 1970 71 includes manufacturers catalogs **Trailer Life** ,1979 *Diver Lift System Operation and Maintenance Manual* EASTPORT INTERNATIONAL INC UPPER MARLBORO MD.,1988 This manual contains information regarding the safe operation and proper maintenance of the Diver Lift System The diver lift system has been developed by the Naval Civil Engineering Laboratory NCEL to permit the safe and effective lifting of objects when working underwater The Diver Lift System is composed of 3 sizes of open bottom lift bags The largest bag is capable of lifting a range of objects weighing from 1000 to 3000 pounds The medium bag is capable of lifting a range of objects weighing from 500 to 1250 pounds The small bag is capable of lifting a range of objects weighing from 220 to 550 pounds Each lift bag has features permitting general buoyancy adjustment and fine trimming capability for maneuvering various loads The maximum weight to be lifted is adjusted by setting a leakproof zipper is positioned relative to weight designations that have been printed on the bag The ascent descent rate and hovering capability of the bag is controlled by the diver The large bag uses a 6 inch iris diaphragm dump valve sdw

This is likewise one of the factors by obtaining the soft documents of this **Starcraft Lift System Repair Manual** by online. You might not require more time to spend to go to the book start as without difficulty as search for them. In some cases, you likewise get not discover the message Starcraft Lift System Repair Manual that you are looking for. It will categorically squander the time.

However below, gone you visit this web page, it will be for that reason agreed easy to get as skillfully as download guide Starcraft Lift System Repair Manual

It will not tolerate many get older as we tell before. You can get it while do something something else at home and even in your workplace. for that reason easy! So, are you question? Just exercise just what we have the funds for under as competently as review **Starcraft Lift System Repair Manual** what you gone to read!

http://www.frostbox.com/data/browse/Documents/Target_Publication_Digest.pdf

Table of Contents Starcraft Lift System Repair Manual

1. Understanding the eBook Starcraft Lift System Repair Manual
 - The Rise of Digital Reading Starcraft Lift System Repair Manual
 - Advantages of eBooks Over Traditional Books
2. Identifying Starcraft Lift System Repair Manual
 - Exploring Different Genres
 - Considering Fiction vs. Non-Fiction
 - Determining Your Reading Goals
3. Choosing the Right eBook Platform
 - Popular eBook Platforms
 - Features to Look for in an Starcraft Lift System Repair Manual
 - User-Friendly Interface
4. Exploring eBook Recommendations from Starcraft Lift System Repair Manual

- Personalized Recommendations
 - Starcraft Lift System Repair Manual User Reviews and Ratings
 - Starcraft Lift System Repair Manual and Bestseller Lists
5. Accessing Starcraft Lift System Repair Manual Free and Paid eBooks
 - Starcraft Lift System Repair Manual Public Domain eBooks
 - Starcraft Lift System Repair Manual eBook Subscription Services
 - Starcraft Lift System Repair Manual Budget-Friendly Options
 6. Navigating Starcraft Lift System Repair Manual eBook Formats
 - ePub, PDF, MOBI, and More
 - Starcraft Lift System Repair Manual Compatibility with Devices
 - Starcraft Lift System Repair Manual Enhanced eBook Features
 7. Enhancing Your Reading Experience
 - Adjustable Fonts and Text Sizes of Starcraft Lift System Repair Manual
 - Highlighting and Note-Taking Starcraft Lift System Repair Manual
 - Interactive Elements Starcraft Lift System Repair Manual
 8. Staying Engaged with Starcraft Lift System Repair Manual
 - Joining Online Reading Communities
 - Participating in Virtual Book Clubs
 - Following Authors and Publishers Starcraft Lift System Repair Manual
 9. Balancing eBooks and Physical Books Starcraft Lift System Repair Manual
 - Benefits of a Digital Library
 - Creating a Diverse Reading Collection Starcraft Lift System Repair Manual
 10. Overcoming Reading Challenges
 - Dealing with Digital Eye Strain
 - Minimizing Distractions
 - Managing Screen Time
 11. Cultivating a Reading Routine Starcraft Lift System Repair Manual
 - Setting Reading Goals Starcraft Lift System Repair Manual
 - Carving Out Dedicated Reading Time
 12. Sourcing Reliable Information of Starcraft Lift System Repair Manual

- Fact-Checking eBook Content of Starcraft Lift System Repair Manual
 - Distinguishing Credible Sources
13. Promoting Lifelong Learning
- Utilizing eBooks for Skill Development
 - Exploring Educational eBooks
14. Embracing eBook Trends
- Integration of Multimedia Elements
 - Interactive and Gamified eBooks

Starcraft Lift System Repair Manual Introduction

Starcraft Lift System Repair Manual Offers over 60,000 free eBooks, including many classics that are in the public domain. Open Library: Provides access to over 1 million free eBooks, including classic literature and contemporary works. Starcraft Lift System Repair Manual Offers a vast collection of books, some of which are available for free as PDF downloads, particularly older books in the public domain. Starcraft Lift System Repair Manual : This website hosts a vast collection of scientific articles, books, and textbooks. While it operates in a legal gray area due to copyright issues, its a popular resource for finding various publications. Internet Archive for Starcraft Lift System Repair Manual : Has an extensive collection of digital content, including books, articles, videos, and more. It has a massive library of free downloadable books. Free-eBooks Starcraft Lift System Repair Manual Offers a diverse range of free eBooks across various genres. Starcraft Lift System Repair Manual Focuses mainly on educational books, textbooks, and business books. It offers free PDF downloads for educational purposes. Starcraft Lift System Repair Manual Provides a large selection of free eBooks in different genres, which are available for download in various formats, including PDF. Finding specific Starcraft Lift System Repair Manual, especially related to Starcraft Lift System Repair Manual, might be challenging as theyre often artistic creations rather than practical blueprints. However, you can explore the following steps to search for or create your own Online Searches: Look for websites, forums, or blogs dedicated to Starcraft Lift System Repair Manual, Sometimes enthusiasts share their designs or concepts in PDF format. Books and Magazines Some Starcraft Lift System Repair Manual books or magazines might include. Look for these in online stores or libraries. Remember that while Starcraft Lift System Repair Manual, sharing copyrighted material without permission is not legal. Always ensure youre either creating your own or obtaining them from legitimate sources that allow sharing and downloading. Library Check if your local library offers eBook lending services. Many libraries have digital catalogs where you can borrow Starcraft Lift System Repair Manual eBooks for free, including popular titles. Online Retailers: Websites like Amazon, Google Books, or Apple Books often sell eBooks. Sometimes, authors or

publishers offer promotions or free periods for certain books. Authors Website Occasionally, authors provide excerpts or short stories for free on their websites. While this might not be the Starcraft Lift System Repair Manual full book, it can give you a taste of the authors writing style. Subscription Services Platforms like Kindle Unlimited or Scribd offer subscription-based access to a wide range of Starcraft Lift System Repair Manual eBooks, including some popular titles.

FAQs About Starcraft Lift System Repair Manual Books

1. Where can I buy Starcraft Lift System Repair Manual books? Bookstores: Physical bookstores like Barnes & Noble, Waterstones, and independent local stores. Online Retailers: Amazon, Book Depository, and various online bookstores offer a wide range of books in physical and digital formats.
2. What are the different book formats available? Hardcover: Sturdy and durable, usually more expensive. Paperback: Cheaper, lighter, and more portable than hardcovers. E-books: Digital books available for e-readers like Kindle or software like Apple Books, Kindle, and Google Play Books.
3. How do I choose a Starcraft Lift System Repair Manual book to read? Genres: Consider the genre you enjoy (fiction, non-fiction, mystery, sci-fi, etc.). Recommendations: Ask friends, join book clubs, or explore online reviews and recommendations. Author: If you like a particular author, you might enjoy more of their work.
4. How do I take care of Starcraft Lift System Repair Manual books? Storage: Keep them away from direct sunlight and in a dry environment. Handling: Avoid folding pages, use bookmarks, and handle them with clean hands. Cleaning: Gently dust the covers and pages occasionally.
5. Can I borrow books without buying them? Public Libraries: Local libraries offer a wide range of books for borrowing. Book Swaps: Community book exchanges or online platforms where people exchange books.
6. How can I track my reading progress or manage my book collection? Book Tracking Apps: Goodreads, LibraryThing, and Book Catalogue are popular apps for tracking your reading progress and managing book collections. Spreadsheets: You can create your own spreadsheet to track books read, ratings, and other details.
7. What are Starcraft Lift System Repair Manual audiobooks, and where can I find them? Audiobooks: Audio recordings of books, perfect for listening while commuting or multitasking. Platforms: Audible, LibriVox, and Google Play Books offer a wide selection of audiobooks.
8. How do I support authors or the book industry? Buy Books: Purchase books from authors or independent bookstores. Reviews: Leave reviews on platforms like Goodreads or Amazon. Promotion: Share your favorite books on social media

or recommend them to friends.

9. Are there book clubs or reading communities I can join? Local Clubs: Check for local book clubs in libraries or community centers. Online Communities: Platforms like Goodreads have virtual book clubs and discussion groups.
10. Can I read Starcraft Lift System Repair Manual books for free? Public Domain Books: Many classic books are available for free as they're in the public domain. Free E-books: Some websites offer free e-books legally, like Project Gutenberg or Open Library.

Find Starcraft Lift System Repair Manual :

target publication digest

tamd 63 p service manual

[talking to heaven by james van praagh dutton february 8 1998](#)

[taotao 50 assembly instructions manual](#)

[tally erp accounting question paper](#)

target gift card customer service number

taxi delivery english edition

[tassimo manual mode](#)

[talbot express parts](#)

takeuchi tb35s compact excavator parts manual instant

[tax guide for motor vehicle dealers](#)

[tandberg edge 9 administrator guide](#)

[tascam reference manual](#)

[tardivel vie du pape pieix ses oeliguvres et ses douleurs](#)

tally 9 lab manual

Starcraft Lift System Repair Manual :

2004 Jeep Liberty Repair Shop Manual Original 2004 JEEP LIBERTY FACTORY SERVICE MANUAL Full of information and illustrations, covers a lot, no missing pages, step by step instructions, ... 2004 JEEP LIBERTY Service Repair Manual - Issuu Jun 23, 2019 — Read 2004 JEEP LIBERTY Service Repair Manual by 1638818 on Issuu and browse thousands of other publications on our platform. Start here! 2004 Jeep Liberty Repair Manual - Vehicle Equip cars, trucks & SUVs with 2004

Jeep Liberty Repair Manual - Vehicle from AutoZone. Get Yours Today! We have the best products at the right price. Repair Manuals & Literature for Jeep Liberty Get the best deals on Repair Manuals & Literature for Jeep Liberty when you shop the largest online selection at eBay.com. Free shipping on many items ... 2004-liberty.pdf - Dealer E Process This manual has been prepared with the assistance of service and engineering specialists to acquaint you with the operation and maintenance of your new vehicle. Description: Chilton's Jeep Liberty 2002-2004 repair manual It guides you through repair procedures for all major systems, including engine overhaul, chassis electrical, tune-up, drive train, brakes, steering and ... Jeep Liberty (2002 - 2012) Chilton Master your 2002-2012 Jeep Liberty's maintenance with Chilton manuals. Step-by-step guides for confident DIY repairs. 2004 jeep liberty service repair manual May 9, 2018 — Read 2004 jeep liberty service repair manual by 1633395 on Issuu and browse thousands of other publications on our platform. Start here! Factory service and parts manuals - Jeep Liberty Forum Sep 24, 2015 — 2002 Jeep Liberty Factory Parts Manual. MediaFire is a simple to use free service that lets you put all your photos, documents, music, and video ... Jeep Liberty 2002-2007 (Haynes Repair Manual) Inside this manual you will find routine maintenance, tune-up procedures, engine repair, cooling and heating, air conditioning, fuel and exhaust, emissions ... Solutions To Case 17 Healthcare Finance Gapenski Solutions To Case 17 Healthcare Finance. Gapenski. 3. 3. Dr. Samuel Myers and. Dr. Howard Frumkin, in mid-August. 2020.Together with. Planetary Health Case. Solutions To Case 17 Healthcare Finance Gapenski Welcome to our system where you can conveniently access a riches of resources in PDF style, all at your fingertips, anytime and anywhere. Gapenski's Cases in Healthcare Finance Sixth Editi... 105 CASE 17 Southeastern Homecare was founded in 1992 in Miami, Florida, as a taxable partnership by Maria Gonzalez, MD; Ramon Garcia, RN; and Ron Sparks, ... Cases in Healthcare Finance, Seventh Edition The book's 33 cases explore financial management and accounting in a variety of healthcare settings, such as hospitals, clinics, medical practices, home health ... Chapter 17 Solutions | Gapenski's Healthcare Finance: An ... Access Gapenski's Healthcare Finance: An Introduction to Accounting and Financial Management, Seventh Edition 1st Edition Chapter 17 solutions now. Chapter 17.pdf - Healthcare Finance: An Introduction to... Healthcare Finance: An Introduction to Accounting & Financial Management, Sixth Edition by Louis C. Gapenski and Kristin L. Reiter Health Administration Press. Gapenski's Cases in Healthcare Finance, Sixth Edition The cases are supported by an extensive array of ancillary resources—including spreadsheet models for both instructors and students, case questions and ... Healthcare Finance 6th Edition Textbook Solutions Access Healthcare Finance 6th Edition solutions now. Our solutions are written by Chegg experts so you can be assured of the highest quality! Gapenski's Cases in Healthcare Finance Dec 1, 2017 — Case Solution 1 - 1. CASE 1 SOLUTION. NEW ENGLAND HEALTHCARE. Premium Development. Case Information. This case requires students to develop a ... Finance Case Presentations Gapenski, Healthcare Finance: An Introduction to Accounting and Financial ... Student Health at Shands offers a variety of clinical services. The clinic is ... greenhand chapter conducting problems -

cloudfront.net GREENHAND CHAPTER CONDUCTING PROBLEMS. District FFA Leadership Development Events. 2013. I. 1. The secretary seconds the motion that the chapter officers help ... Parli Pro Review Problem 1 .pdf - GREENHAND CHAPTER... GREENHAND CHAPTER CONDUCTING PROBLEMS District FFA Leadership Development Events I. ... 1.A member proposes that all members of the Greenhand chapter conducting ... GREENHAND CHAPTER CONDUCTING QUESTIONS GREENHAND CHAPTER CONDUCTING QUESTIONS. District FFA Leadership Development Events. 2013. 1. What is the purpose of the motion to adjourn? (38). A. The purpose ... greenhand chapter conducting questions GREENHAND CHAPTER CONDUCTING QUESTIONS. Area FFA Leadership Development Events #3. 2023. 1. Under what condition is it not permissible to rescind an item of ... CHAPTER CONDUCTING Members of the first-place team in greenhand chapter conducting are allowed to return in senior ... Parliamentary problems and parliamentary questions will be ... Chapter Conducting At the conclusion of the meeting, team members are asked questions regarding parliamentary law. There are both Greenhand and Senior levels for this event. GHP-105-2013 chapter conducting 1 .pdf - SHSU View GHP-105-2013_chapter_conducting_(1).pdf from HIST MISC at Lone Star College System, Woodlands. SHSU - 105 - 2013 GREENHAND CHAPTER CONDUCTING PROBLEMS ... Reading free Greenhand chapter conducting problems .pdf Sep 9, 2023 — greenhand chapter conducting problems. Thank you definitely much for downloading greenhand chapter conducting problems. Most likely you have. GH Chapter Conducting Flashcards Those opposed say no." OR "Those in favor of the motion raise your hand. ... questions. What is the proper procedure for calling the previous question? A main ...