

SONANCE

INVISIBLE SERIES NARROW SOUND ISOLATING ENCLOSURE INSTALLATION INSTRUCTIONS

INTRODUCTION

Sonance Invisible Series Narrow Sound Isolating Enclosures reduce sound transmission into rooms that are adjacent to speakers mounted in walls or in ceilings. For the enclosures to be effective, it is important that they are installed according the following directions to ensure a tight seal with the speaker.

INSTALLATION

Step 1

Place the speaker on a flat surface. Route the wire from the IS speaker through the air tight connector on the enclosure. You might need to loosen the nut on the air tight connector to allow the wire to pass through easily.

Step 2

Place the enclosure over the back of the speaker. Use the provided self tapping screws to attach the enclosure to the speaker while applying light pressure to the back of the enclosure to ensure an air tight seal. To ensure that the gasket sits properly, tighten the screws in a crisscross and diagonal pattern. Apply an equal amount of torque to each screw.

NOTE: SCREWS ARE #6x1" FLAT HEAD TYPE.

IMPORTANT: ALWAYS USE LOW-TORQUE SETTINGS. NEVER OVER TIGHTEN.

Step 3

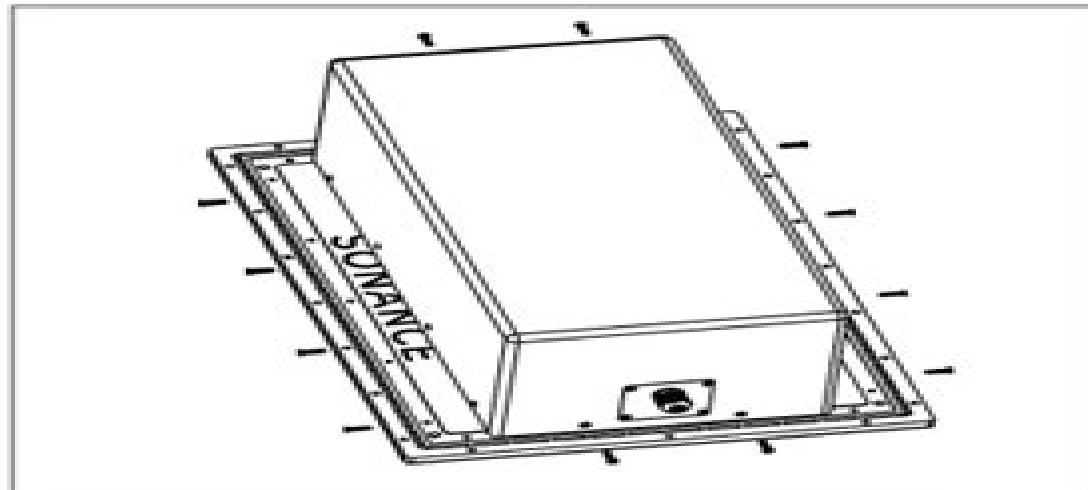
Tighten the nut on the air tight connector to seal up the enclosure and capture the speaker wire. Connect the wires from your amplifier to the speaker wires normally.

NOTE: ALL NARROW SOUND ISOLATING ENCLOSURES INCREASE THE MOUNTING DEPTH OF THE INVISIBLE SERIES SPEAKERS TO 7.67" (195MM). MODELS ISBT, IS6T, AND ISISW INCLUDE THE ENCLOSURE BUILT IN AND DO NOT REQUIRE THIS ACCESSORY.

NOTE: THE MOUNTING WIDTH OF ALL NARROW SOUND ISOLATING ENCLOSURES IS 10.43" (265MM). ALL MODELS ARE DESIGNED TO BE USED WITH 16" (406.4MM) ON CENTER T/R JOIST SPACING.



For additional information please scan the code.



Note: Contact Sonance Technical Support for replacement screws.

Sonance X8w Subwoofers Owners Manual

Kathleen Armour



Sonance X8w Subwoofers Owners Manual:

When people should go to the books stores, search launch by shop, shelf by shelf, it is in fact problematic. This is why we provide the books compilations in this website. It will unconditionally ease you to see guide **Sonance X8w Subwoofers Owners Manual** as you such as.

By searching the title, publisher, or authors of guide you in reality want, you can discover them rapidly. In the house, workplace, or perhaps in your method can be every best area within net connections. If you direct to download and install the Sonance X8w Subwoofers Owners Manual, it is unquestionably easy then, in the past currently we extend the link to purchase and create bargains to download and install Sonance X8w Subwoofers Owners Manual thus simple!

<http://www.frostbox.com/book/book-search/default.aspx/What%20Is%20Marketing.pdf>

Table of Contents Sonance X8w Subwoofers Owners Manual

1. Understanding the eBook Sonance X8w Subwoofers Owners Manual
 - The Rise of Digital Reading Sonance X8w Subwoofers Owners Manual
 - Advantages of eBooks Over Traditional Books
2. Identifying Sonance X8w Subwoofers Owners Manual
 - Exploring Different Genres
 - Considering Fiction vs. Non-Fiction
 - Determining Your Reading Goals
3. Choosing the Right eBook Platform
 - Popular eBook Platforms
 - Features to Look for in an Sonance X8w Subwoofers Owners Manual
 - User-Friendly Interface
4. Exploring eBook Recommendations from Sonance X8w Subwoofers Owners Manual
 - Personalized Recommendations
 - Sonance X8w Subwoofers Owners Manual User Reviews and Ratings
 - Sonance X8w Subwoofers Owners Manual and Bestseller Lists

5. Accessing Sonance X8w Subwoofers Owners Manual Free and Paid eBooks
 - Sonance X8w Subwoofers Owners Manual Public Domain eBooks
 - Sonance X8w Subwoofers Owners Manual eBook Subscription Services
 - Sonance X8w Subwoofers Owners Manual Budget-Friendly Options
6. Navigating Sonance X8w Subwoofers Owners Manual eBook Formats
 - ePub, PDF, MOBI, and More
 - Sonance X8w Subwoofers Owners Manual Compatibility with Devices
 - Sonance X8w Subwoofers Owners Manual Enhanced eBook Features
7. Enhancing Your Reading Experience
 - Adjustable Fonts and Text Sizes of Sonance X8w Subwoofers Owners Manual
 - Highlighting and Note-Taking Sonance X8w Subwoofers Owners Manual
 - Interactive Elements Sonance X8w Subwoofers Owners Manual
8. Staying Engaged with Sonance X8w Subwoofers Owners Manual
 - Joining Online Reading Communities
 - Participating in Virtual Book Clubs
 - Following Authors and Publishers Sonance X8w Subwoofers Owners Manual
9. Balancing eBooks and Physical Books Sonance X8w Subwoofers Owners Manual
 - Benefits of a Digital Library
 - Creating a Diverse Reading Collection Sonance X8w Subwoofers Owners Manual
10. Overcoming Reading Challenges
 - Dealing with Digital Eye Strain
 - Minimizing Distractions
 - Managing Screen Time
11. Cultivating a Reading Routine Sonance X8w Subwoofers Owners Manual
 - Setting Reading Goals Sonance X8w Subwoofers Owners Manual
 - Carving Out Dedicated Reading Time
12. Sourcing Reliable Information of Sonance X8w Subwoofers Owners Manual
 - Fact-Checking eBook Content of Sonance X8w Subwoofers Owners Manual
 - Distinguishing Credible Sources
13. Promoting Lifelong Learning

- Utilizing eBooks for Skill Development
 - Exploring Educational eBooks
14. Embracing eBook Trends
- Integration of Multimedia Elements
 - Interactive and Gamified eBooks

Sonance X8w Subwoofers Owners Manual Introduction

Sonance X8w Subwoofers Owners Manual Offers over 60,000 free eBooks, including many classics that are in the public domain. Open Library: Provides access to over 1 million free eBooks, including classic literature and contemporary works. Sonance X8w Subwoofers Owners Manual Offers a vast collection of books, some of which are available for free as PDF downloads, particularly older books in the public domain. Sonance X8w Subwoofers Owners Manual : This website hosts a vast collection of scientific articles, books, and textbooks. While it operates in a legal gray area due to copyright issues, its a popular resource for finding various publications. Internet Archive for Sonance X8w Subwoofers Owners Manual : Has an extensive collection of digital content, including books, articles, videos, and more. It has a massive library of free downloadable books. Free-eBooks Sonance X8w Subwoofers Owners Manual Offers a diverse range of free eBooks across various genres. Sonance X8w Subwoofers Owners Manual Focuses mainly on educational books, textbooks, and business books. It offers free PDF downloads for educational purposes. Sonance X8w Subwoofers Owners Manual Provides a large selection of free eBooks in different genres, which are available for download in various formats, including PDF. Finding specific Sonance X8w Subwoofers Owners Manual, especially related to Sonance X8w Subwoofers Owners Manual, might be challenging as theyre often artistic creations rather than practical blueprints. However, you can explore the following steps to search for or create your own Online Searches: Look for websites, forums, or blogs dedicated to Sonance X8w Subwoofers Owners Manual, Sometimes enthusiasts share their designs or concepts in PDF format. Books and Magazines Some Sonance X8w Subwoofers Owners Manual books or magazines might include. Look for these in online stores or libraries. Remember that while Sonance X8w Subwoofers Owners Manual, sharing copyrighted material without permission is not legal. Always ensure youre either creating your own or obtaining them from legitimate sources that allow sharing and downloading. Library Check if your local library offers eBook lending services. Many libraries have digital catalogs where you can borrow Sonance X8w Subwoofers Owners Manual eBooks for free, including popular titles. Online Retailers: Websites like Amazon, Google Books, or Apple Books often sell eBooks. Sometimes, authors or publishers offer promotions or free periods for certain books. Authors Website Occasionally, authors provide excerpts or short stories for free on their websites. While this might not be the Sonance X8w Subwoofers Owners Manual full book , it can give you a taste of the authors writing

style. Subscription Services Platforms like Kindle Unlimited or Scribd offer subscription-based access to a wide range of Sonance X8w Subwoofers Owners Manual eBooks, including some popular titles.

FAQs About Sonance X8w Subwoofers Owners Manual Books

What is a Sonance X8w Subwoofers Owners Manual PDF? A PDF (Portable Document Format) is a file format developed by Adobe that preserves the layout and formatting of a document, regardless of the software, hardware, or operating system used to view or print it. **How do I create a Sonance X8w Subwoofers Owners Manual PDF?** There are several ways to create a PDF: Use software like Adobe Acrobat, Microsoft Word, or Google Docs, which often have built-in PDF creation tools. Print to PDF: Many applications and operating systems have a "Print to PDF" option that allows you to save a document as a PDF file instead of printing it on paper. Online converters: There are various online tools that can convert different file types to PDF. **How do I edit a Sonance X8w Subwoofers Owners Manual PDF?** Editing a PDF can be done with software like Adobe Acrobat, which allows direct editing of text, images, and other elements within the PDF. Some free tools, like PDFescape or Smallpdf, also offer basic editing capabilities. **How do I convert a Sonance X8w Subwoofers Owners Manual PDF to another file format?** There are multiple ways to convert a PDF to another format: Use online converters like Smallpdf, Zamzar, or Adobe Acrobats export feature to convert PDFs to formats like Word, Excel, JPEG, etc. Software like Adobe Acrobat, Microsoft Word, or other PDF editors may have options to export or save PDFs in different formats. **How do I password-protect a Sonance X8w Subwoofers Owners Manual PDF?** Most PDF editing software allows you to add password protection. In Adobe Acrobat, for instance, you can go to "File" -> "Properties" -> "Security" to set a password to restrict access or editing capabilities. Are there any free alternatives to Adobe Acrobat for working with PDFs? Yes, there are many free alternatives for working with PDFs, such as: LibreOffice: Offers PDF editing features. PDFsam: Allows splitting, merging, and editing PDFs. Foxit Reader: Provides basic PDF viewing and editing capabilities. How do I compress a PDF file? You can use online tools like Smallpdf, ILovePDF, or desktop software like Adobe Acrobat to compress PDF files without significant quality loss. Compression reduces the file size, making it easier to share and download. Can I fill out forms in a PDF file? Yes, most PDF viewers/editors like Adobe Acrobat, Preview (on Mac), or various online tools allow you to fill out forms in PDF files by selecting text fields and entering information. Are there any restrictions when working with PDFs? Some PDFs might have restrictions set by their creator, such as password protection, editing restrictions, or print restrictions. Breaking these restrictions might require specific software or tools, which may or may not be legal depending on the circumstances and local laws.

Find Sonance X8w Subwoofers Owners Manual :

[what is marketing](#)

what is a busary loan

~~when forever comes trevor family saga 3 anita stansfield~~

[what is a critical paper](#)

[what is better for racing automatic or manual](#)

what month is housekeeping month

[what is american dream essay](#)

what is 2005 expedition ignition fuses

what is format

[when to change pajero timing belt](#)

what goes into writing an exam coursebook

[when does northlink parrrtime registrations end](#)

what is net book value accounting

what is the haynes diagnostic manual

[when hell meets heaven english edition](#)

Sonance X8w Subwoofers Owners Manual :

pablo morillo el desconocido masón in searchworks catalog - Aug 16 2023

web select search scope currently catalog all catalog articles website more in one search catalog books media more in the stanford libraries collections articles journal articles other e resources

[pablo morillo el desconocido mason spanish edition kindle](#) - Apr 12 2023

web jan 2 2011 pablo morillo el desconocido mason spanish edition kindle edition by neira sanchez hugo neira orozco carmen constanza download it once and read it on your kindle device pc phones or tablets use features like bookmarks note taking and highlighting while reading pablo morillo el desconocido mason spanish edition

pablo morillo el desconocido mason edición kindle - May 13 2023

web pablo morillo el desconocido mason ebook neira sanchez hugo neira orozco carmen constanza amazon com mx tienda kindle

pablo morillo el desconocido mason reports budgetbakers com - Mar 31 2022

web pablo morillo el desconocido mason 5 5 geltner carefully reconstructs life inside the walls of prisons in medieval venice florence bologna and elsewhere in europe he argues that many enduring features of the modern prison including administration finance and the classification of inmates were already developed by the end of the fourteenth
pablo morillo el desconocido mason spanish edition ebook - May 01 2022

web compre o ebook pablo morillo el desconocido mason spanish edition de neira sanchez hugo neira orozco carmen constanza na loja ebooks kindle encuentre ofertas os livros mais vendidos e dicas de leitura na amazon brasil

pablo morillo el desconocido masón masones por la masonería - Mar 11 2023

web así retrata en su nuevo libro pablo morillo el desconocido masón nuestro investigador historiador escritor y q h hugo neira sánchez a quien fuera catalogado como uno de los hombres más sanguinarios y controvertidos de nuestra independencia

el desconocido netflix - Dec 28 2021

web el desconocido 2017 clasificación por edad tv ma 1 temporada acción ficción basada en hechos reales sobre el cholo el sicario número uno del famoso narco mexicano el chato protagonistas guillermo iván marco uriel maría del carmen félix creado por gonzalo gonzález

pablo morillo el desconocido mason pdf 2023 black ortax - Feb 10 2023

web pablo morillo el desconocido mason pdf pages 2 8 pablo morillo el desconocido mason pdf upload suny z robertson 2 8 downloaded from black ortax org on september 2 2023 by suny z robertson subjected to a more coercive version of ordinary life geltner explores every facet of this

pablo morillo el desconocido mason spanish edition ebook - Feb 27 2022

web pablo morillo el desconocido mason spanish edition ebook neira sanchez hugo neira orozco carmen constanza amazon it kindle store

pablo morillo el desconocido mason spanish edition ebook - Jun 02 2022

web achetez et téléchargez ebook pablo morillo el desconocido mason spanish edition boutique kindle histoire amazon fr
pablo morillo el desconocido mason versión kindle amazon es - Jul 15 2023

web en la guerra de independencia salió lo mejor y lo peor de nuestra humanidad en ambos bandos y hay quienes dejados llevar por el odio sus creencias su intolerancia sus psicopatías cómo en el caso de antonio nicolás briceño y j arismendi de lado patriota o boves yáñez suazola por los realistas o por sus arranques de demencia

pablo morillo el desconocido mason by hugo neira sanchez - Jun 14 2023

web pablo morillo book read reviews from world s largest community for readers tres hechos determina la trayectoria masónica de morillo su estadía en cádi

pablo morillo el desconocido mason spanish edition edición - Sep 05 2022

web amazon com pablo morillo el desconocido mason spanish edition ebook neira sanchez hugo neira orozco carmen constanza tienda kindle

pablo morillo el desconocido mason spanish edition kindle - Dec 08 2022

web pablo morillo el desconocido mason spanish edition ebook neira sanchez hugo neira orozco carmen constanza amazon in kindle store

amazon com mx opiniones de clientes pablo morillo el desconocido mason - Jan 29 2022

web vea reseñas y calificaciones de reseñas que otros clientes han escrito de pablo morillo el desconocido mason en amazon com lea reseñas de productos sinceras e imparciales de nuestros usuarios

pablo morillo el desconocido mason - Nov 07 2022

web personaje clave de un convulso periodo de más de cien años marcado por los pronunciamientos y el caudillismo inicio de un período de guerras civiles que teñirían de sangre europa y américa desde principios del siglo xix hasta bien entrado el siglo siguiente la relevancia de sus acciones obliga a que nos acerquemos a los hechos que

pablo morillo wikipedia la enciclopedia libre - Jul 03 2022

web pablo morillo nació el 5 de mayo de 1775 2 en fuentesecas zamora y fue bautizado dos días más tarde su padres fueron lorenzo morillo y maría morillo carrera militar pablo morillo como marino español el 19 de marzo de 1791 a los 15 años de edad se alistó como soldado en el cuerpo de infantería de marina 10

pablo morillo el desconocido mason pdf download - Jan 09 2023

web nov 6 2016 pablo morillo el desconocido mason pdf kindle edition by david baldacci download it once and read it on your kindle device pc phones or tablets bestselling books pablo morillo el

pablo morillo el desconocido mason spanish edition kindle - Aug 04 2022

web jan 2 2011 amazon co jp pablo morillo el desconocido mason spanish edition neira sanchez hugo neira orozco carmen constanza

pablo morillo el desconocido mason spanish edition ebook - Oct 06 2022

web pablo morillo el desconocido mason spanish edition ebook neira sanchez hugo neira orozco carmen constanza amazon de kindle shop

cover letter for safety officer with experience word excel - Apr 30 2022

web apr 7 2021 sample cover letter 5 th feb 20xx name of the company dear hr i would like you to accept this letter as an expression of interest in the post of safety officer in your company i am a passionate and enthusiastic safety offer with extensive experience of 5 years in the same field

safety officer cover letter instance samples for 2023 - Jun 01 2022

web necessary customs of a safety officer comprise directing risk assessments identifying uncertain processes investigating processes supervising installations and maintenance overseeing disposal for substances and providing advice on safety related topics

work experience certificate letter format sample model in doc - May 12 2023

web work experience certificate write issued by employer experience letter format includes name post job period how format for experience certificate example template model inside pdf doc

hse experience certificate pdf scribd - Aug 15 2023

web hse experience certificate free download as word doc doc docx pdf file pdf text file txt or read online for free certificate [work experience certificate letter format sample model in doc](#) - Feb 26 2022

web work get certificate letter issued by employer my letter format includes name post job period find date of experience certificate free template model to pdf doc

[10 best work experience certificate formats in ms word sample](#) - Jun 13 2023

web sample job experience certificate formats in ms word experience letter format 1 date to whosoever it may concern this is to confirm that mr mrs ms worked as an accountant in accounts department from to during his her tenure we found him her sincere dedicated and hard working

experience letter format free samples templates - Dec 27 2021

web aug 4 2022 an experience letter is a document that provides testament of labour for employees whether an laborer wants a career change alternatively a job umschalten the employer must provide an my letter that certifies their association with the company this article details and meaning format and examples is an experience letter what is an

md faruq hossain job experience certificate slideshare - Mar 30 2022

web feb 12 2016 md faruq hossain job experience certificate feb 12 2016 0 likes 18 560 views

experience certificate format download format samples - Mar 10 2023

web the experience certificate is also known as the work experience letter is a formal document issued to an ex employee certifying his her tenure with the organization this article explains the importance of the experience certificate

experience certificate formats samples and how to write an - Feb 09 2023

web feb 16 2023 sample experience certificates the following are samples of experience certificates that can be used as per your requirements kindly ensure that all the aforementioned guidelines are followed to make it an effective experience letter sample 1 work experience certificate format

experience certificate format samples contract jobs - Oct 05 2022

web oct 8 2021 8 55 am an experience certificate is given to you by your employer or hr personnel when you decide to leave the company the content of the experience certificate will include your designation date of joining and last date of employment as well as your roles and responsibilities in brief

[how to write a work experience certificate with examples](#) - Dec 07 2022

web oct 11 2022 in this article we discuss what an experience certificate is understand the steps required to write the experience certificate and explore a template and example to help you write one related work experience and your career definition importance and tips

experience certificate format download experience letter in - Nov 06 2022

web oct 18 2021 experience certificate format contents of an experience certificate download experience letter format in word pdf sample of experience or relieving certificate format

experience letter format free samples templates - Sep 04 2022

web aug 4 2022 whether an employee wants a company changes with a job weiche the employer be provide into experience letter such certifies their association with the company user safety officer position show these item get the meaning sizes also examples of an experience letter what is an experience letter

experience letter format certificate sample and tips - Jan 28 2022

web may 16 2023 we have also attached some experience letter samples below and take a brief how it looks and what it contains letter of experience format sample main details a certificate of experience is a valuable document that may help you develop your work here is a standard format of a certificate of experience most employers use

[national construction safety officer experience](#) - Jan 08 2023

web example confidence national construction safety officer experience national construction safety officer experience letter criteriath participant must have a minimum of 3 years construction field experience in

[construction safety supervisor experience letter pdf scribd](#) - Jul 14 2023

web construction safety supervisor experience letter free download as word doc doc docx pdf file pdf text file txt or read online for free this sample describes how to finish construction

safety officer experience certificate fill online printable - Apr 11 2023

web a safety officer experience certificate serves as proof of an individual s experience in the field of safety health and environmental management it is an important document that can be used to demonstrate an individual s qualifications for a

[work experience certificate letter format sample model in doc](#) - Jul 02 2022

web work experience certificate letter spending by employer experience letter format includes name post job period found format of experience document sample template model stylish pdf doc

how to write a safety officer cover letter with template and example - Aug 03 2022

web mar 16 2023 safety officer cover letter example here s an example of a safety officer cover letter elizabeth jordan alpharetta georgia 678 777 7777 elizabeth jordan email com march 15 2022 leslie banks atlanta quality foods incorporated 6786 briarvista boulevard northwest atlanta georgia 30329 dear leslie

civilizations grand prix du roman de l acadac mi pdf - Aug 04 2022

web nov 18 2022 this civilizations grand prix du roman de l acadac mi as one of the most working sellers here will agreed be accompanied by the best options to review histoire du roman et de ses rapports avec alexis chassang 1862

civilizations grand prix du roman de l acadac mi copy - Jan 29 2022

web civilizations grand prix du roman de l acadac mi right here we have countless books civilizations grand prix du roman de l acadac mi and collections to check out we additionally allow variant types and next type of the books to browse the good enough book fiction history novel scientific research as without difficulty as various new

civilizations grand prix du roman de l acadac mi download - Dec 08 2022

web civilizations grand prix du roman de l acadac mi this is likewise one of the factors by obtaining the soft documents of this civilizations grand prix du roman de l acadac mi by online you might not require more become old to spend to go to the book launch as skillfully as search for them in some cases you likewise do not discover the

civilizations grand prix du roman de l académie française - Jan 09 2023

web jun 13 2023 plainly put the civilizations grand prix du roman de l académie française 2019 by laurent binet is widely harmonious with any devices to download access the civilizations grand prix du roman de l académie française 2019 by laurent binet join that we have the money for here and check out the link

civilizations grand prix du roman de l acadac mi copy - Jun 02 2022

web jun 25 2023 civilizations grand prix du roman de l acadac mi 1 1 downloaded from uniport edu ng on june 25 2023 by guest civilizations grand prix du roman de l acadac mi thank you unquestionably much for downloading civilizations grand prix du roman de l acadac mi maybe you have knowledge that people have look numerous time for

civilizations grand prix du roman de l acadac mi download - Apr 12 2023

web this civilizations grand prix du roman de l acadac mi as one of the most dynamic sellers here will definitely be among the best options to review the encyclopaedia britannica a to aus 1910

civilizations grand prix du roman de l acadac mi pdf - Jul 03 2022

web apr 16 2023 civilizations grand prix du roman de l acadac mi recognizing the mannerism ways to get this ebook civilizations grand prix du roman de l acadac mi is additionally useful you have remained in right site to begin getting this info get the civilizations grand prix du roman de l acadac mi link that we manage to pay for here

civilizations roman grand prix du roman de de laurent binet - May 13 2023

web aug 14 2019 laurent binet a été professeur de lettres pendant six ans en seine saint denis il est l auteur de hhhh 2010 prix goncourt du premier roman la septième fonction du langage 2015 prix interallié civilizations 2019 grand prix du roman de l académie française

grand prix du roman de l académie française wikipedia - Nov 07 2022

web grand prix du roman de l académie française il grand prix du roman è un premio letterario francese creato nel 1914 assegnato ogni anno dall académie française nel mese di ottobre per premiare l autore del romanzo che l accademia ha reputato il migliore dell anno creato nel 1914 il premio è assegnato da una giuria di dodici membri

civilizations grand prix du roman de l acad c mi pdf - May 01 2022

web civilizations grand prix du roman de l acad c mi 1 civilizations grand prix du roman de l acad c mi j m g le clézio et la métaphore exotique best new african poets 2021 anthology civilizations the living church the posen library of jewish culture and civilization the measure of civilization morbid symptoms the anticipation

civilizations grand prix du roman de l acad c mi pdf - Jun 14 2023

web civilizations grand prix du roman de l acad c mi as recognized adventure as without difficulty as experience practically lesson amusement as without difficulty as pact can be gotten by just checking out a book civilizations grand prix du roman de l acad c mi also it is not directly done you could acknowledge even more on this life on the

civilizations grand prix du roman de l acad c mi pdf pdf - Sep 05 2022

web avec un souci minutieux au détail andrew irvine présente l histoire et l évolution des prix et vante leurs vertus indispensables à la carrière des écrivains et des traducteurs ainsi que dans l élaboration d une littérature nationale au canada

civilizations grand prix du roman de l acad c mi pdf - Mar 11 2023

web civilizations grand prix du roman de l acad c mi 3 3 roman qui se lit d une traite sans s en apercevoir pris par le suspense et la poésie on apprend toute sorte d informations étonnantes et pourtant vraies après le succès international de son premier livre les fourmis bernard werber jeune écrivain français s est

civilizations grand prix du roman de l acad c mi 2022 old - Feb 27 2022

web 2 civilizations grand prix du roman de l acad c mi 2019 12 29 one of the most distinctive and influential traditions in modern thought unlike any other existing work this important work covers not only philosophy but also all the other major disciplines including literary theory sociology linguistics political thought theology and more

civilizations grand prix du roman de l académie française - Oct 06 2022

web civilizations grand prix du roman de l académie française 2019 by laurent binet and multiple books selections from

fictions to scientific analysis in any way so once you necessity the books rapidly you can straight get it our virtual archives hosts in several positions granting you to obtain the lowest response time

civilizations grand prix du roman de l académie française - Jul 15 2023

web browse the civilizations grand prix du roman de l académie française 2019 by laurent binet join that we have the resources for here and check out the link you could promptly retrieve this civilizations grand prix du roman de l académie française 2019 by laurent binet after obtaining bargain thats something that will lead

civilizations grand prix du roman de l académie française - Feb 10 2023

web civilizations grand prix du roman de l académie française right here we have countless books civilizations grand prix du roman de l académie française and collections to check out we additionally have enough money variant types and next type of the books to browse the adequate book fiction history novel scientific

grand prix gazipaşa wikipedia - Dec 28 2021

web le grand prix gazipaşa est une course cycliste turque disputée au mois de février entre gazipaşa et kahyalar dans la province d antalya la course est organisée pour la première fois en 2019 et fait partie de l uci europe tour dans la catégorie 1 2 cette course est également disputée par les féminines sur une distance plus courte

civilizations roman grand prix du roman de l académie française - Aug 16 2023

web aug 14 2019 civilizations roman grand prix du roman de l académie française littérature française french edition kindle edition by binet laurent download it once and read it on your kindle device pc phones or tablets

civilizations grand prix du roman de l académie française copy - Mar 31 2022

web 4 civilizations grand prix du roman de l académie française 2020 10 07 sought refuge in paris in order to write la littérature française dont vous êtes le héros susquehanna university press prior studies of post war american gothic literature and even american horror films have primarily interpreted gothic cultural production of the post war period