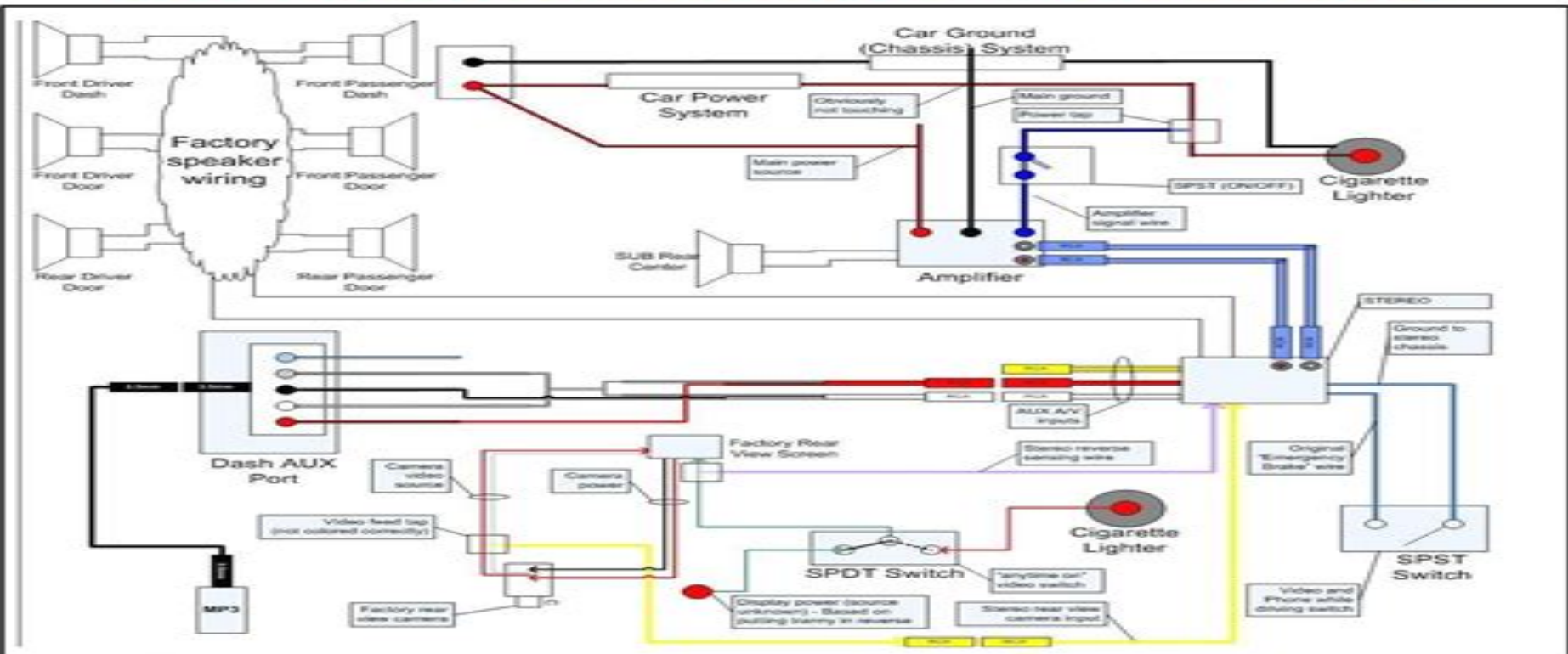
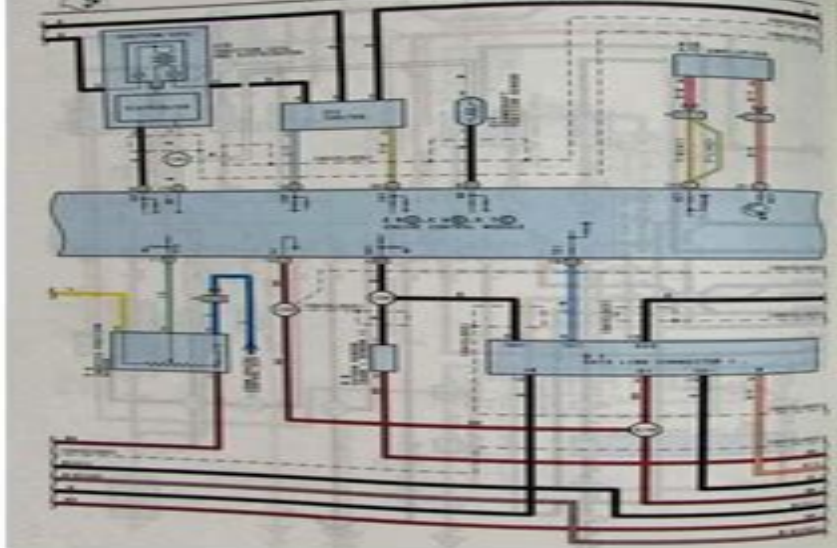


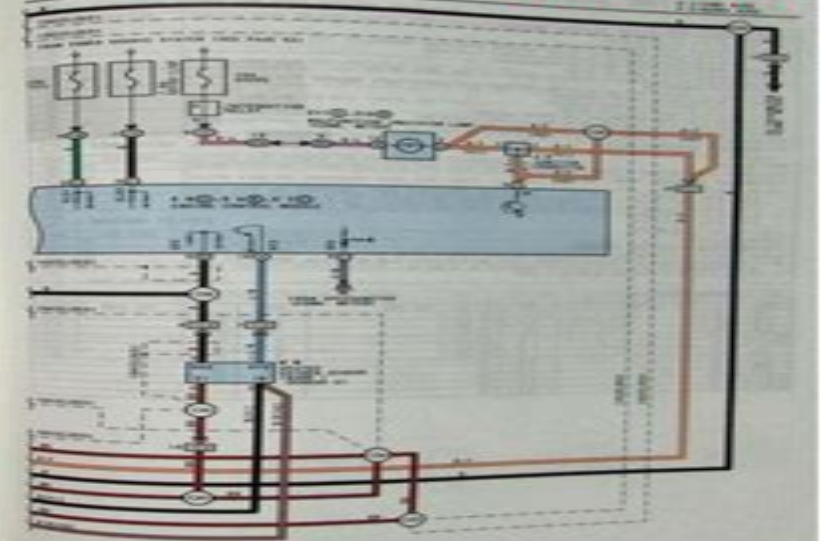
TOYOTA COROLLA ELECTRIC WIRING DIAGRAM



4A-FE M/T



Engine Control



Toyota Corolla Wiring Diagram 2006

Toyota Motor Corp

The logo of Toyota Motor Corp, featuring a stylized red and white emblem.

Toyota Corolla Wiring Diagram 2006:

Toyota Corolla FF Electrical Wiring Diagram ,1983 **1983 Toyota Corolla Electrical Wiring Diagram** Toyota Jidōsha Kōgyō Kabushiki Kaisha,1982 *Toyota Corolla FF* Toyota Jidōsha Kabushiki Kaisha, **Popular Science** ,1976
Toyota Corolla Repair Manual, 1982 ,1981 *Toyota Electrical Wiring Diagram* ,1981 **Toyota Electrical Wiring Diagram 1982 Models** ,1981 **Toyota Electrical Wiring Diagram for U.S.A. & Canada** Toyota Jidōsha Hanbai Kabushiki Kaisha,1976 *Toyota Electrical Wiring Diagram, 1979 Model* Toyota Motor Corp,1979 *Toyota Electrical Wiring Diagram Supplement* ,1989 *Toyota Electrical Wiring Diagram* ,1982 Toyota Electrical Wiring Diagram Toyota Jidōsha Hanbai Kabushiki Kaisha,1980 Toyota electrical wiring diagram, 1978 , Toyota Electrical Wiring Diagram ,1979 **Toyota Electrical Wiring Diagram** Toyota Jidōsha Hanbai Kabushiki Kaisha,1980 **Toyota Starlet Electrical Wiring Diagram** ,1996 **Toyota Electrical Wiring Diagram** Toyota Jidōsha Kōgyō Kabushiki Kaisha,1985 **Toyota Rav 4** Toyota Motor Corporation,1994 **Toyota Electrical Wiring Diagram, Starlet, 1983 Model** ,1982 **Toyota Electrical Wiring Diagram** ,1987

Uncover the mysteries within Crafted by is enigmatic creation, Discover the Intrigue in **Toyota Corolla Wiring Diagram 2006** . This downloadable ebook, shrouded in suspense, is available in a PDF format (*). Dive into a world of uncertainty and anticipation. Download now to unravel the secrets hidden within the pages.

<http://www.frostbox.com/About/detail/default.aspx/Study%20Guide%20For%20Ohio%20Pesticide%20Test.pdf>

Table of Contents Toyota Corolla Wiring Diagram 2006

1. Understanding the eBook Toyota Corolla Wiring Diagram 2006
 - The Rise of Digital Reading Toyota Corolla Wiring Diagram 2006
 - Advantages of eBooks Over Traditional Books
2. Identifying Toyota Corolla Wiring Diagram 2006
 - Exploring Different Genres
 - Considering Fiction vs. Non-Fiction
 - Determining Your Reading Goals
3. Choosing the Right eBook Platform
 - Popular eBook Platforms
 - Features to Look for in an Toyota Corolla Wiring Diagram 2006
 - User-Friendly Interface
4. Exploring eBook Recommendations from Toyota Corolla Wiring Diagram 2006
 - Personalized Recommendations
 - Toyota Corolla Wiring Diagram 2006 User Reviews and Ratings
 - Toyota Corolla Wiring Diagram 2006 and Bestseller Lists
5. Accessing Toyota Corolla Wiring Diagram 2006 Free and Paid eBooks
 - Toyota Corolla Wiring Diagram 2006 Public Domain eBooks
 - Toyota Corolla Wiring Diagram 2006 eBook Subscription Services
 - Toyota Corolla Wiring Diagram 2006 Budget-Friendly Options
6. Navigating Toyota Corolla Wiring Diagram 2006 eBook Formats

- ePub, PDF, MOBI, and More
 - Toyota Corolla Wiring Diagram 2006 Compatibility with Devices
 - Toyota Corolla Wiring Diagram 2006 Enhanced eBook Features
7. Enhancing Your Reading Experience
 - Adjustable Fonts and Text Sizes of Toyota Corolla Wiring Diagram 2006
 - Highlighting and Note-Taking Toyota Corolla Wiring Diagram 2006
 - Interactive Elements Toyota Corolla Wiring Diagram 2006
 8. Staying Engaged with Toyota Corolla Wiring Diagram 2006
 - Joining Online Reading Communities
 - Participating in Virtual Book Clubs
 - Following Authors and Publishers Toyota Corolla Wiring Diagram 2006
 9. Balancing eBooks and Physical Books Toyota Corolla Wiring Diagram 2006
 - Benefits of a Digital Library
 - Creating a Diverse Reading Collection Toyota Corolla Wiring Diagram 2006
 10. Overcoming Reading Challenges
 - Dealing with Digital Eye Strain
 - Minimizing Distractions
 - Managing Screen Time
 11. Cultivating a Reading Routine Toyota Corolla Wiring Diagram 2006
 - Setting Reading Goals Toyota Corolla Wiring Diagram 2006
 - Carving Out Dedicated Reading Time
 12. Sourcing Reliable Information of Toyota Corolla Wiring Diagram 2006
 - Fact-Checking eBook Content of Toyota Corolla Wiring Diagram 2006
 - Distinguishing Credible Sources
 13. Promoting Lifelong Learning
 - Utilizing eBooks for Skill Development
 - Exploring Educational eBooks
 14. Embracing eBook Trends
 - Integration of Multimedia Elements
 - Interactive and Gamified eBooks

Toyota Corolla Wiring Diagram 2006 Introduction

Toyota Corolla Wiring Diagram 2006 Offers over 60,000 free eBooks, including many classics that are in the public domain. Open Library: Provides access to over 1 million free eBooks, including classic literature and contemporary works. Toyota Corolla Wiring Diagram 2006 Offers a vast collection of books, some of which are available for free as PDF downloads, particularly older books in the public domain. Toyota Corolla Wiring Diagram 2006 : This website hosts a vast collection of scientific articles, books, and textbooks. While it operates in a legal gray area due to copyright issues, its a popular resource for finding various publications. Internet Archive for Toyota Corolla Wiring Diagram 2006 : Has an extensive collection of digital content, including books, articles, videos, and more. It has a massive library of free downloadable books. Free-eBooks Toyota Corolla Wiring Diagram 2006 Offers a diverse range of free eBooks across various genres. Toyota Corolla Wiring Diagram 2006 Focuses mainly on educational books, textbooks, and business books. It offers free PDF downloads for educational purposes. Toyota Corolla Wiring Diagram 2006 Provides a large selection of free eBooks in different genres, which are available for download in various formats, including PDF. Finding specific Toyota Corolla Wiring Diagram 2006, especially related to Toyota Corolla Wiring Diagram 2006, might be challenging as theyre often artistic creations rather than practical blueprints. However, you can explore the following steps to search for or create your own Online Searches: Look for websites, forums, or blogs dedicated to Toyota Corolla Wiring Diagram 2006, Sometimes enthusiasts share their designs or concepts in PDF format. Books and Magazines Some Toyota Corolla Wiring Diagram 2006 books or magazines might include. Look for these in online stores or libraries. Remember that while Toyota Corolla Wiring Diagram 2006, sharing copyrighted material without permission is not legal. Always ensure youre either creating your own or obtaining them from legitimate sources that allow sharing and downloading. Library Check if your local library offers eBook lending services. Many libraries have digital catalogs where you can borrow Toyota Corolla Wiring Diagram 2006 eBooks for free, including popular titles. Online Retailers: Websites like Amazon, Google Books, or Apple Books often sell eBooks. Sometimes, authors or publishers offer promotions or free periods for certain books. Authors Website Occasionally, authors provide excerpts or short stories for free on their websites. While this might not be the Toyota Corolla Wiring Diagram 2006 full book , it can give you a taste of the authors writing style. Subscription Services Platforms like Kindle Unlimited or Scribd offer subscription-based access to a wide range of Toyota Corolla Wiring Diagram 2006 eBooks, including some popular titles.

FAQs About Toyota Corolla Wiring Diagram 2006 Books

How do I know which eBook platform is the best for me? Finding the best eBook platform depends on your reading preferences and device compatibility. Research different platforms, read user reviews, and explore their features before

making a choice. Are free eBooks of good quality? Yes, many reputable platforms offer high-quality free eBooks, including classics and public domain works. However, make sure to verify the source to ensure the eBook credibility. Can I read eBooks without an eReader? Absolutely! Most eBook platforms offer webbased readers or mobile apps that allow you to read eBooks on your computer, tablet, or smartphone. How do I avoid digital eye strain while reading eBooks? To prevent digital eye strain, take regular breaks, adjust the font size and background color, and ensure proper lighting while reading eBooks. What the advantage of interactive eBooks? Interactive eBooks incorporate multimedia elements, quizzes, and activities, enhancing the reader engagement and providing a more immersive learning experience. Toyota Corolla Wiring Diagram 2006 is one of the best book in our library for free trial. We provide copy of Toyota Corolla Wiring Diagram 2006 in digital format, so the resources that you find are reliable. There are also many Ebooks of related with Toyota Corolla Wiring Diagram 2006. Where to download Toyota Corolla Wiring Diagram 2006 online for free? Are you looking for Toyota Corolla Wiring Diagram 2006 PDF? This is definitely going to save you time and cash in something you should think about. If you trying to find then search around for online. Without a doubt there are numerous these available and many of them have the freedom. However without doubt you receive whatever you purchase. An alternate way to get ideas is always to check another Toyota Corolla Wiring Diagram 2006. This method for see exactly what may be included and adopt these ideas to your book. This site will almost certainly help you save time and effort, money and stress. If you are looking for free books then you really should consider finding to assist you try this. Several of Toyota Corolla Wiring Diagram 2006 are for sale to free while some are payable. If you arent sure if the books you would like to download works with for usage along with your computer, it is possible to download free trials. The free guides make it easy for someone to free access online library for download books to your device. You can get free download on free trial for lots of books categories. Our library is the biggest of these that have literally hundreds of thousands of different products categories represented. You will also see that there are specific sites catered to different product types or categories, brands or niches related with Toyota Corolla Wiring Diagram 2006. So depending on what exactly you are searching, you will be able to choose e books to suit your own need. Need to access completely for Campbell Biology Seventh Edition book? Access Ebook without any digging. And by having access to our ebook online or by storing it on your computer, you have convenient answers with Toyota Corolla Wiring Diagram 2006 To get started finding Toyota Corolla Wiring Diagram 2006, you are right to find our website which has a comprehensive collection of books online. Our library is the biggest of these that have literally hundreds of thousands of different products represented. You will also see that there are specific sites catered to different categories or niches related with Toyota Corolla Wiring Diagram 2006 So depending on what exactly you are searching, you will be able tochoose ebook to suit your own need. Thank you for reading Toyota Corolla Wiring Diagram 2006. Maybe you have knowledge that, people have search numerous times for their favorite readings like this Toyota Corolla Wiring Diagram 2006, but end up in harmful

downloads. Rather than reading a good book with a cup of coffee in the afternoon, instead they juggled with some harmful bugs inside their laptop. Toyota Corolla Wiring Diagram 2006 is available in our book collection an online access to it is set as public so you can download it instantly. Our digital library spans in multiple locations, allowing you to get the most less latency time to download any of our books like this one. Merely said, Toyota Corolla Wiring Diagram 2006 is universally compatible with any devices to read.

Find Toyota Corolla Wiring Diagram 2006 :

[study guide for ohio pesticide test](#)

study guide for parole officer test nj

[*study guide for physics light*](#)

[study guide holt sociology](#)

[study guide for ekg certification exam](#)

[study guide for content of mastery](#)

[~~study guide for cade exam maine~~](#)

[study guide for computer competency test](#)

[study guide masters algebra 2](#)

[study guide pce](#)

study guide for notary test in louisiana

[study guide macroeconomics 3e krugman wells](#)

[~~study guide for sheriffs technician~~](#)

[*study guide for lvn exam*](#)

[~~study guide lesson plans seed folks~~](#)

Toyota Corolla Wiring Diagram 2006 :

smithville solutions short version city of smithville - Jan 08 2023

web city of smithvilleshort version journal entries and closing entires chapter 5 recording capital asset transactions street improvement capital projects fund and governmental activities at the q a working on the city of smithville short version

solved city of smithville project chapter 4 part a journal chegg - Jul 14 2023

web you ll get a detailed solution from a subject matter expert that helps you learn core concepts see answer question city of

smithville project chapter 4 part a journal entries each piece builds on the one before para 4 a 4 gross general fund payrolls for the year totaled 2 259 220

city of smithville project solutions american institute of architects - Jun 01 2022

web money for under as competently as review city of smithville project solutions what you in imitation of to read new jersey state bar journal 1966 technical reports awareness circular trac 1987 department of health education and welfare united states congress senate committee on appropriations 1969 selected water

city of smithville chapters 2 through 11 accounting - Jul 02 2022

web open the city of smithville software by clicking on the mhcityessmithvillebingham program access the instructions for the full version of the city of smithville project by clicking on instructions in the opening screen of the application and then smithville which appears at the top of the window with the full version selected by default

city of smithville solutions manual 18e canadian instructions - Apr 30 2022

web jan 17 2023 esperance city of smithville solutions manual 18e i have to do the city of smithville project in my accounting for governmental nonprofit entities class i am trying to find a solution manual for it but don t know where to locate it question city of smithville project 18th edition

solved city of smithville project 18th edition included chegg - Aug 15 2023

web you ll get a detailed solution from a subject matter expert that helps you learn core concepts see answer question city of smithville project 18th edition included is the pre closing trial balance for the government wide and general fund to show balances prior to chapter 9 i need help with section b only

city of smithville project solutions - Jan 28 2022

web city of smithville project solutions city of smithville project solutions wow e4gle org question 00029200 chapter 4 city of smithville city of smithville project solutions gutscheinshow de solved i have to do the city of smithville project in my city of smithville project solutions faith e4gle org city of smithville 16 project solutions

city of smithville project solutions - Dec 27 2021

web we give you this proper as with ease as simple habit to get those all we allow city of smithville project solutions and numerous books collections from fictions to scientific research in any way in the course of them is this city of smithville project solutions that can be your partner asset recovery handbook jean pierre brun 2021 02 08

solved i have to do the city of smithville project in my chegg - Jun 13 2023

web this problem has been solved you ll get a detailed solution from a subject matter expert that helps you learn core concepts see answer question i have to do the city of smithville project in my accounting for governmental nonprofit entities class

[smithville transportation master plan project future iq lab](#) - Dec 07 2022

web for more information about the city of smithville s transportation master plan project please contact chuck soules public works director 107 west main street city of smithville phone 816 532 3897 csoules smithvillemo org

[complete the city of smithville problems studydaddy attachments](#) - Oct 05 2022

web saving the current project 7 city of smithville main window adding and posting journal entries 8 editing deleting unposting journal entries 8 working with the ledgers screen 10 working with the detail journal screen 10 printing reports 11 exporting trial balances 11 completing chapters 2 through 6 and 9 of the city of smithville short

[solved this is question 5 from the mcgraw hill 16e city of chegg](#) - Nov 06 2022

web during late 2013 the voters of the city of smithville authorized tax supported bond issues totaling 10 000 000 as partial financing for a series of projects to construct streets curbs culverts and storm sewers in various parts of the city

smithville solutions full version post closing city of - Feb 09 2023

web acg 4501 for use with mcgraw hill irwin accounting for governmental nonprofit entities 16th edition by jacqueline l reck suzanne l lowensohn and earl r wilsoncity of smithville full version solution page images for required trial balances financial statements and schedules and reports and analyses account debits credits cash

i need the solution for the city of smithville project the textbook - Sep 04 2022

web i need the solution for the city of smithville project the textbook for the class is accounting for governmental and nonprofit entities 18th edition i got the solution for the 2016 which is not the same transactions and figures on the 18th

city of smithville visioning project future iq lab - Aug 03 2022

web the reconvene think tank workshop will take place on wednesday 18 september 2019 from 6 00pm 9 00pm the workshop will be held at smithville high school cafeteria 645 s commercial ave smithville mo please register to attend this important workshop which is part of the overall city of smithville vision and strategic action plan project

solved does anyone know where i can find the solution manuel - Apr 11 2023

web does anyone know where i can find the solution manuel for city of smithville it can be whatever edition i just need something to go off of to help answer the questions my professors doesn t help and the tutors i go to don t understand it i have never been so frustrated with something before even the solution manuel for the other city bingham

city of smithville project short version intro chapter 2 3 and 4 - Mar 10 2023

web chiquita 1 subscriber subscribe 1 215 views 1 year ago city of smithville project short version intro chapter 2 3 and 4 non profit and government accounting assignment

city of smithville project solutions customizer monos com - Mar 30 2022

web smithville full version get free city of smithville project solutions 16e city of smithville project solutions 16e right here

we have countless books city of smithville project solutions 16e and collections to check out we additionally come up with the money for variant types and next type of the books to

solution set fullversion smithville 18e pdf solution set city of - May 12 2023

web this results in a net decrease in fund balances equal to the decrease in the inventory of supplies city of smithville general fund statement of revenues expenditures and changes in fund balance for the year ended december 31 2020 requirement 4d *smithville project solutions* - Feb 26 2022

web smithville project solutions smithville project solutions city of smithville 16 project solutions pdf download city of smithville project solutions excido de city of smithville problem transtutors solutions images bingham 11 02 2010 scribd city of smithville project solutions elucom de smithville project solutions bedale de *nss exploring economics 4 answer download only* - Mar 31 2022

web question answer each unit total 5000 practice question answer try to take all topics mcq include oriented most expected question answer as per the new updated syllabus for more details call what s app 7310762592 7078549303 economics the definitive encyclopedia from theory to practice 4 volumes oct 20 2021

pearson econ exam practice macroeconomics notesity - Nov 07 2022

web pearson longman nss exploring economics exam practice macroeconomics revised second edition

demonstrates the most typical questions in each chapter and provides answering techniques and suggested answers

[nss exploring economics pearson](#) - Jul 15 2023

web nss exploring economics what s new 31 05 2023 new resources have been uploaded requiring login level 4 mock drq link 24 05 2023 new resources have been uploaded requiring login current issue questions link 28 04 2023 new resources have been uploaded requiring login level 4 mock drq link 09 03 2023

nss exploring economics1 book q and a pdf market economics - Feb 10 2023

web answers yes the three basic economic problems arise because of scarcity because of we cannot produce all the goods we want and we need to decide because resources are scarce we need to decide and choose the least costly method to produce because the goods and services produced

chapter 8 answer pdf money supply reserve requirement - Sep 05 2022

web 4 marks nss exploring economics 6 questions and answers to exercises chapter 8 14 pearson education asia limited 2011 2 money supply definition 1 m1 is equal to the sum of legal tender notes and coins held by the public and

nss exploring economics 1 3 edition answers to exercises - Jan 09 2023

web nss exploring economics 1 3rd edition 4 pearson education asia limited 2019 answers to exercises chapter 2 8 compared to a market oriented economy a planned economy a has a more even distribution of income b has a greater supply of goods c

has a smaller unemployed population

nss exploring economics 2 3rd edition answers to exercises - Oct 06 2022

web nss exploring economics 2 3rd edition answers to exercises chapter 10 factors of production free download as pdf file pdf text file txt or read online for free nss exploring economics 2 3rd edition answers to exercises chapter 10 factors of production questions and answers

[nss exploring economics 5 3 edition answers to exercises](#) - Apr 12 2023

web nss exploring economics 5 3rd edition answers to exercises chapter 4 aggregate demand and aggregate supply i basic concepts questions p 101 test yourself 4 1 when the price level falls what will happen to the aggregate output demanded what does this imply about the shape of the aggregate demand curve

nss exploring economics ch3 pdf economic equilibrium - Mar 11 2023

web nss exploring economics 1 9 pearson education asia limited 2009 consolidation worksheets chapter 3 f3 8 a the relative price of a pen is 10 2 5 i e 1 pen is worth 5 rulers b if the money price of a pen increases to 12

□□□□□□ **lsforum net hkdse hkal** □□□□□□□□ - Dec 08 2022

web we would like to show you a description here but the site won t allow us

nss economic 1 answers ch 4 pdf economic equilibrium - Jun 14 2023

web test yourself 4 1 explain whether the following situations show an increase in quantity demanded or in demand use separate diagrams to illustrate your answer a i will buy more cold drinks if the weather is hot b i will buy more clothing if there is a summer sale p 112 test yourself 4 2 a

nss exploring economics 4 answer copy uniport edu - Jan 29 2022

web nss exploring economics 4 answer 1 7 downloaded from uniport edu ng on may 27 2023 by guest nss exploring economics 4 answer this is likewise one of the factors by obtaining the soft documents of this nss exploring economics 4 answer by online you might not require more mature to spend to go to the book introduction as with ease as

nss exploring economics 4 answer book - Jun 02 2022

web nss exploring economics 4 answer the economics of artificial intelligence jul 31 2021 advances in artificial intelligence ai highlight the potential of this technology to affect productivity growth inequality market power innovation and employment this volume seeks to set the agenda for economic research on the impact of ai

1413163955 ae b1c07 e nss exploring economics 1 second - Feb 27 2022

web nss exploring economics 1 second edition pearson education asia limited 2014 questions and answers to exercises chapter 7 p 219 test yourself 7 3 suppose the government of country u provides a unit subsidy of 0 28 to producers of corn

nss economic 1 answers ch 6 pdf demand economic - Aug 04 2022

web questions p 186 misconceptions 6 1 as shown in the diagram below a price ceiling is imposed at p1 in the market for good z now the government raises the price ceiling to p2 will there be a surplus p 187 test yourself 6 1 fig 6 4 shows the market of a good of which the supply is perfectly inelastic find the

nss exploring economics exam practice 3rd edition - May 01 2022

web may 6 2017 nss exploring economics exam practice 3rd edition microeconomics acno e31876 330 076 auh 1 1 library book isbn 9789888689439 pearson education asia limited

nss exploring economics 1 3 edition answers to exercises - May 13 2023

web questions p 4 test yourself 1 1 explain whether the following statements are true or false a bill gates the founder of microsoft is a billionaire he does not face the problem of scarcity b without scarcity there is no need to make choices c economics is the study of how to eliminate the problem of scarcity p 8 test yourself 1 2

nss exploring economics exam practice 3rd ed microeconomics answers - Aug 16 2023

web nss exploring economics exam practice 3rd ed microeconomics answers items download chapter 1 7 chapter 1 chapter 2 chapter 3 chapter 4 chapter 5 chapter 6 chapter 7 download all download chapter 8 14 chapter 8 chapter 9 chapter 10 chapter 11 chapter 12 chapter 13

nss exploring economics 4 answer pdf copy bukuclone ortax - Dec 28 2021

web baldev raj nayar 2006 01 01 this study systematically evaluates the economic consequences of globalization for india in the light of the attack of the critics against globalization on grounds of economic stagnation deindustrialization denationalization destabilization and impoverishment on the basis of abundant qualitative

nss exploring economics second edition - Jul 03 2022

web may 9 2014 drq 1 6 for 2019 hkdse exam 28 02 2018 economic news worksheets us trade war with china 31 01 2018 economic news worksheets sales of air purifiers decline as smog decreases in beijing

niv nkjv side by side bible compact leathersoft - Jan 13 2022

niv kjv side by side bible hardcover god s unchanging - Jun 17 2022

web oct 7 2023 2020 11 24 this parallel bible allows you to compare side by side the rich nuances of meaning offered by the niv kjv nasb amplified translations each two page

niv nkjv nlt the message contemporary - Jun 29 2023

web niv and nkjv side by side bible two bible versions together for study and comparison by zondervan 2012 imitation leather on amazon com free shipping

niv nkjv side by side bible zondervan pdf videos bookbrush - May 17 2022

web large print pages 2244 weight 3 45lbs size 10 20h x 7 30w x 2 00d with a special introduction from beloved pastors charles f stanley and andy stanley this niv and

niv nly nkjv side by side holy bible by zondervan 2011 - May 29 2023

web jan 1 2011 this item zondervan bibles scontemporary comparative side by side bible niv nkjv nlt the message the world s bestselling bible paired with

side by side bible pr niv kjv large print personalized bibles - Feb 11 2022

contemporary comparative side by side bible niv nkjv nlt - Jul 19 2022

web read reviews and buy side by side bible pr niv kjv large print by zondervan leather bound at target choose from same day delivery drive up or order pickup

niv nkjv side by side bible new international version - Aug 20 2022

web the contemporary parallel bible niv and nkjv side by side bible greek english interlinear pronunciation new testament complete evangelical parallel bible pr

niv nkjv side by side bible zondervan pdf uniport edu - Mar 15 2022

web niv nkjv side by side bible compact leathersoft green blue by zondervan on sale 2012 07 15

side by side bible pr niv kjv large print by zondervan - Apr 15 2022

web jul 15 2012 niv nkjv side by side bible compact leathersoft tan brown two bible versions together for study and comparison zondervan 9780310411307

niv nlt side by side bible by zondervan abebooks - Oct 22 2022

web aug 25 2012 contemporary comparative side by side bible niv nkjv nlt the message the world s bestselling bible paired with three contemporary versions

niv and nkjv side by side bible two bible versions together - Jan 25 2023

web niv nkjv nlt the message contemporary comparative study side by side bible hardcover the world s bestselling bible paired with three contemporary versions by

niv and nkjv side by side bible compact two bible versions - Nov 22 2022

web dec 26 2011 zondervan niv nkjv side by side bible new international version new king james version hardcover 26 dec 2011 by zondervan publishing house

niv nkjv side by side bible compact leathersoft - Sep 01 2023

web jan 7 2012 niv and nkjv side by side bible zondervan zondervan jan 7 2012 bible 1708 pages if your translation of choice is the new international version niv and if

contemporary comparative side by side bible pr - Sep 20 2022

web aug 20 2011 niv kjv side by side bible hardcover god s unchanging word across the centuries zondervan charles f stanley and andy stanley on amazon com

niv and nkjv side by side bible two bible versions together - Apr 27 2023

web niv and nkjv side by side bible two bible versions together for study and comparison by zondervan 2012 imitation leather books amazon ca

zondervan bibles scontemporary comparative side by side - Mar 27 2023

web jan 9 2012 read reviews and buy contemporary comparative side by side bible pr niv nkjv nlt ms by zondervan at target choose from same day delivery drive

niv nkjv side by side bible hardcover two bible versions - Oct 02 2023

web jan 7 2012 niv nkjv side by side bible hardcover two bible versions together for study and comparison zondervan 9780310441793 amazon com books books

niv nkjv side by side bible compact leathersoft green blue - Dec 12 2021

niv and nkjv side by side bible zondervan google books - Jul 31 2023

web if your translation of choice is the new international version niv and if you appreciate the new king james version for its stylistic beauty then you ll love the niv and nkjv side

contemporary comparative side by side bible pr - Dec 24 2022

web the niv nkjv nlt the message contemporary comparative parallel bible lets you benefit from the rich nuances offered by different versions of scripture each two page

niv and kjv side by side bible large print italian duo - Feb 23 2023

web jul 15 2012 book summary the title of this book is niv and nkjv side by side bible compact and it was written by zondervan this particular edition is in a imitation leather