

- Table of Contents
- Safe operating instructions
- Technical Data
- Introduction, Maintenance
- Planned Maintenance
- Oil and Grease Specifications
- Tools
- Support Arm Chain
- Electric Drive Motor
- Drive Unit/Gear
- Electromagnetic Brake
- Steering
- Electrical Systems
- Hydraulic System
- Non-Lift Chain System



TOYOTA

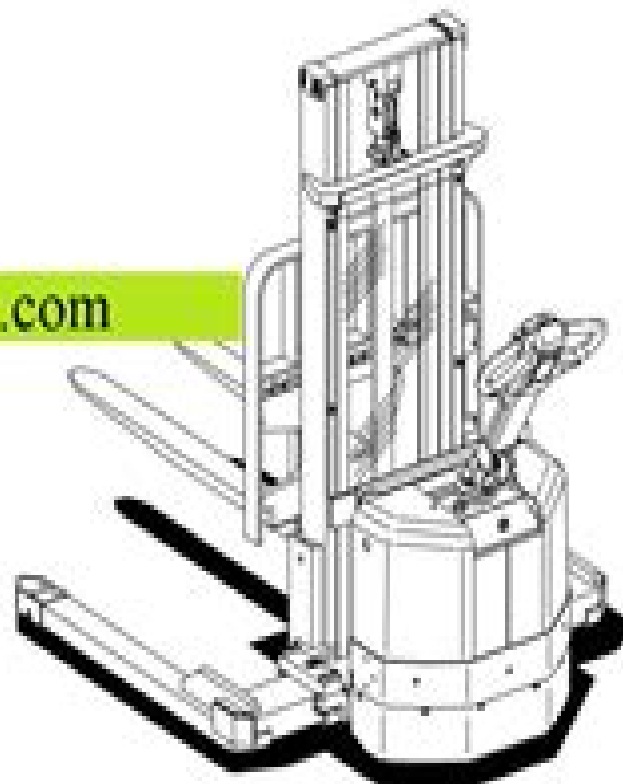
MATERIAL HANDLING U.S.A.

Service Guide

6BWS10/13

Electric Walkie Adjustable Straddle Stacker
 (Effective Serial Number 000000 - UP)

DHTauto.com



- Warning** Read and observe all warnings on this unit before operating it.
- Warning** DO NOT operate this equipment unless all factory-installed safety and health are

Toyota Forklift Manual Sas

A Gutmann



Toyota Forklift Manual Sas:

Popular Mechanics ,1999-12 Popular Mechanics inspires instructs and influences readers to help them master the modern world Whether it s practical DIY home improvement tips gadgets and digital technology information on the newest cars or the latest breakthroughs in science PM is the ultimate guide to our high tech lifestyle [Materials Handling News](#) ,2003 **Popular Mechanics** ,1999 *Moody's International Manual* ,1995 **Proceedings of International Conference on Intelligent Manufacturing and Automation** Hari Vasudevan,Vijaya Kumar N. Kottur,Amool A. Raina,2018-11-04 This book presents the outcomes of the International Conference on Intelligent Manufacturing and Automation ICIMA 2018 organized by the Departments of Mechanical Engineering and Production Engineering at Dwarkadas J Sanghvi College of Engineering Mumbai and the Indian Society of Manufacturing Engineers It includes original research and the latest advances in the field focusing on automation mechatronics and robotics CAD CAM CAE CIM FMS in manufacturing product design and development DFM DFA FMEA MEMS and Nanotechnology rapid prototyping computational techniques industrial engineering manufacturing process management modelling and optimization techniques CRM MRP and ERP green lean agile and sustainable manufacturing logistics and supply chain management quality assurance and environment protection advanced material processing and characterization and composite and smart materials **West's Colorado Revised Statutes Annotated** Colorado,2008 **Toyota Forklift** ,1986 *Toyota Forklift* ,1983 *Toyota Forklift* Toyota Jidōsha Kabushiki Kaisha,1984 **The Forklift Manual** John L. Ryan,L. D. Ryan,2006 *Operator's Manual* ,1991 **Operator's Manual** ,1992 **Toyota Operator's Manual** ,197? **Toyota Pick-Up Owners Workshop Manual** John B. Raffa,John Harold Haynes,1983 **Toyota Owners Workshop Manual** John Harold Haynes,Peter B. Ward,1982 **Service Manual, Liftall** ,1976 *Operator's Manual* ,1990 [Toyota Pick-ups & 4-runner Automotive Repair Manual](#) John B. Raffa,Larry Warren,John Harold Haynes,1992 *Toyota Model-F Repair Manual for Body & Chassis* Toyota Jidōsha Kabushiki Kaisha,1983 **Operator's Manual** ,1991

Fuel your quest for knowledge with Authored by is thought-provoking masterpiece, Explore **Toyota Forklift Manual Sas** . This educational ebook, conveniently sized in PDF (Download in PDF: *), is a gateway to personal growth and intellectual stimulation. Immerse yourself in the enriching content curated to cater to every eager mind. Download now and embark on a learning journey that promises to expand your horizons. .

http://www.frostbox.com/data/publication/fetch.php/The_Escort_Book_3_Bea_S_Submission_Billionaire_Brothers.pdf

Table of Contents Toyota Forklift Manual Sas

1. Understanding the eBook Toyota Forklift Manual Sas
 - The Rise of Digital Reading Toyota Forklift Manual Sas
 - Advantages of eBooks Over Traditional Books
2. Identifying Toyota Forklift Manual Sas
 - Exploring Different Genres
 - Considering Fiction vs. Non-Fiction
 - Determining Your Reading Goals
3. Choosing the Right eBook Platform
 - Popular eBook Platforms
 - Features to Look for in an Toyota Forklift Manual Sas
 - User-Friendly Interface
4. Exploring eBook Recommendations from Toyota Forklift Manual Sas
 - Personalized Recommendations
 - Toyota Forklift Manual Sas User Reviews and Ratings
 - Toyota Forklift Manual Sas and Bestseller Lists
5. Accessing Toyota Forklift Manual Sas Free and Paid eBooks
 - Toyota Forklift Manual Sas Public Domain eBooks
 - Toyota Forklift Manual Sas eBook Subscription Services
 - Toyota Forklift Manual Sas Budget-Friendly Options

6. Navigating Toyota Forklift Manual Sas eBook Formats
 - ePub, PDF, MOBI, and More
 - Toyota Forklift Manual Sas Compatibility with Devices
 - Toyota Forklift Manual Sas Enhanced eBook Features
7. Enhancing Your Reading Experience
 - Adjustable Fonts and Text Sizes of Toyota Forklift Manual Sas
 - Highlighting and Note-Taking Toyota Forklift Manual Sas
 - Interactive Elements Toyota Forklift Manual Sas
8. Staying Engaged with Toyota Forklift Manual Sas
 - Joining Online Reading Communities
 - Participating in Virtual Book Clubs
 - Following Authors and Publishers Toyota Forklift Manual Sas
9. Balancing eBooks and Physical Books Toyota Forklift Manual Sas
 - Benefits of a Digital Library
 - Creating a Diverse Reading Collection Toyota Forklift Manual Sas
10. Overcoming Reading Challenges
 - Dealing with Digital Eye Strain
 - Minimizing Distractions
 - Managing Screen Time
11. Cultivating a Reading Routine Toyota Forklift Manual Sas
 - Setting Reading Goals Toyota Forklift Manual Sas
 - Carving Out Dedicated Reading Time
12. Sourcing Reliable Information of Toyota Forklift Manual Sas
 - Fact-Checking eBook Content of Toyota Forklift Manual Sas
 - Distinguishing Credible Sources
13. Promoting Lifelong Learning
 - Utilizing eBooks for Skill Development
 - Exploring Educational eBooks
14. Embracing eBook Trends
 - Integration of Multimedia Elements

- Interactive and Gamified eBooks

Toyota Forklift Manual Sas Introduction

Toyota Forklift Manual Sas Offers over 60,000 free eBooks, including many classics that are in the public domain. Open Library: Provides access to over 1 million free eBooks, including classic literature and contemporary works. Toyota Forklift Manual Sas Offers a vast collection of books, some of which are available for free as PDF downloads, particularly older books in the public domain. Toyota Forklift Manual Sas : This website hosts a vast collection of scientific articles, books, and textbooks. While it operates in a legal gray area due to copyright issues, its a popular resource for finding various publications. Internet Archive for Toyota Forklift Manual Sas : Has an extensive collection of digital content, including books, articles, videos, and more. It has a massive library of free downloadable books. Free-eBooks Toyota Forklift Manual Sas Offers a diverse range of free eBooks across various genres. Toyota Forklift Manual Sas Focuses mainly on educational books, textbooks, and business books. It offers free PDF downloads for educational purposes. Toyota Forklift Manual Sas Provides a large selection of free eBooks in different genres, which are available for download in various formats, including PDF. Finding specific Toyota Forklift Manual Sas, especially related to Toyota Forklift Manual Sas, might be challenging as theyre often artistic creations rather than practical blueprints. However, you can explore the following steps to search for or create your own Online Searches: Look for websites, forums, or blogs dedicated to Toyota Forklift Manual Sas, Sometimes enthusiasts share their designs or concepts in PDF format. Books and Magazines Some Toyota Forklift Manual Sas books or magazines might include. Look for these in online stores or libraries. Remember that while Toyota Forklift Manual Sas, sharing copyrighted material without permission is not legal. Always ensure youre either creating your own or obtaining them from legitimate sources that allow sharing and downloading. Library Check if your local library offers eBook lending services. Many libraries have digital catalogs where you can borrow Toyota Forklift Manual Sas eBooks for free, including popular titles. Online Retailers: Websites like Amazon, Google Books, or Apple Books often sell eBooks. Sometimes, authors or publishers offer promotions or free periods for certain books. Authors Website Occasionally, authors provide excerpts or short stories for free on their websites. While this might not be the Toyota Forklift Manual Sas full book , it can give you a taste of the authors writing style. Subscription Services Platforms like Kindle Unlimited or Scribd offer subscription-based access to a wide range of Toyota Forklift Manual Sas eBooks, including some popular titles.

FAQs About Toyota Forklift Manual Sas Books

1. Where can I buy Toyota Forklift Manual Sas books? Bookstores: Physical bookstores like Barnes & Noble, Waterstones, and independent local stores. Online Retailers: Amazon, Book Depository, and various online bookstores offer a wide range of books in physical and digital formats.
2. What are the different book formats available? Hardcover: Sturdy and durable, usually more expensive. Paperback: Cheaper, lighter, and more portable than hardcovers. E-books: Digital books available for e-readers like Kindle or software like Apple Books, Kindle, and Google Play Books.
3. How do I choose a Toyota Forklift Manual Sas book to read? Genres: Consider the genre you enjoy (fiction, non-fiction, mystery, sci-fi, etc.). Recommendations: Ask friends, join book clubs, or explore online reviews and recommendations. Author: If you like a particular author, you might enjoy more of their work.
4. How do I take care of Toyota Forklift Manual Sas books? Storage: Keep them away from direct sunlight and in a dry environment. Handling: Avoid folding pages, use bookmarks, and handle them with clean hands. Cleaning: Gently dust the covers and pages occasionally.
5. Can I borrow books without buying them? Public Libraries: Local libraries offer a wide range of books for borrowing. Book Swaps: Community book exchanges or online platforms where people exchange books.
6. How can I track my reading progress or manage my book collection? Book Tracking Apps: Goodreads, LibraryThing, and Book Catalogue are popular apps for tracking your reading progress and managing book collections. Spreadsheets: You can create your own spreadsheet to track books read, ratings, and other details.
7. What are Toyota Forklift Manual Sas audiobooks, and where can I find them? Audiobooks: Audio recordings of books, perfect for listening while commuting or multitasking. Platforms: Audible, LibriVox, and Google Play Books offer a wide selection of audiobooks.
8. How do I support authors or the book industry? Buy Books: Purchase books from authors or independent bookstores. Reviews: Leave reviews on platforms like Goodreads or Amazon. Promotion: Share your favorite books on social media or recommend them to friends.
9. Are there book clubs or reading communities I can join? Local Clubs: Check for local book clubs in libraries or community centers. Online Communities: Platforms like Goodreads have virtual book clubs and discussion groups.
10. Can I read Toyota Forklift Manual Sas books for free? Public Domain Books: Many classic books are available for free as they're in the public domain. Free E-books: Some websites offer free e-books legally, like Project Gutenberg or Open Library.

Find Toyota Forklift Manual Sas :

the escort book 3 bea s submission billionaire brothers

the first interlude a collection of erotic short stories

the diary of samuel pepys 1663

the fallen leaves with biographical introduction

the forgotten sister a sequel to pride and prejudice

the gambler and other stories

the doomsday prophecy ben hope book

the frog prince mamet study guide

the geek s guide to dating

the frat ravishes the brat taboo interracial mm english edition

the eternal feminine

the founders and the classics

the digital puritan vol iv no 3

the end of power

the family joke book english edition

Toyota Forklift Manual Sas :

6100 5100 white planters seed lok - Feb 15 2022

web 6 seed lok mounting instructions for 6100 white planters consult page 8 parts section for all part references 1 remove depth control gauge wheel from one side 2 remove all scraper bolts from planter unit 3 bolt the seed lok wheel and arm to the mounting bracket 4 with the 2 3 8 x 1 bolts 1 lock washer 2 and washer 3 4

white 6100 6 row corn planter pots planters facebook - Feb 27 2023

web 6100 white 6 row narrow corn planter for sale conservation planter with yetter no till fertilizer coulters and newer dawn row cleaners always shedded and in very good condition

planters online auctions 31 lots auctiiontime com - Nov 26 2022

web may 25 2022 white 6100 6 row planter with a white 6900 7 row splitter attachment and the consignor has owned it for the last 13 years and always kept it stored inside the planter is equipped with 540 pto pump sm3000 monitor 6 row 30 inch rows white 6900 7 row splitter attachment with 15 inch rows dry f

white 6100 planters row units for sale new used fastline - Aug 04 2023

web planters row units white 6100 planters row units for sale new used find new and used planters row units for sale with fastline com filter your search results by price manufacturer with the tool to the left of the listings

white 6100 planters planting equipment auction results - Jan 29 2023

web view details 30 updated tuesday april 11 2023 09 51 am lot 2689 1997 white 6100 planters planting equipment sold price log in to see more details auction ended may 25 2022 machine location cuba kansas 66940 number of rows 6 row spacing 30 in number of acres 3000 planter type pull fertilizer yes monitor yes serial number

white 6100 6 row corn planter for sale farms com - Jul 23 2022

web white 6100 6 row corn planter for sale white 6100 6 row corn planter call for more info

white 6100 planters planting equipment for sale - Jun 02 2023

web used white corn planter 6100 540 pto pump unverferth cross auger dry fertilizer hydraulic fold markers 6 row set 30 4 press wheels insecticide boxes corn and bean plates tires 9 5l 15 get shipping quotes opens in a new tab

white model 6100 6 row 30 inch vacuum corn planter dry - Sep 24 2022

web white model 6100 6 row 30 inch vacuum corn planter dry fertilizer trash whips monitor one owner nice clean serial 810601 farm equipment machinery large sauk centre glenwood mn area farm

white 6100 planters planting equipment for sale - Oct 06 2023

web feb 4 2019 used white corn planter 6100 540 pto pump unverferth cross auger dry fertilizer hydraulic fold markers 6 row set 30 4 press wheels insecticide boxes corn and bean plates tires 9 5l 15

white planters planting equipment for sale tractorhouse com - Mar 31 2023

web feb 4 2019 browse a wide selection of new and used white planters planting equipment for sale near you at tractorhouse com top models include 5100 6100 9816 and 8824

white 6100 corn planter for sale for sale farms com - Aug 24 2022

web white 6100 corn planter for sale for sale 6 row 30 spacing liquid fertilizer markers w monitor excellent condition owner retiring

white planters planting equipment for sale agcoused com - Oct 26 2022

web oct 19 2023 need help finding used equipment browse a wide selection of new and used white planters planting equipment for sale near you at agcoused com top models include 6122 9816ve 8222 and 9824

white 6100 planters planting equipment for sale 27 listings - May 01 2023

web browse a wide selection of new and used white 6100 planters planting equipment for sale near you at tractorhouse australia

[used white 6100 for sale 19 listings machinery pete](#) - Sep 05 2023

web find 19 used white 6100 planters for sale near you browse the most popular brands and models at the best prices on machinery pete

white 6106 planters planting equipment for sale - Apr 19 2022

web feb 4 2019 browse a wide selection of new and used white 6106 planters planting equipment for sale near you at tractorhouse com

white 6100 pull type planter yetter co - Jul 03 2023

web 5 white 6100 pull type planter without 3 x 3 diamond white fertilizer bar 4 row narrow wide 6 row narrow 6 row wide 8 row narrow 8 row wide and 12 row narrow see the price book for blade choices

white 6100 planter bigiron auctions - Mar 19 2022

web jan 6 2021 white 6100 planter 9 5l 15 operational tires pin hitch fixed markers row cleaners 6 rows 30 spacing yetter row cleaners slagle closers keaton seed firmers corn and bean plates dickey john monitors sn 608186

white 6100 auction results 104 listings equipmentfacts com - May 21 2022

web 6 row narrow 30 corn planter dry fertilizer double disc openers martin moulter row cleaner combos w treader wheels spiked closing wheels insecticide well equipped planter pto pump sold price login to see more details

white 6100 6 row corn planter for sale farms com - Dec 28 2022

web white 6100 6 row planter dry fertilizer markers sm3000 monitor low acres

white 6100 corn planter for sale for sale farms com - Jun 21 2022

web white 6100 corn planter for sale for sale 6 row air liquid fertilizer monitor excellent condition liquid storage tank transfer pump included 13000 retiring

[isotopes chemistry socratic](#) - Mar 16 2023

web isotopes differ in the number of neutrons in ions the number of electrons is different from the number of protons isotopes are atoms that have the same number of protons but different numbers of neutrons thus atoms of $^{12}_6\text{C}$ and of $^{13}_6\text{C}$ are isotopes of each other

[2 2 atomic structure isotopes and atomic mass](#) - Jul 08 2022

web what is the percent composition of cu in terms of these two isotopes answer 69 15 cu 63 and 30 85 cu 65 figure pageindex 5 isotopes of an element are atoms with the same atomic number but different mass numbers isotopes of an element therefore differ from each other only in the number of neutrons within the nucleus

explainer what is an isotope the conversation - May 18 2023

web jan 11 2013 isotopes of an element share the same number of protons but have different numbers of neutrons let s use

carbon as an example there are three isotopes of carbon found in nature carbon 12

how do isotopes of a given element differ how are they - Jan 02 2022

web video answer so now we ll talk about problems 58 from chapter four this problem whereas how do isotopes differ and how are they similar isotopes for the same element so isotopes differ in the number of neutro

3 5 isotopes chemistry libretexts - Oct 23 2023

web isotopes are atoms of the same element that differ in the amount of neutrons and atomic mass almost all elements on the periodic table have at least two different natural isotopes many elements

isotopes and mass spectrometry article khan academy - Apr 17 2023

web the isotopes of a given element always contain the same number of protons and therefore occupy the same place on the periodic table however because isotopes contain different numbers of neutrons each isotope has a unique atomic mass

how do isotopes differ from each other socratic - Aug 09 2022

web apr 18 2015 isotopes are variants of a particular chemical element which differ in neutron number although all isotopes of a given element have the same number of protons in each atom answer link

how do isotopes differ from ions socratic - May 06 2022

web jul 25 2014 isotopes differ in the number of neutrons in ions the number of electrons is different from the number of protons isotopes are atoms that have the same number of protons but different numbers of neutrons thus atoms of ^{12}C and ^{13}C are isotopes of each other

worked example identifying isotopes and ions khan academy - Jul 20 2023

web isotopes are those atoms having same atomic number number of protons are same but different mass number number of neutrons differ ions are atoms which contain an overall charge where number of protons number of electrons

4 5 defining isotopes chemistry libretexts - Sep 22 2023

web atoms of the same element i e same atomic number Z that have different numbers of neutrons are called isotopes for example 99 of the carbon atoms on earth have 6 neutrons and 6 protons in their nuclei about 1 of the carbon atoms have 7

what are isotopes iaea international atomic energy agency - Nov 12 2022

web aug 19 2022 atoms with the same number of protons but different numbers of neutrons are called isotopes they share almost the same chemical properties but differ in mass and therefore in physical properties there are stable isotopes which do not emit radiation and there are unstable isotopes which do emit radiation

what way do isotopes of an element differ answers - Dec 01 2021

web aug 9 2023 how do different isotopes of an element differ two isotopes differ in the number of neutrons in the nucleus for example carbon 14 has 8 neutrons differing from carbon 12 which has 6

2 3 isotopes when the number of neutrons varies - Feb 15 2023

web atoms of the same element that differ in their numbers of neutrons are called isotopes many isotopes occur naturally usually one or two isotopes of an element are the most stable and common different isotopes of an element generally have the same physical and chemical properties because they have the same numbers of protons and electrons

how do isotopes of a given element differ how are they similar - Dec 13 2022

web jan 5 2016 explanation isotopes are atoms of the same element same atomic number ie same number of protons in the nucleus but different atomic masses different mass numbers due to different numbers of neutrons in the nucleus for example we may get an isotope of chlorine with 17 protons and 18 neutrons hence atomic mass 35

how do isotopes of an element differ socratic - Jun 07 2022

web may 16 2018 explanation an atom is characterized as a particular element by the number of positively charged massive nuclear particles i e z $z = 1$ we get hydrogen $z = 2$ we get helium $z = 3$ lithium $z = 47$ we get silver the nucleus can also contain neutrons massive nuclear particles of zero charge

isotopes atomic structure aqa gcse combined science - Jan 14 2023

web atoms of the same element with different numbers of neutrons are called isotopes close isotope atoms of an element with the same number of protons and electrons but different numbers of neutrons

isotope examples definition britannica - Aug 21 2023

web oct 31 2023 an isotope is one of two or more species of atoms of a chemical element with the same atomic number and position in the periodic table and nearly identical chemical behavior but with different atomic masses and physical properties every chemical element has one or more isotopes

isotopes differ due to the number of what socratic - Apr 05 2022

web jul 18 2018 answer link due to the number of neutrons isotopes differ with respect to the number of neutrons their nuclei contain where neutrons are massive particles of zero charge a nucleus may contain variable numbers of neutrons and this gives rise to the phenomenon of isotopes

isotope wikipedia - Oct 11 2022

web isotopes are distinct nuclear species or nuclides as technical term of the same chemical element they have the same atomic number number of protons in their nuclei and position in the periodic table and hence belong to the same chemical element but differ in nucleon numbers mass numbers due to different numbers of neutrons in

isotopes differ in chemistry questions - Jun 19 2023

web verified by toppr correct option is d atoms having same atomic number but different atomic mass are known as isotopes the difference in the mass is due to the difference in their number of neutrons with the same number of electrons and

protons

[isotopes worksheet answer key part i answer the questions](#) - Feb 03 2022

web part i answer the questions based on the above reading what is an isotope isotopes are versions of the same element they have the same number of protons and electrons as the element but different mass numbers and number of neutrons what does the number next to isotopes signify the number indicates the isotope s mass number

how do isotopes differ in atomic structure example socratic - Sep 10 2022

web nov 27 2016 explanation basically isotopes are nuclei that have the same number of protons and are thus the same element but have unequal numbers of neutrons answer link the nucleus differs as a result of the number of neutrons in the atom the actual structure doesn t differ all that much but its mass does differ thus its density is a little

solved isotopes differ from each other in what ways a they - Mar 04 2022

web chemistry questions and answers isotopes differ from each other in what ways a they have different numbers of electrons outside the nucleus b they have different atomic number o c they have different numbers of neutrons in the nucleus d more than one response is correct e they have different numbers of protons in the nucleus

le breton sans peine tome 2 coffret avec 2 de fañch - Sep 27 2023

web may 1 1994 ce deuxième tome partie intégrante du breton sans peine va vous permettre de continuer avec plaisir et intérêt l apprentissage de cette langue

[fanch morvannou tous les produits fnac](#) - Apr 22 2023

web feb 14 1996 le breton sans peine tome 2 quatre k7 audio langue de base français langue enseignée breton fanch morvannou auteur les enregistrements contiennent

breton sans peine tome 1 fañch morvannou babelio - Oct 16 2022

web 22 mars 2020 la version assimil d apprentissage du breton de fañch morvannoù est reconnue comme la meilleure de la gamme assimil breton si cette version est plus

morvannou f assimil le breton sans peine tome 2 - Jul 13 2022

web feb 25 2015 morvannou f assimil le breton sans peine tome 2 Файл формата pdf размером 12 54 МБ Добавлен пользователем hugo1980

[kervella divi assimil le breton cd sciarium](#) - Feb 08 2022

web oct 15 2012 leurs 75 ans d expérience ont déjà servi à des millions de personnes désirant apprendre une des 40 langues proposées dans la collection sans peine assimil suit

morvannou f assimil le breton sans peine tome 2 sciarium - Nov 17 2022

web feb 25 2015 morvannou f assimil le breton sans peine tome 2 pdf file size 12 54 mb added by hugo1980

assimil le breton sans peine tome 2 pdf 25okn8t6domg - Sep 15 2022

web tome 2 pdf 25okn8t6domg assimil 1979 316 673 р нумерация продолжается после первого тома без учёта грамматического приложения le breton d

le breton sans peine tome 2 langues rakuten - May 23 2023

web jun 25 2021 le breton sans peine tome 2 pas cher retrouvez tous les produits disponibles à l achat dans notre catégorie langues

le breton sans peine morvannou 9782700500783 - Mar 21 2023

web jan 1 1978 at chapter 12 le breton sans peine does not have me speaking fluent breton but it has left me feeling familiar with both the breton language and the culture

le breton sans peine book 1978 worldcat org - Feb 20 2023

web le breton sans peine fanch morvannou home worldcat home about worldcat help search search for library items search for lists search for initiation au breton sans

le breton sans peine tome 2 de fañch morvannou decitre - May 11 2022

web may 1 1994 le breton sans peine tome 2 de fañch morvannou Éditeur assimil france livraison gratuite à 0 01 dès 35 d achat librairie decitre votre prochain livre

le breton sans peine tome 2 broché 13 février 2004 amazon fr - Apr 10 2022

web le breton sans peine tome 2 assimil collection langues régionales amazon fr livres

assimil le breton sans peine tome 2 cd sciarium - Aug 14 2022

web oct 15 2012 assimil le breton sans peine tome 2 cd rar file size 169 27 mb contains audio document s added by stas7

le breton sans peine tome 2 livre d occasion boutique la - Dec 18 2022

web auteur assimil collection langues régionales isbn 3135410000627 Édition assimil livraison gratuite expédiée en 24h satisfait ou remboursé

assimil le breton sans peine tome 1 djvu - Nov 05 2021

web cette méthode se propose de vous initier à la langue bretonne tout en vous imprégnant de l étonnante culture qui en est indissociable le breton réunit tous les outils qui vous

film izle online 1080p hd film izle whdfilmizle net - Jun 12 2022

web we would like to show you a description here but the site won t allow us

le breton sans peine breton sans peine tome 2 fnac - Aug 26 2023

web livre le breton sans peine fanch morvannou auteur breton sans peine tome 2 le breton sans peine caractéristiques voir tout editeur assimil format 11cm x 18cm

le breton sans peine tome 1 langue de base français fnac - Jan 07 2022

web nos leçons vivantes variées et pleines d humour vous conduiront en quelques mois à une bonne connaissance du breton standard compris par tous les bretonnants cet ouvrage

assimil le breton sans peine tome 2 morvannou f - Jan 19 2023

web assimil 1979 316 673 p le breton dont les fondements remontent au moyen Âge est une langue d origine celtique langue régionale ayant subi l expansion politique du

amazon fr le breton sans peine tome 2 livres - Jun 24 2023

web noté 5 retrouvez le breton sans peine tome 2 et des millions de livres en stock sur amazon fr achetez neuf ou d occasion

le breton sans peine tome 2 langue de base français fnac - Jul 25 2023

web votre étude du breton est en bonne voie ce deuxième tome va vous permettre de continuer en toute progressivité votre apprentissage les 35 leçons et un appendice

le breton sans peine tome 2 quatre k7 audio langue de base - Mar 09 2022

web tome 2 quatre k7 audio langue de base français langue enseignée breton le breton sans peine fanch morvannou assimil des milliers de livres avec la livraison chez

morvannou f assimil le breton sans peine tome 1 sciarium - Dec 06 2021

web feb 25 2015 details assimil initiation au breton sans peine audio pdf category languages and linguistics breton language assimil 1979 185 p collection