

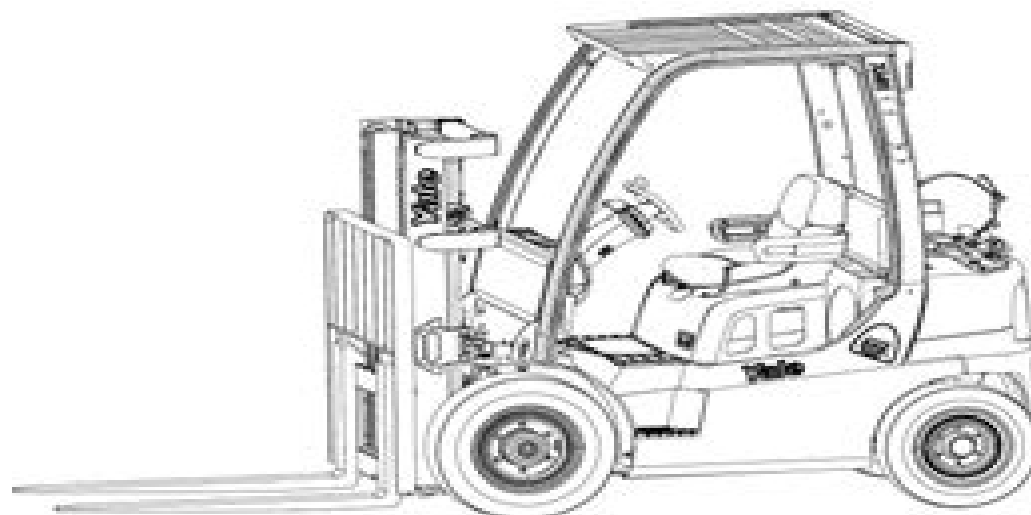
Bookmarks

- 1 GENERAL TRUCK
- 2 ENGINE ASSEMBLY
- 3 EXHAUST SYSTEM
- 4 COOLING SYSTEM
- 5 FUEL SYSTEM
- 6 ELECTRICAL SYSTEM
- 7 TRANSMISSION
- 8 DRIVE AXLE
- 9 STEERING SYSTEM
- 10 BRAKE SYSTEM
- 11 HYDRAULIC SYSTEM
- 12 LIFTING MECHANISM
- 13 ATTACHMENTS AND HEU
- 14 OPTIONS
- 15 FIELD CONVERSION KIT:



PARTS MANUAL

GP/GLP/GDP040VX-GP/GLP/GDP070VX (B875)



179921-01



Yale Materials Handling Corporation
1400 Sullivan Drive
Cedar No. 12011
Greenville, NC 27834-2011

PN# 524240895
© Yale Corp.
02/2007

Yale Forklift Type Lp Repair Manual

Lei Huang



Yale Forklift Type Lp Repair Manual:

Unveiling the Power of Verbal Beauty: An Psychological Sojourn through **Yale Forklift Type Lp Repair Manual**

In a world inundated with monitors and the cacophony of instantaneous connection, the profound power and psychological resonance of verbal beauty frequently diminish in to obscurity, eclipsed by the constant barrage of noise and distractions. Yet, set within the lyrical pages of **Yale Forklift Type Lp Repair Manual**, a fascinating function of literary brilliance that impulses with fresh feelings, lies an remarkable trip waiting to be embarked upon. Written by way of a virtuoso wordsmith, that mesmerizing opus guides readers on an emotional odyssey, delicately revealing the latent possible and profound influence stuck within the elaborate web of language. Within the heart-wrenching expanse of the evocative analysis, we will embark upon an introspective exploration of the book is main themes, dissect its captivating writing model, and immerse ourselves in the indelible effect it leaves upon the depths of readers souls.

http://www.frostbox.com/files/publication/fetch.php/zero_motorcycles_repair_manual.pdf

Table of Contents Yale Forklift Type Lp Repair Manual

1. Understanding the eBook Yale Forklift Type Lp Repair Manual
 - The Rise of Digital Reading Yale Forklift Type Lp Repair Manual
 - Advantages of eBooks Over Traditional Books
2. Identifying Yale Forklift Type Lp Repair Manual
 - Exploring Different Genres
 - Considering Fiction vs. Non-Fiction
 - Determining Your Reading Goals
3. Choosing the Right eBook Platform
 - Popular eBook Platforms
 - Features to Look for in an Yale Forklift Type Lp Repair Manual
 - User-Friendly Interface
4. Exploring eBook Recommendations from Yale Forklift Type Lp Repair Manual
 - Personalized Recommendations

- Yale Forklift Type Lp Repair Manual User Reviews and Ratings
- Yale Forklift Type Lp Repair Manual and Bestseller Lists
- 5. Accessing Yale Forklift Type Lp Repair Manual Free and Paid eBooks
 - Yale Forklift Type Lp Repair Manual Public Domain eBooks
 - Yale Forklift Type Lp Repair Manual eBook Subscription Services
 - Yale Forklift Type Lp Repair Manual Budget-Friendly Options
- 6. Navigating Yale Forklift Type Lp Repair Manual eBook Formats
 - ePub, PDF, MOBI, and More
 - Yale Forklift Type Lp Repair Manual Compatibility with Devices
 - Yale Forklift Type Lp Repair Manual Enhanced eBook Features
- 7. Enhancing Your Reading Experience
 - Adjustable Fonts and Text Sizes of Yale Forklift Type Lp Repair Manual
 - Highlighting and Note-Taking Yale Forklift Type Lp Repair Manual
 - Interactive Elements Yale Forklift Type Lp Repair Manual
- 8. Staying Engaged with Yale Forklift Type Lp Repair Manual
 - Joining Online Reading Communities
 - Participating in Virtual Book Clubs
 - Following Authors and Publishers Yale Forklift Type Lp Repair Manual
- 9. Balancing eBooks and Physical Books Yale Forklift Type Lp Repair Manual
 - Benefits of a Digital Library
 - Creating a Diverse Reading Collection Yale Forklift Type Lp Repair Manual
- 10. Overcoming Reading Challenges
 - Dealing with Digital Eye Strain
 - Minimizing Distractions
 - Managing Screen Time
- 11. Cultivating a Reading Routine Yale Forklift Type Lp Repair Manual
 - Setting Reading Goals Yale Forklift Type Lp Repair Manual
 - Carving Out Dedicated Reading Time
- 12. Sourcing Reliable Information of Yale Forklift Type Lp Repair Manual
 - Fact-Checking eBook Content of Yale Forklift Type Lp Repair Manual

- Distinguishing Credible Sources
- 13. Promoting Lifelong Learning
 - Utilizing eBooks for Skill Development
 - Exploring Educational eBooks
- 14. Embracing eBook Trends
 - Integration of Multimedia Elements
 - Interactive and Gamified eBooks

Yale Forklift Type Lp Repair Manual Introduction

In today's digital age, the availability of Yale Forklift Type Lp Repair Manual books and manuals for download has revolutionized the way we access information. Gone are the days of physically flipping through pages and carrying heavy textbooks or manuals. With just a few clicks, we can now access a wealth of knowledge from the comfort of our own homes or on the go. This article will explore the advantages of Yale Forklift Type Lp Repair Manual books and manuals for download, along with some popular platforms that offer these resources. One of the significant advantages of Yale Forklift Type Lp Repair Manual books and manuals for download is the cost-saving aspect. Traditional books and manuals can be costly, especially if you need to purchase several of them for educational or professional purposes. By accessing Yale Forklift Type Lp Repair Manual versions, you eliminate the need to spend money on physical copies. This not only saves you money but also reduces the environmental impact associated with book production and transportation. Furthermore, Yale Forklift Type Lp Repair Manual books and manuals for download are incredibly convenient. With just a computer or smartphone and an internet connection, you can access a vast library of resources on any subject imaginable. Whether you're a student looking for textbooks, a professional seeking industry-specific manuals, or someone interested in self-improvement, these digital resources provide an efficient and accessible means of acquiring knowledge. Moreover, PDF books and manuals offer a range of benefits compared to other digital formats. PDF files are designed to retain their formatting regardless of the device used to open them. This ensures that the content appears exactly as intended by the author, with no loss of formatting or missing graphics. Additionally, PDF files can be easily annotated, bookmarked, and searched for specific terms, making them highly practical for studying or referencing. When it comes to accessing Yale Forklift Type Lp Repair Manual books and manuals, several platforms offer an extensive collection of resources. One such platform is Project Gutenberg, a nonprofit organization that provides over 60,000 free eBooks. These books are primarily in the public domain, meaning they can be freely distributed and downloaded. Project Gutenberg offers a wide range of classic literature, making it an excellent resource for literature enthusiasts. Another popular platform for Yale Forklift Type Lp Repair Manual books and manuals is Open Library.

Open Library is an initiative of the Internet Archive, a non-profit organization dedicated to digitizing cultural artifacts and making them accessible to the public. Open Library hosts millions of books, including both public domain works and contemporary titles. It also allows users to borrow digital copies of certain books for a limited period, similar to a library lending system. Additionally, many universities and educational institutions have their own digital libraries that provide free access to PDF books and manuals. These libraries often offer academic texts, research papers, and technical manuals, making them invaluable resources for students and researchers. Some notable examples include MIT OpenCourseWare, which offers free access to course materials from the Massachusetts Institute of Technology, and the Digital Public Library of America, which provides a vast collection of digitized books and historical documents. In conclusion, Yale Forklift Type Lp Repair Manual books and manuals for download have transformed the way we access information. They provide a cost-effective and convenient means of acquiring knowledge, offering the ability to access a vast library of resources at our fingertips. With platforms like Project Gutenberg, Open Library, and various digital libraries offered by educational institutions, we have access to an ever-expanding collection of books and manuals. Whether for educational, professional, or personal purposes, these digital resources serve as valuable tools for continuous learning and self-improvement. So why not take advantage of the vast world of Yale Forklift Type Lp Repair Manual books and manuals for download and embark on your journey of knowledge?

FAQs About Yale Forklift Type Lp Repair Manual Books

1. Where can I buy Yale Forklift Type Lp Repair Manual books? Bookstores: Physical bookstores like Barnes & Noble, Waterstones, and independent local stores. Online Retailers: Amazon, Book Depository, and various online bookstores offer a wide range of books in physical and digital formats.
2. What are the different book formats available? Hardcover: Sturdy and durable, usually more expensive. Paperback: Cheaper, lighter, and more portable than hardcovers. E-books: Digital books available for e-readers like Kindle or software like Apple Books, Kindle, and Google Play Books.
3. How do I choose a Yale Forklift Type Lp Repair Manual book to read? Genres: Consider the genre you enjoy (fiction, non-fiction, mystery, sci-fi, etc.). Recommendations: Ask friends, join book clubs, or explore online reviews and recommendations. Author: If you like a particular author, you might enjoy more of their work.
4. How do I take care of Yale Forklift Type Lp Repair Manual books? Storage: Keep them away from direct sunlight and in a dry environment. Handling: Avoid folding pages, use bookmarks, and handle them with clean hands. Cleaning: Gently

- dust the covers and pages occasionally.
5. Can I borrow books without buying them? **Public Libraries:** Local libraries offer a wide range of books for borrowing. **Book Swaps:** Community book exchanges or online platforms where people exchange books.
 6. How can I track my reading progress or manage my book collection? **Book Tracking Apps:** Goodreads, LibraryThing, and Book Catalogue are popular apps for tracking your reading progress and managing book collections. **Spreadsheets:** You can create your own spreadsheet to track books read, ratings, and other details.
 7. What are Yale Forklift Type Lp Repair Manual audiobooks, and where can I find them? **Audiobooks:** Audio recordings of books, perfect for listening while commuting or multitasking. **Platforms:** Audible, LibriVox, and Google Play Books offer a wide selection of audiobooks.
 8. How do I support authors or the book industry? **Buy Books:** Purchase books from authors or independent bookstores. **Reviews:** Leave reviews on platforms like Goodreads or Amazon. **Promotion:** Share your favorite books on social media or recommend them to friends.
 9. Are there book clubs or reading communities I can join? **Local Clubs:** Check for local book clubs in libraries or community centers. **Online Communities:** Platforms like Goodreads have virtual book clubs and discussion groups.
 10. Can I read Yale Forklift Type Lp Repair Manual books for free? **Public Domain Books:** Many classic books are available for free as they're in the public domain. **Free E-books:** Some websites offer free e-books legally, like Project Gutenberg or Open Library.

Find Yale Forklift Type Lp Repair Manual :

zero motorcycles repair manual

zhiqing stories from china s special generation

[zimsec literature a level syllabus of 2015 set books](#)

[zf ecosplit 16s 2transmission repair manual](#)

zoey s christmas surprise bbw christmas holiday romance

[zrt 800 service manual](#)

zeus agrave la conquecircte de lolymp

zombie lover xanth 22 piers anthony

[zimsec o level reg 2015 deadline november](#)

[zimsec 2english paper 1](#)

[zumdahl-chemistry 9th edition publisher](#)
[zimsec 2011 november paper 1 economics](#)

[zulu poem umshado wanumahla](#)

[zimsec june2015 exams timetable](#)

zinn the impossible victory vietnam question answers

Yale Forklift Type Lp Repair Manual :

[what is strategic marketing management craft io](#) - Jun 19 2023

web what is strategic marketing management the history of strategic marketing management strategic marketing management has a long history and has seen a 3 phases of strategic marketing management the approach was primarily concerned with budgeting and control systems as marketing management

[marketing strategy what it is and how to create one coursera](#) - Apr 17 2023

web jun 15 2023 a marketing strategy is a long term vision outlining a business s value proposition to its customers rather than describing the concrete actions required in specific advertising campaigns marketing strategies are a

[marketing management what is it and why does it matter](#) - Mar 16 2023

web jun 16 2023 marketing management involves the strategic creation and implementation of an organization s marketing efforts people who work in marketing management act as liaisons between a company and its target consumer marketing management is important because it enables companies to

what is strategic marketing management airfocus - Oct 23 2023

web strategic marketing management the 9 steps of a strategic marketing plan now that you ve got a handle on the basics let s get a bit more tactical examples of strategic marketing the best way to learn is often to study those who ve made the strides you want to make the benefits of strategic

marketing strategy what it is how it works how to create one - May 18 2023

web may 15 2023 marketing strategy a marketing strategy is a business overall game plan for reaching people and turning them into customers of the product or service that the business provides the marketing

the role of strategic marketing management salesforce com - Sep 22 2023

web plan personalize segment and optimize the customer journey with email software from marketing cloud measure campaign roi using feedback from users in real time monitor effectiveness and plan for success learn to use strategic marketing management tools to make better decisions and create better campaigns

[strategic marketing management 9th edition google books](#) - Aug 21 2023

web jan 1 2018 strategic marketing management 9th edition outlines the essentials of marketing theory and offers a structured approach to identifying understanding and solving marketing problems

what is strategic marketing hubspot blog - Jul 20 2023

web apr 14 2021 1 planning phase the first stage of strategic marketing is the planning phase it s the most critical step as it is the basis of your efforts you ll want to identify your business purpose needs and the goals and objectives you want to accomplish as the entire process will help you achieve them

communication principles for a lifetime beebe steven a 1950 - May 28 2023

web communication principles for a lifetime by beebe steven a 1950 beebe susan j ivy diana k publication date 2004 topics communication communication publisher boston pearson a b

communication principles for a lifetime rent chegg - Nov 21 2022

web feb 20 2012 updated in its 5th edition communication principles for a lifetime helps readers see the relationships among the concepts skills theories and contexts of communication by anchoring the content around five *formats and editions of communication principles for a lifetime* - Jan 24 2023

web showing all editions for communication principles for a lifetime sort by format all formats 54 book 6 print book 48 ebook 6 refine your search year 2016 6 2010 4 2009 8 date edition publication 1 communication principles for a lifetime 1 communication principles for a lifetime by steven a beebe susan j

communication principles for a lifetime request pdf - Aug 19 2022

web feb 1 2009 a hospice director explains the guiding principles of communication that apply to these patients at each stage of their development request pdf on feb 1 2009 steven a beebe and others

[communication principles for a lifetime 5th edition download](#) - Jan 12 2022

web readings like this communication principles for a lifetime 5th edition download but end up in malicious downloads rather than enjoying a good book with a cup of tea in the afternoon instead they are facing with some infectious virus inside their computer communication principles for a lifetime 5th edition download is available in our

[communication principles for a lifetime global edition](#) - Feb 22 2023

web jul 21 2021 a five principles approach that helps students build practical communication skills reveal communication principles for a lifetime was designed to address the biggest challenge when

the five communication principles for a lifetime pdf scribd - Jul 18 2022

web 1 be aware of your communication much research has been done to try to break down interpersonal communication into a number of elements in order that it can be more easily understood commonly these elements include a the communicators for any communication to occur there must be at least two people involved

communication principles for a lifetime books a la carte edition 5th - Apr 26 2023

web apr 1 2012 updated in its 5 th edition communication principles for a lifetime helps readers see the relationships among the concepts skills theories and contexts of communication by anchoring the content around five

communication principles for a lifetime 8th edition - Mar 14 2022

web jul 9 2021 unit i principles of communication identifying foundations of human communication exploring self awareness and communication understanding verbal messages understanding nonverbal messages listening and responding adapting to others diversity and communication unit ii interpersonal

communication principles for a lifetime 7th edition pearson - Sep 19 2022

web jan 10 2018 social sciences communication introduction to speech communication communication principles for a lifetime i m a student i m an educator communication principles for a lifetime 7th edition published by pearson january 9

2018 2019 steven a beebe texas state university san marcos susan j beebe texas state

communication principles for a lifetime google books - Jul 30 2023

web pearson 2013 communication 470 pages updated in its 5th edition communication principles for a lifetime helps readers see the relationships among the concepts skills theories and

communication principles for a lifetime 8th edition pearson - Mar 26 2023

web jul 8 2021 learn engage find my pearson rep returns technical support support for students support for educators social sciences introduction to speech communication communication principles for a lifetime

communication principles for a lifetime 5th edition - Aug 31 2023

web mar 1 2012 updated in its 5th edition communication principles for a lifetime helps readers see the relationships among the concepts skills theories and contexts of communication by anchoring the content around five

communication principles for a lifetime 5th edition beebe test - Feb 10 2022

web apr 7 2019 the contents or parts thereof may be reproduced with communication principles for a lifetime fifth edition by steven a beebe susan j beebe and diana k ivy provided such

communication principles for a lifetime 5th edition pdf ams - Apr 14 2022

web 2 communication principles for a lifetime 5th edition 2023 03 14 influences interaction with others the lens through which people in a given culture perceive the world around

communication principles for a lifetime kindle edition by beebe - Dec 23 2022

web jan 10 2018 communication principles for a lifetime kindle edition by beebe steven a beebe susan j ivy diana k download it once and read it on your kindle device pc phones or tablets use features like bookmarks note taking and highlighting while reading communication principles for a lifetime

communication principles for a lifetime chapter 1 flashcards - May 16 2022

web created using communication principles for a lifetime fifth edition learn with flashcards games and more for free
principles for a lifetime pearson - Jun 28 2023

web communication principles for a lifetime seventh edition steven a beebe texas state university susan j beebe texas state university diana k ivy texas a m university corpus christi a01 beeb3528 07 se fm indd 3 10 26 17 6 21 pm

communication principles of a lifetime 5th edition flashcards - Oct 21 2022

web sep 20 2023 what are the five fundamental principles of communication i be aware of your communication with yourself and others ii effectively use and interpret verbal messages iii effectively use and interpret non verbal messages iv listen and respond thoughtfully o others v appropriately adapt messages to others

communication principles for a lifetime rental edition - Jun 16 2022

web apr 1 2021 communication principles for a lifetime books a la carte edition 5th edition 5th edition by beebe steven a beebe susan j ivy diana k 2012 loose leaf 4 4 out of 5 stars 137 loose leaf

103 things to do before during or after reading - Nov 09 2022

web this article offers a collection of interactive activities that help kids become more involved in the stories that they read home reading topics a z activities 103 things to do before during or after reading

using a text while reading activities premier skills english - Jul 17 2023

web using a text while reading activities these are activities which are designed to help your students to experience the text holistically as we do in the first language rather than to study it discretely as students usually do in a foreign language
during reading activities sea supporting english acquisition - Sep 07 2022

web incorporating reading and writing activities into content area courses before reading activities during reading activities after reading activities other activities vocabulary building ideas paragraph structure basic essay structure introductory and concluding paragraphs reference words expressing logical relationships logical

5 powerful while reading activities utilize ambience and - Aug 18 2023

web these enriched and eclectic while reading activities will surely help your students optimize their reading comprehension at the same time develop their love for poetry to cap off reading meaningfully check out our next blog post on cool down post reading activities

when while exercises and reading comprehension questions - Jan 31 2022

web when or while level elementary age 10 100 downloads 135 when while level intermediate age 11 17 downloads 128 when while level elementary age 10 17 downloads 122 when while level elementary age 9 100 downloads 144 live worksheets worksheets that listen worksheets that speak worksheets that

10 activities to increase understanding while reading - May 15 2023

web apr 22 2022 actively engaging students while they read is a great way to boost their understanding of a text here are 10 while reading activities to try in your classroom today

during reading activities opepp - Aug 06 2022

web activities during reading have two main purposes first they increase students understanding of the text second they enable the teacher or parapro to check if students understand what they are reading and in which areas students need help or support

what to do while reading excelsior owl - Dec 10 2022

web this section covers several strategies to become an active reader such as annotating making inferences and building your vocabulary click on one of the areas below to learn more annotating learn how to engage texts by annotating while you read creating an annotation system annotating while you read is the most fundamental technique of

what is while listening or while reading - Apr 02 2022

web sep 22 2017 while listening or while reading is a stage or group of stages frequently found in lessons that aim at helping students develop receptive skills such as listening or reading this is the moment where students are actually exposed to the recorded or written text more than simply listening or reading the text however it is important that

okuduğunu anlamada okuma alıştırmalarının önemi dergipark - Jun 04 2022

web reading activities play an important role in reading comprehension for creating and constructing the meaning in written text many researchers give importance to pre reading while reading and post reading activities in order to promote students reading comprehension 2

3 stages for teaching reading englishpost org - Jan 11 2023

web jul 6 2023 pre reading stage while reading stage post reading stage reading lesson pre reading pre reading activities are activities that help students think about what they know about a topic and predict what they will read or hear the purpose of pre reading activities is to establish a purpose for reading

reading lessons at different levels cambridge english - Mar 13 2023

web sep 14 2021 what are different ideas for while reading activities at higher levels course books usually provide an array of while reading activities these include tasks such as comprehension questions true false statements multichoice questions sentences completion and note taking

vol 5 no 1 april 2009 language in reading classes with - Jul 05 2022

web while reading during through reading exercises help students develop reading strategies improve their control of the foreign language and decode problematic text passages helping students to employ strategies while reading can be difficult

because individual students control and need different strategies nevertheless the teacher can

what to do when reading a book 8 while reading activities - Apr 14 2023

web nov 3 2021 while reading activities keep you focused and engaged you re not simply surfing through the text you have goals you actively search for the main ideas the author is sharing and regularly stop to reflect on the material think about how what you re reading can be applied to your life

the importance of while reading learning experiences - May 03 2022

web while reading learning experiences are activities that help learners concentrate on facets of the content and to understand it better the objective of these activities is to help learners to read as they would read if the content were written in their first language

11 examples of while reading activities englishpost org - Sep 19 2023

web jul 6 2023 while reading activities are defined as activities that help students focus on aspects of the text and to understand it better the goal of these activities is to help learners to deal as they would deal with it as if the text was written in their first language

25 activities for reading and writing fun reading rockets - Mar 01 2022

web activity 1 books and babies babies love to listen to the human voice what better way than through reading what you ll need some books written especially for babies books made of cardboard or cloth with flaps to lift and holes to peek through what to do start out by singing lullabies and folk songs to your baby

making reading communicative teachingenglish british council - Feb 12 2023

web reading the middle predicting the beginning and the end while reading tasks although reading is often a solitary activity and the idea of reading in pairs seems odd reading can be collaborative approaches i use include

while reading activities teaching english as a foreign - Jun 16 2023

web during lessons students must be involved in activities which enable them to respond cognitively emotionally and imaginatively to imaginative writing several of the activities found in this section can be adapted for use in the section ideas for after the reading and vice versa activity 1

teaching reading and writing teachingenglish - Oct 08 2022

web explain how conducting specific tasks before during and after reading will support learners in reading full texts identify a number of appropriate pre reading during and post reading activities that will prepare learners to read and comprehend full texts